

US00D829355S

(12) **United States Design Patent**
Li

(10) **Patent No.:** **US D829,355 S**

(45) **Date of Patent:** **** Sep. 25, 2018**

(54) **CLIP LAMP**

D670,845 S * 11/2012 Hsu D26/60
D694,448 S * 11/2013 Li D26/62
D776,850 S * 1/2017 Hodgson D26/62

(71) Applicant: **Fanhao Li**, Shenzhen (CN)

* cited by examiner

(72) Inventor: **Fanhao Li**, Shenzhen (CN)

Primary Examiner — Brian N. Vinson

(**) Term: **15 Years**

(74) *Attorney, Agent, or Firm* — Gokalp Bayramoglu

(21) Appl. No.: **29/616,725**

(22) Filed: **Sep. 8, 2017**

(51) **LOC (11) Cl.** **26-03**

(52) **U.S. Cl.**
USPC **D26/62**

(58) **Field of Classification Search**

USPC D26/1, 24, 61, 62, 72, 93, 106, 110
CPC F21S 6/00; F21S 6/002; F21S 6/003; F21S
6/004; F21S 6/005; F21S 6/006; F21S
6/007; F21V 21/02; F21V 21/088; F21W
2121/00; F21W 2131/30

See application file for complete search history.

(56) **References Cited**

U.S. PATENT DOCUMENTS

4,238,816 A * 12/1980 Merlo F21S 6/003
362/279
D290,519 S * 6/1987 Kuo D26/60

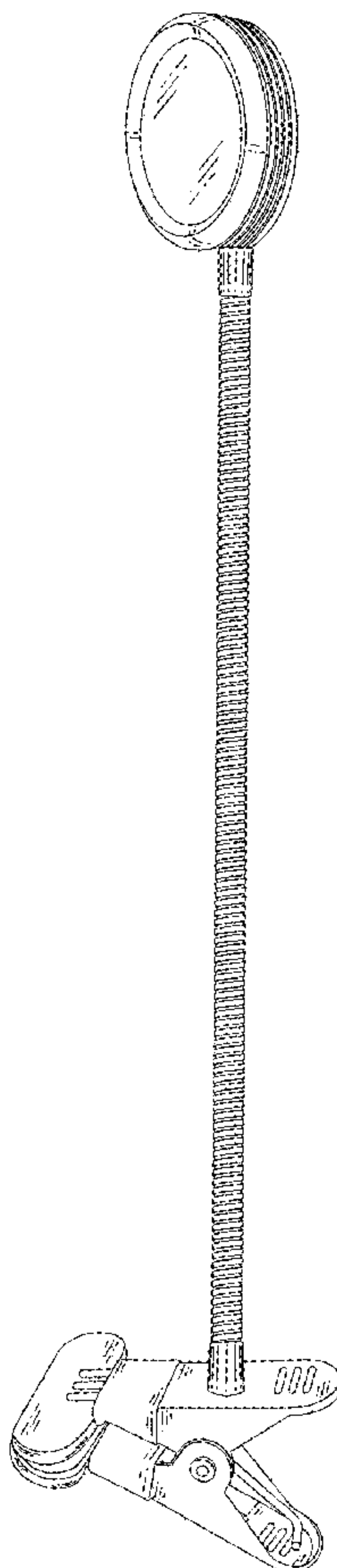
(57) **CLAIM**

The ornamental design for a clip lamp, as shown and described.

DESCRIPTION

FIG. 1 is a perspective view of a clip lamp showing my new design;
FIG. 2 is a front view thereof;
FIG. 3 is a rear view thereof;
FIG. 4 is a top view thereof;
FIG. 5 is a bottom view thereof;
FIG. 6 is a left side view thereof; and,
FIG. 7 is a right side view thereof.
The broken line disclosure depicts portions of the clip lamp which form no part of the claimed design.

1 Claim, 7 Drawing Sheets



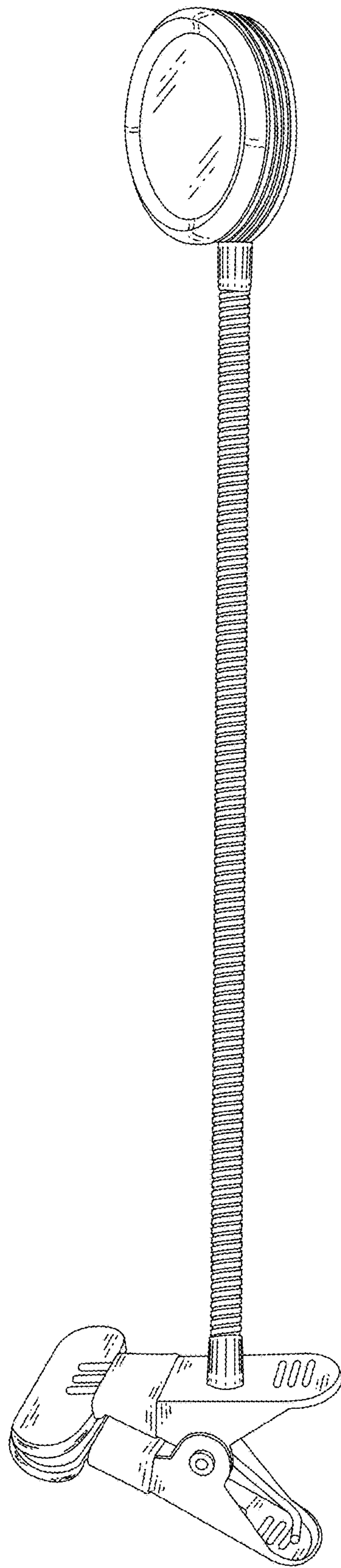


Figure 1

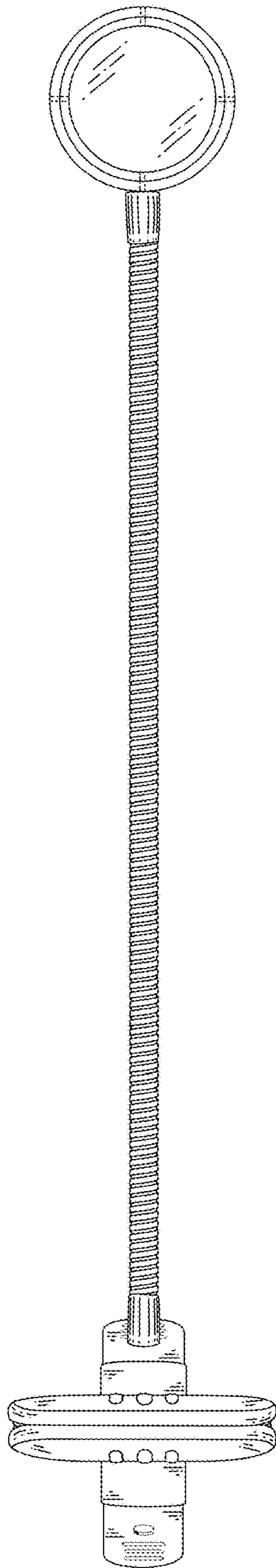


Figure 2

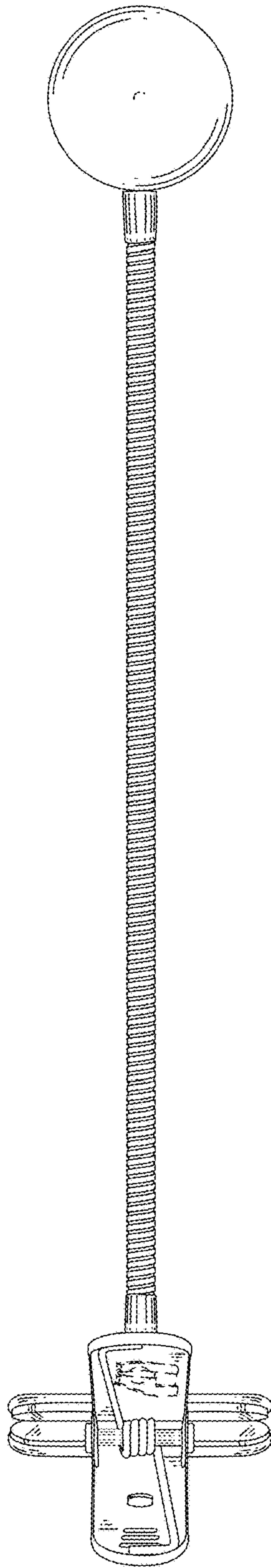


Figure 3

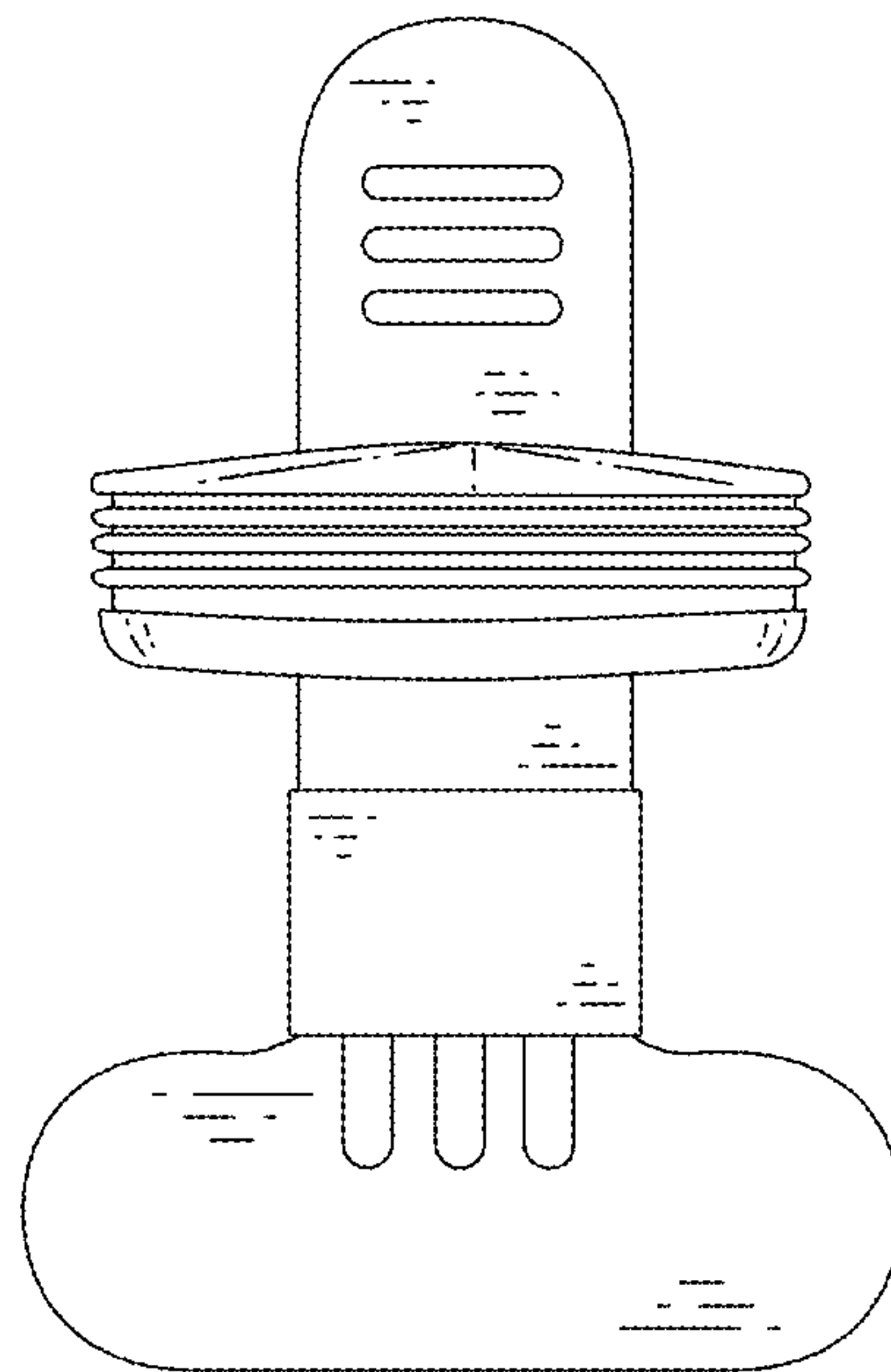


Figure 4

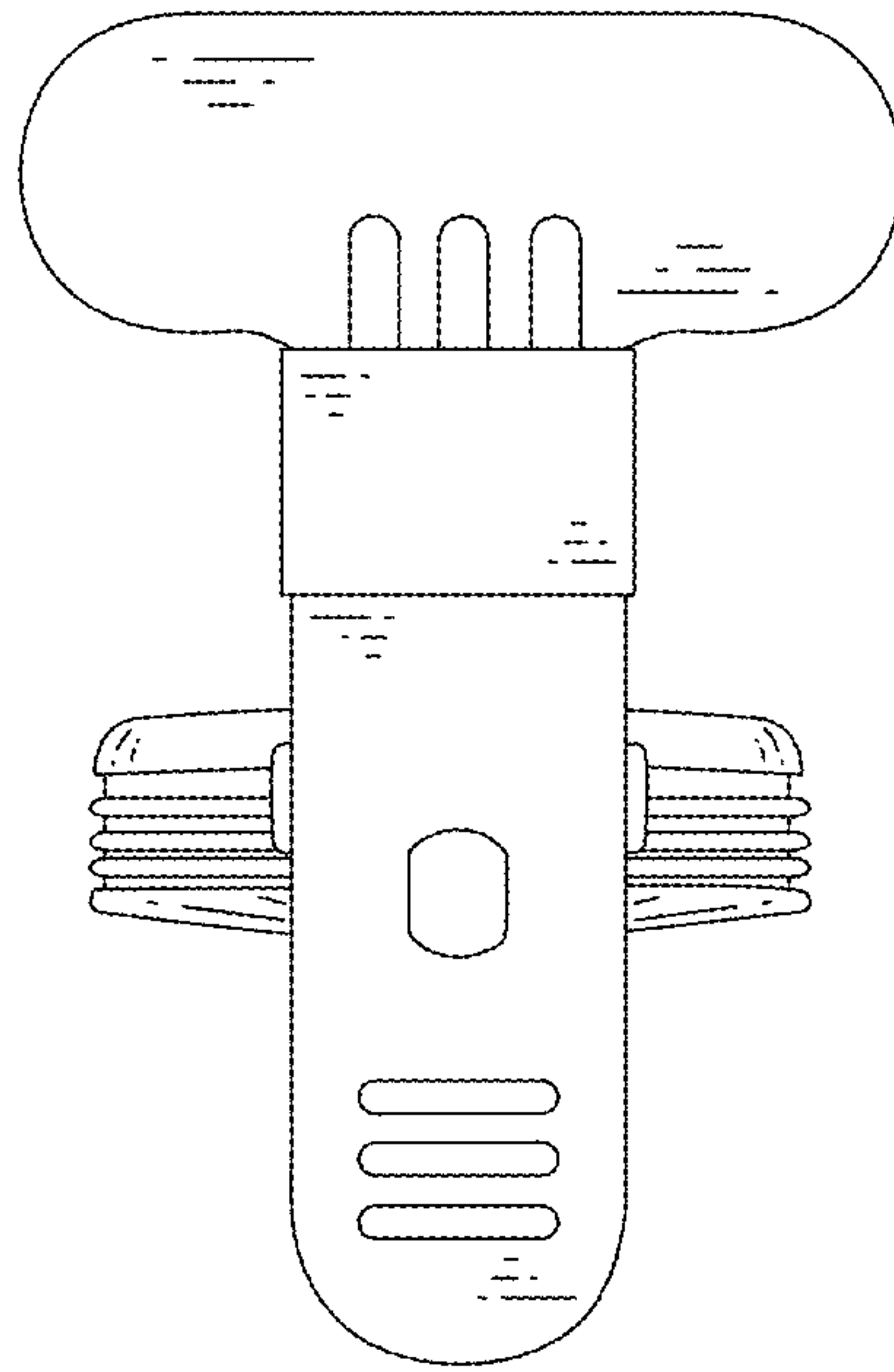


Figure 5

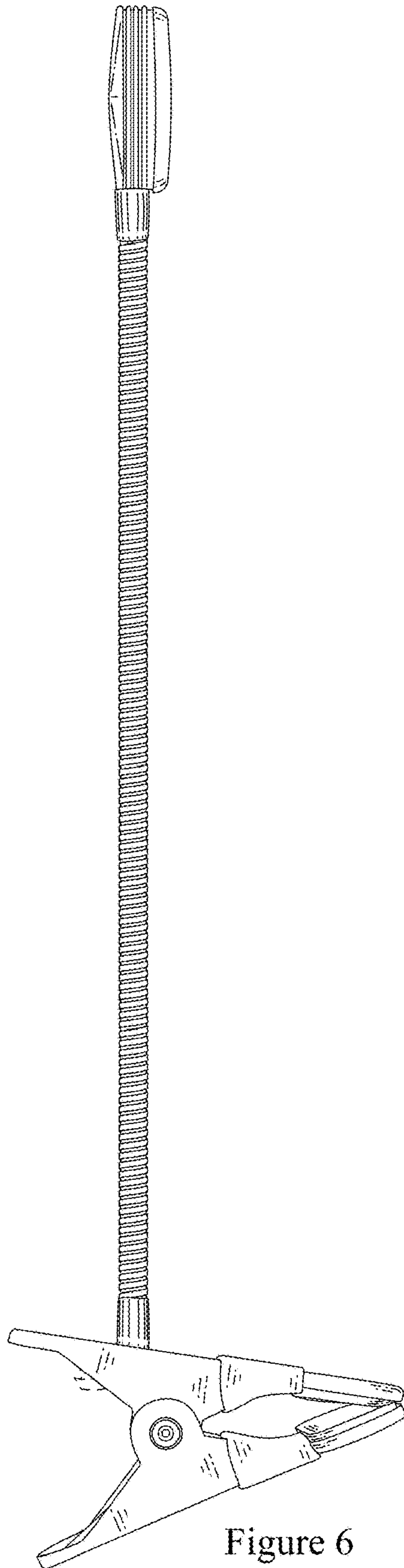


Figure 6

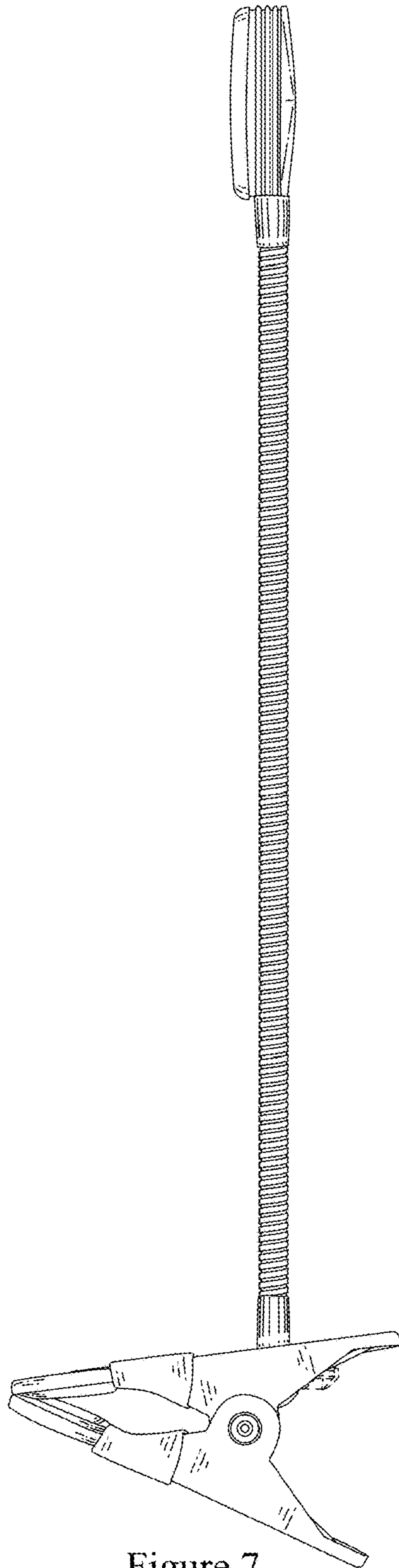


Figure 7