



US00D829354S

(12) **United States Design Patent** (10) **Patent No.:** **US D829,354 S**  
**Cacciabeve** (45) **Date of Patent:** **\*\* Sep. 25, 2018**

(54) **PORTABLE LIGHT**  
(71) Applicant: **Walter R. Tucker Enterprises, Ltd.**,  
Deposit, NY (US)  
(72) Inventor: **Robert Cacciabeve**, Boonton, NJ (US)  
(73) Assignee: **Walter R. Tucker Enterprises, Ltd.**,  
Deposit, NY (US)  
(\*\*) Term: **15 Years**  
(21) Appl. No.: **29/588,664**  
(22) Filed: **Dec. 22, 2016**  
(51) **LOC (11) Cl.** ..... **26-02**  
(52) **U.S. Cl.**  
USPC ..... **D26/37**  
(58) **Field of Classification Search**  
USPC ..... D26/37, 38, 42, 44, 46, 51, 63  
CPC ..... F21L 2003/00; F21L 4/00; F21L 4/005;  
F21L 4/02; F21L 4/025; F21L 4/027;  
F21L 4/04; F21L 4/08; F21L 2005/00;  
F21L 7/00; F21L 11/00; F21L 13/00;  
F21L 13/04; F21L 13/08; F21L 14/02;  
F21L 17/00  
See application file for complete search history.

D527,479 S 8/2006 Poucki  
D539,951 S \* 4/2007 Qui ..... D26/37  
D543,301 S 5/2007 Chen  
D553,771 S 10/2007 Watson et al.  
D604,435 S 11/2009 Kingston et al.  
D606,691 S 12/2009 Lindholm  
D608,938 S 1/2010 Schmitt et al.  
D627,091 S \* 11/2010 Zhang ..... D26/37  
D629,561 S 12/2010 Kim et al.  
D630,374 S 1/2011 Leen  
7,932,528 B2 4/2011 Tessnow  
D639,465 S \* 6/2011 Abernethy ..... D26/24  
D647,229 S 10/2011 Ma  
D648,054 S 11/2011 Zhuang  
D651,731 S 1/2012 Xu  
D657,484 S 4/2012 Wu  
D679,434 S 4/2013 Conroy  
D691,310 S 10/2013 Zhou et al.  
D695,434 S 12/2013 Shen  
D698,960 S 2/2014 Wu

(Continued)

*Primary Examiner* — Karen E Kearney  
*Assistant Examiner* — Carissa C Fitts  
(74) *Attorney, Agent, or Firm* — Breiner & Breiner,  
L.L.C.

(57) **CLAIM**

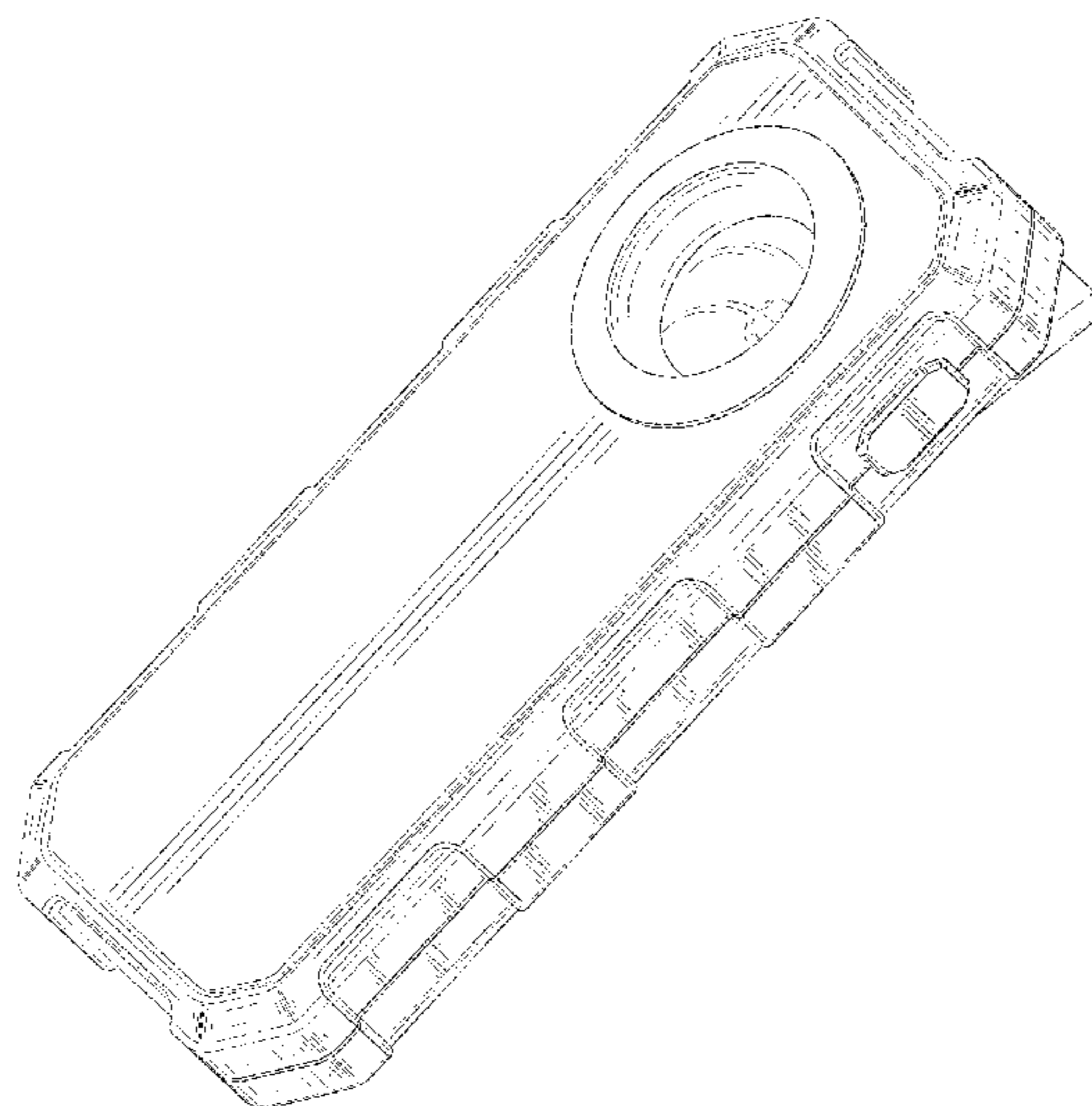
The ornamental design for a portable light, as shown and described.

**DESCRIPTION**

FIG. 1 is a front and side elevational perspective view of the portable light;  
FIG. 2 is a front view of the light;  
FIG. 3 is a first side view of the light;  
FIG. 4 is a second side view of the light;  
FIG. 5 is a rear view of the light;  
FIG. 6 is a top view of the light; and,  
FIG. 7 is a bottom end view of the light.  
The broken line showing is for environmental purposes only and forms no part of the claimed design.

**1 Claim, 5 Drawing Sheets**

(56) **References Cited**  
U.S. PATENT DOCUMENTS  
D217,638 S 5/1970 Magi  
D316,305 S 4/1991 Court  
D355,272 S 2/1995 Chabria  
D362,816 S 10/1995 Yuen  
5,469,345 A 11/1995 Pettersen et al.  
5,720,543 A 2/1998 Sheps  
D397,465 S 8/1998 Youri  
D438,667 S 3/2001 Leen  
D441,491 S 5/2001 Leen  
D469,212 S 1/2003 Chiu  
6,629,771 B2 10/2003 Chiu  
D525,536 S 7/2006 Chan



(56)

**References Cited**

U.S. PATENT DOCUMENTS

D699,378 S *	2/2014	DiLuciano .....	D26/37
D702,865 S	4/2014	Yuen	
D706,478 S	6/2014	Yuen	
D731,988 S	6/2015	Urtiga et al.	
D732,220 S	6/2015	Bao	
D735,387 S	7/2015	Bao	
D738,022 S	9/2015	Shen	
D742,058 S	10/2015	Chen	
D744,139 S	11/2015	Itoh et al.	
D748,448 S	2/2016	Nelson	
D753,855 S	4/2016	Cacciabeve	
D779,092 S *	2/2017	Xu .....	D26/37
D781,470 S *	3/2017	Hsieh .....	D26/24
D787,728 S *	5/2017	Wing .....	D26/37
2006/0087846 A1	4/2006	Yuen	
2007/0115674 A1	5/2007	Tessnow	
2013/0241435 A1	9/2013	Lamvik et al.	
2014/0126192 A1	5/2014	Ancona et al.	
2014/0313706 A1	10/2014	Itoh et al.	
2015/0263239 A1	9/2015	Watanabe	

\* cited by examiner

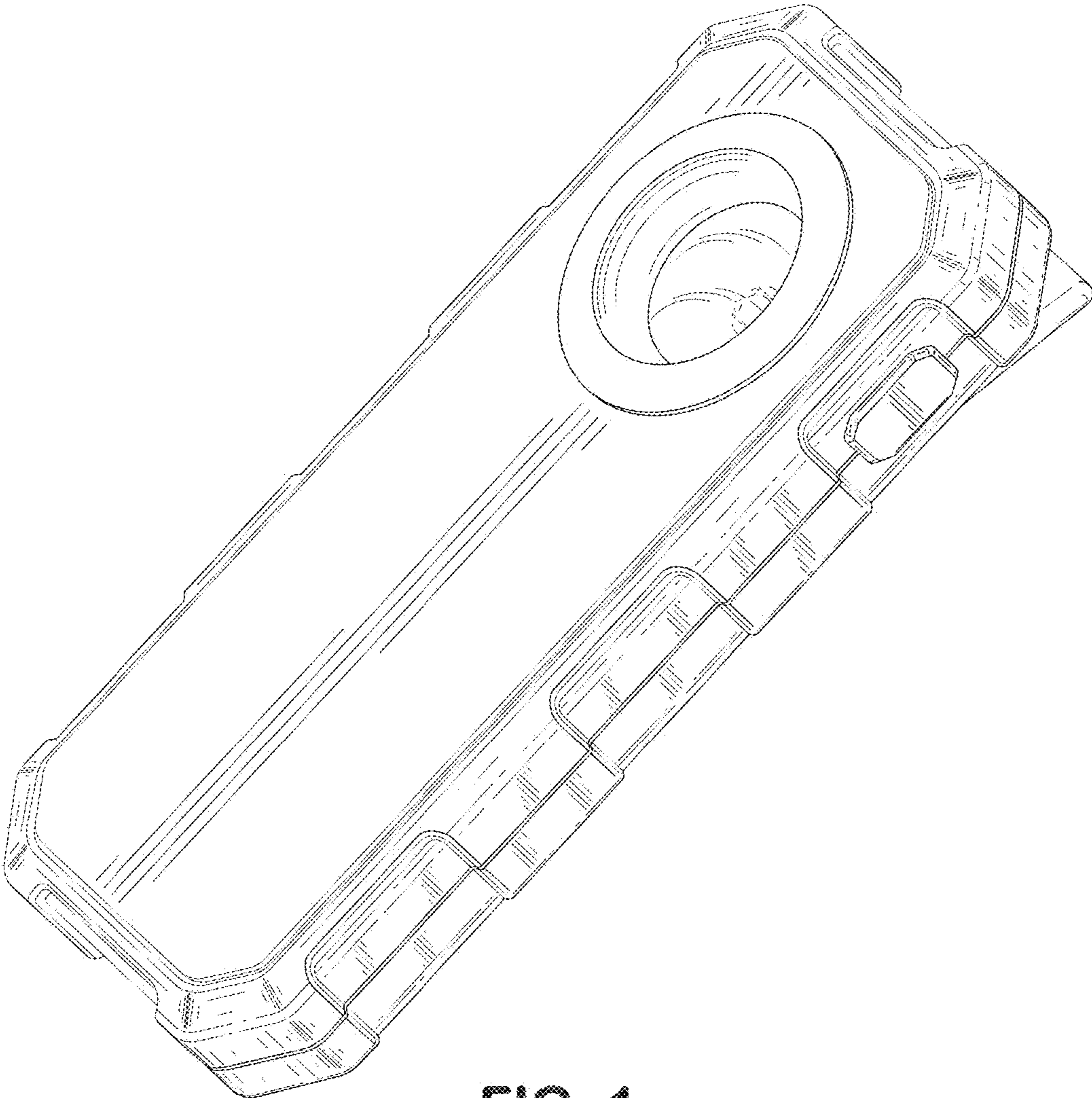
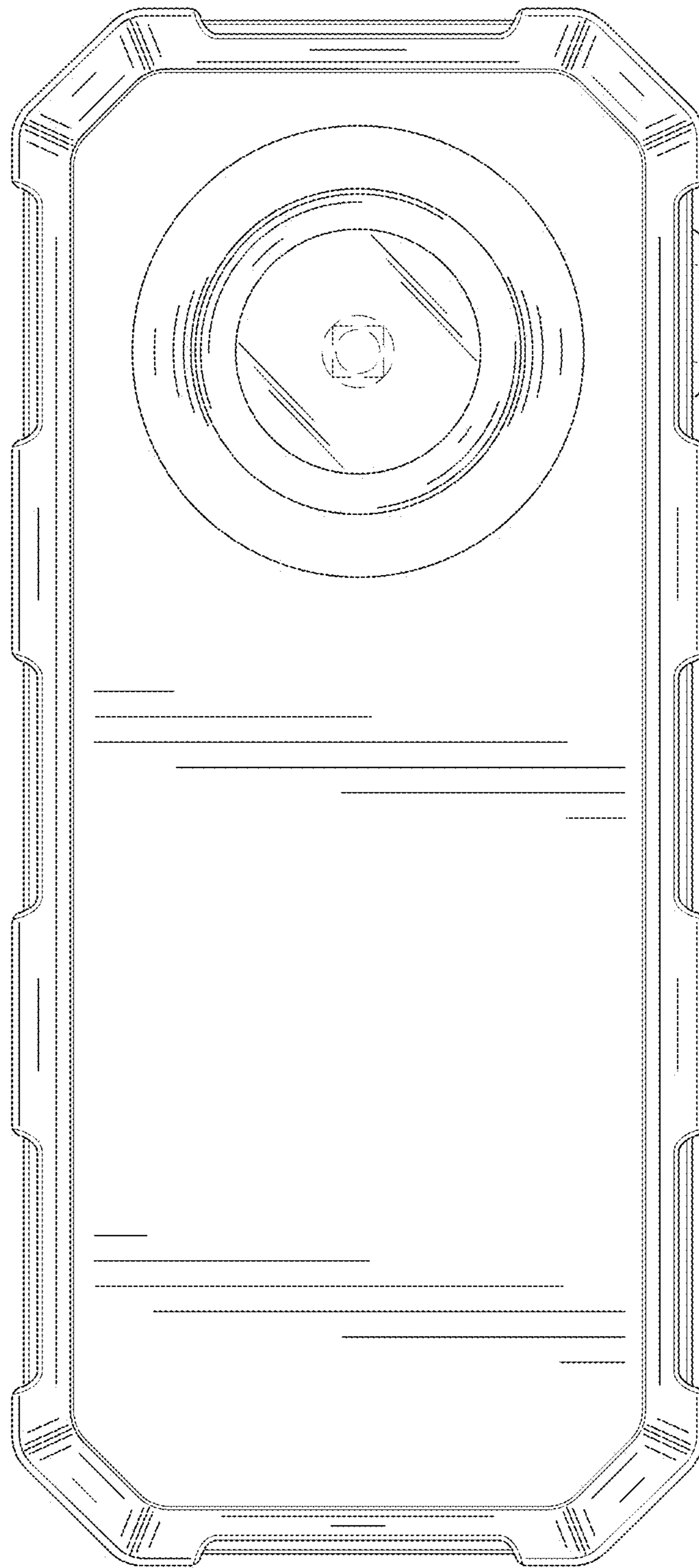


FIG. 1



**FIG. 2**



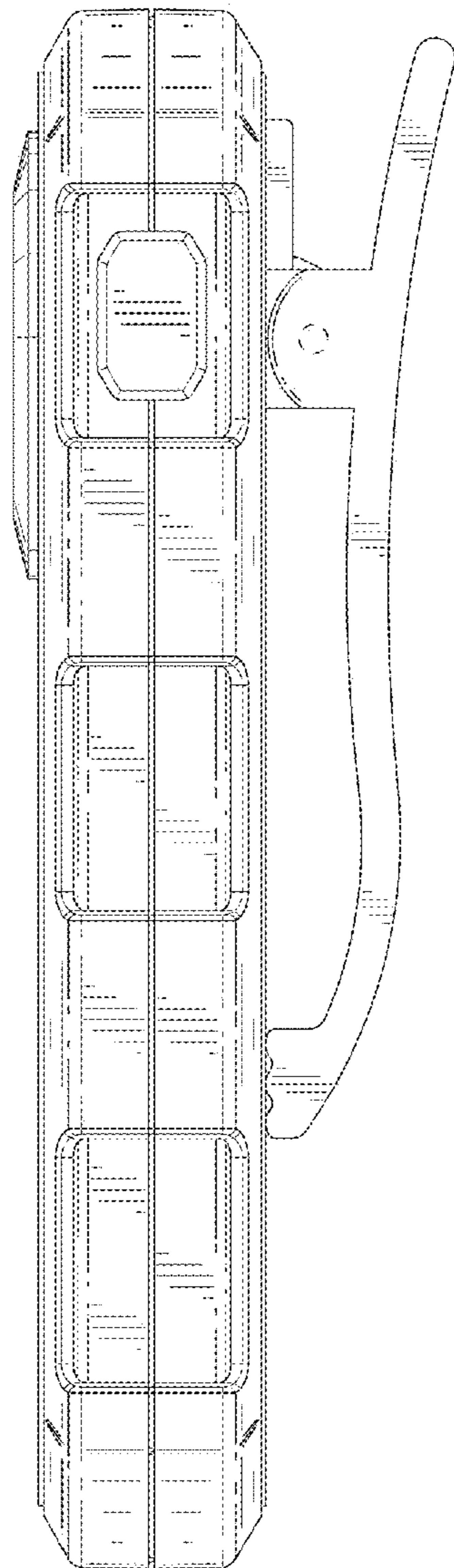


FIG. 3

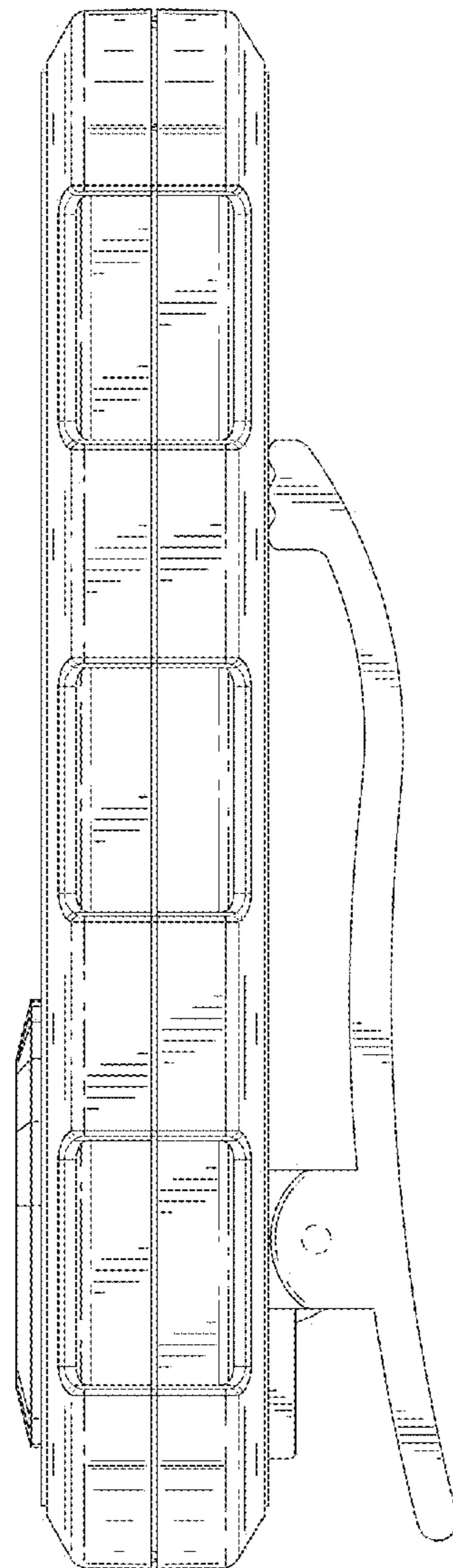


FIG. 4

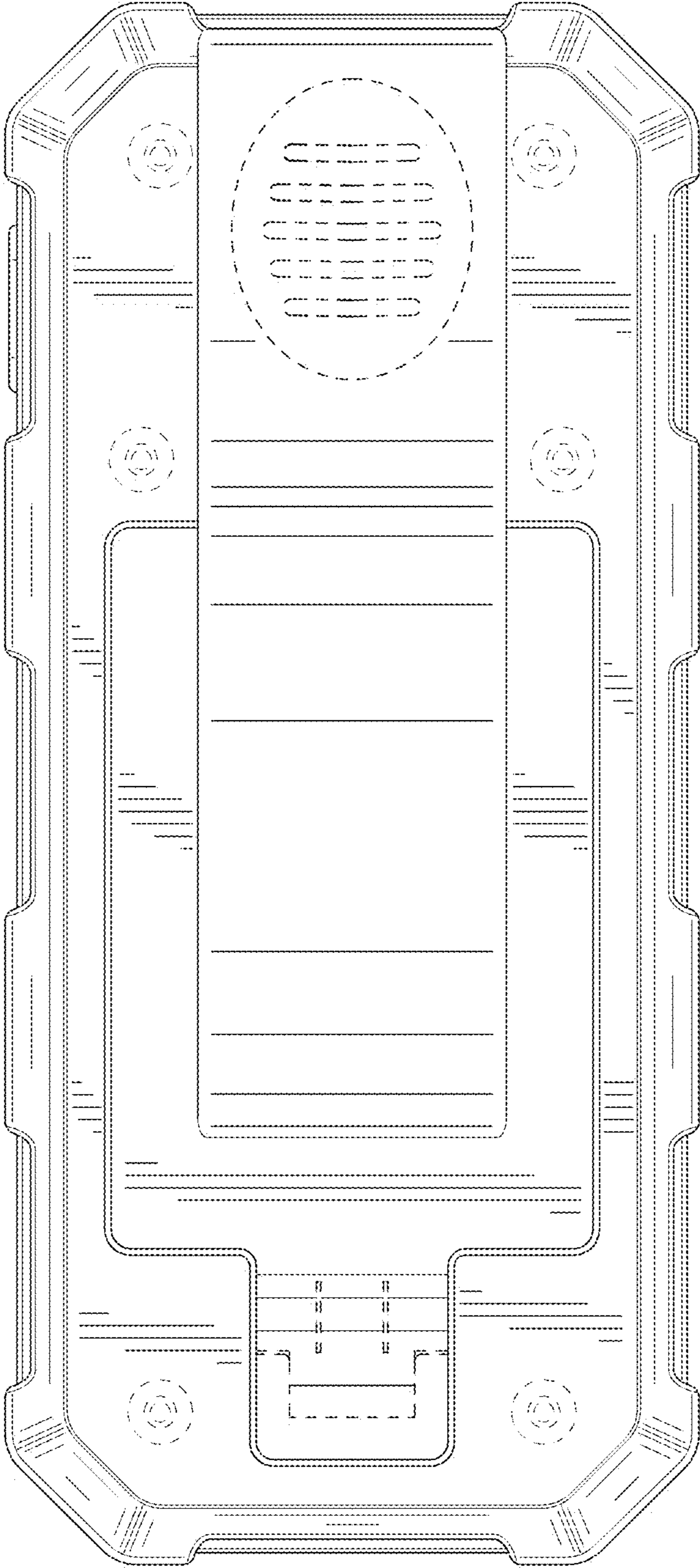
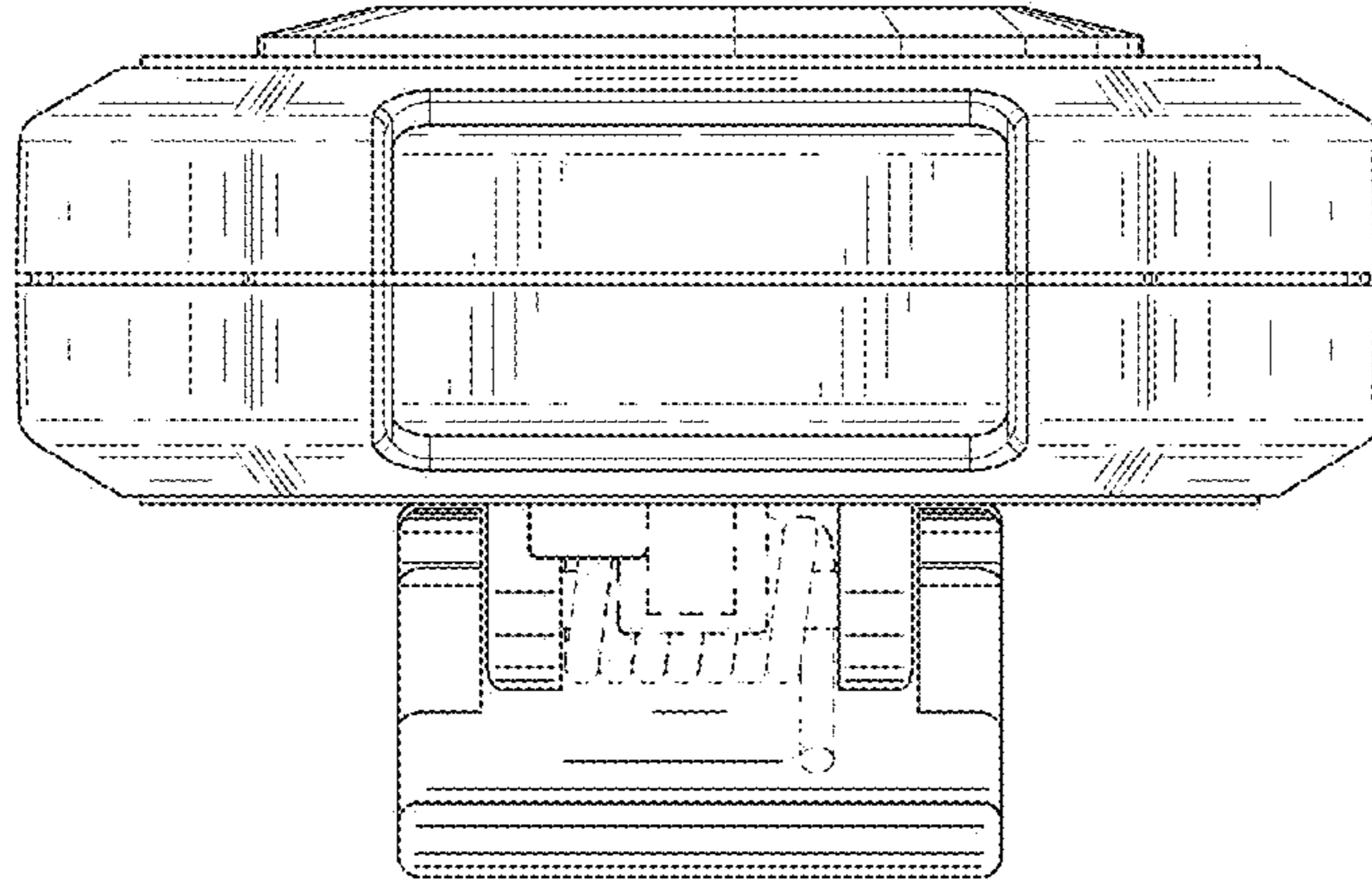
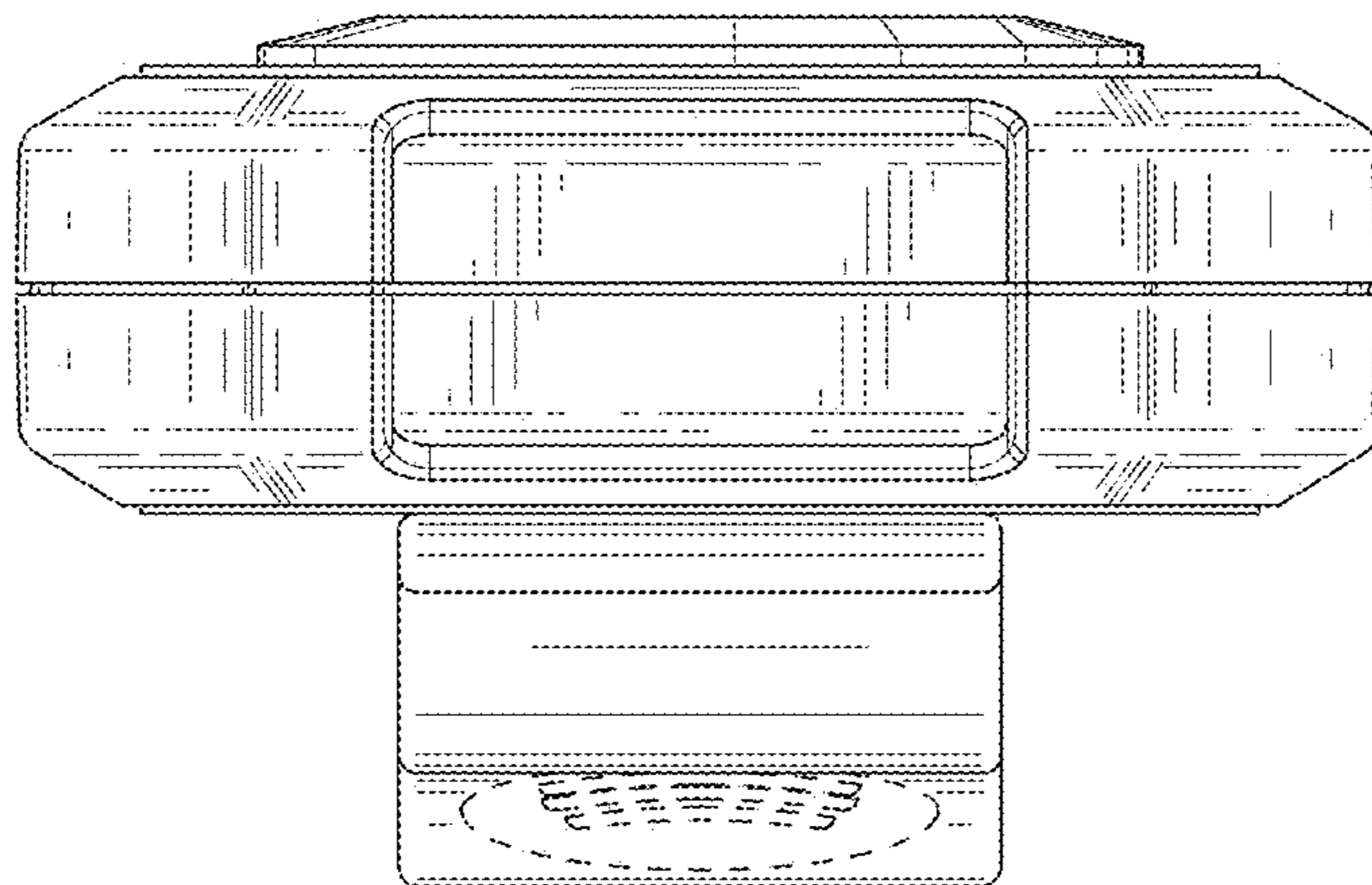


FIG. 5



**FIG. 6**



**FIG. 7**