



US00D829353S

(12) **United States Design Patent** (10) **Patent No.:** **US D829,353 S**
Tsai (45) **Date of Patent:** **** Sep. 25, 2018**

- (54) **MULTI-FUNCTION VEHICLE CIRCULAR LIGHT ASSEMBLY**
- (71) Applicant: **Optronics International, LLC**, Tulsa, OK (US)
- (72) Inventor: **Kevin Tsai**, Tainan (TW)
- (73) Assignee: **Optronics International, LLC**, Tulsa, OK (US)
- (**) Term: **15 Years**
- (21) Appl. No.: **29/558,849**
- (22) Filed: **Mar. 22, 2016**
- (51) **LOC (11) Cl.** **26-06**
- (52) **U.S. Cl.**
USPC **D26/28**
- (58) **Field of Classification Search**
USPC D26/28-36
CPC F21L 2003/00; F21L 4/00; F21L 4/005;
F21L 4/02; F21L 4/025; F21L 4/027;
F21L 4/04; F21L 4/08; F21L 2005/00;
F21L 7/00; F21L 11/00; F21L 13/00;
F21L 13/04; F21L 13/08; F21L 14/02;
F21L 17/00; F21L 19/00
See application file for complete search history.

D492,804 S *	7/2004	Horowitz	D26/28
D551,786 S	9/2007	Smith		
D570,012 S *	5/2008	Huang	D26/28
D578,677 S *	10/2008	Huang	D26/28
D592,330 S *	5/2009	Huang	D26/28
D592,778 S *	5/2009	Chang	D26/28
D617,474 S *	6/2010	Huang	D26/2
D646,826 S	10/2011	Smith		
D660,506 S *	5/2012	McMahan	D26/118
D693,035 S *	11/2013	Datz	D26/28
D699,873 S	2/2014	Tsai et al.		
D709,221 S	7/2014	Tsai et al.		
D711,564 S	8/2014	Chou et al.		
D711,565 S	8/2014	Tsai et al.		
D712,076 S *	8/2014	Haumann	D26/28
D715,469 S	10/2014	Chou et al.		
D715,976 S *	10/2014	Chou	D26/28
9,062,845 B1	6/2015	Tsai et al.		
D736,437 S	8/2015	Yeh		
D745,713 S *	12/2015	Hansen	D26/28

(Continued)

Primary Examiner — Lakiya G Rogers
Assistant Examiner — Carissa C Fitts
(74) *Attorney, Agent, or Firm* — Head, Johnson, Kachigian & Wilkinson, PC

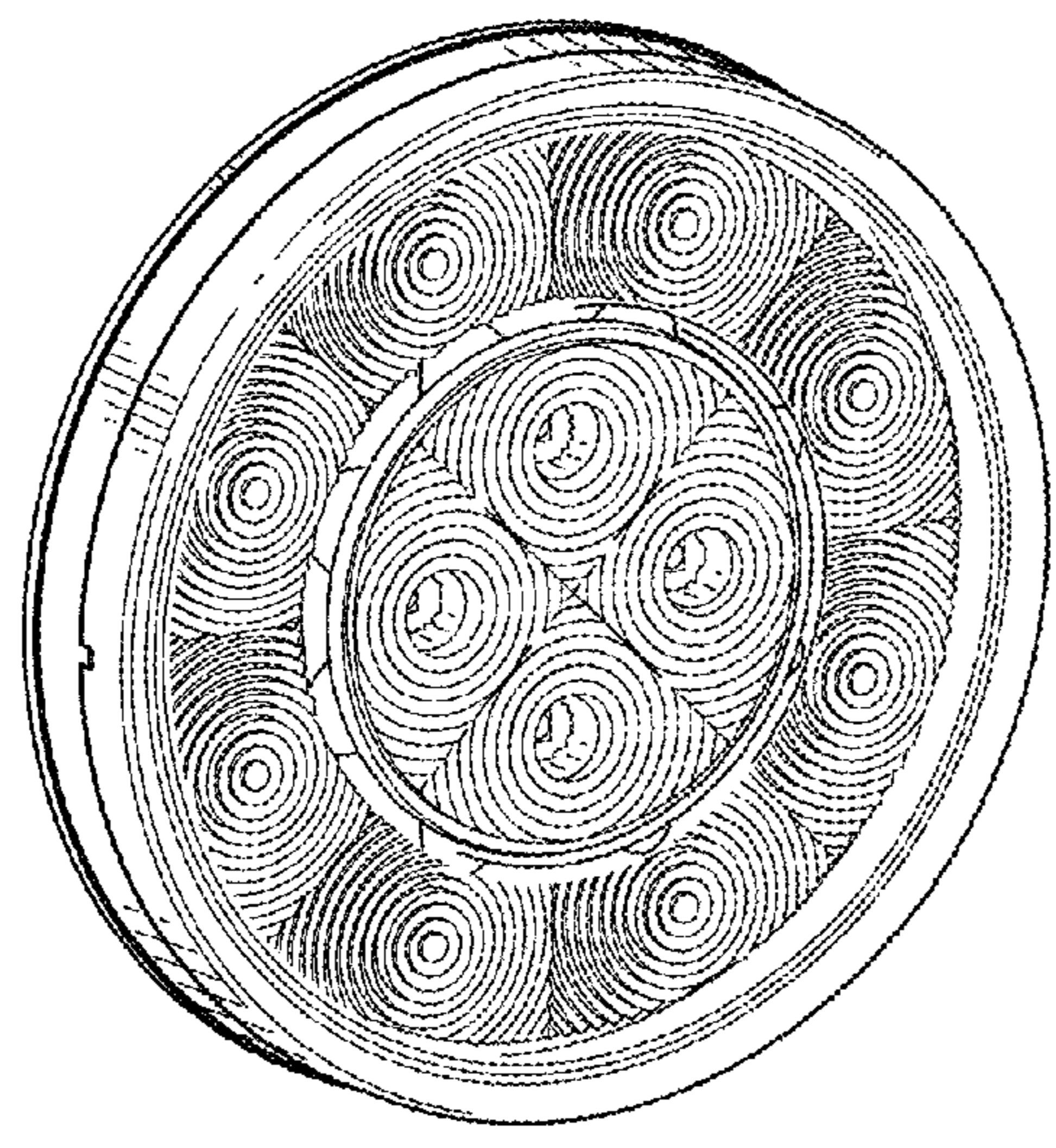
(57) **CLAIM**
The ornamental design for a multi-function vehicle circular light assembly, as shown and described.

DESCRIPTION

FIG. 1 is a front perspective view of a multi-function vehicle circular light assembly of the present invention; FIG. 2 is a rear perspective view thereof; FIG. 3 is a front view thereof; FIG. 4 is a rear view thereof; FIG. 5 is a right side view thereof; FIG. 6 is a left side view thereof; and, FIG. 7 is a top view thereof, the bottom view being a mirror image thereof.

1 Claim, 3 Drawing Sheets

- (56) **References Cited**
U.S. PATENT DOCUMENTS
- D358,674 S 5/1995 Ramsey
- D382,659 S 8/1997 Kaloustian
- D393,729 S 4/1998 Tuttle
- D401,368 S * 11/1998 Baader D26/28
- D412,370 S 7/1999 Cece
- D417,027 S 11/1999 Cece
- D420,302 S 2/2000 Barnhart
- D424,732 S 5/2000 Cece
- D461,265 S * 8/2002 Hill D26/36
- 6,502,975 B1 1/2003 Branstetter



(56)

References Cited

U.S. PATENT DOCUMENTS

D745,720 S	12/2015	Chang	
D745,721 S	12/2015	Smith	
D745,722 S	12/2015	Smith	
D748,831 S *	2/2016	Fan	D26/28
D763,491 S *	8/2016	Tsai	D26/28
D782,084 S *	3/2017	Huang	D26/28
D790,094 S *	6/2017	Ko	D26/28
D793,589 S *	8/2017	Deyaf	D26/28
2002/0024822 A1 *	2/2002	Pond	B60Q 1/2607 362/555

* cited by examiner

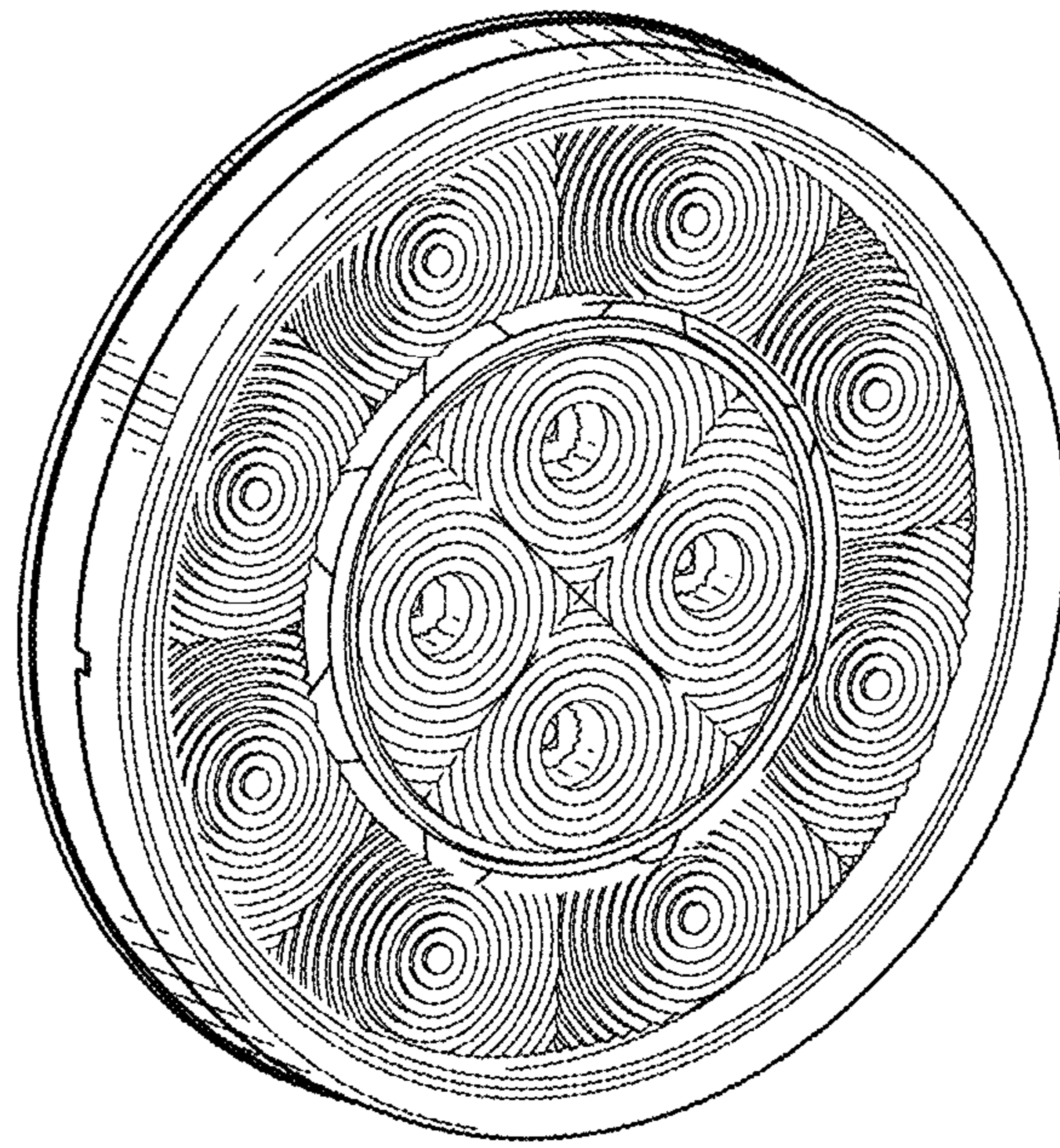


FIG. 1

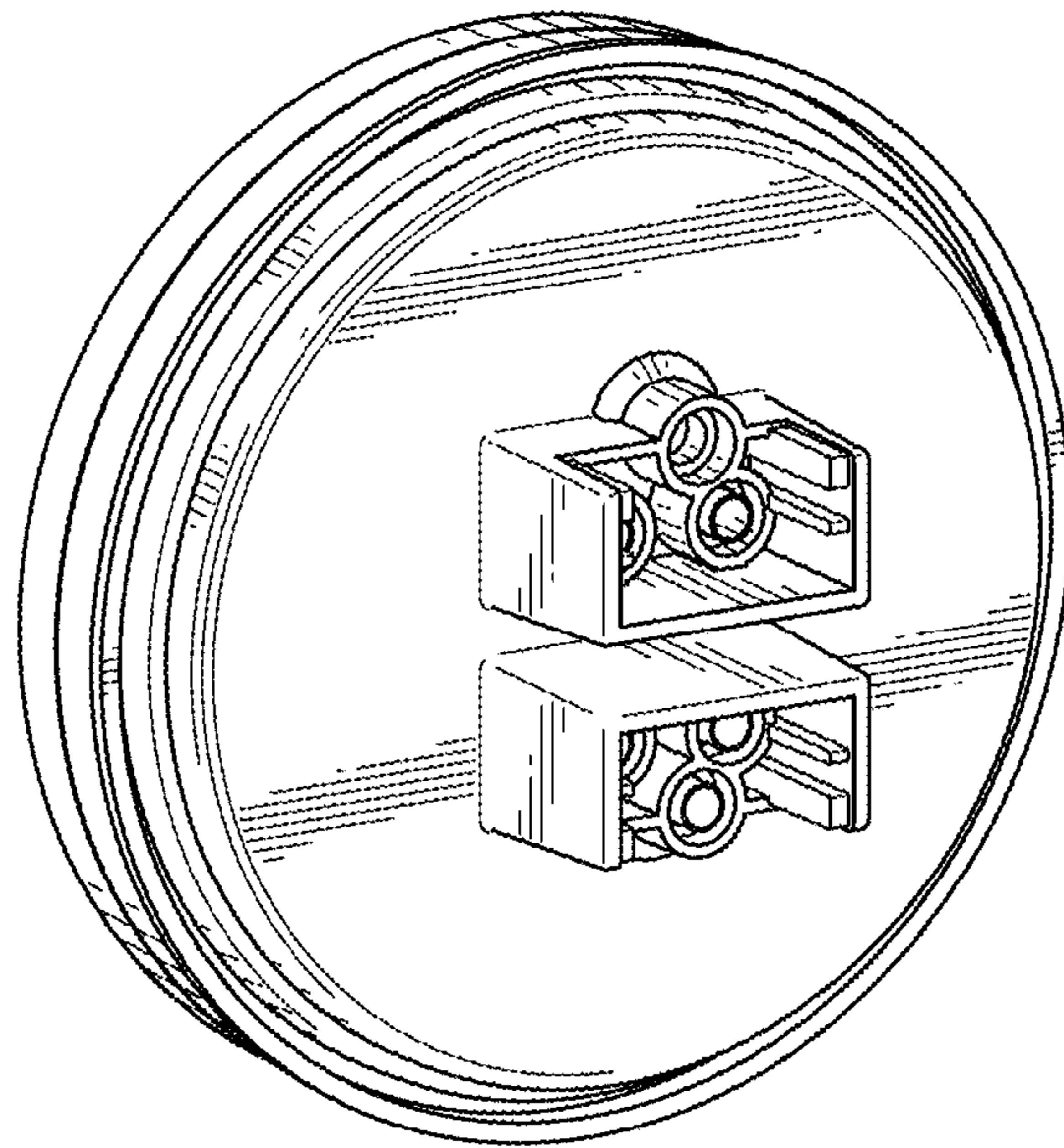


FIG. 2

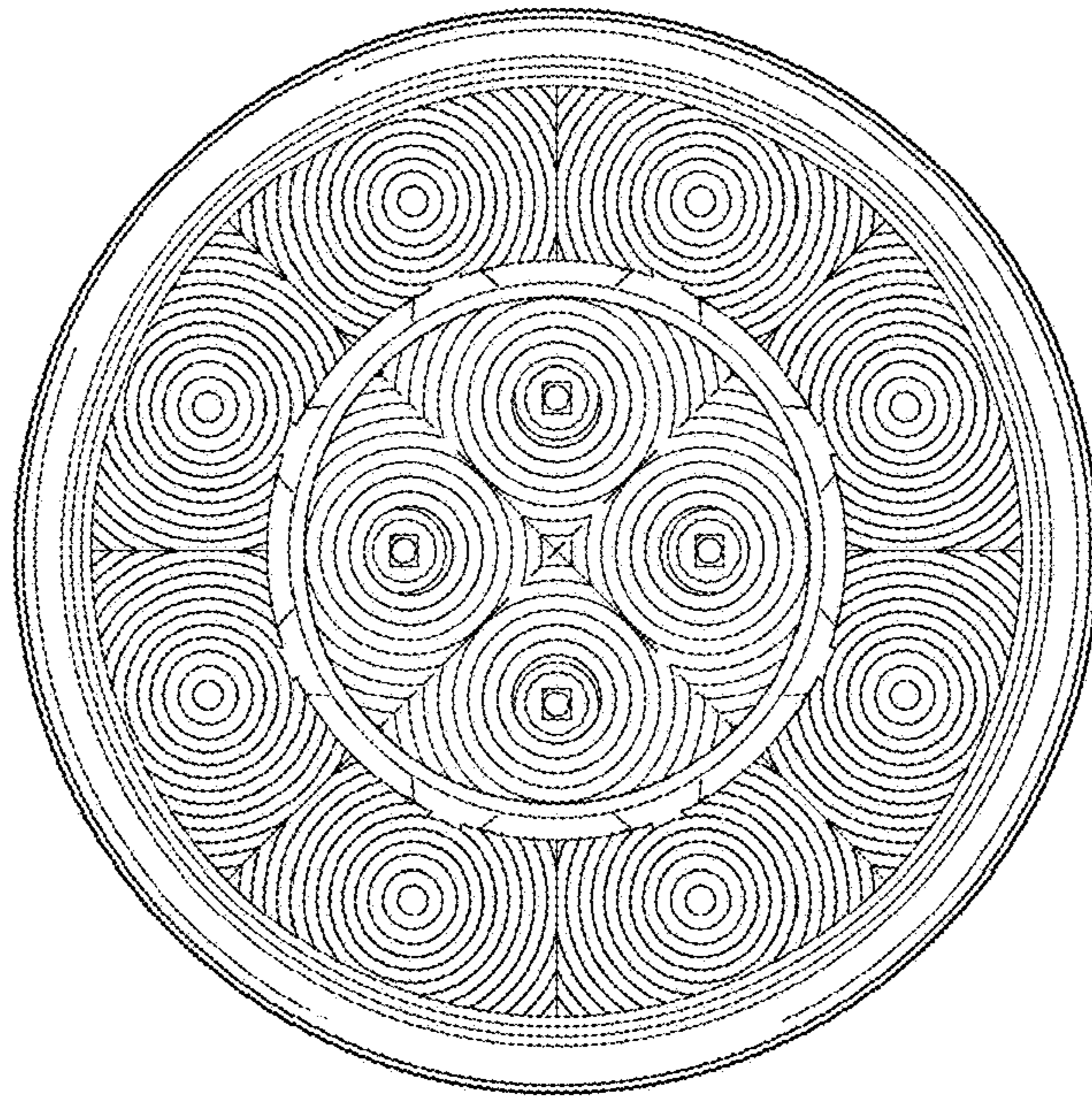


FIG. 3

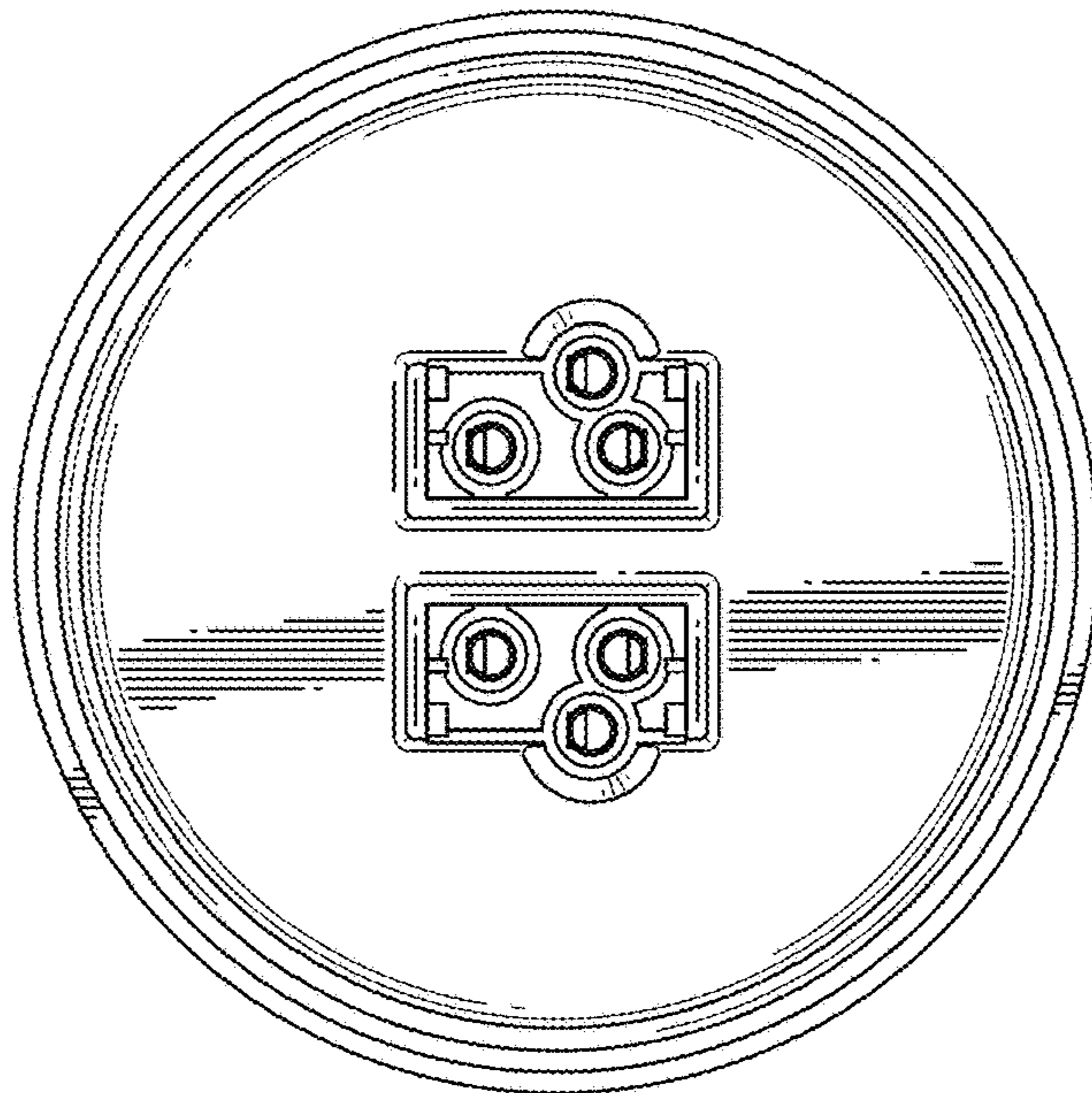


FIG. 4

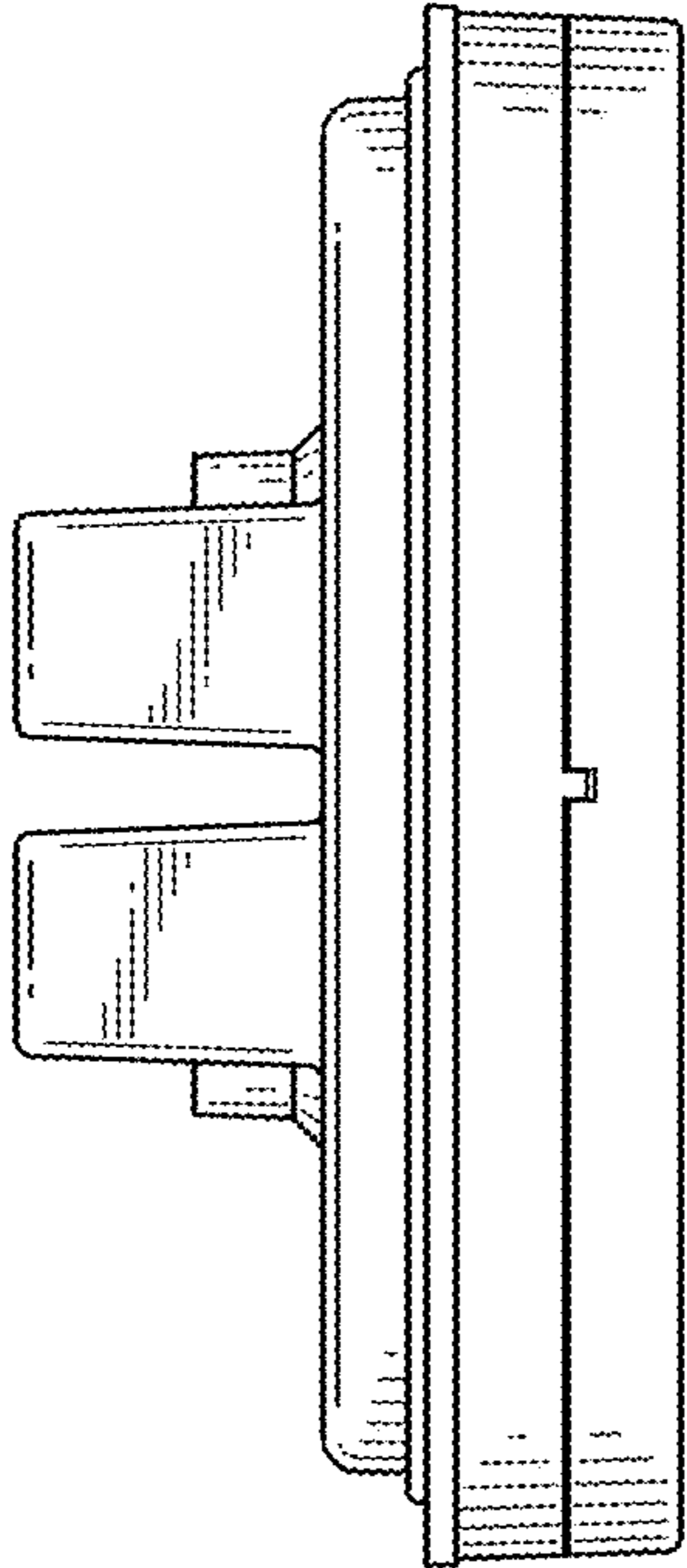


FIG. 5

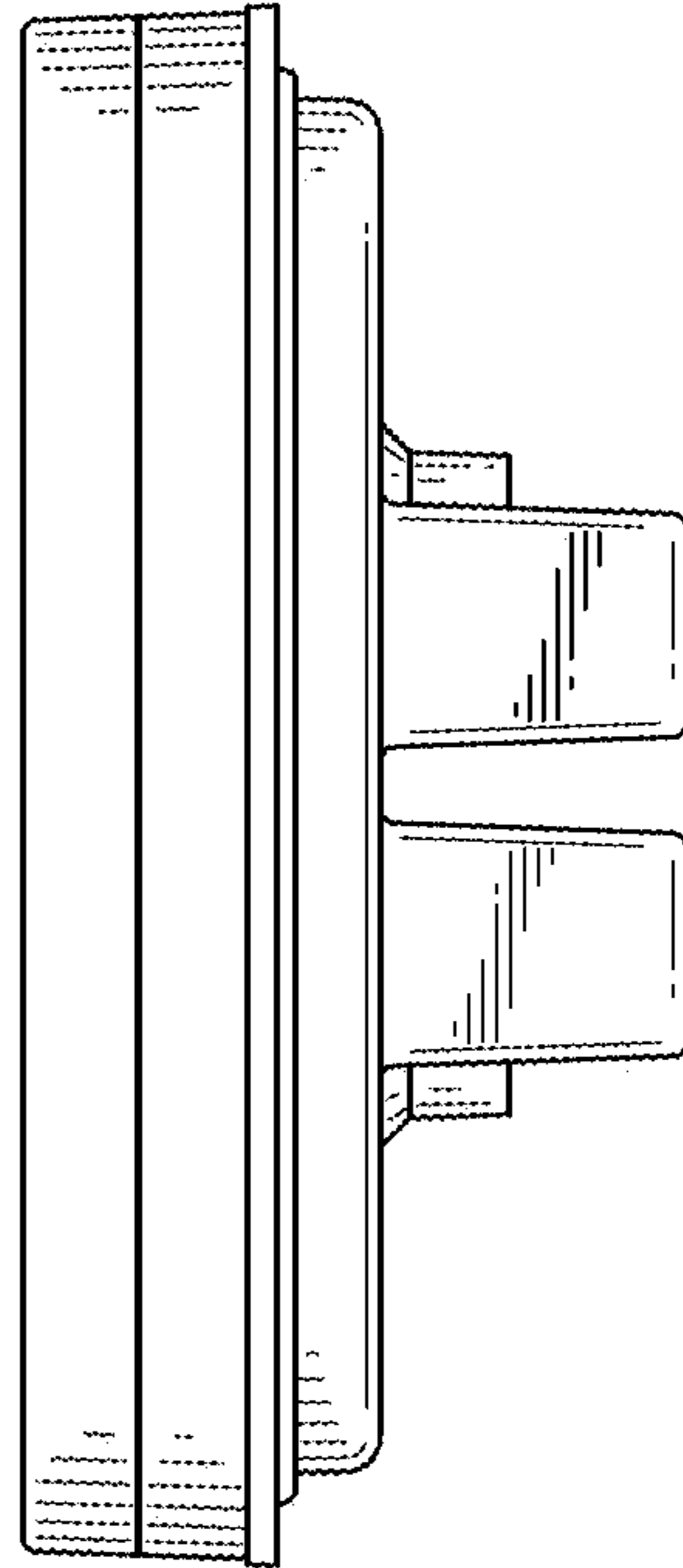


FIG. 6

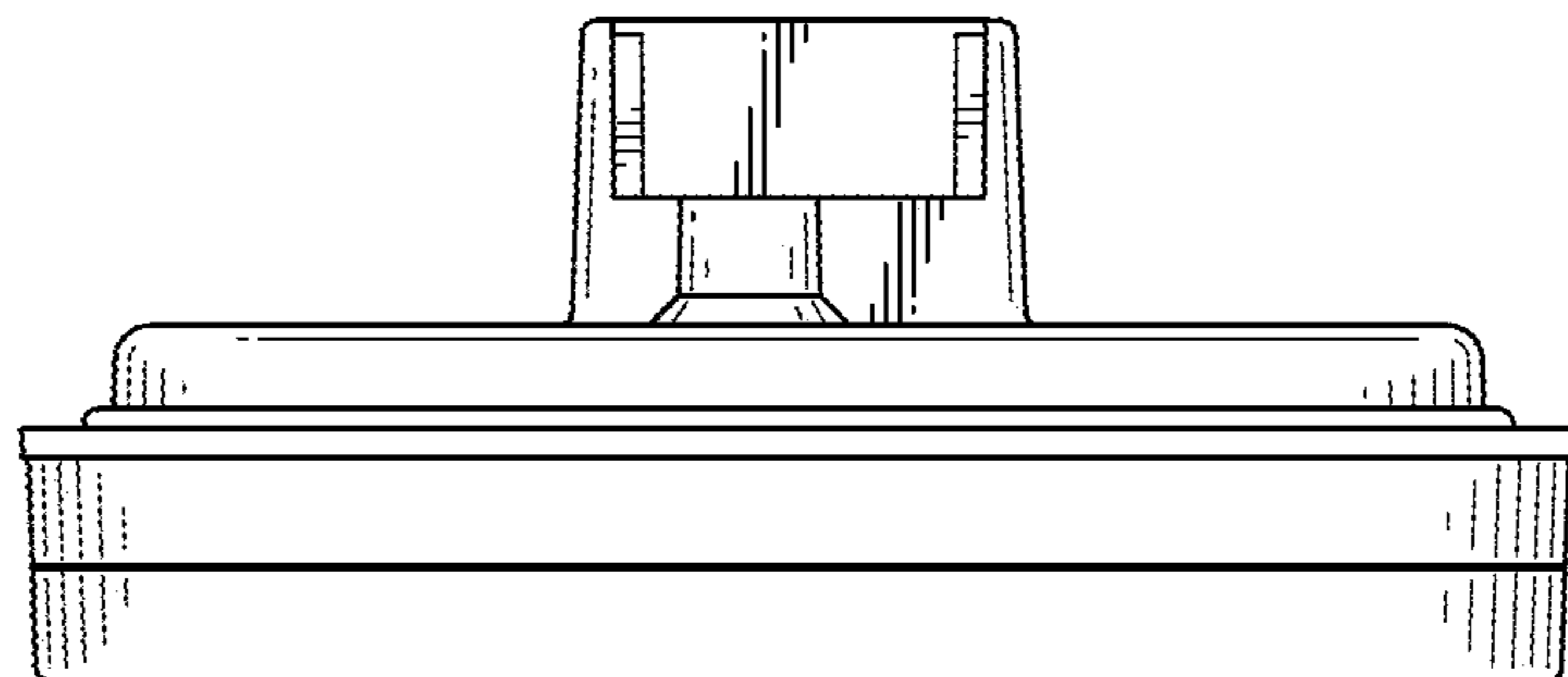


FIG. 7