



US00D829346S

(12) **United States Design Patent** (10) **Patent No.:** **US D829,346 S**
Moss et al. (45) **Date of Patent:** **** Sep. 25, 2018**

(54) **LADDER** 4,027,741 A 6/1977 Derrick
4,079,814 A 3/1978 Larson
(71) Applicant: **Wing Enterprises, Incorporated,** 4,332,308 A 6/1982 Larson
Springville, UT (US) (Continued)

(72) Inventors: **N. Ryan Moss**, Mapleton, UT (US);
Benjamin L. Cook, Provo, UT (US);
Sean R. Peterson, Santaquin, UT (US) FOREIGN PATENT DOCUMENTS
CA 161317 3/2016
CA 165519 3/2016
(Continued)

(73) Assignee: **Wing Enterprises, Inc.**, Springville,
UT (US) OTHER PUBLICATIONS
(**) Term: **15 Years**
Design U.S. Appl. No. 29/501,487, filed Sep. 4, 2014.
(Continued)

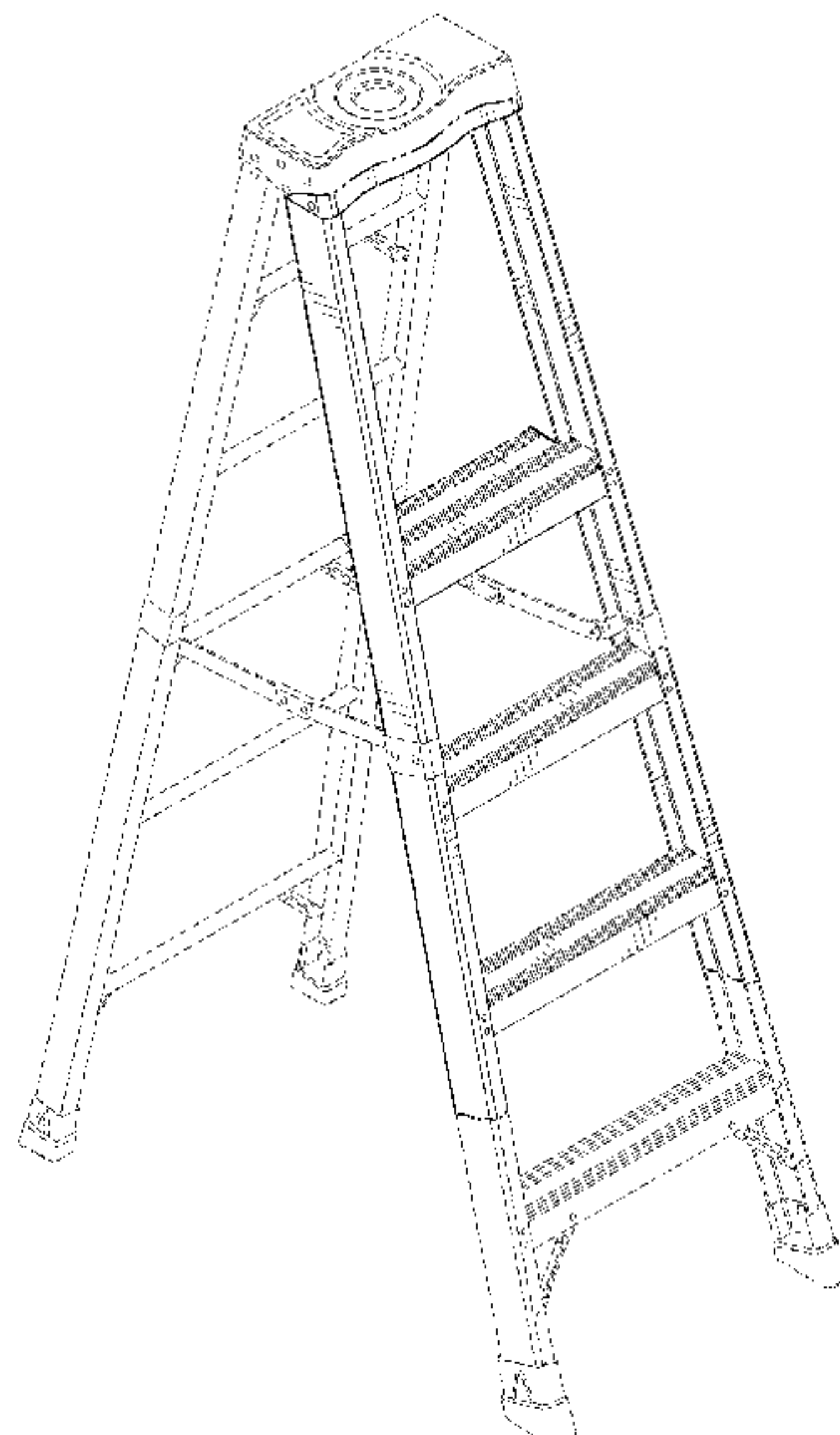
(21) Appl. No.: **29/577,112**
(22) Filed: **Sep. 9, 2016**
Related U.S. Application Data
(62) Division of application No. 29/501,501, filed on Sep. 4, 2014, now Pat. No. Des. 766,461.
(51) **LOC (11) Cl.** **25-04**
(52) **U.S. Cl.**
USPC **D25/64**
(58) **Field of Classification Search**
USPC D25/62-69; 182/156, 152, 162, 112,
182/113, 215, 220, 120, 106, 23, 26, 115,
182/129, 201, 207, 103, 245, 2.11, 102,
182/151, 107, 21, 180.1, 194, 130, 132,
182/67.4, 157, 161, 230
CPC ... E06C 5/04; E06C 7/00; E06C 1/383; E06C
7/02; E06C 1/26; E06C 1/28
See application file for complete search history.
(74) *Attorney, Agent, or Firm* — Dorsey & Whitney LLP

(57) **CLAIM**
The ornamental design for a ladder, as shown and described.

DESCRIPTION
FIG. 1 is a perspective view of a ladder showing our new design;
FIG. 2 is a front view of the ladder shown in FIG. 1;
FIG. 3 is a rear view of the ladder shown in FIG. 1;
FIG. 4 is a left side view of the ladder shown in FIG. 1;
FIG. 5 is a right side view of the ladder shown in FIG. 1; and,
FIG. 6 is a top plan view of the ladder shown in FIG. 1.
The broken lines shown in the figures are for the purpose of illustrating portions of the ladder and form no part of the claimed design.
The evenly spaced broken lines in the drawings are to show portions of the ladder that form no part of the claimed design. The dash-dot-dot broken lines define the bounds of the claimed design and form no part of the claimed design.

1 Claim, 6 Drawing Sheets

(56) **References Cited**
U.S. PATENT DOCUMENTS
1,935,349 A 11/1933 Breslow
2,109,886 A 3/1938 Lewis
3,871,481 A 3/1975 Ballek
4,011,926 A 3/1977 Larson et al.



(56)

References Cited

U.S. PATENT DOCUMENTS

D310,884 S * 9/1990 Patton D25/68
 4,979,590 A 12/1990 Bailey
 D340,773 S 10/1993 Bartnicki et al.
 5,584,357 A 12/1996 Gugel et al.
 5,722,507 A 3/1998 Kain
 D422,717 S 4/2000 Bartnicki et al.
 6,206,139 B1 3/2001 Bogart, Jr.
 6,364,057 B1 4/2002 Cornejo et al.
 6,779,632 B1 8/2004 Parks, III
 D520,147 S 5/2006 Jones et al.
 D530,025 S 10/2006 Patton et al.
 D531,322 S 10/2006 Patton et al.
 D541,433 S * 4/2007 Wise D25/68
 D548,364 S * 8/2007 Skubic D25/64
 D549,356 S 8/2007 Gibson
 D554,771 S * 11/2007 Skubic D25/64
 D576,290 S * 9/2008 Meyers D25/64
 D597,685 S 8/2009 Gibson et al.
 7,931,123 B2 4/2011 Moldthan et al.
 8,210,313 B2 7/2012 Astor
 8,272,478 B2 9/2012 Astor et al.
 8,365,863 B2 2/2013 Astor
 8,376,085 B2 2/2013 Astor et al.
 8,453,796 B2 6/2013 Astor et al.
 8,528,696 B2 9/2013 Astor
 D722,181 S * 2/2015 Green D25/64
 D766,461 S 9/2016 Moss et al.

2007/0193828 A1* 8/2007 Astor E06C 1/39
 182/129
 2007/0193829 A1 8/2007 Astor et al.
 2008/0029339 A1 2/2008 Yewer
 2010/0116592 A1* 5/2010 Clements E06C 1/39
 182/180.1
 2011/0024232 A1 2/2011 Leng
 2012/0073903 A1 3/2012 Krause
 2013/0048427 A1 2/2013 Sordo
 2014/0054111 A1* 2/2014 Lu E06C 7/44
 182/107
 2014/0083888 A1 3/2014 Constable
 2014/0332316 A1* 11/2014 Tiber B26D 7/01
 182/129
 2015/0090533 A1* 4/2015 Moss E06C 1/16
 182/180.1

FOREIGN PATENT DOCUMENTS

CN 3524010 12/2015
 JP 1545330 2/2016
 JP 1545335 2/2016

OTHER PUBLICATIONS

Design U.S. Appl. No. 29/501,490, filed Sep. 4, 2014.
 Design U.S. Appl. No. 29/501,506, filed Sep. 4, 2014.
 Design U.S. Appl. No. 29/501,501, filed Sep. 4, 2014.

* cited by examiner

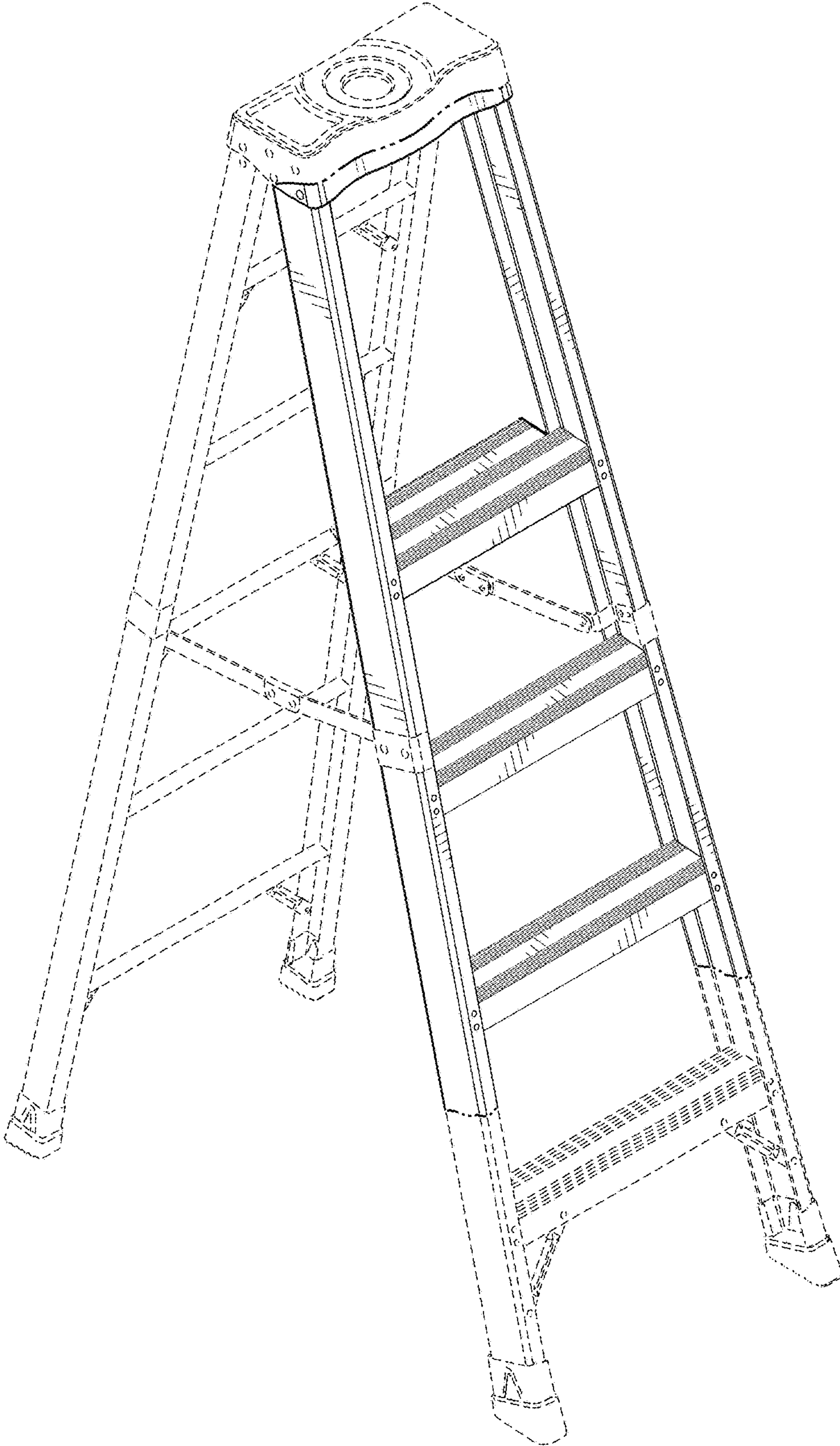


FIG. 1

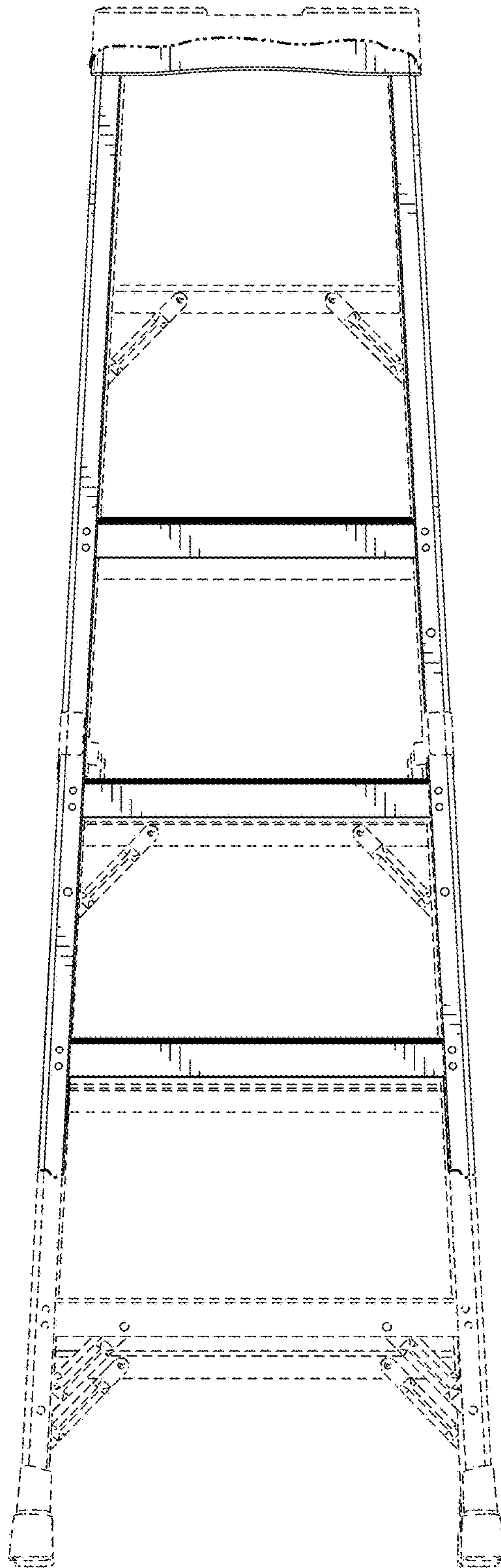


FIG. 2

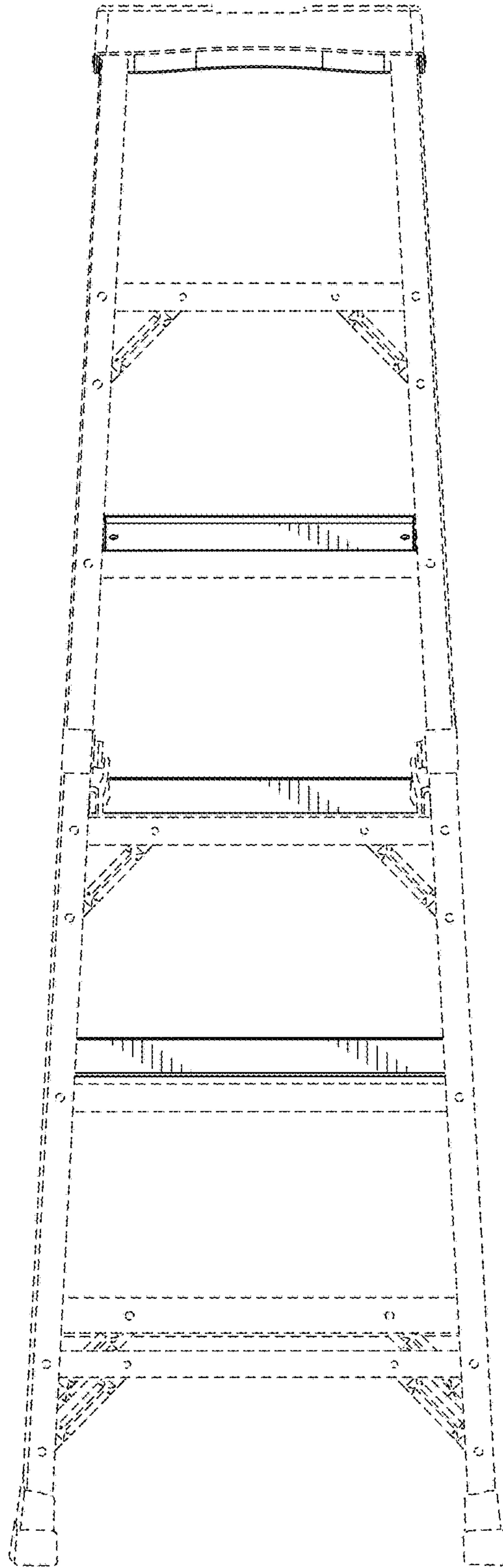


FIG. 3

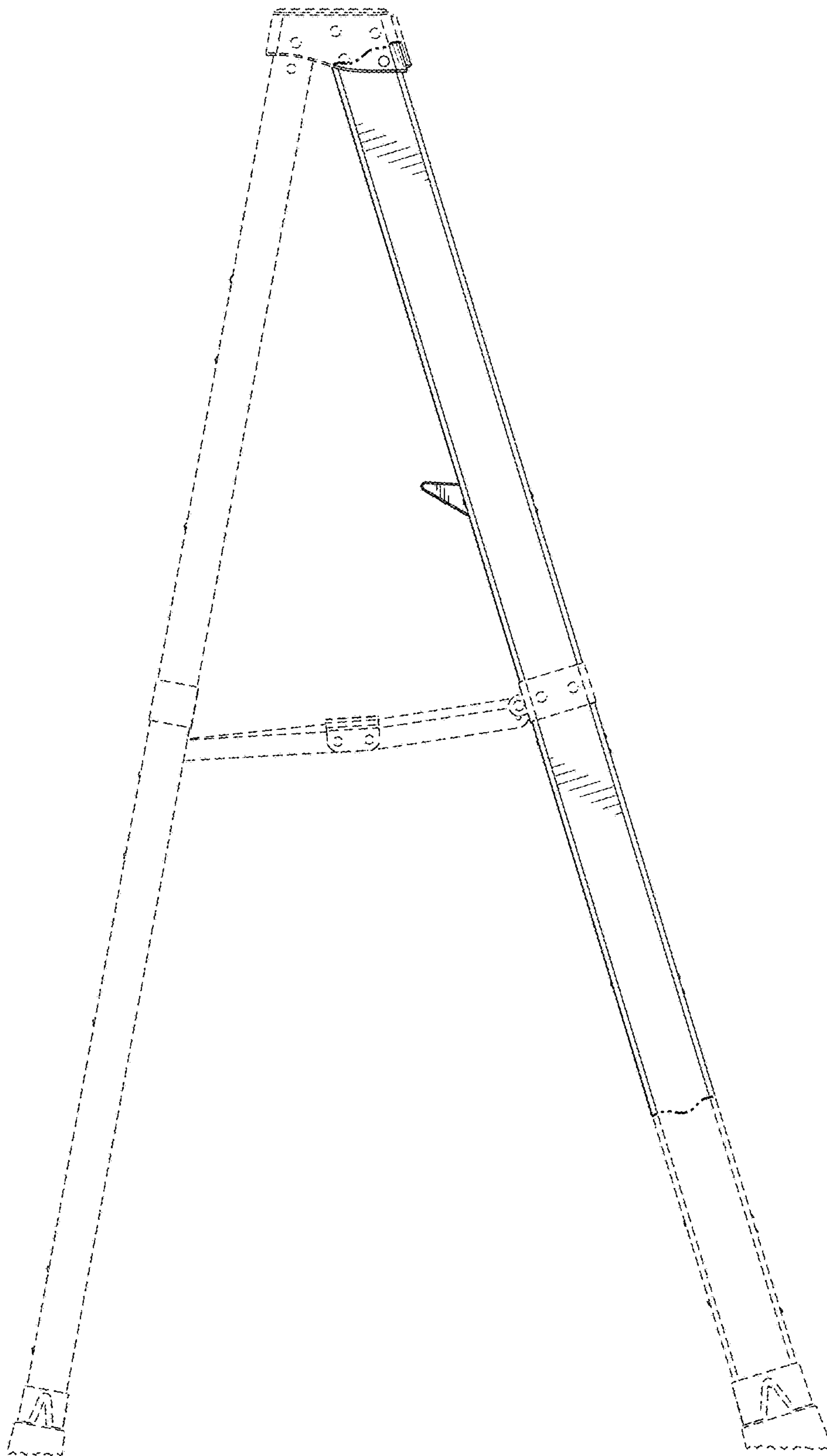


FIG. 4

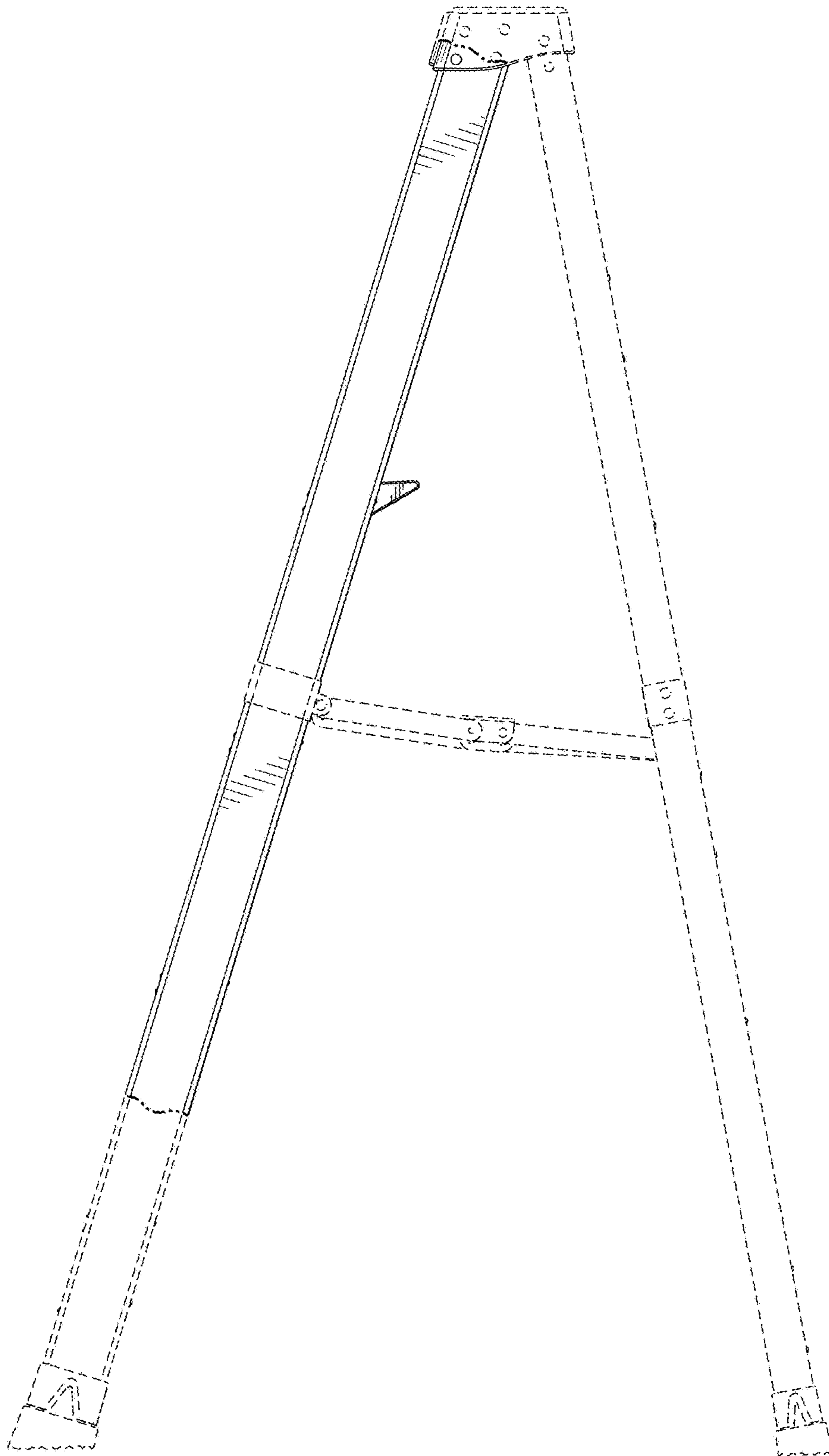


FIG. 5

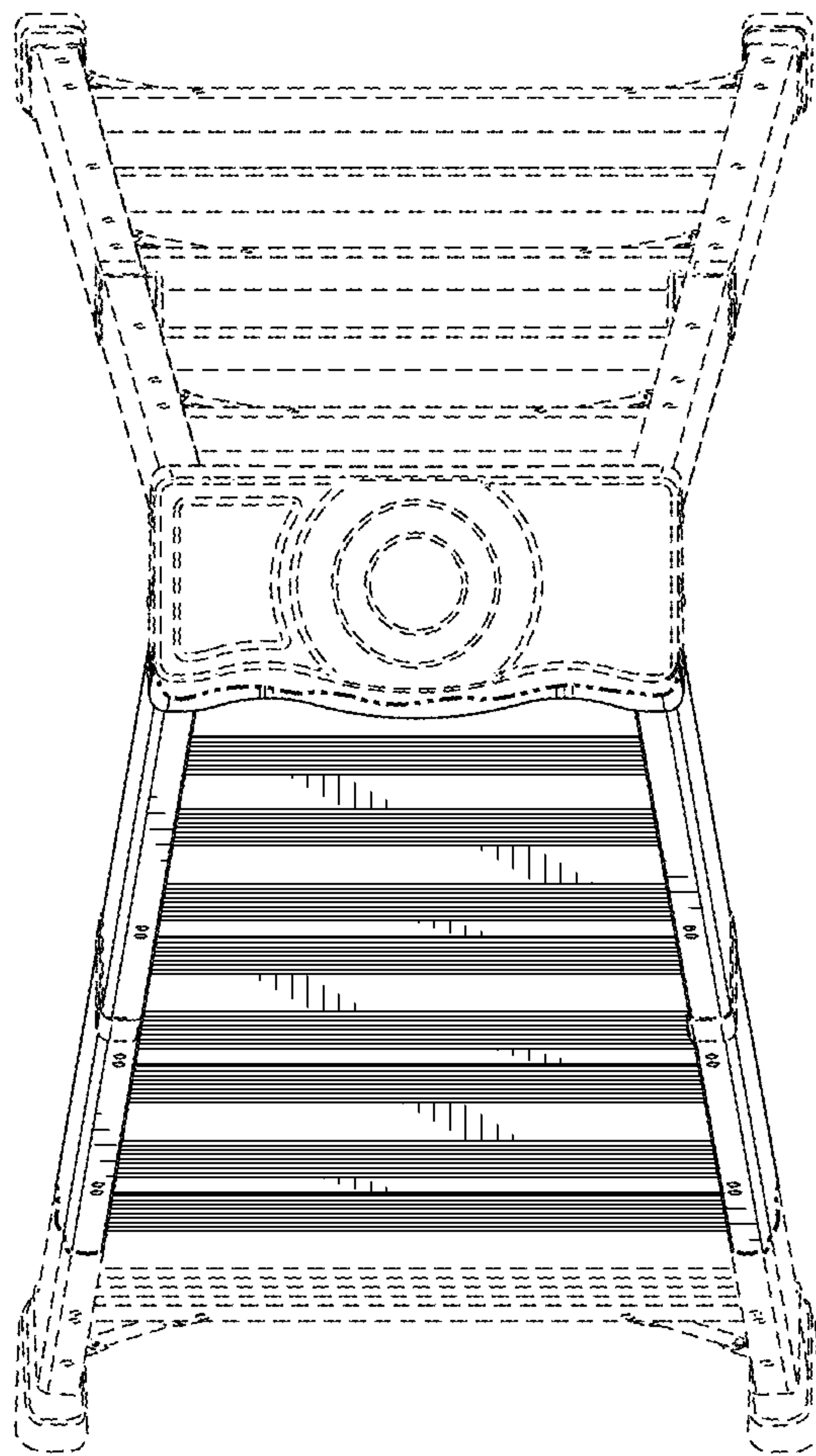


FIG. 6