



US00D829344S

(12) **United States Design Patent** (10) **Patent No.:** **US D829,344 S**  
**Tamilow et al.** (45) **Date of Patent:** **\*\* Sep. 25, 2018**

(54) **FENCE**  
(71) Applicants: **Robert Tamilow**, Richmond, CA (US);  
**Louis Tamilow**, Richmond, CA (US)  
(72) Inventors: **Robert Tamilow**, Richmond, CA (US);  
**Louis Tamilow**, Richmond, CA (US)

D697,230 S \* 1/2014 Esposito ..... D25/38.1  
D713,549 S \* 9/2014 Nicolosi ..... D25/38.1  
D713,550 S \* 9/2014 Nicolosi ..... D25/38.1  
D807,526 S \* 1/2018 Tamilow ..... D25/38.1  
2007/0138455 A1\* 6/2007 Walker ..... E04F 11/1842  
256/22  
2012/0247012 A1\* 10/2012 Johnson ..... E04H 17/166  
47/32.4

(\*\*) Term: **15 Years**  
(21) Appl. No.: **29/615,559**  
(22) Filed: **Aug. 30, 2017**

**FOREIGN PATENT DOCUMENTS**

KR 300451262.0009 \* 4/2010

\* cited by examiner

*Primary Examiner* — Susan Bennett Hattan  
*Assistant Examiner* — Leanne Was-Englehart  
(74) *Attorney, Agent, or Firm* — Steven A. Nielsen;  
www.NielsenPatents.com

**Related U.S. Application Data**

(62) Division of application No. 29/554,386, filed on Feb. 11, 2016, now Pat. No. Des. 807,526.  
(51) **LOC (11) Cl.** ..... **25-02**  
(52) **U.S. Cl.**  
USPC ..... **D25/38.1**  
(58) **Field of Classification Search**  
USPC ..... D25/38.1, 40, 42, 138; 256/19, 24, 73  
CPC .... E04H 17/16; E04H 17/166; E04H 17/1421  
See application file for complete search history.

(57) **CLAIM**

The ornamental design for a fence, as shown and described.

**DESCRIPTION**

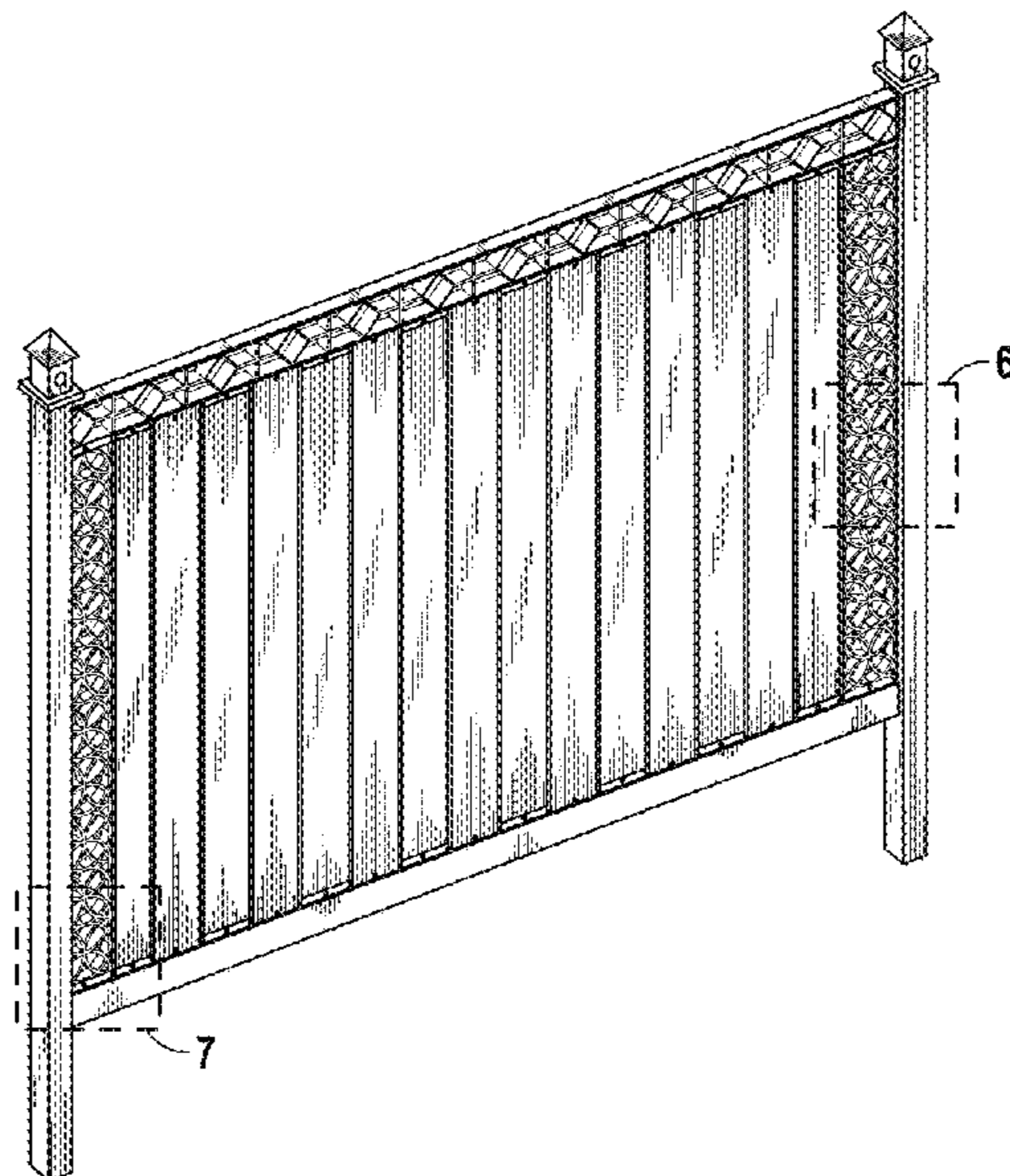
FIG. 1 is a top and front perspective view of a fence showing a new design;  
FIG. 2 is a front view thereof with the back view being a mirror image thereof;  
FIG. 3 is a left side view thereof with the right side being a mirror image thereof;  
FIG. 4 is a top view thereof;  
FIG. 5 is a bottom side view thereof;  
FIG. 6 is an expanded view from FIG. 1 thereof; and,  
FIG. 7 is an expanded view from FIG. 1 thereof.  
The dashed lines of FIG. 5 show environmental conditions only and form no part of the claimed design.  
The evenly spaced dashed line squares in FIGS. 1, 6 & 7 depict the limits of the enlarged view and form no part of the claimed design.

(56) **References Cited**

**U.S. PATENT DOCUMENTS**

3,454,262 A \* 7/1969 Romano ..... E04H 17/1421  
256/19  
6,152,428 A \* 11/2000 Simioni ..... E04H 17/166  
256/19  
D572,830 S \* 7/2008 Ellis ..... D25/38.1  
D583,485 S \* 12/2008 Lo ..... D25/48.5  
D603,527 S \* 11/2009 Steverson ..... D25/38.1  
D621,061 S \* 8/2010 Petrucelli ..... D25/38.1  
D638,955 S \* 5/2011 Kopp ..... D25/38.1  
D665,510 S \* 8/2012 Esposito ..... D25/38.1  
D679,414 S \* 4/2013 Esposito ..... D25/38.1

**1 Claim, 4 Drawing Sheets**



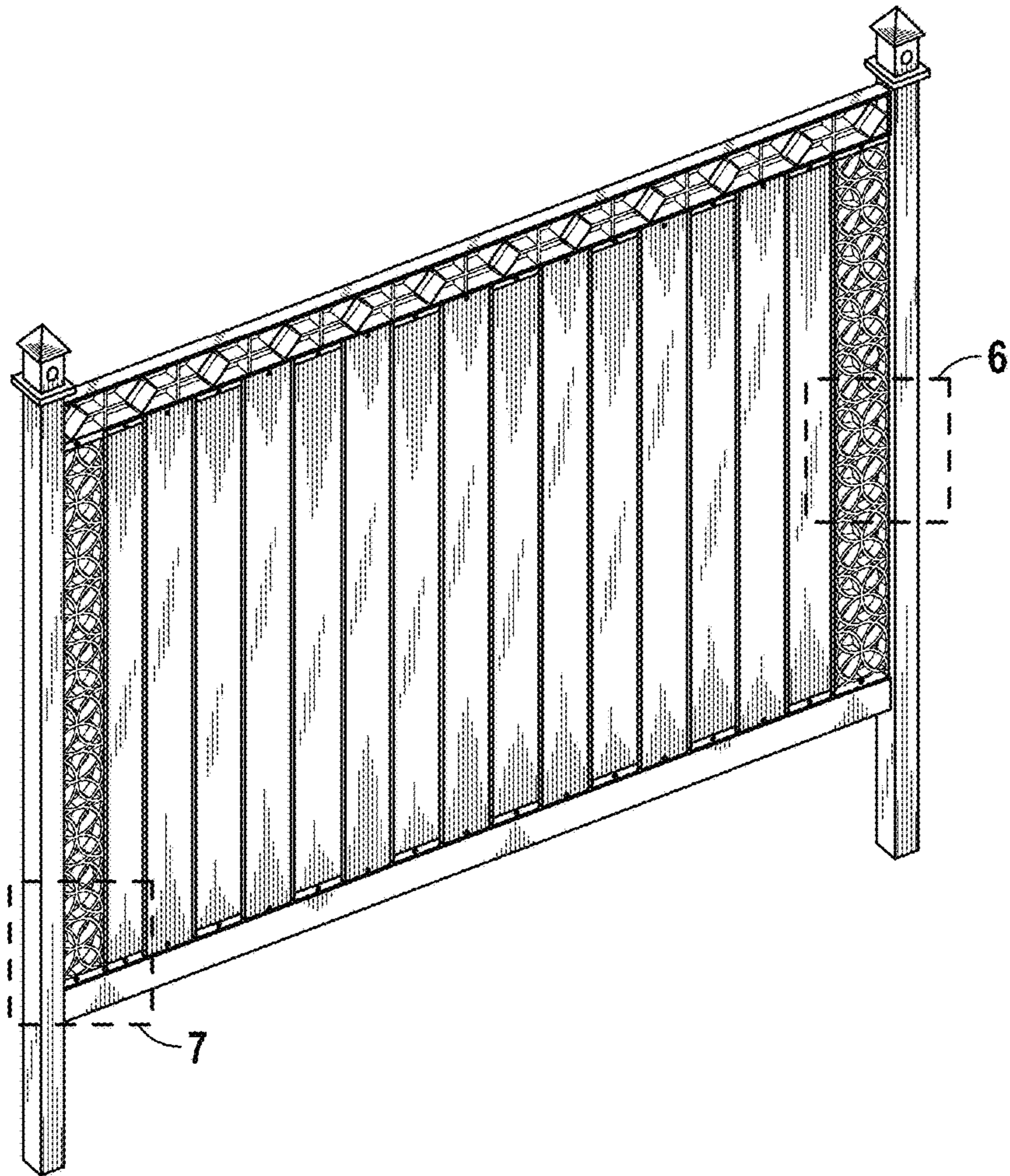


FIG. 1

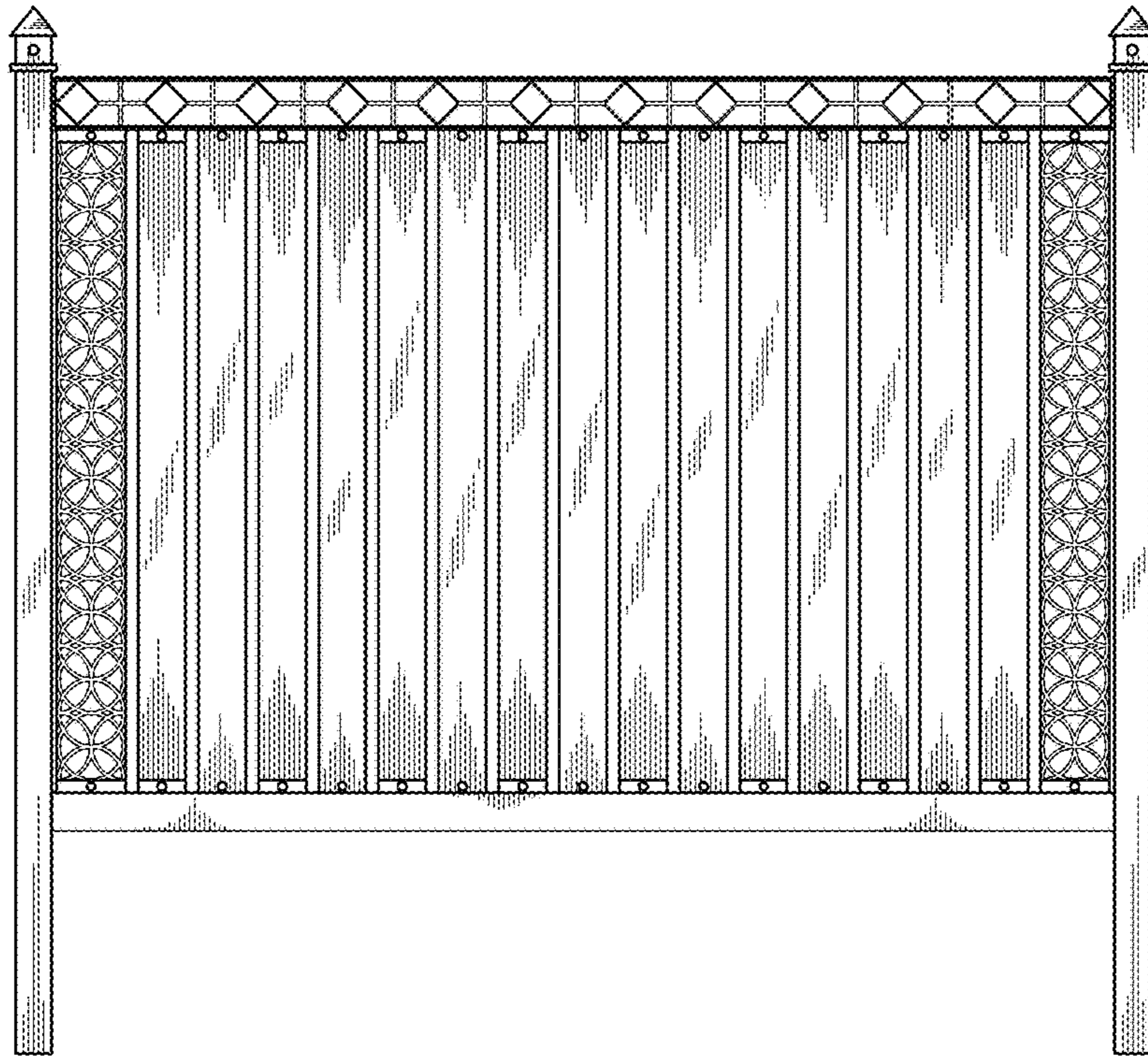


FIG. 2



FIG. 3

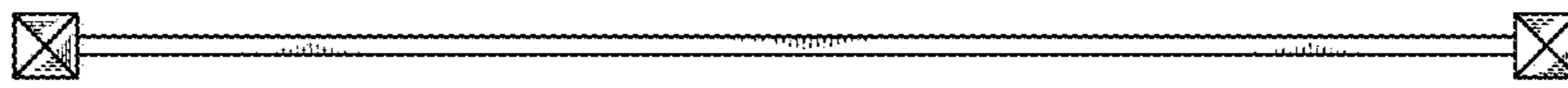


FIG. 4

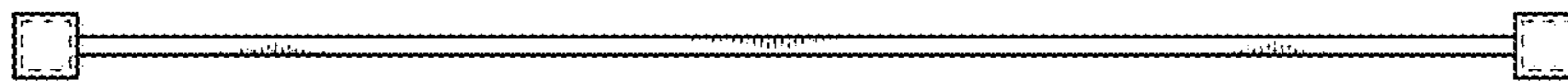


FIG. 5

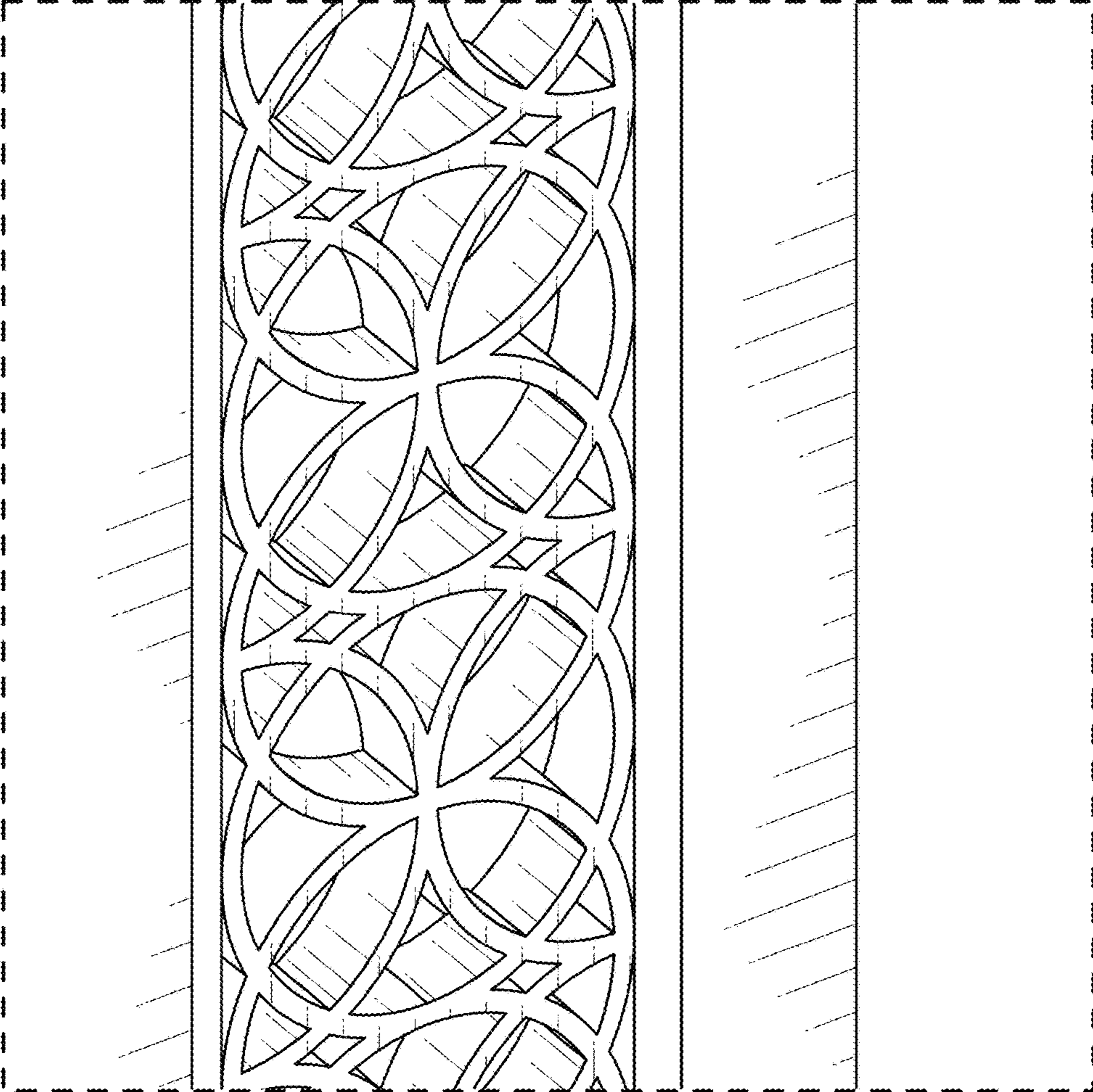


FIG. 6

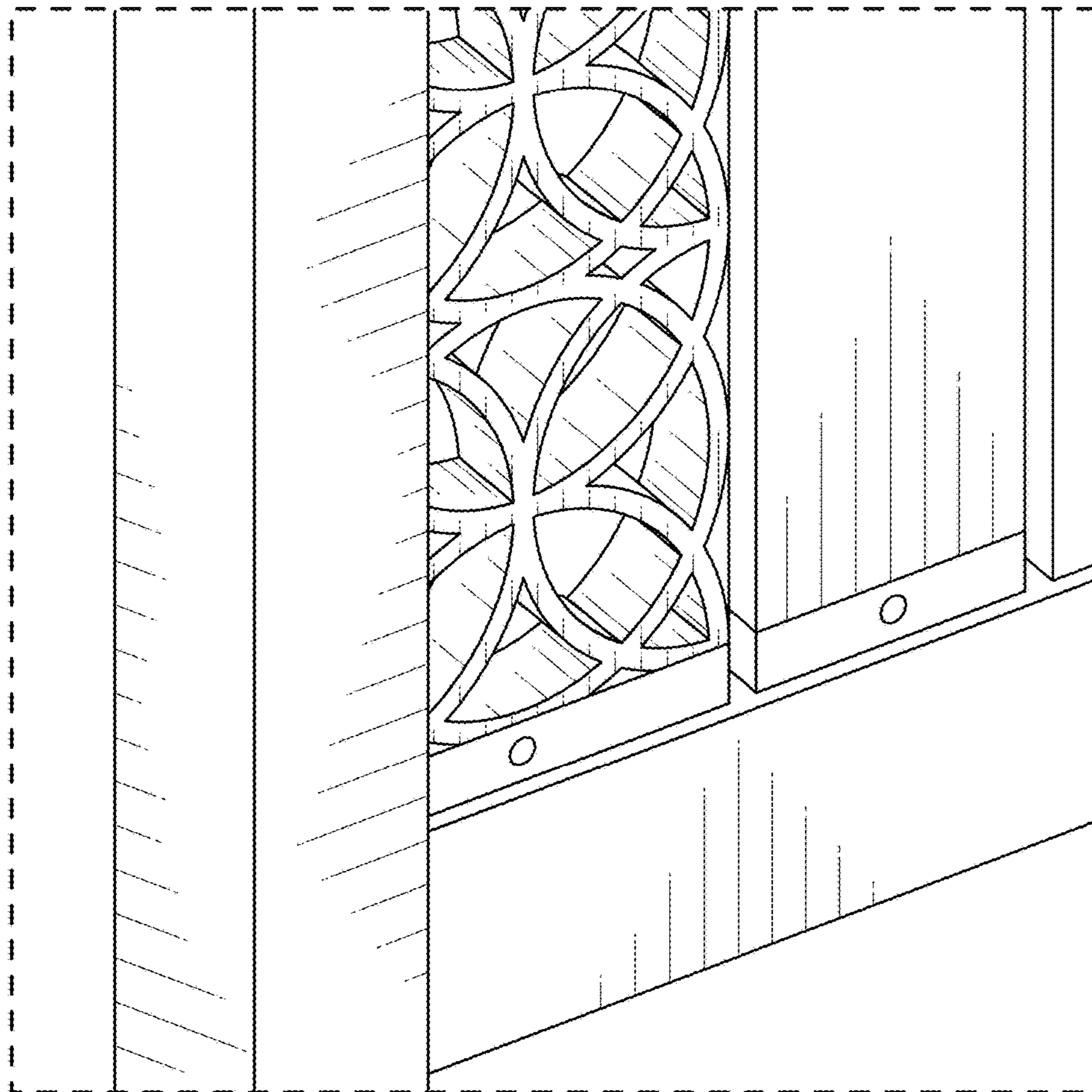


FIG. 7