



US00D829341S

(12) **United States Design Patent** (10) **Patent No.:** **US D829,341 S**
Morohoshi et al. (45) **Date of Patent:** **** Sep. 25, 2018**

(54) **KIOSK**

(71) Applicants: **Hiroshi Morohoshi**, San Jose, CA
(US); **Richard Meider**, Sunnyvale, CA
(US); **Russell Brian Schumacher**, San
Jose, CA (US)

(72) Inventors: **Hiroshi Morohoshi**, San Jose, CA
(US); **Richard Meider**, Sunnyvale, CA
(US); **Russell Brian Schumacher**, San
Jose, CA (US)

(73) Assignee: **Ricoh Company, LTD.**, Tokyo (JP)

(**) Term: **15 Years**

(21) Appl. No.: **29/557,548**

(22) Filed: **Mar. 9, 2016**

(51) **LOC (11) Cl.** **25-03**

(52) **U.S. Cl.**
USPC **D25/33**; D99/28

(58) **Field of Classification Search**
USPC D25/1-34, 56; D99/28, 35, 41
CPC .. A47F 3/00; A47F 3/004; E01F 9/012; E04B
1/02; E04B 1/08; E04B 1/26; E04B
1/344; E04H 1/12
See application file for complete search history.

(56) **References Cited**

U.S. PATENT DOCUMENTS

| | | | | |
|----------------|---------|----------------|-------|------------|
| D375,606 S * | 11/1996 | Dallman et al. | | D99/28 |
| 6,279,822 B1 * | 8/2001 | Bertram | | A47F 3/004 |
| | | | | 220/315 |
| D578,656 S * | 10/2008 | Holmstadt | | D25/16 |
| D621,524 S * | 8/2010 | Olson | | D14/307 |
| D622,408 S * | 8/2010 | Leonard | | D25/16 |
| D638,551 S * | 5/2011 | Gann | | D25/16 |
| D641,090 S * | 7/2011 | Clark | | D25/16 |
| D657,589 S * | 4/2012 | Watson | | D6/678.4 |
| D662,221 S * | 6/2012 | Small | | D25/16 |

| | | | | |
|-------------------|---------|----------------|-------|--------------|
| D692,951 S * | 11/2013 | Saario | | D20/4 |
| D747,816 S * | 1/2016 | Indio da Costa | | D25/1 |
| D750,803 S * | 3/2016 | Chan | | D25/16 |
| D771,273 S * | 11/2016 | Geier | | D25/16 |
| 2005/0078004 A1 * | 4/2005 | Johnson | | G01N 33/5438 |
| | | | | 340/539.26 |

* cited by examiner

Primary Examiner — Marianne N Pandozzi

Assistant Examiner — Suzanne E Tisdell

(74) *Attorney, Agent, or Firm* — Patent Law Works LLP

(57) **CLAIM**

The ornamental design for a kiosk or portion thereof, as shown and described.

DESCRIPTION

FIG. 1 is a top, front, and right side perspective view of a kiosk or portion thereof showing the new design.

FIG. 2 is a top, front, and left side perspective view of the kiosk or portion thereof showing the new design.

FIG. 3 is a bottom, rear, and left side perspective view of the kiosk or portion thereof showing the new design.

FIG. 4 is a front view of the kiosk or portion thereof showing the new design.

FIG. 5 is a rear view of the kiosk or portion thereof showing the new design.

FIG. 6 is a left side view of the kiosk or portion thereof showing the new design.

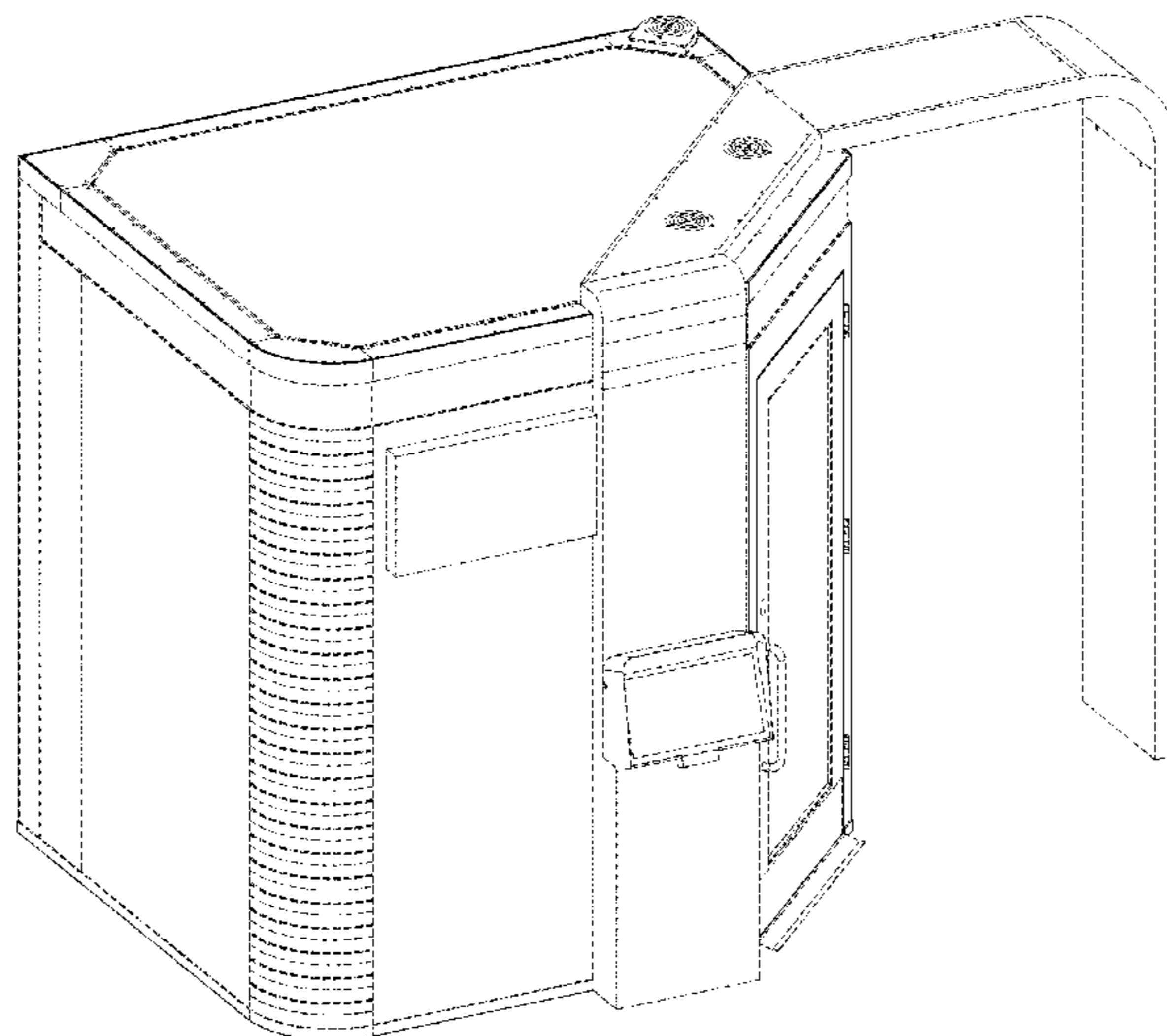
FIG. 7 is a right side view of the kiosk or portion thereof showing the new design.

FIG. 8 is a top view of the kiosk or portion thereof showing the new design; and,

FIG. 9 is a bottom view of the kiosk or portion thereof showing the new design.

Within the drawings, the dash lines, and the areas within the dash lines, show unclaimed portions of the kiosk and form no part of the claimed design.

1 Claim, 9 Drawing Sheets



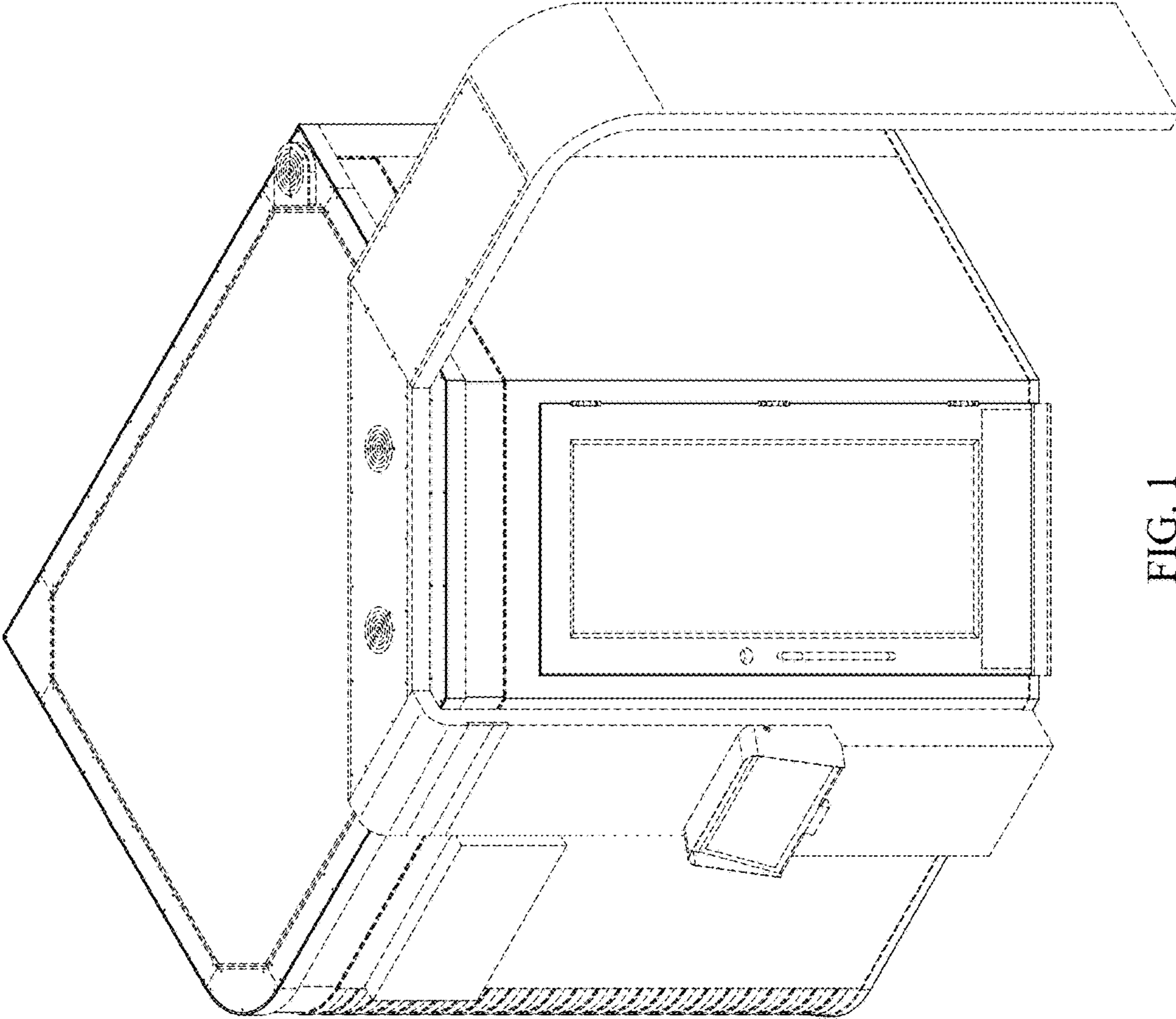


FIG. 1

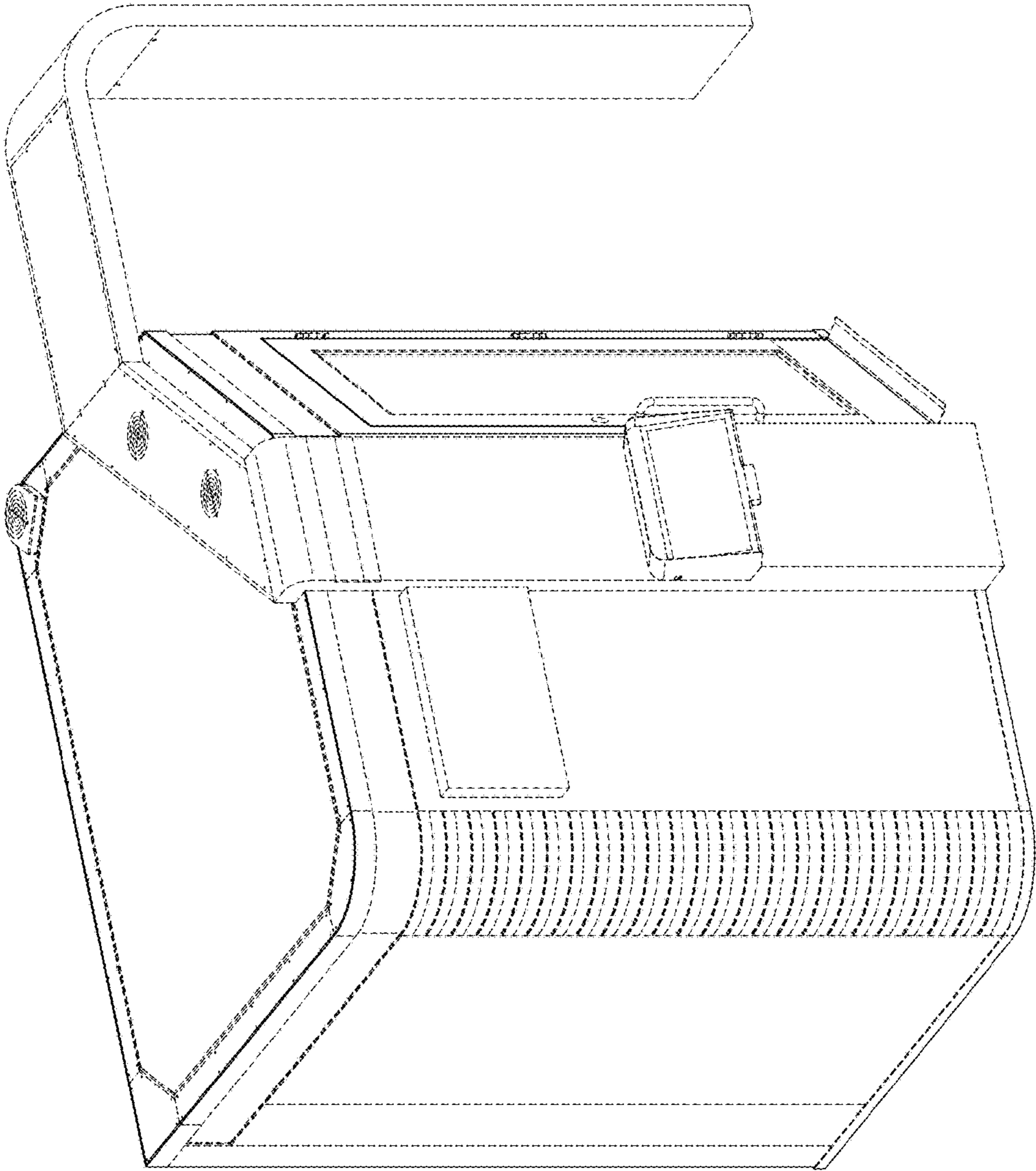


FIG. 2

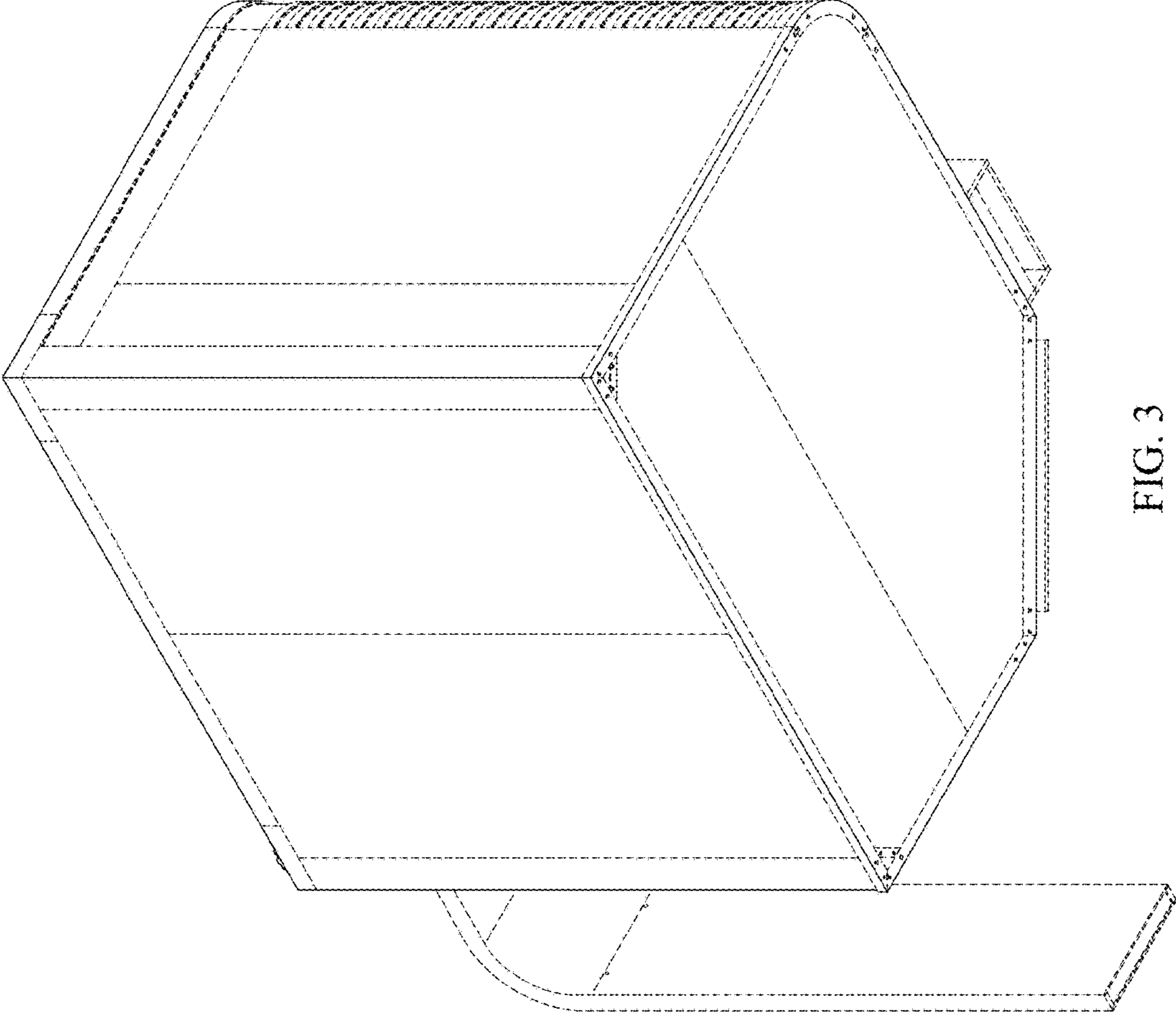


FIG. 3

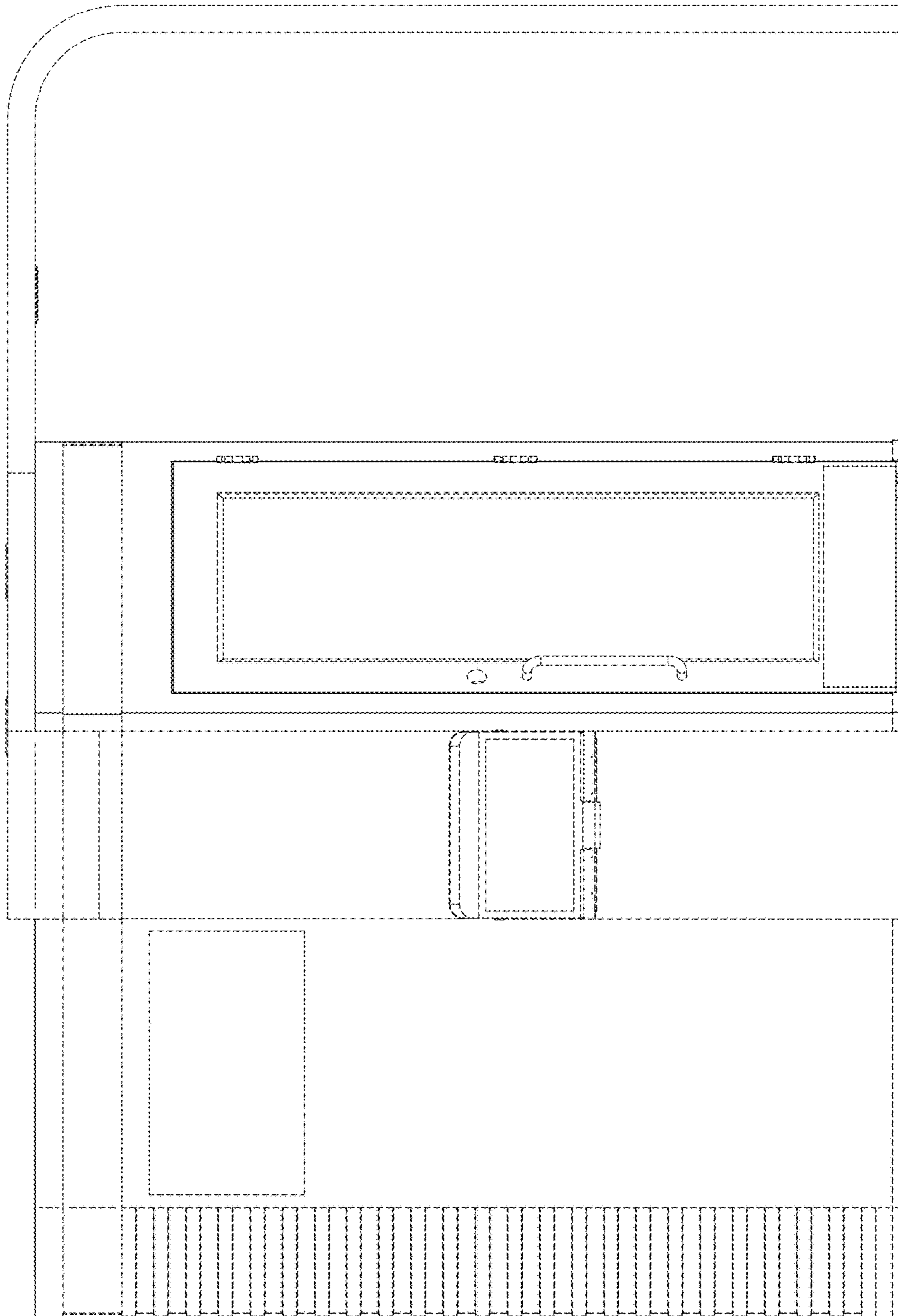


FIG. 4

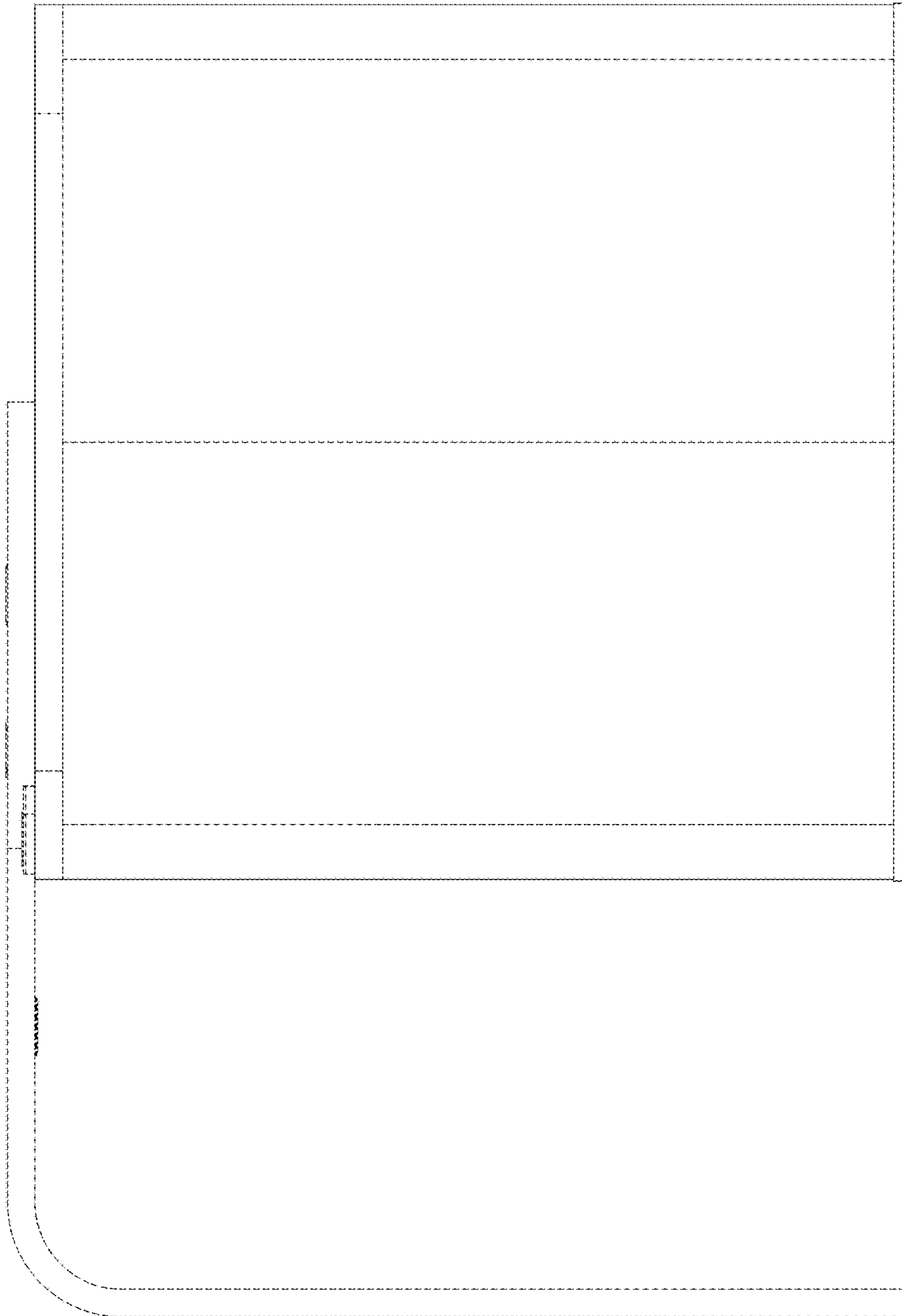


FIG. 5

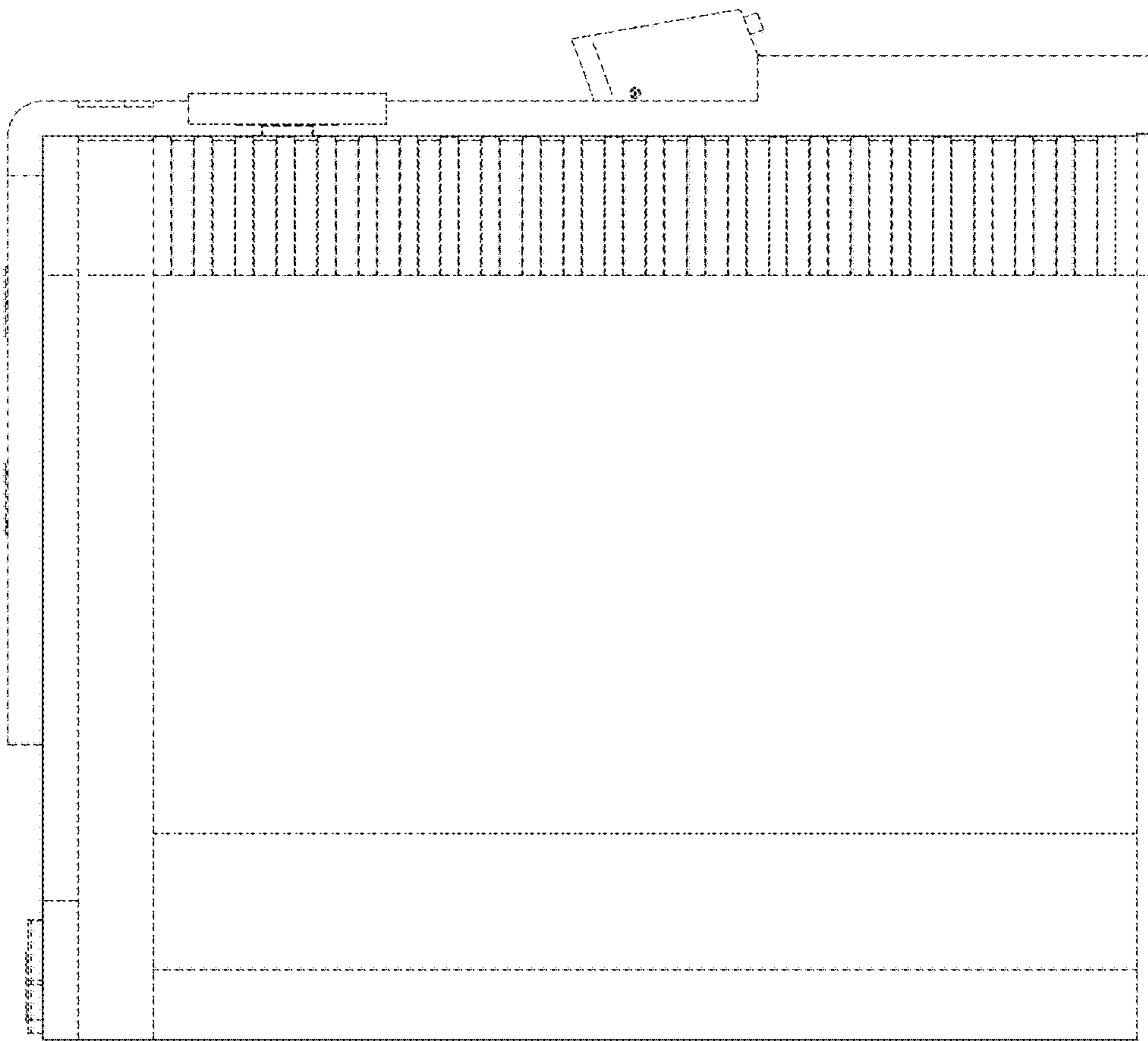


FIG. 6

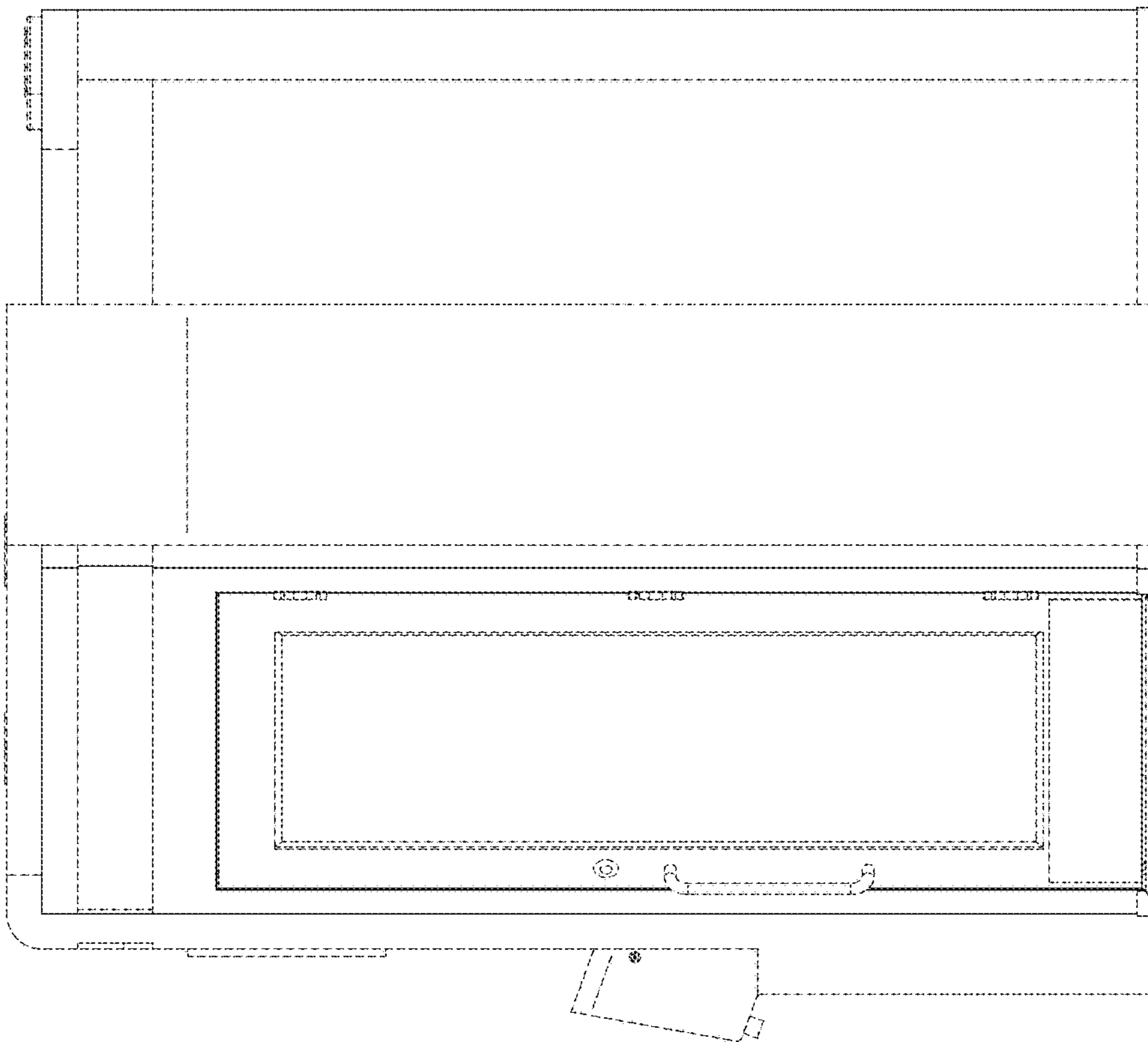


FIG. 7

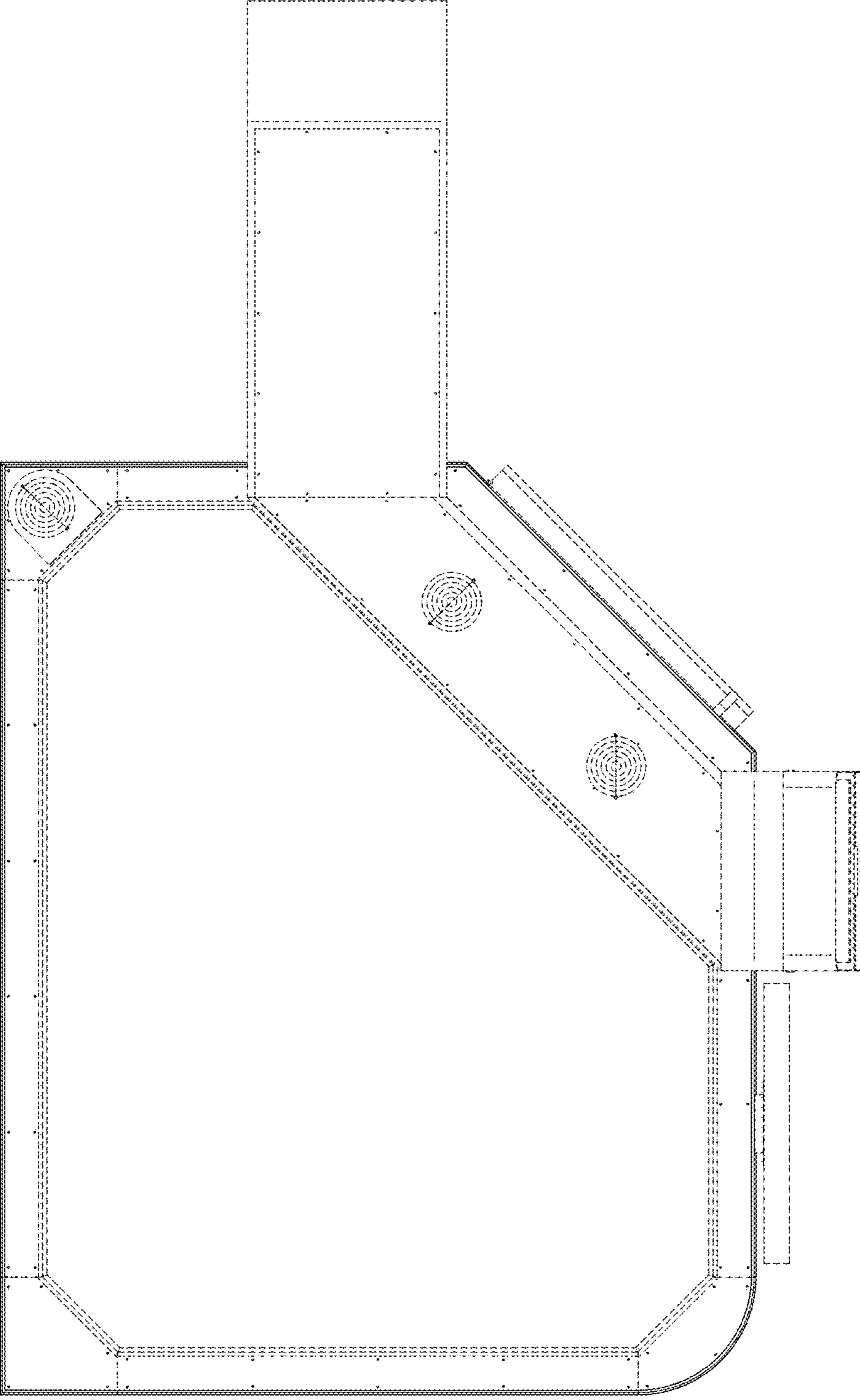


FIG. 8

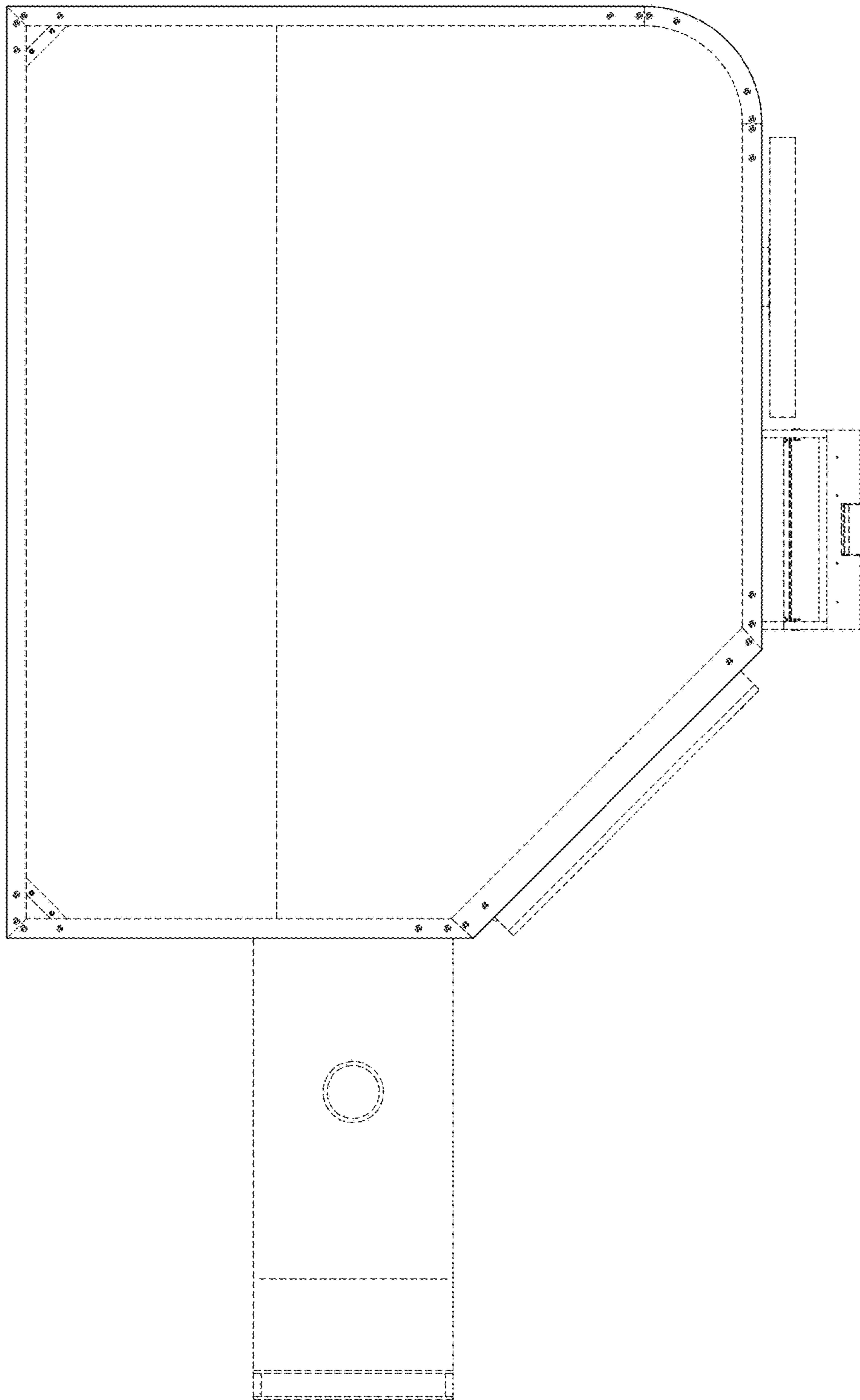


FIG. 9