



US00D829340S

(12) **United States Design Patent**  
**Tremblay et al.**

(10) **Patent No.:** **US D829,340 S**

(45) **Date of Patent:** **\*\* Sep. 25, 2018**

(54) **DEPRESSOR**

(71) Applicant: **Charles River Laboratories, Inc.**,  
Wilmington, MA (US)

(72) Inventors: **Jason Tremblay**, Mount Pleasant, SC  
(US); **Dana M. Nutter**, Charleston, SC  
(US); **Elizabeth Mills**, Charleston, SC  
(US); **Luca Nicoli**, Mount Pleasant, SC  
(US); **Eric Stimpson**, Mountain View,  
CA (US); **Thomas Preidel**, Uslar (DE);  
**Michael Braun**, Bovenden (DE)

(73) Assignee: **Charles River Laboratories, Inc.**,  
Wilmington, MA (US)

(\*\*) Term: **15 Years**

(21) Appl. No.: **29/604,038**

(22) Filed: **May 15, 2017**

(51) **LOC (11) Cl.** ..... **24-01**

(52) **U.S. Cl.**  
USPC ..... **D24/232**

(58) **Field of Classification Search**  
USPC ..... D24/121, 162, 186, 216, 219–221,  
D24/224–233; D10/81  
CPC ..... G01N 2001/4088; B01D 2201/301; B01D  
2325/02; B01D 29/58; B01L 2300/0681;  
B01L 2400/0683  
See application file for complete search history.

(56) **References Cited**

**U.S. PATENT DOCUMENTS**

D506,261 S \* 6/2005 Hellstrom ..... D24/224  
8,697,436 B2 \* 4/2014 Pflanz ..... B01L 3/5635  
435/243

D717,463 S \* 11/2014 Wainwright ..... D24/216  
D717,464 S \* 11/2014 Wainwright ..... D24/162  
D743,034 S \* 11/2015 Ebi ..... D24/162  
D776,295 S \* 1/2017 Wainwright ..... D24/224  
D776,296 S \* 1/2017 Wainwright ..... D24/224  
9,624,463 B2 \* 4/2017 Wainwright ..... C12M 47/04  
2007/0196237 A1 \* 8/2007 Neuzil ..... B01L 3/50851  
422/67  
2012/0061308 A1 \* 3/2012 Gilet ..... B01L 3/508  
210/232  
2014/0352455 A1 \* 12/2014 Pavels Peterson .....  
A61B 10/0038  
73/863  
2016/0010052 A1 \* 1/2016 Wainwright ..... C12M 47/04  
435/252.1

\* cited by examiner

*Primary Examiner* — Anhdao Doan

(74) *Attorney, Agent, or Firm* — Goodwin Procter LLP

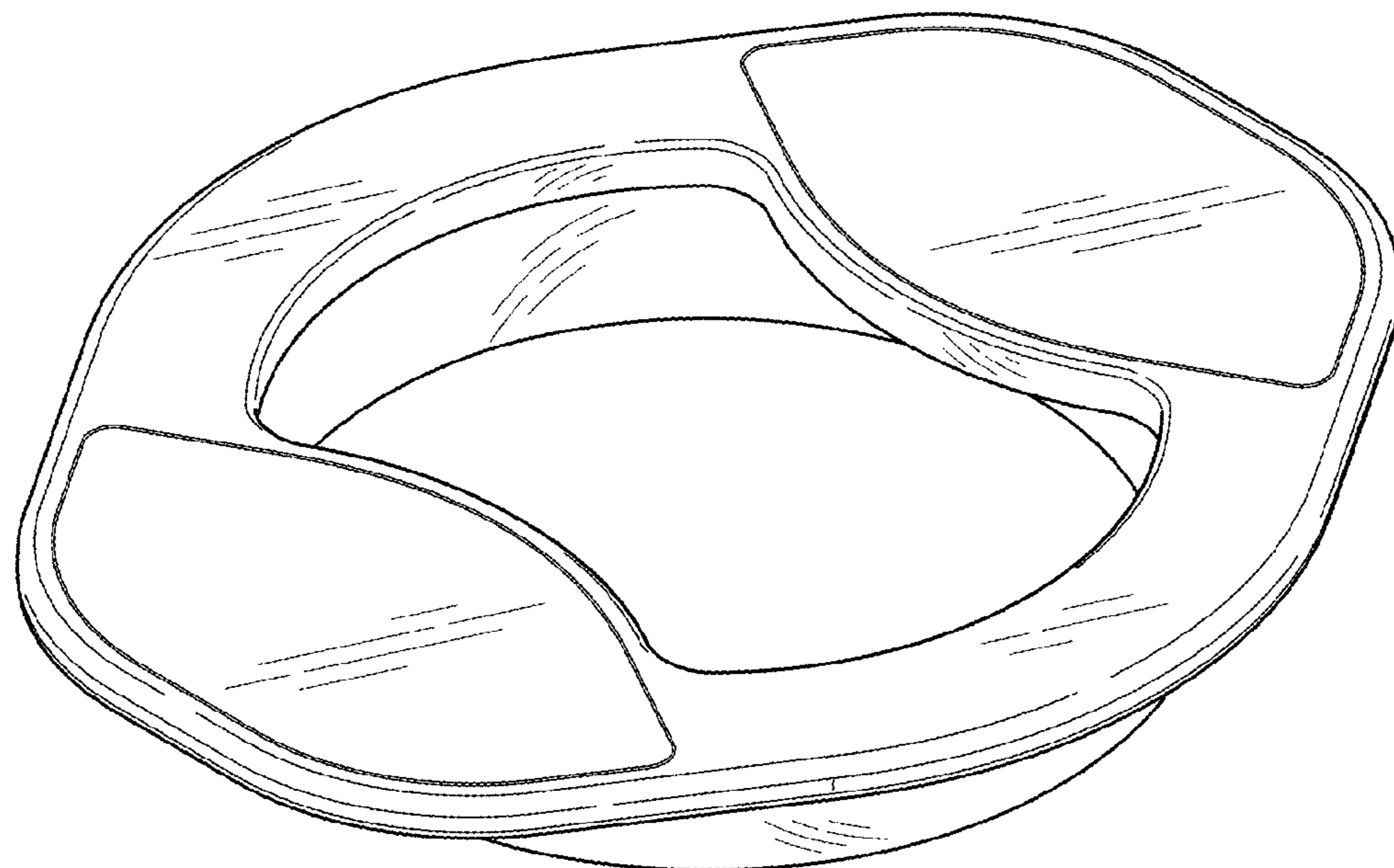
(57) **CLAIM**

The ornamental design for a depressor, as shown and described.

**DESCRIPTION**

FIG. 1 is a top perspective view of a depressor;  
FIG. 2 is a front view of the depressor;  
FIG. 3 is a rear view of the depressor;  
FIG. 4 is a right side view of the depressor;  
FIG. 5 is a left side view of the depressor;  
FIG. 6 is a top view of the depressor; and,  
FIG. 7 is a bottom view of the depressor.

**1 Claim, 4 Drawing Sheets**



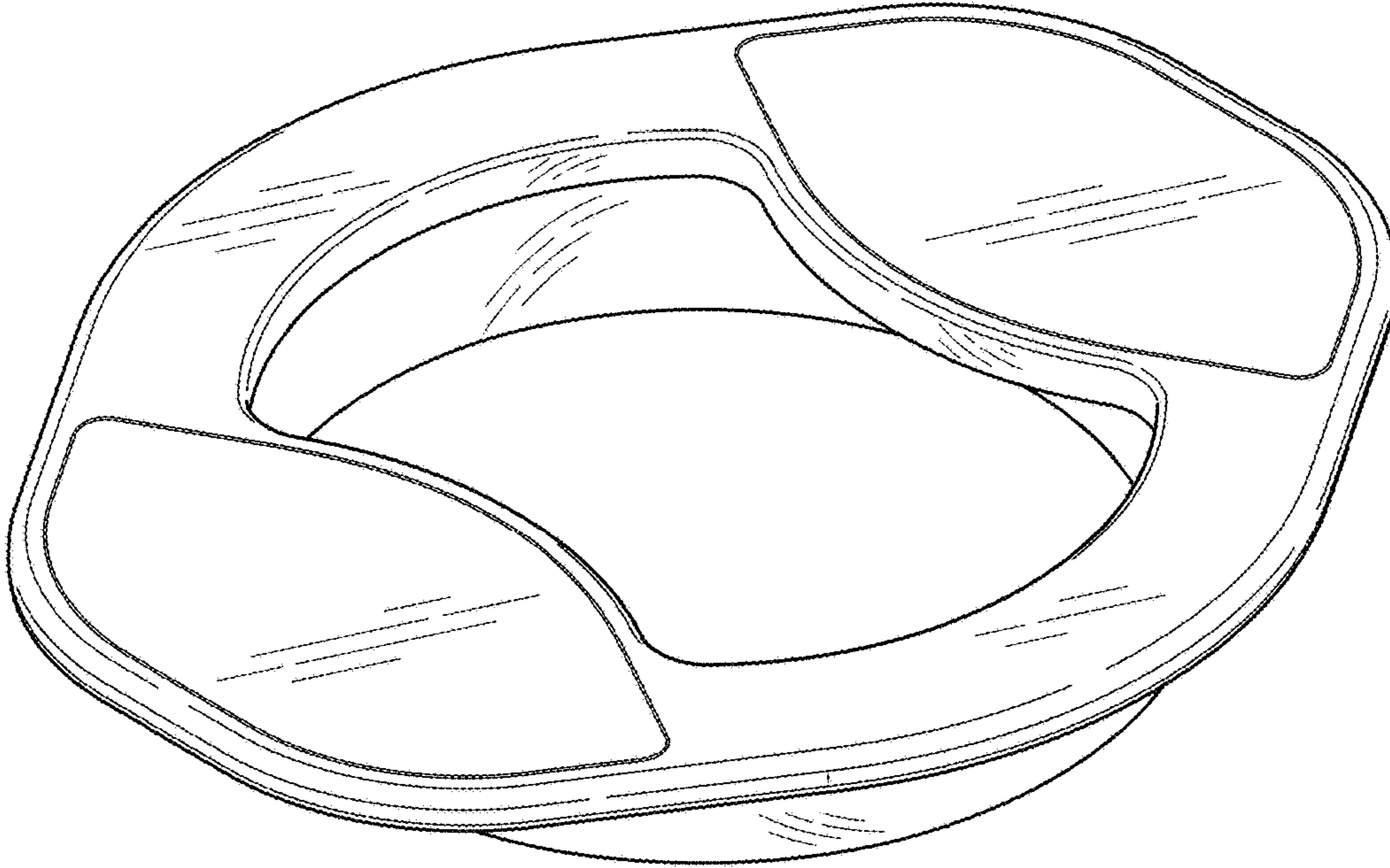


FIG. 1

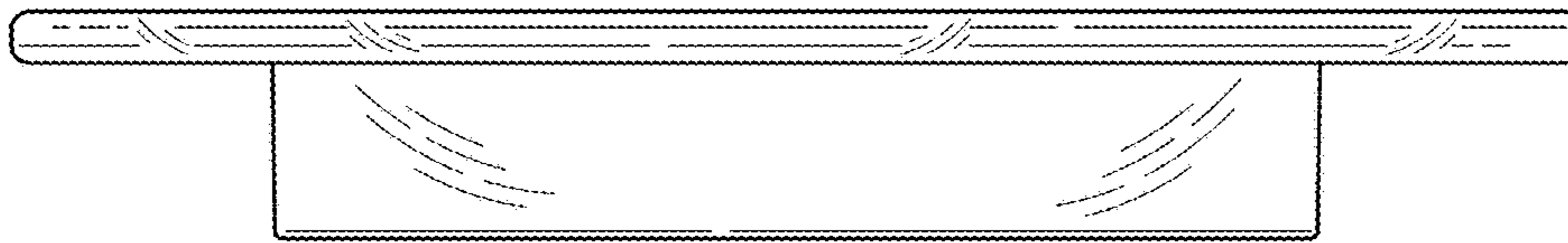


FIG. 2

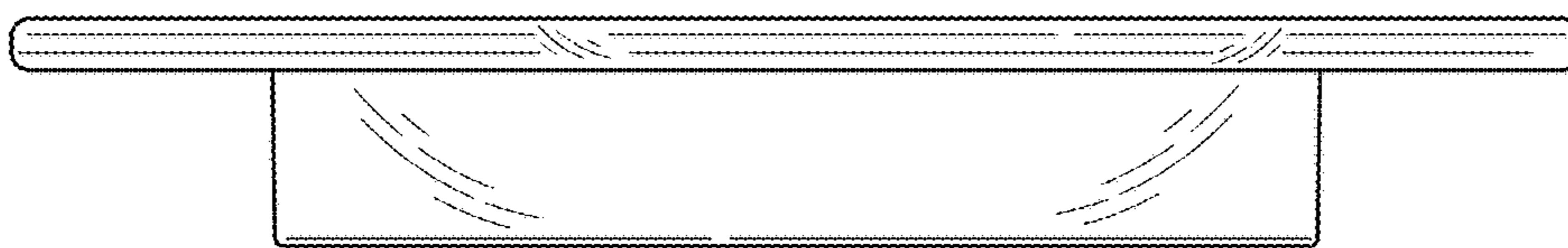


FIG. 3

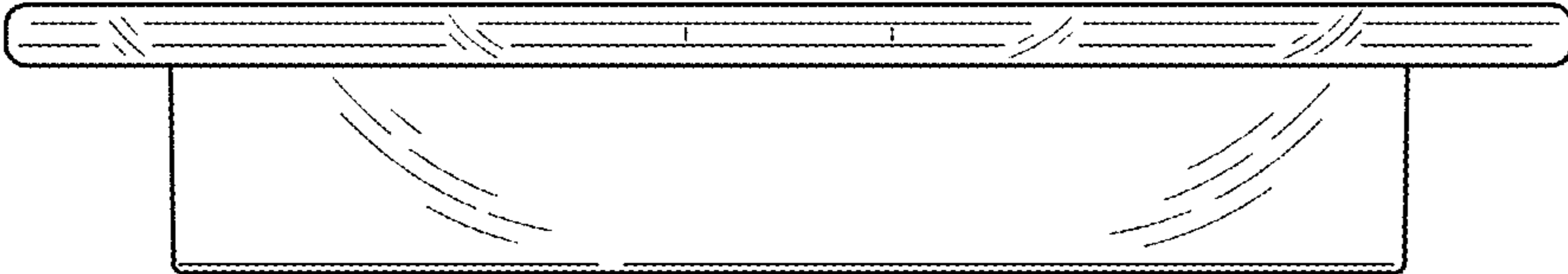


FIG. 4

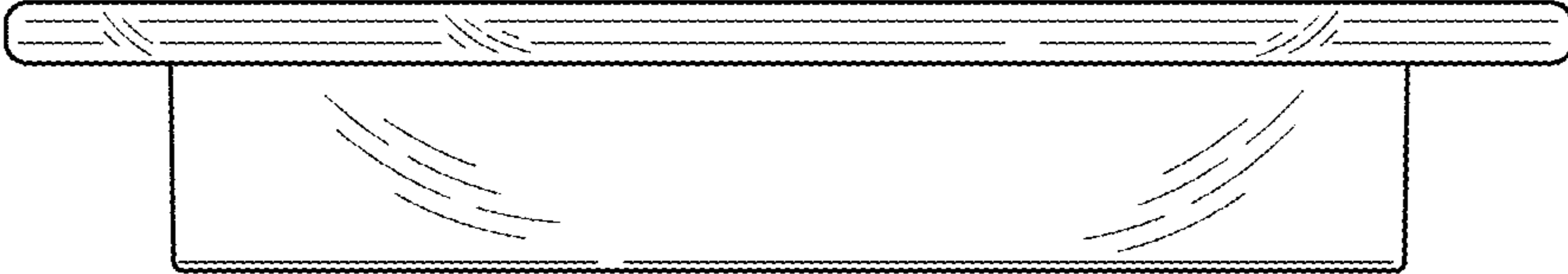


FIG. 5

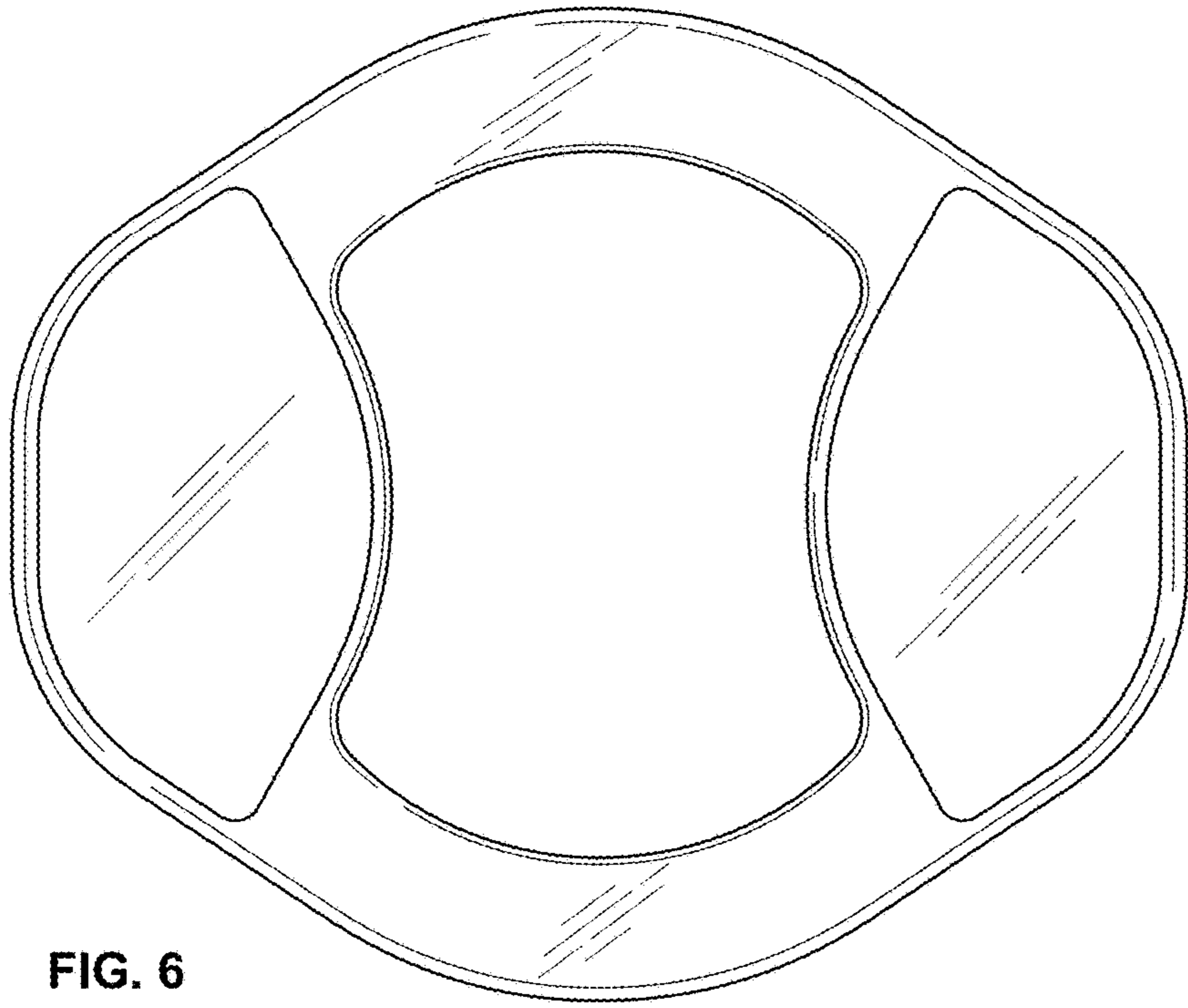


FIG. 6

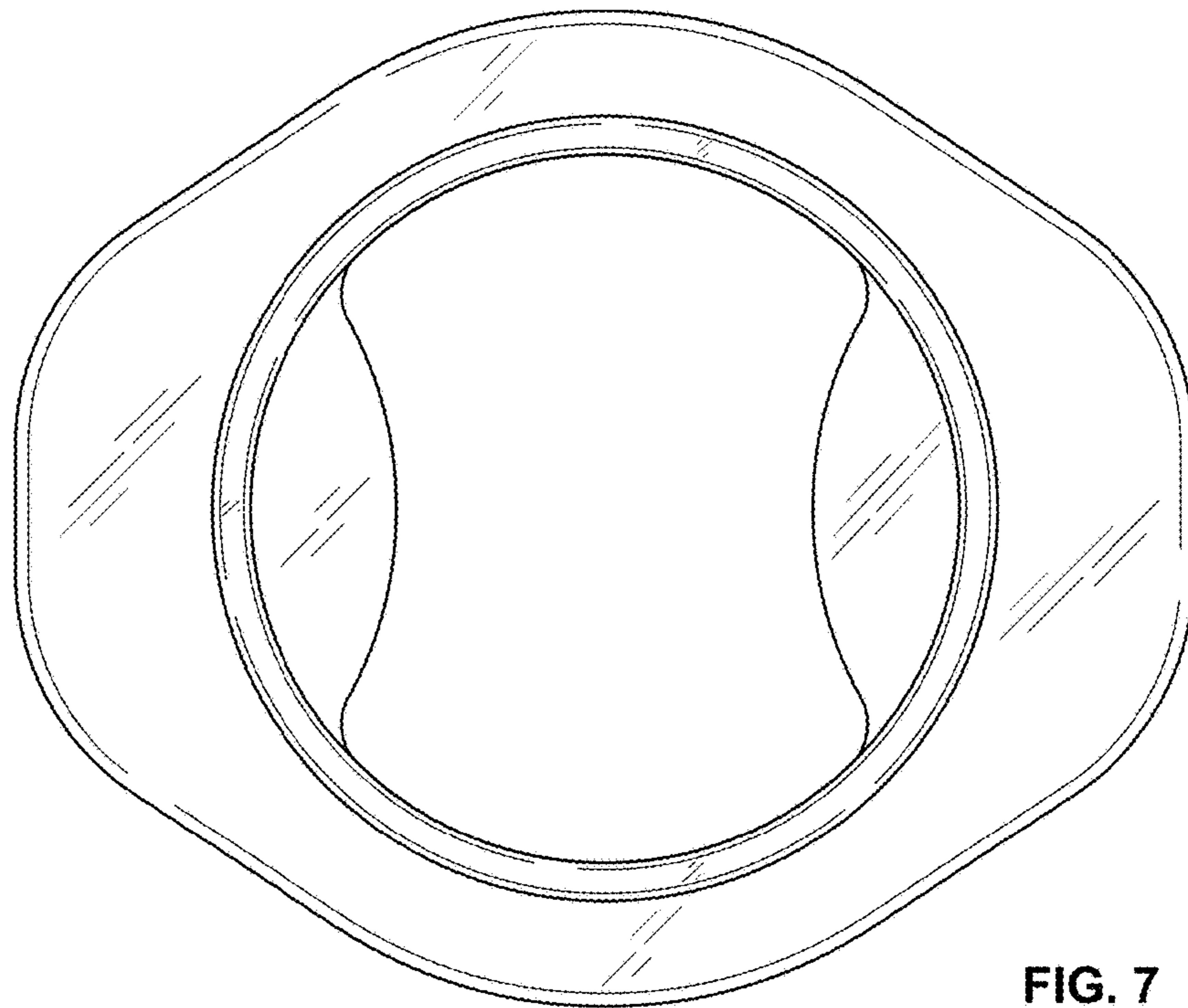


FIG. 7