



US00D829338S

(12) **United States Design Patent**
Tremblay et al.

(10) **Patent No.:** **US D829,338 S**

(45) **Date of Patent:** **** Sep. 25, 2018**

(54) **MEMBRANE HOLDER**

(71) Applicant: **Charles River Laboratories, Inc.**,
Wilmington, MA (US)

(72) Inventors: **Jason Tremblay**, Mount Pleasant, SC
(US); **Dana M. Nutter**, Charleston, SC
(US); **Elizabeth Mills**, Charleston, SC
(US); **Luca Nicoli**, Mount Pleasant, SC
(US); **Eric Stimpson**, Mountain View,
CA (US); **Thomas Preidel**, Uslar (DE);
Michael Braun, Bovenden (DE)

(73) Assignee: **Charles River Laboratories, Inc.**,
Wilmington, MA (US)

(**) Term: **15 Years**

(21) Appl. No.: **29/604,041**

(22) Filed: **May 15, 2017**

(51) **LOC (11) Cl.** **24-01**

(52) **U.S. Cl.**
USPC **D24/224**

(58) **Field of Classification Search**
USPC D24/121, 162, 216, 223–226;
D9/503–504, 529, 548, 549; D7/510,
D7/511, 523
CPC G01N 2001/4088; B01D 2201/301; B01D
2325/02; B01D 29/58; B01L 2300/0681;
B01L 2400/0683
See application file for complete search history.

(56) **References Cited**

U.S. PATENT DOCUMENTS

7,977,090 B2 * 7/2011 Hicks B01D 29/01
435/308.1
D698,940 S * 2/2014 Pribenszky D24/224

D705,439 S * 5/2014 Wainwright D24/216
D717,464 S * 11/2014 Wainwright D24/162
8,993,260 B2 * 3/2015 Stimpson C12Q 1/04
435/34
D740,345 S * 10/2015 Fujita D16/219
D743,034 S * 11/2015 Ebi D24/162
D776,295 S * 1/2017 Wainwright D24/224
2007/0196237 A1 * 8/2007 Neuzil B01L 3/50851
422/67
2007/0289983 A1 * 12/2007 Maruhnich A47J 27/00
220/742
2010/0152660 A1 * 6/2010 Mack A61M 5/20
604/136
2017/0183707 A1 * 6/2017 Wainwright C12Q 1/24

* cited by examiner

Primary Examiner — Anhdao Doan

Assistant Examiner — Mary Shannon Malley

(74) *Attorney, Agent, or Firm* — Goodwin Procter LLP

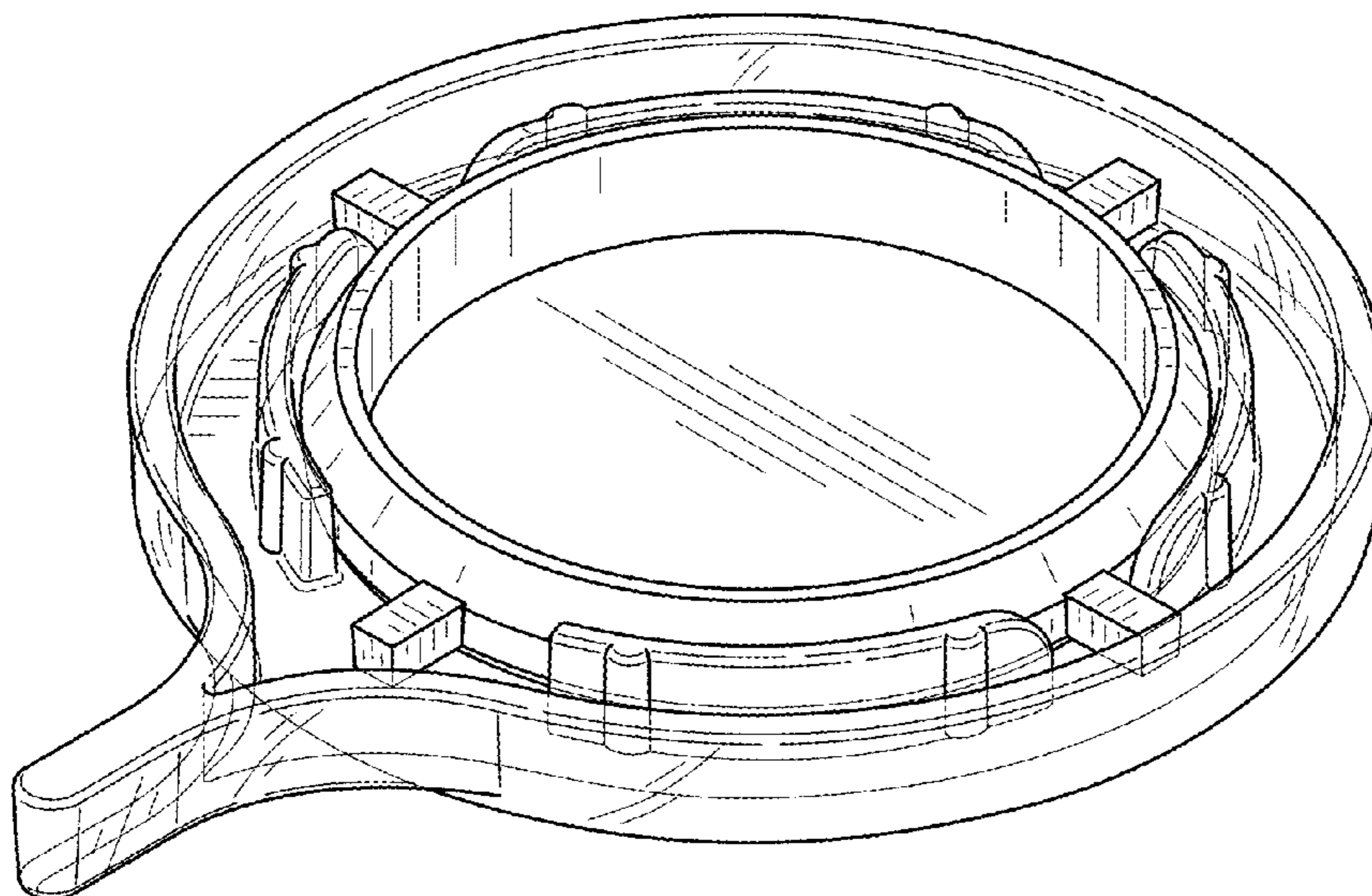
(57) **CLAIM**

The ornamental design for a membrane holder, as shown and described.

DESCRIPTION

FIG. 1 is a top perspective view of a membrane holder;
FIG. 2 is a front view of the membrane holder;
FIG. 3 is a rear view of the membrane holder;
FIG. 4 is a right side view of the membrane holder;
FIG. 5 is a left side view of the membrane holder;
FIG. 6 is a top view of the membrane holder; and,
FIG. 7 is a bottom view of the membrane holder.

1 Claim, 4 Drawing Sheets



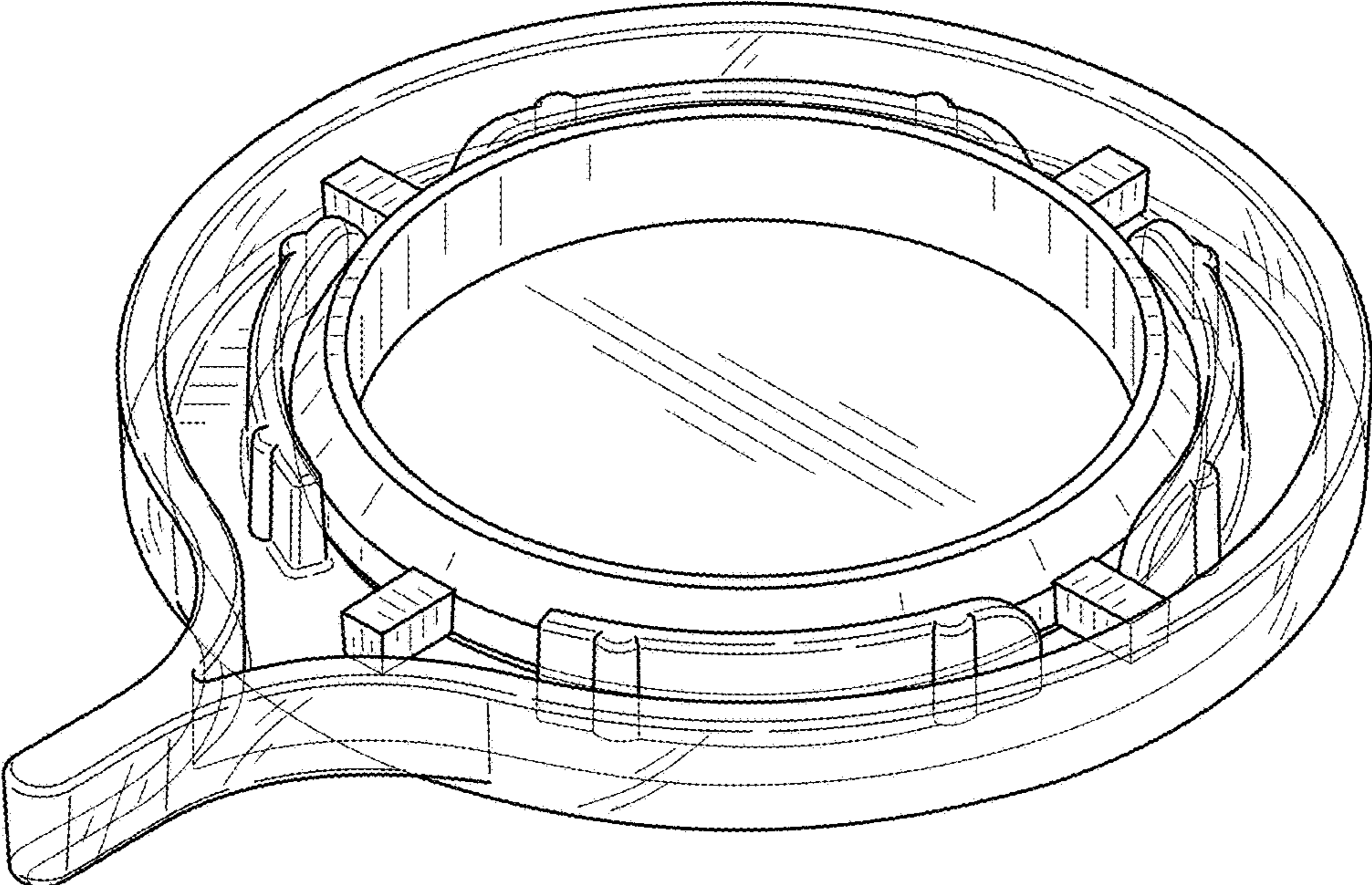


FIG. 1

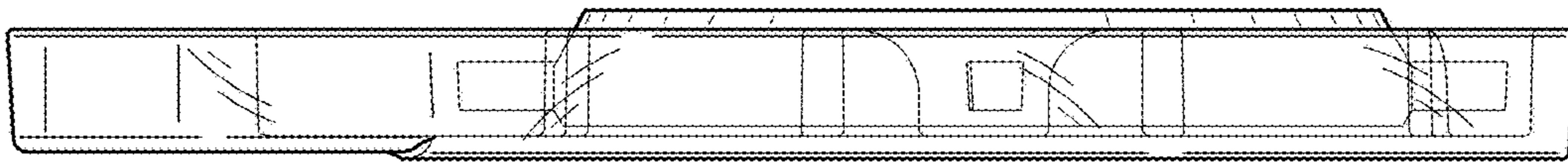


FIG. 2

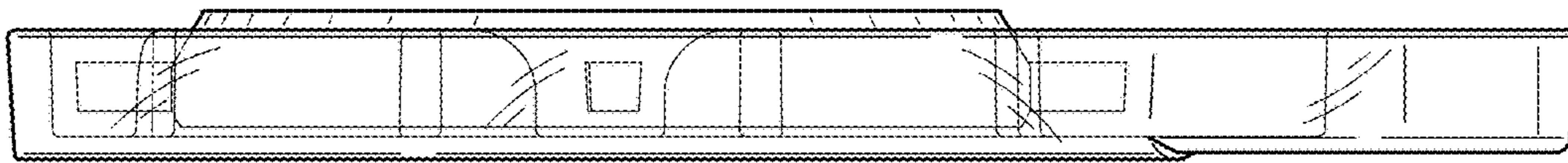


FIG. 3

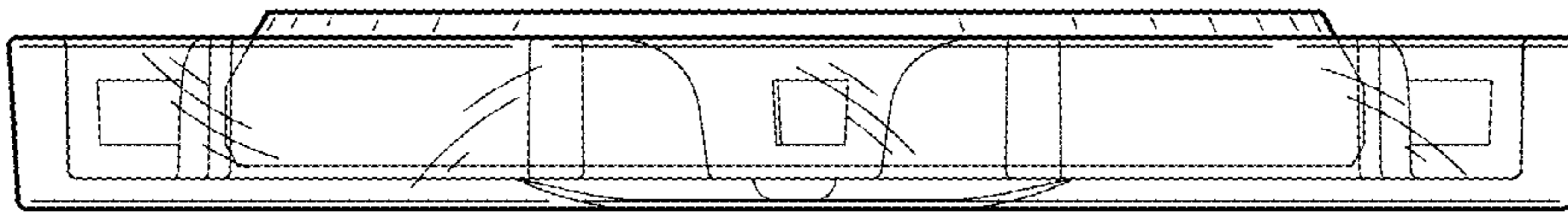


FIG. 4

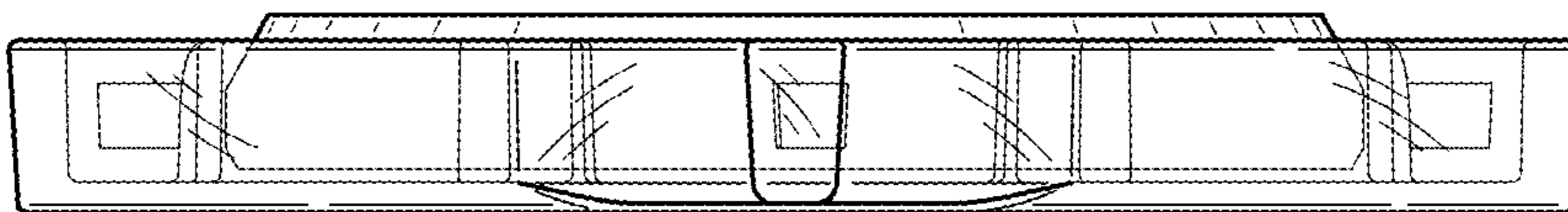


FIG. 5

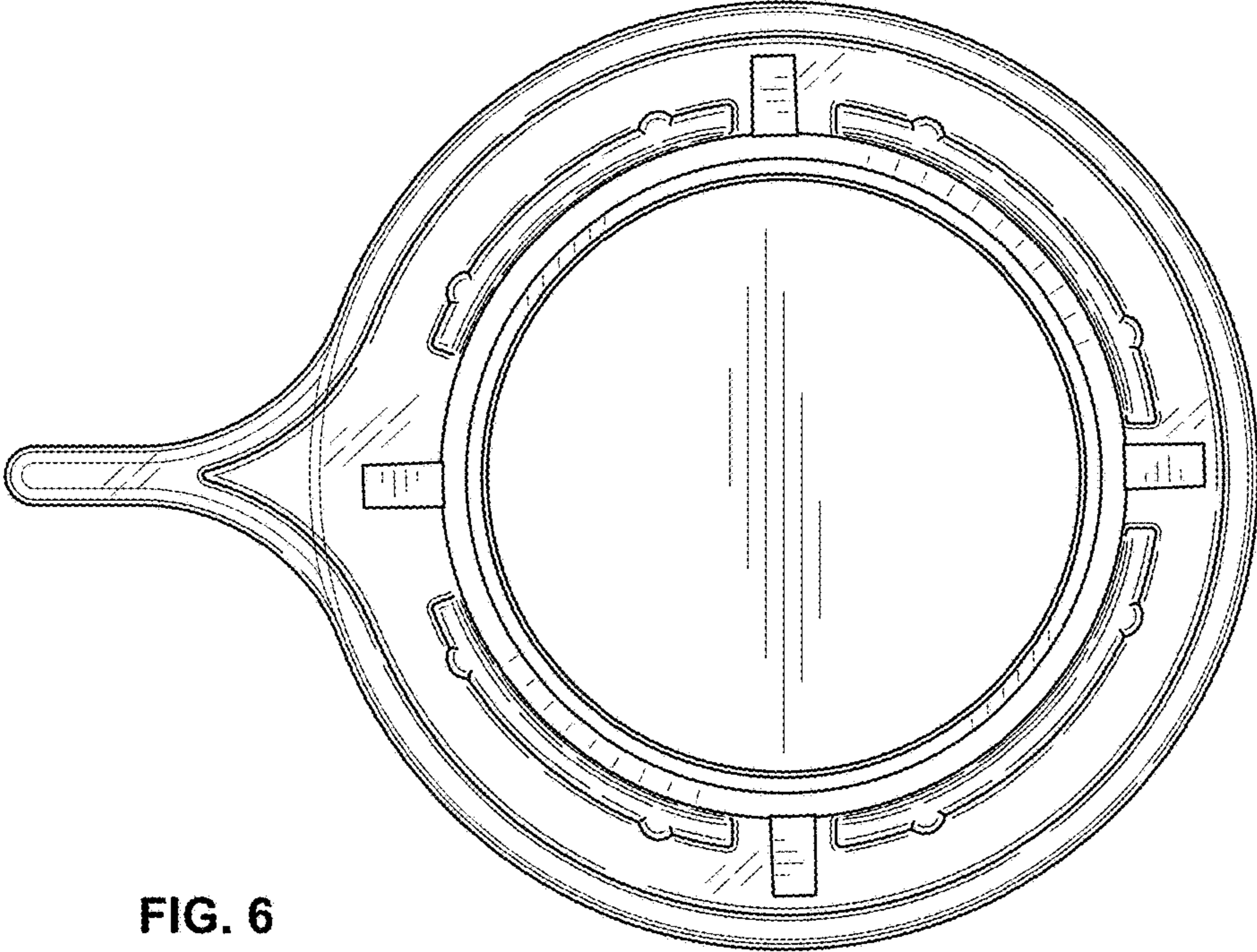


FIG. 6

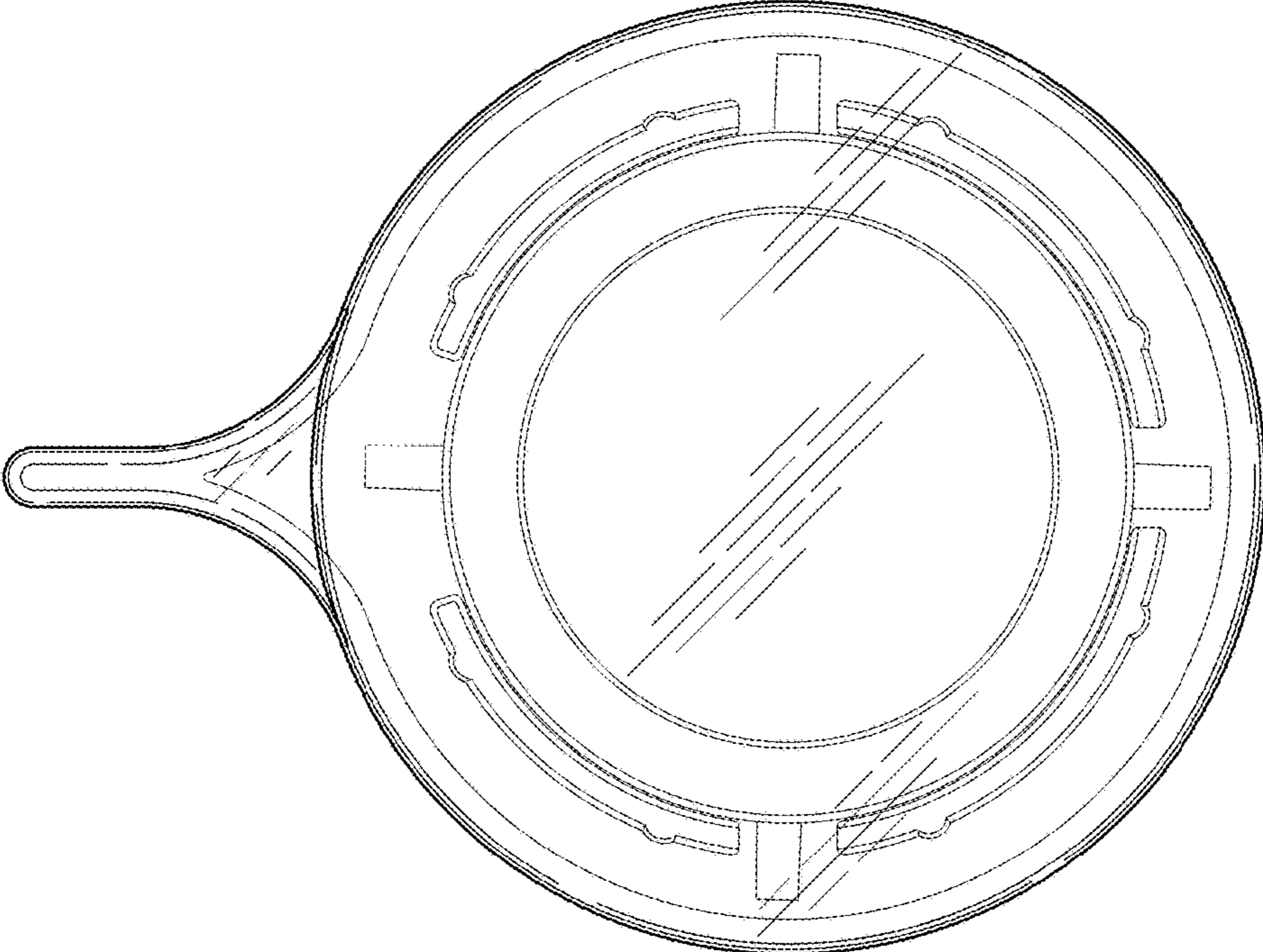


FIG. 7