

US00D829333S

(12) **United States Design Patent** (10) **Patent No.:** **US D829,333 S**
Shin et al. (45) **Date of Patent:** **** Sep. 25, 2018**

(54) **SKIN CARE DEVICE**

(56) **References Cited**

(71) Applicant: **LG ELECTRONICS INC.**, Seoul (KR)

U.S. PATENT DOCUMENTS

(72) Inventors: **Daekee Shin**, Seoul (KR); **Hophil Lee**, Seoul (KR); **Sunjung Park**, Seoul (KR); **Seunghee Ha**, Seoul (KR)

D700,964 S *	3/2014	Krishnan	D10/81
D700,965 S *	3/2014	Krishnan	D10/81
D719,651 S *	12/2014	Hoffmann	D24/133
D724,726 S *	3/2015	Prokop	D24/133
D740,413 S *	10/2015	Helmbold	D24/133
D747,477 S *	1/2016	Freigang	D24/133
D747,800 S *	1/2016	Dunleavy	D24/133

(73) Assignee: **LG ELECTRONICS INC.**, Seoul (KR)

* cited by examiner

(**) Term: **15 Years**

Primary Examiner — Manpreet S Matharu

Assistant Examiner — Eliza Z Bennett-Hattan

(21) Appl. No.: **35/502,271**

(74) *Attorney, Agent, or Firm* — Birch, Stewart, Kolasch & Birch, LLP

(22) Filed: **Jul. 8, 2016**

(57) **CLAIM**

(80) **Hague Agreement Data**

The ornamental design for a skin care device, as shown and described.

Int. Filing Date: **Jul. 8, 2016**

Int. Reg. No.: **DM/091770**

Int. Reg. Date: **Jul. 8, 2016**

Int. Reg. Pub. Date: **Jan. 13, 2017**

DESCRIPTION

(30) **Foreign Application Priority Data**

Jan. 11, 2016 (KR) 30-2016-0001239

(51) **LOC (11) Cl.** **28-03**

(52) **U.S. Cl.**
USPC **D24/209**

(58) **Field of Classification Search**
USPC D24/133, 147, 185, 203, 206, 209, 214, D24/215; D23/229

CPC A61B 18/203; A61B 2018/0047; A61B 18/14; A61B 18/18; A61B 2017/00747; A61B 2018/00005; A61B 2018/1807; A61B 2018/1467; A61B 2018/00458

1. Skin Care Device

1.1 is a front perspective view of a skin care device;

1.2 is a front view thereof;

1.3 is a back view thereof;

1.4 is a right side view thereof;

1.5 is a left side view thereof;

1.6 is a top view thereof;

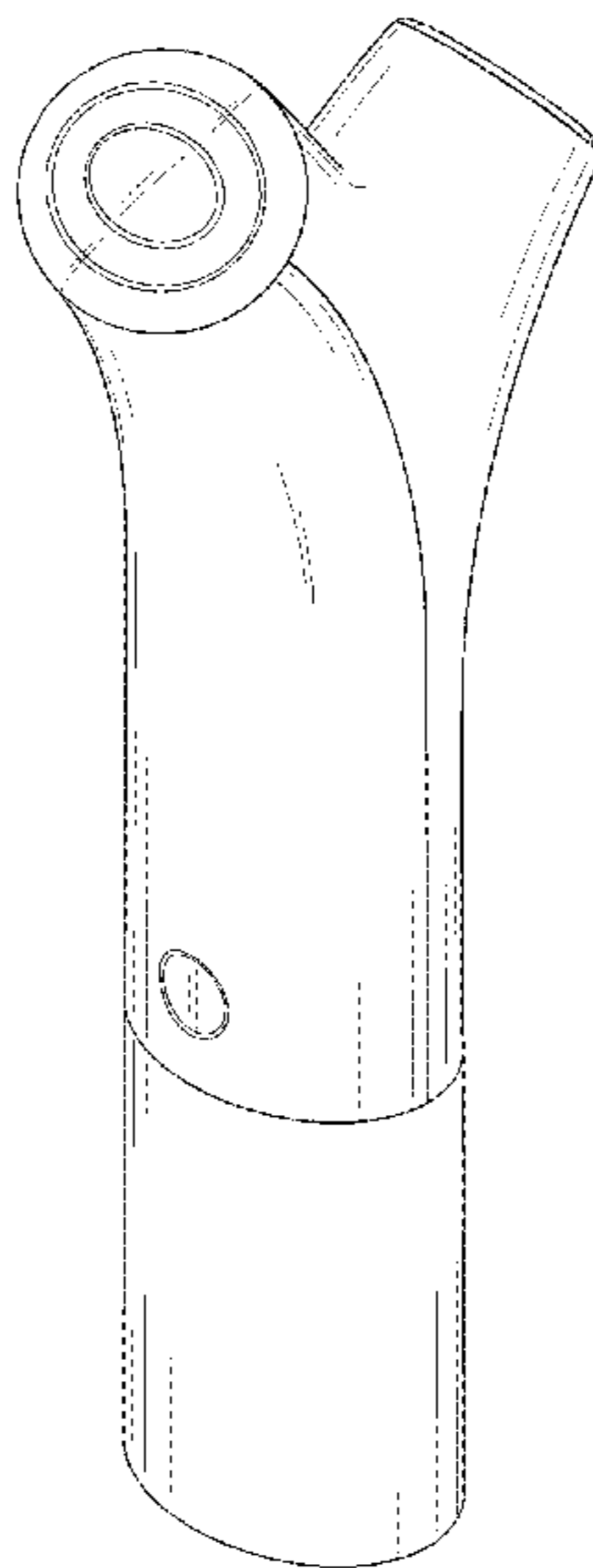
1.7 is a bottom view thereof; and

1.8 is a front perspective view in a position of use.

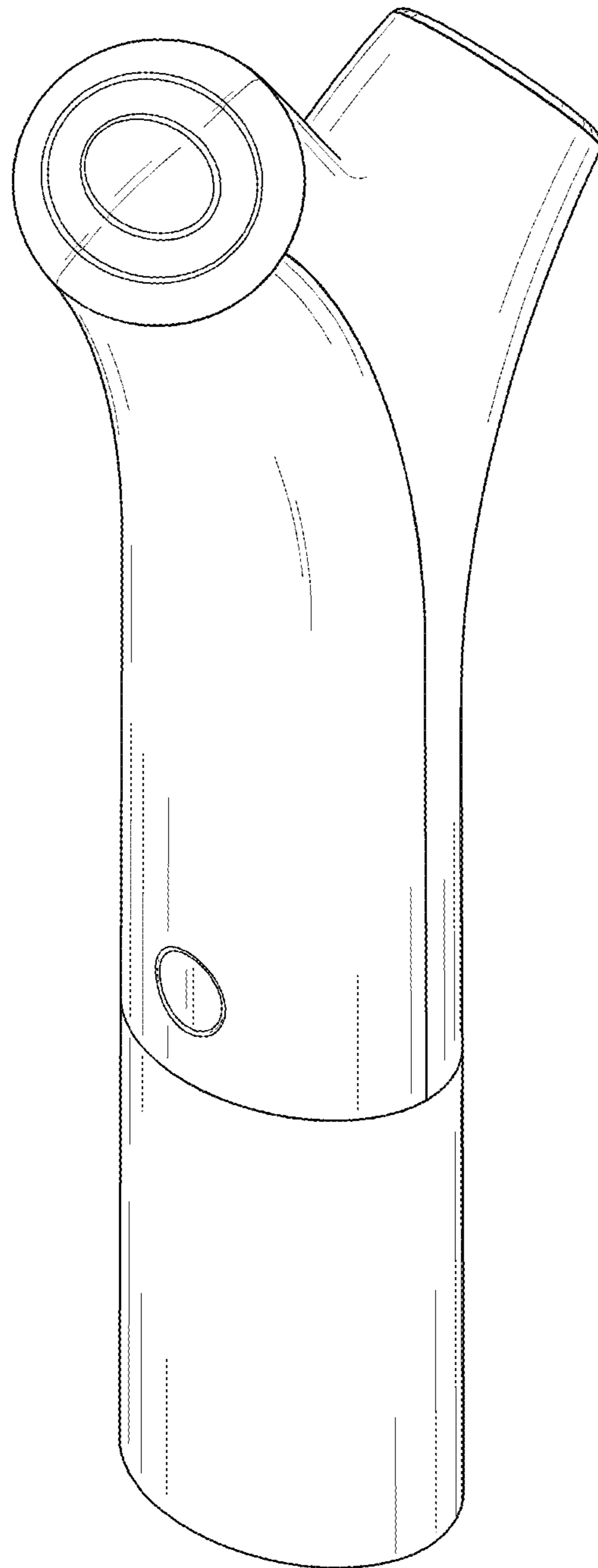
The broken lines in figure 1.7 shown immediately adjacent to the claim represent the bounds of the claimed design while all other broken lines in figure 1.7 are for the purpose of illustrating portions of the skin care device; the broken line showing in figure 1.8 is for the purpose of illustrating environmental structure; the broken lines form no part of the claimed design.

See application file for complete search history.

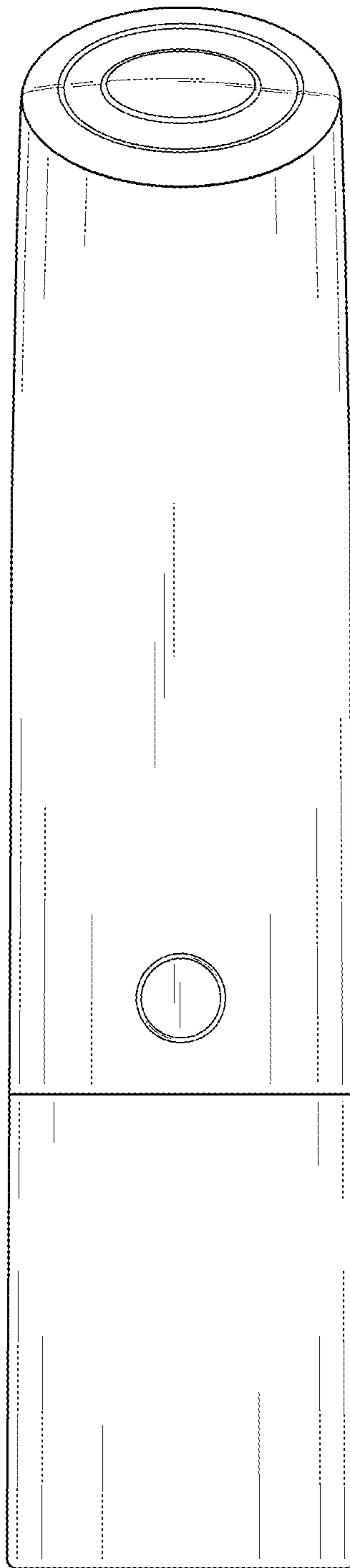
1 Claim, 8 Drawing Sheets



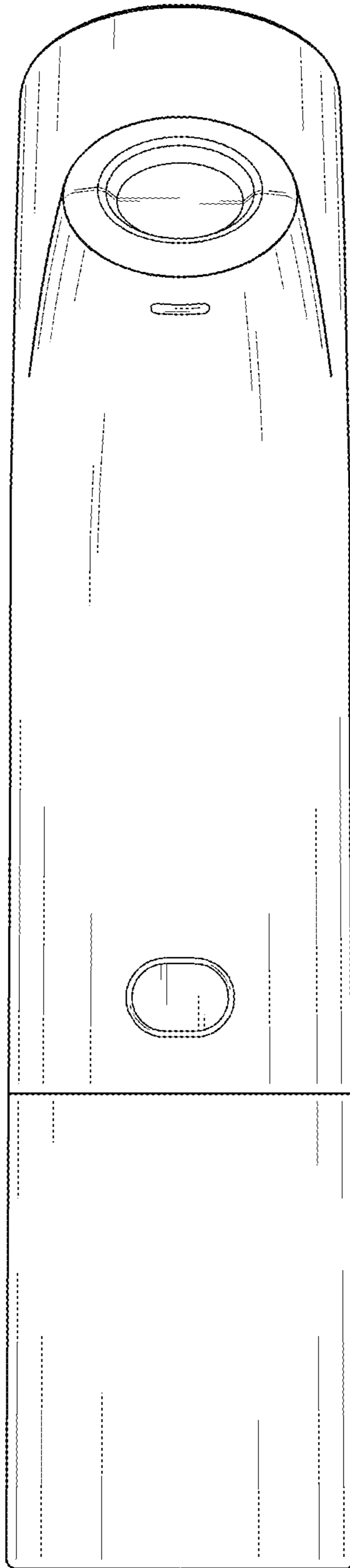
1.1



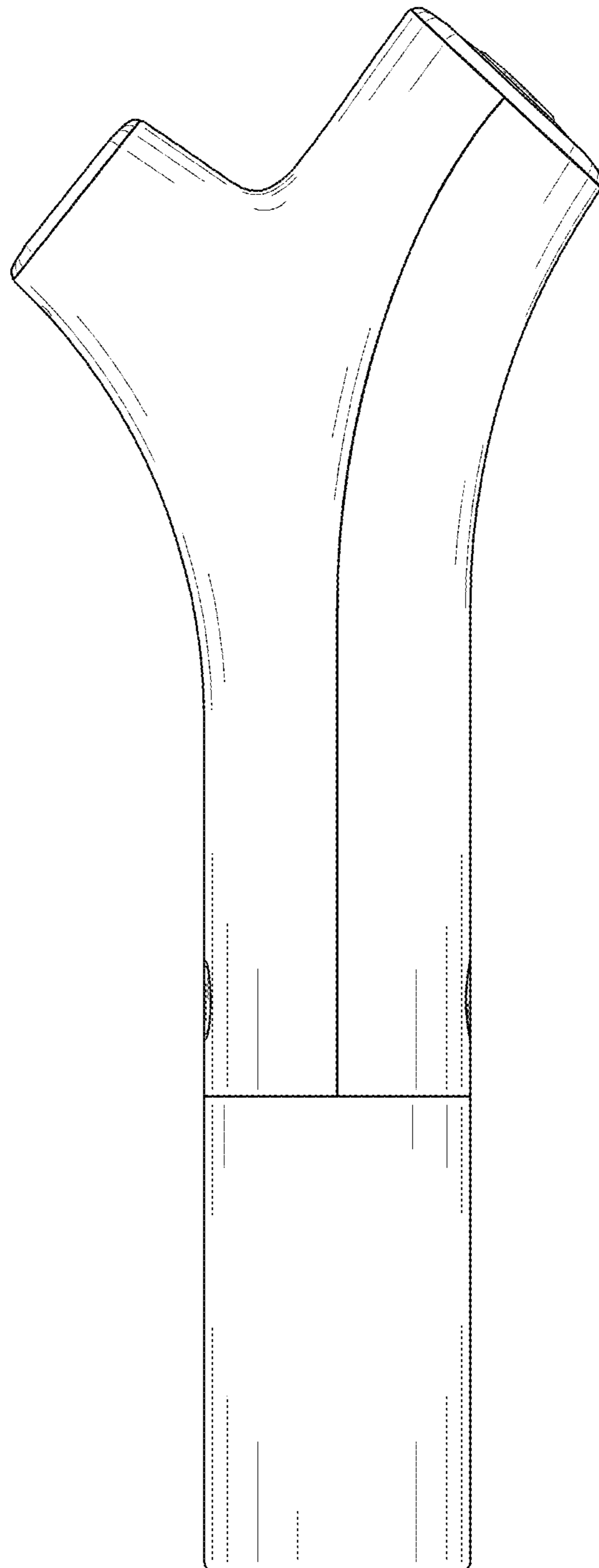
1.2



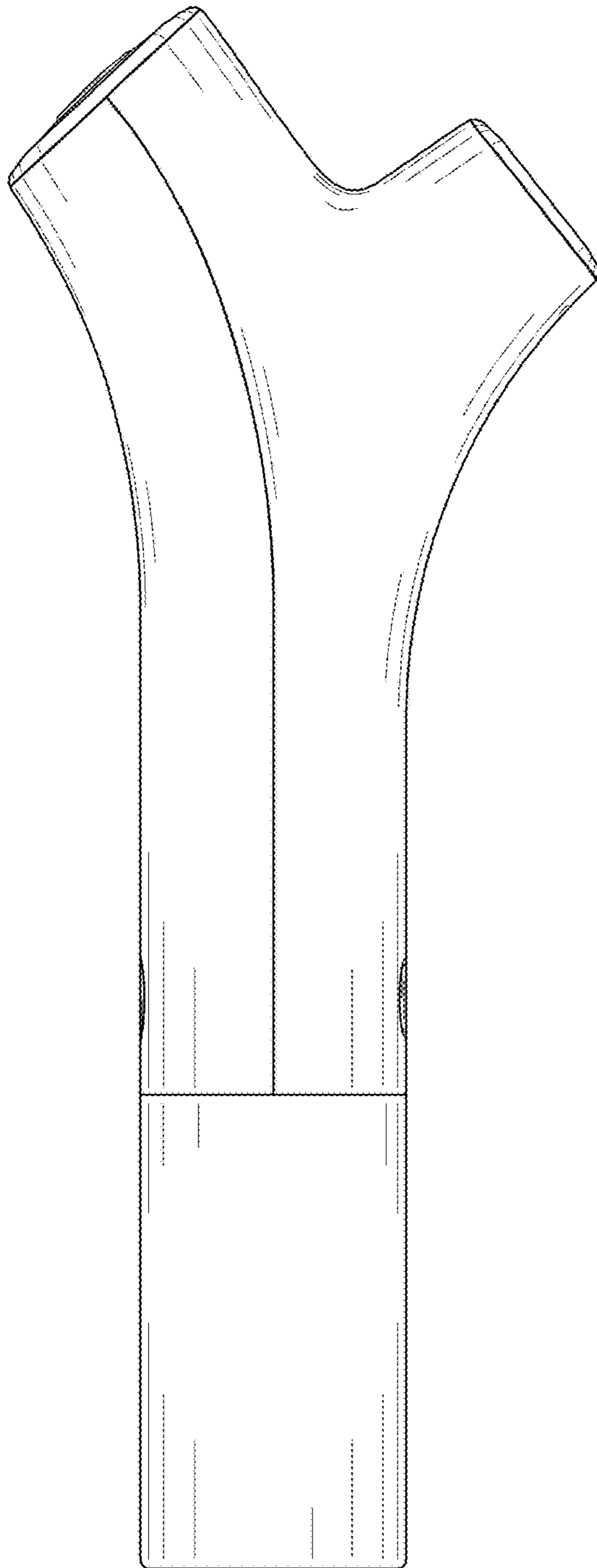
1.3



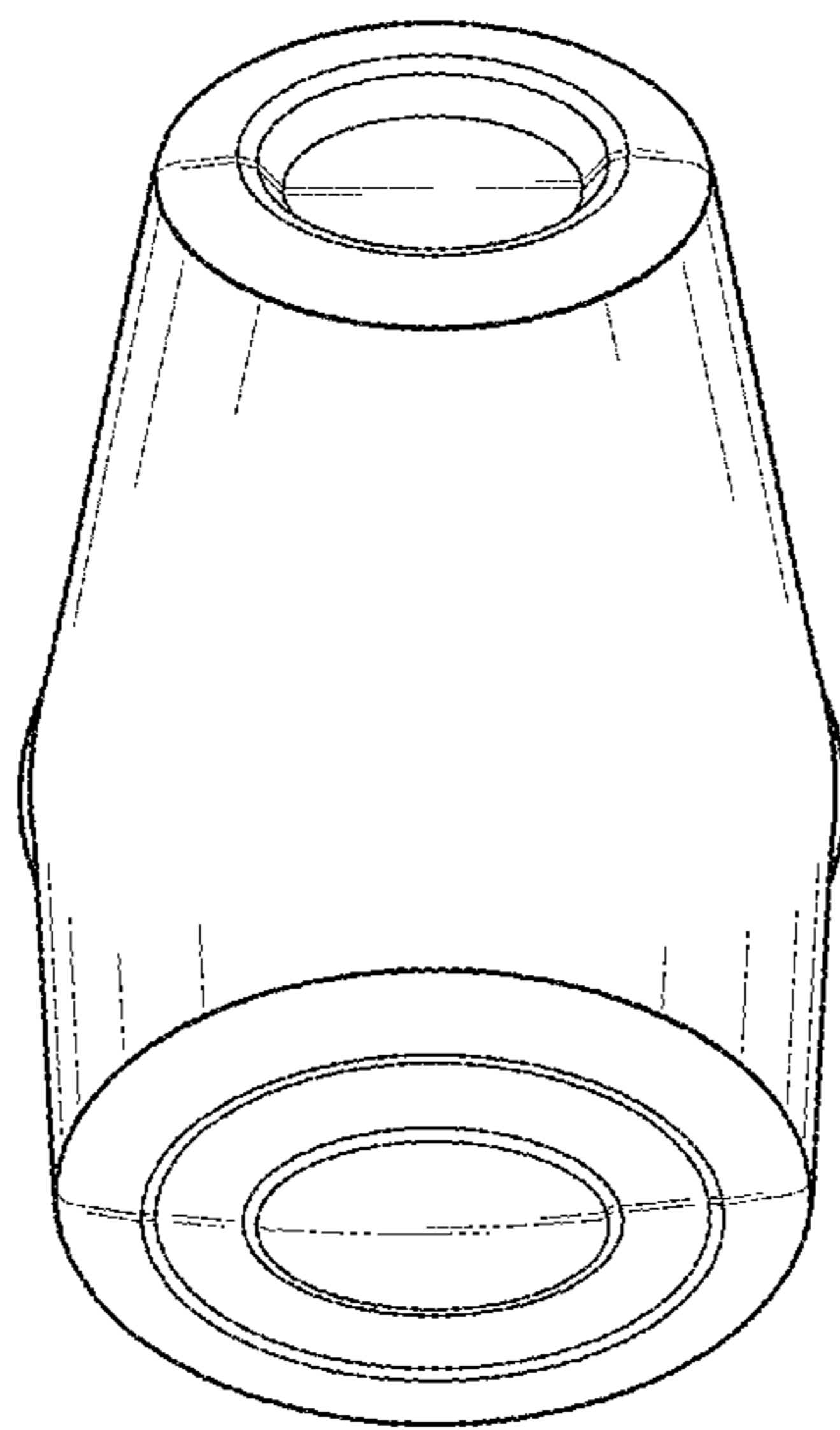
1.4



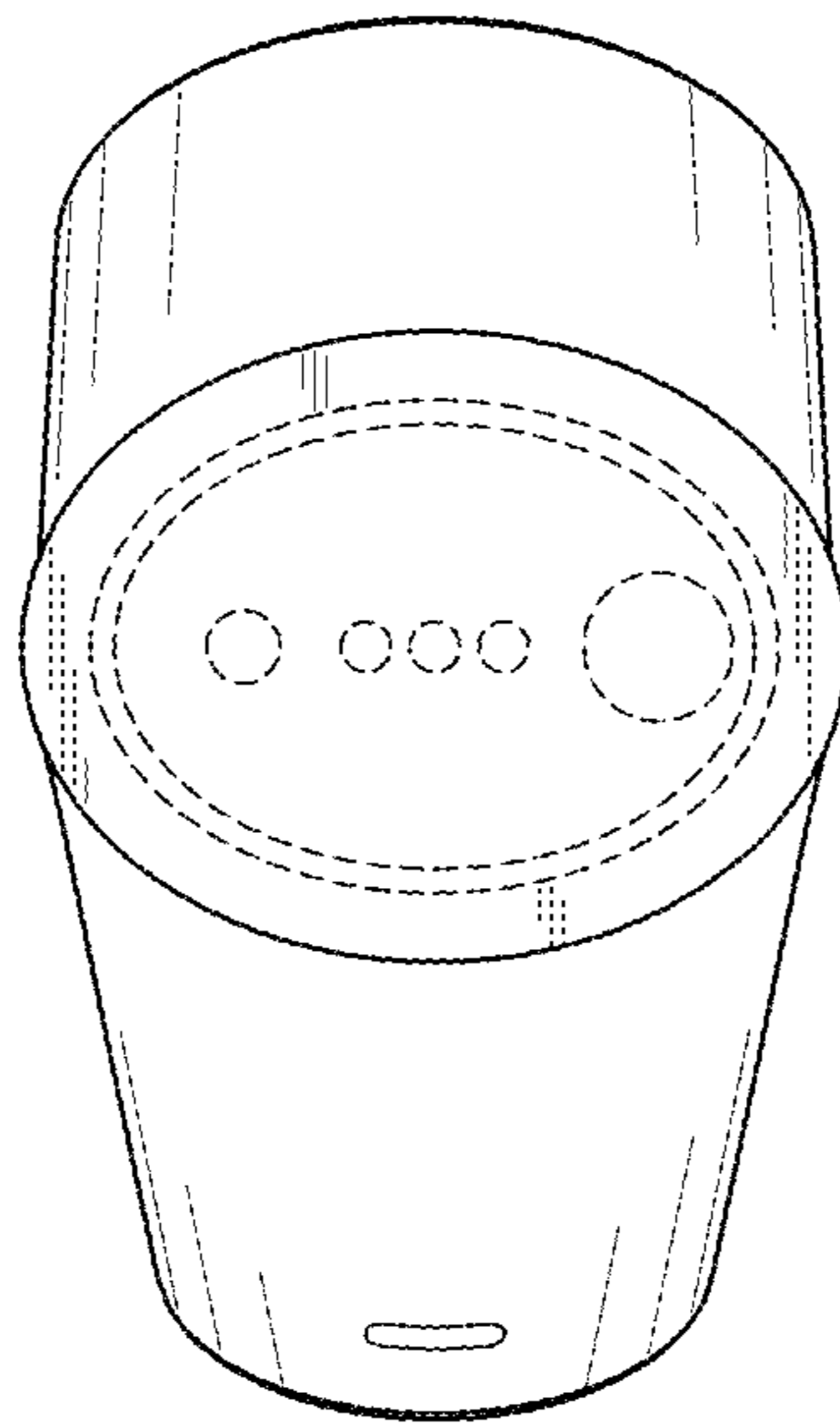
1.5



1.6



1.7



1.8

