



US00D829332S

(12) **United States Design Patent** (10) **Patent No.:** **US D829,332 S**
Chears-Young (45) **Date of Patent:** **** Sep. 25, 2018**

- (54) **WRIST BRACE**
- (71) Applicant: **Precise Data Consulting, LLC**, Little Rock, AR (US)
- (72) Inventor: **Julia Chears-Young**, Little Rock, AR (US)
- (73) Assignee: **Precise Data Consulting, LLC**, Little Rock, AR (US)
- (**) Term: **15 Years**
- (21) Appl. No.: **29/646,681**
- (22) Filed: **May 7, 2018**
- (51) **LOC (11) Cl.** **24-04**
- (52) **U.S. Cl.**
USPC **D24/190**
- (58) **Field of Classification Search**
USPC D24/190-192; D2/618, 619, 621, 610;
D29/113, 117.1-119, 120.1, 123
CPC A61F 5/0118; A61F 13/04; A61F 13/085;
A61F 5/01; A61F 5/05866; A61H 9/0078;
A61H 9/0092; A41D 13/088; A41D
13/08; A41D 13/081
See application file for complete search history.

(56) **References Cited**

U.S. PATENT DOCUMENTS

5,600,849	A	2/1997	Hu	
5,695,453	A *	12/1997	Neal	A61F 5/0118 602/21
D496,465	S *	9/2004	Weaver, II	D24/190
D528,263	S *	9/2006	Van Trojen	D2/610
D580,555	S	11/2008	Lin et al.	
D581,539	S *	11/2008	Rotter	D24/190
D617,464	S	6/2010	Weaver, II et al.	
7,914,475	B2	3/2011	Wyatt et al.	
D656,685	S *	3/2012	Best	D29/120.1
D665,088	S *	8/2012	Joseph	D24/190
D665,539	S *	8/2012	Manalo	D29/120.1

D692,619	S *	10/2013	Best	D29/120.1
D767,774	S	9/2016	Wellendorf et al.	
D770,633	S *	11/2016	Tanaka	D24/190
D808,027	S *	1/2018	Lane	D24/190
2004/0049141	A1	3/2004	Slutterback et al.	
2009/0187126	A1 *	7/2009	Nelson	A61F 15/004 602/3
2015/0018738	A1 *	1/2015	Fried	A61F 5/013 602/21
2017/0014257	A1 *	1/2017	Wellendorf	A61F 5/05866

* cited by examiner

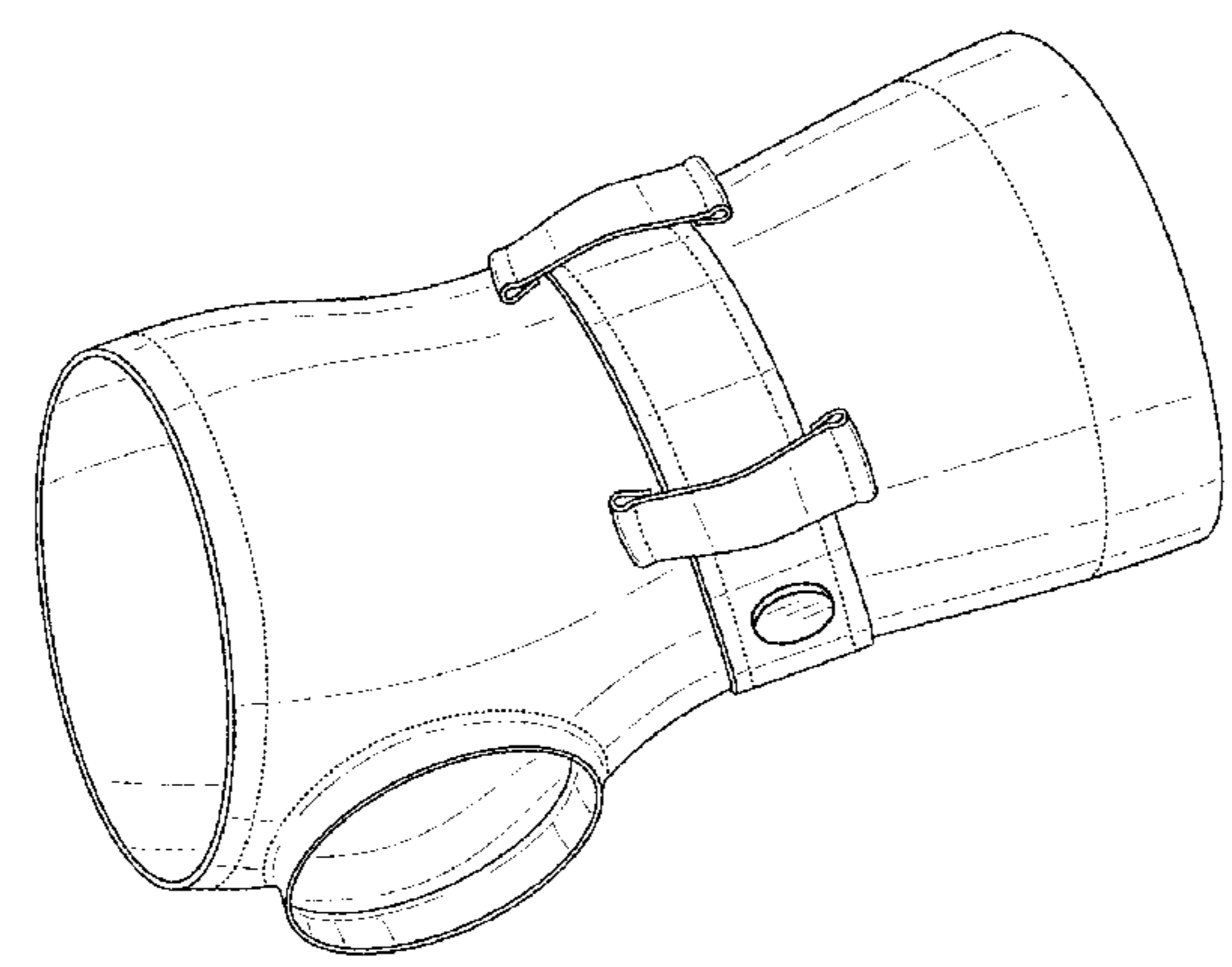
Primary Examiner — George D. Kirschbaum
Assistant Examiner — Jennifer Watkins
 (74) *Attorney, Agent, or Firm* — Rashauna Norment

(57) **CLAIM**
 The ornamental design for a wrist brace, as shown and described.

DESCRIPTION

FIG. 1 is a perspective view of a wrist brace, showing my new design;
 FIG. 2 is a front elevation view of FIG. 1 thereof;
 FIG. 3 is a rear elevation view of FIG. 1 thereof;
 FIG. 4 is a top plan view of FIG. 1 thereof;
 FIG. 5 is a bottom plan view of FIG. 1 thereof;
 FIG. 6 is a first side elevation view of FIG. 1 thereof;
 FIG. 7 is a second side elevation view of FIG. 1 thereof;
 FIG. 8 is another perspective view of FIG. 1 thereof, showing the strap opened;
 FIG. 9 is a front elevation view of FIG. 8 thereof; and,
 FIG. 10 is a perspective view of FIG. 1 thereof, showing the wrist brace in use.
 The broken lines showing a human hand in FIG. 10 represent environmental subject matter only and form no part of the claimed design. The broken lines shown around the perimeter of the wrist brace represent stitching and form part of the claimed design.

1 Claim, 7 Drawing Sheets



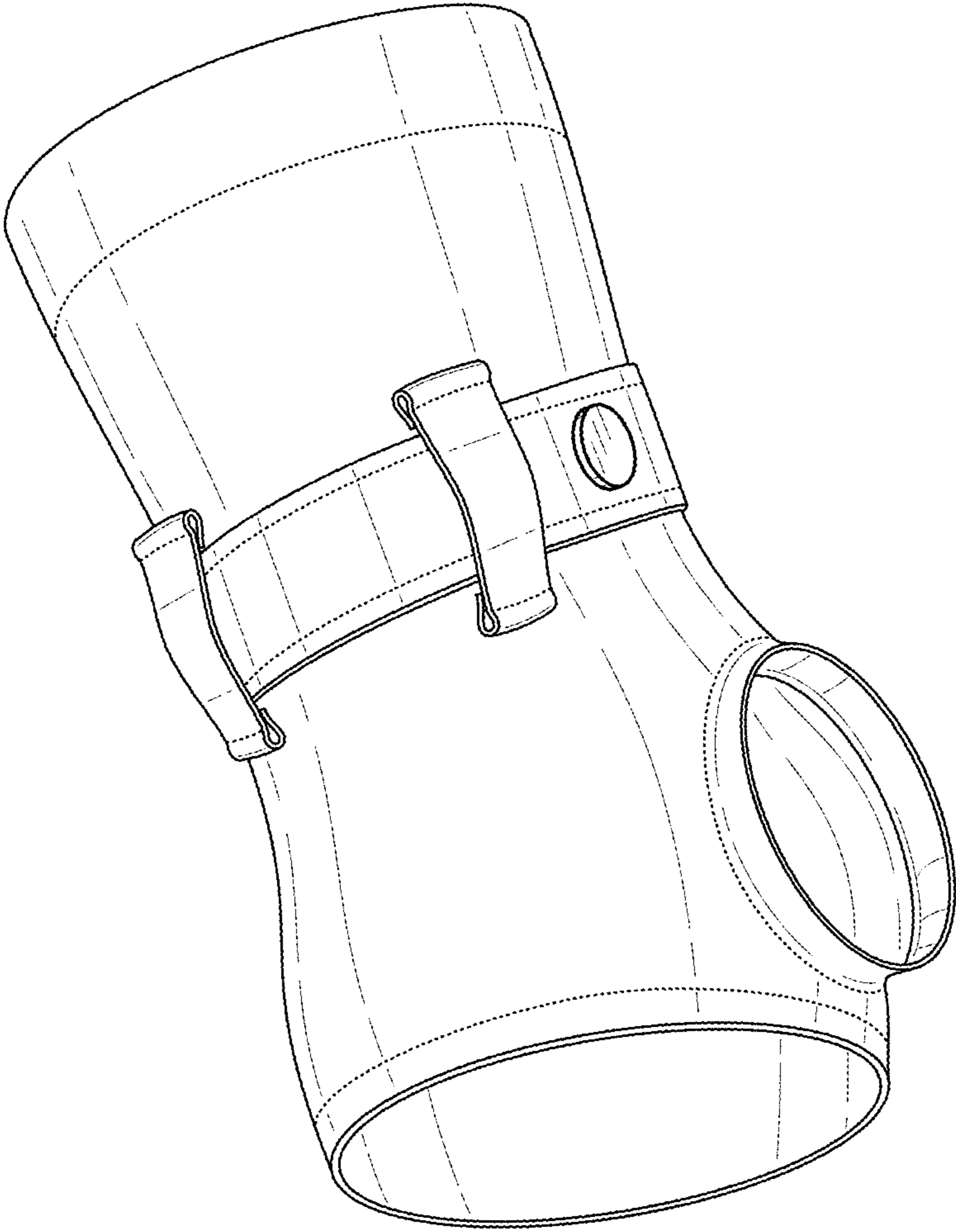


FIG. 1

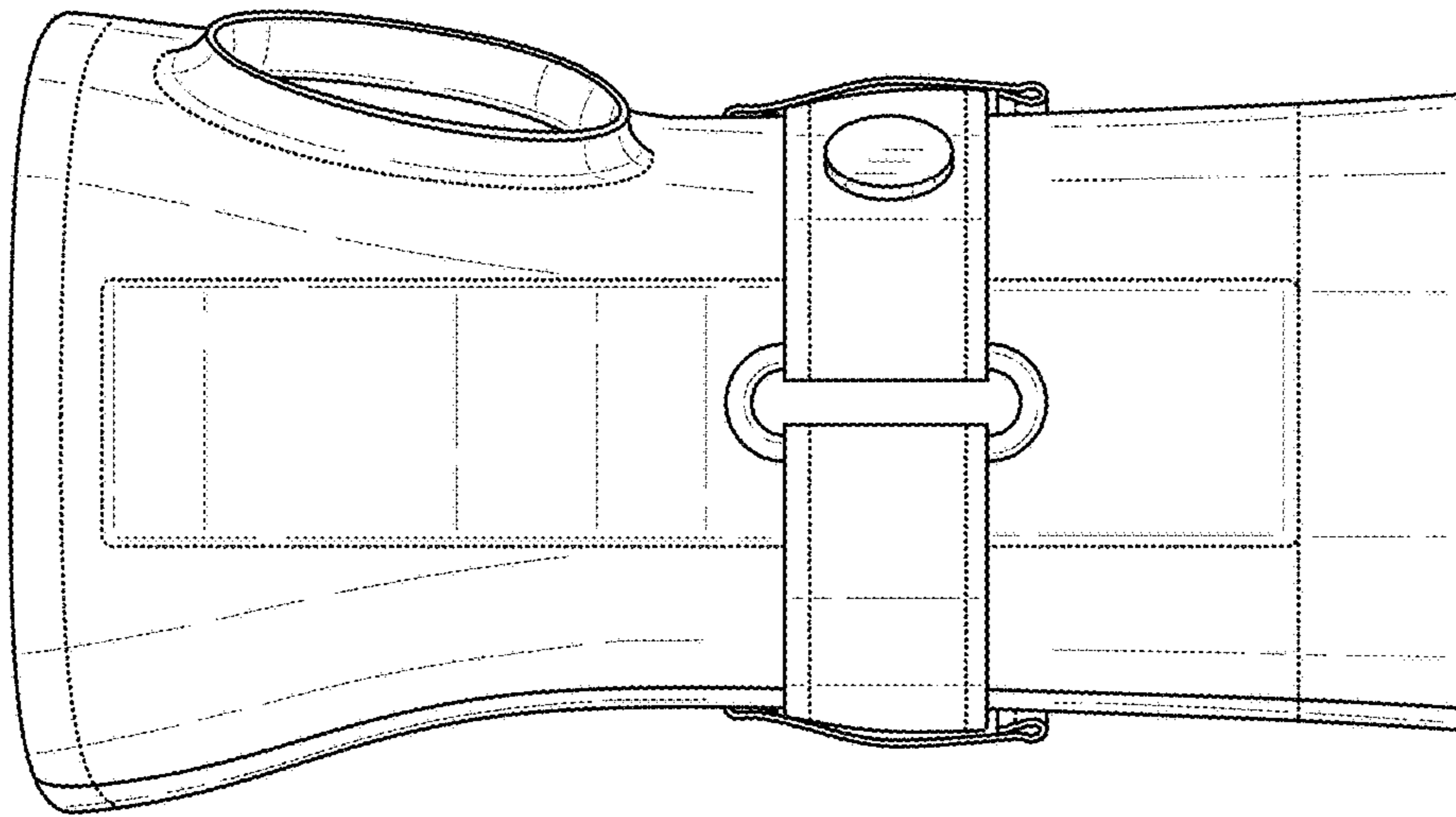


FIG. 3

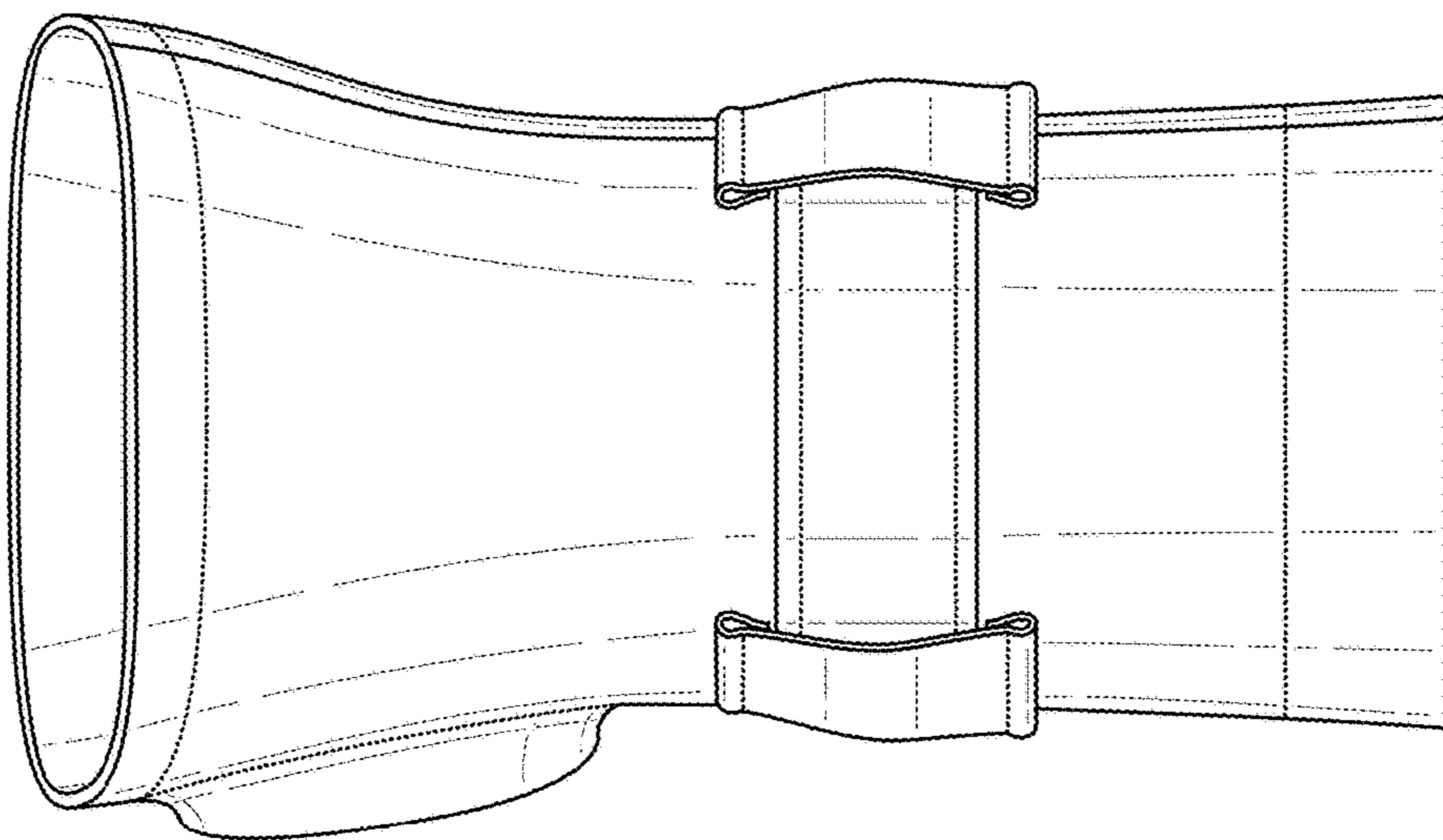


FIG. 2

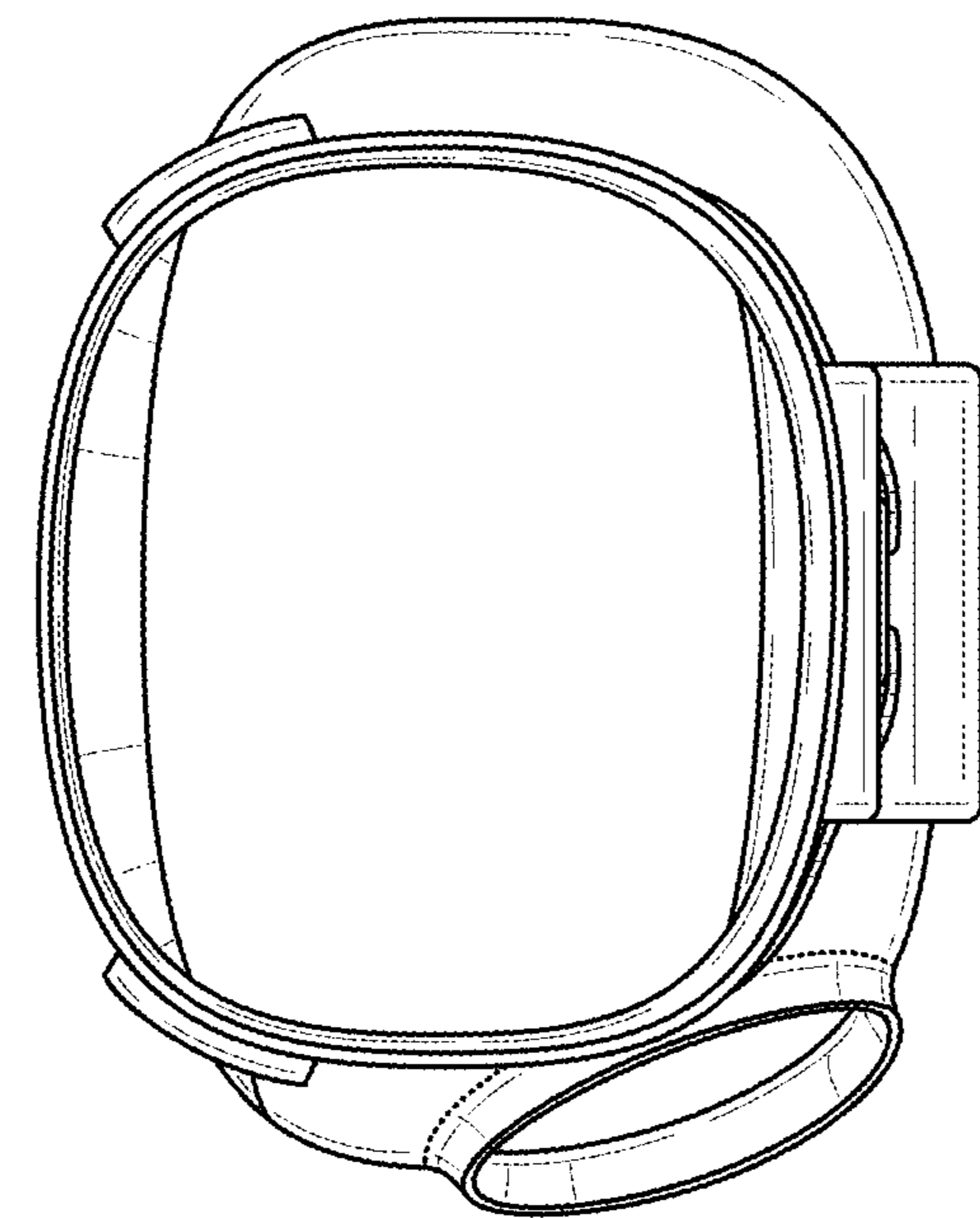


FIG. 5

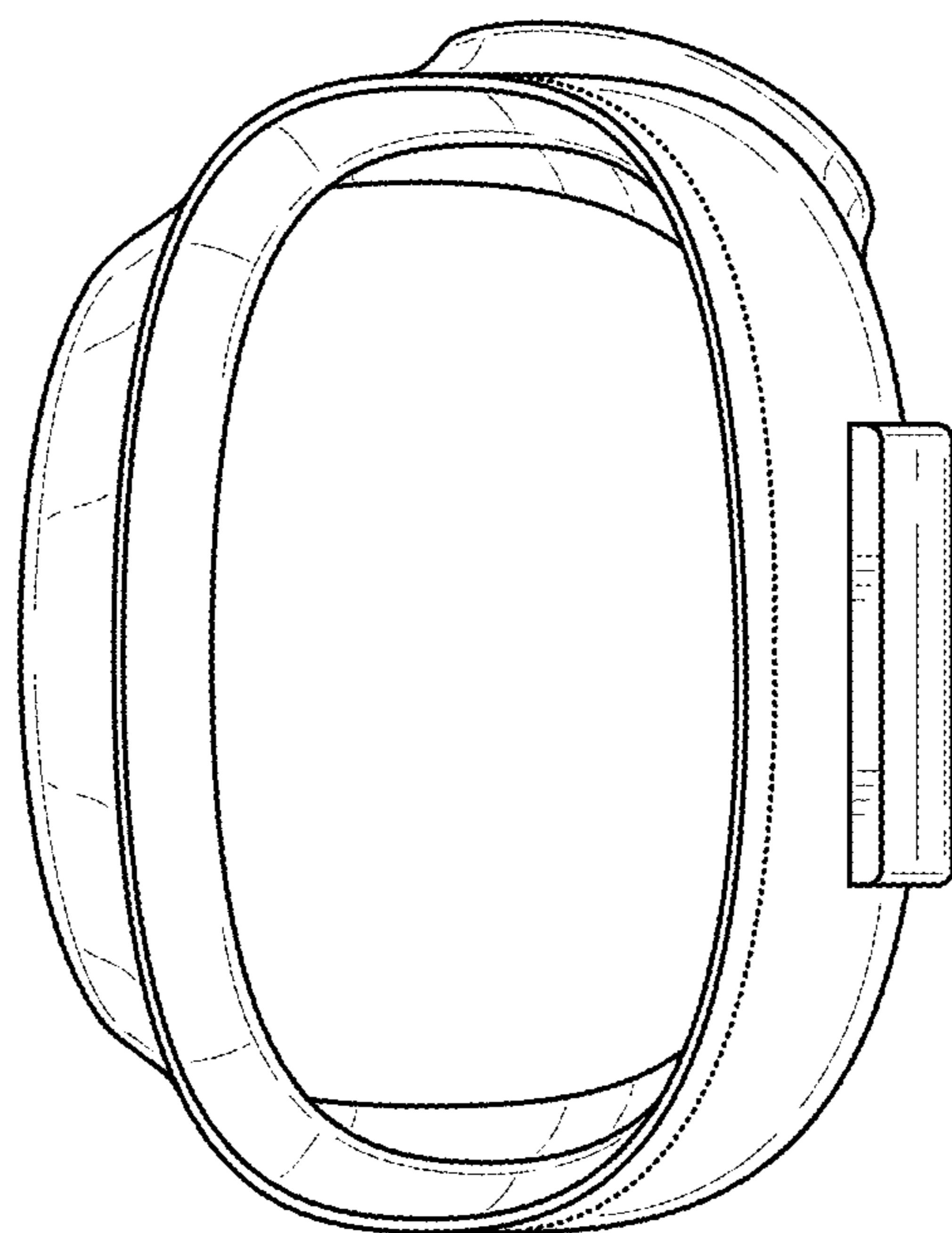


FIG. 4

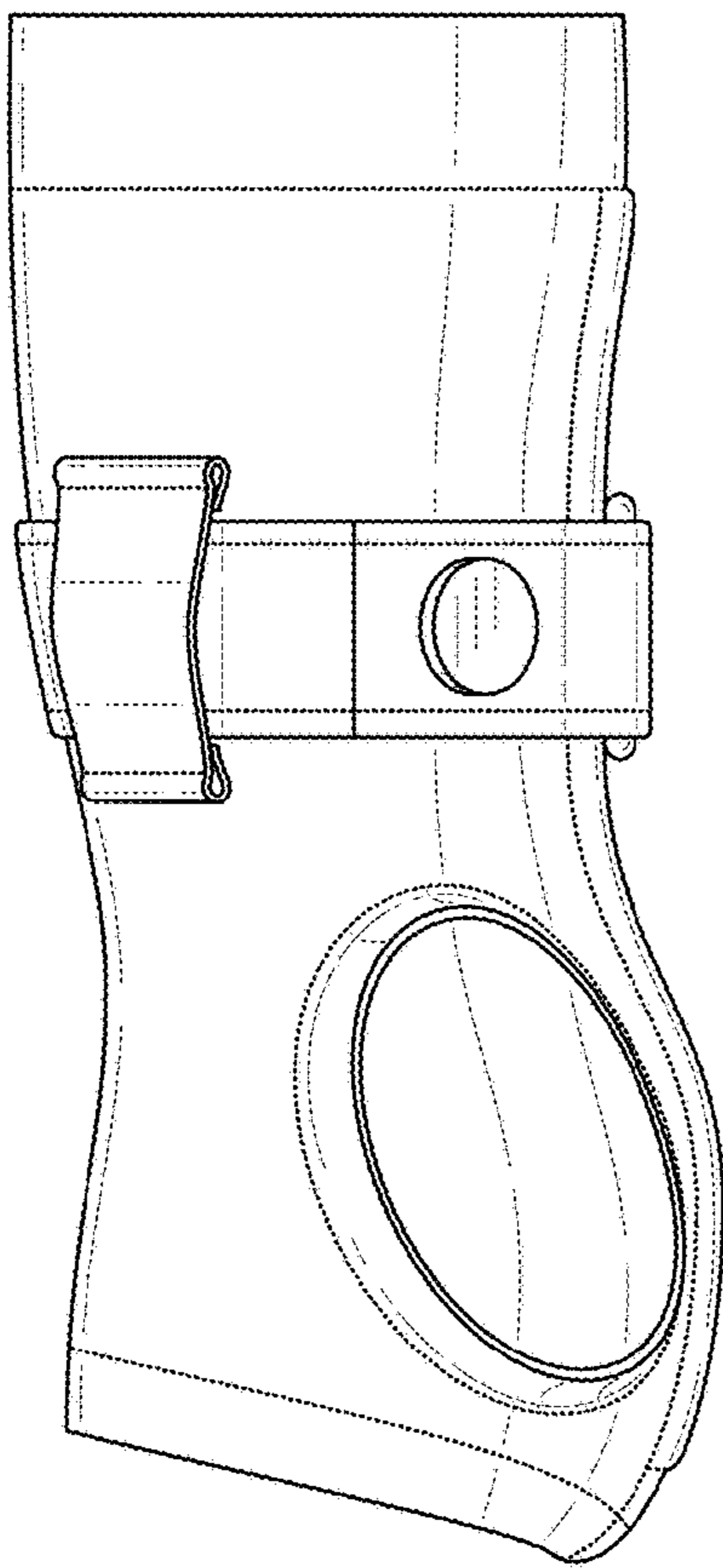


FIG. 6

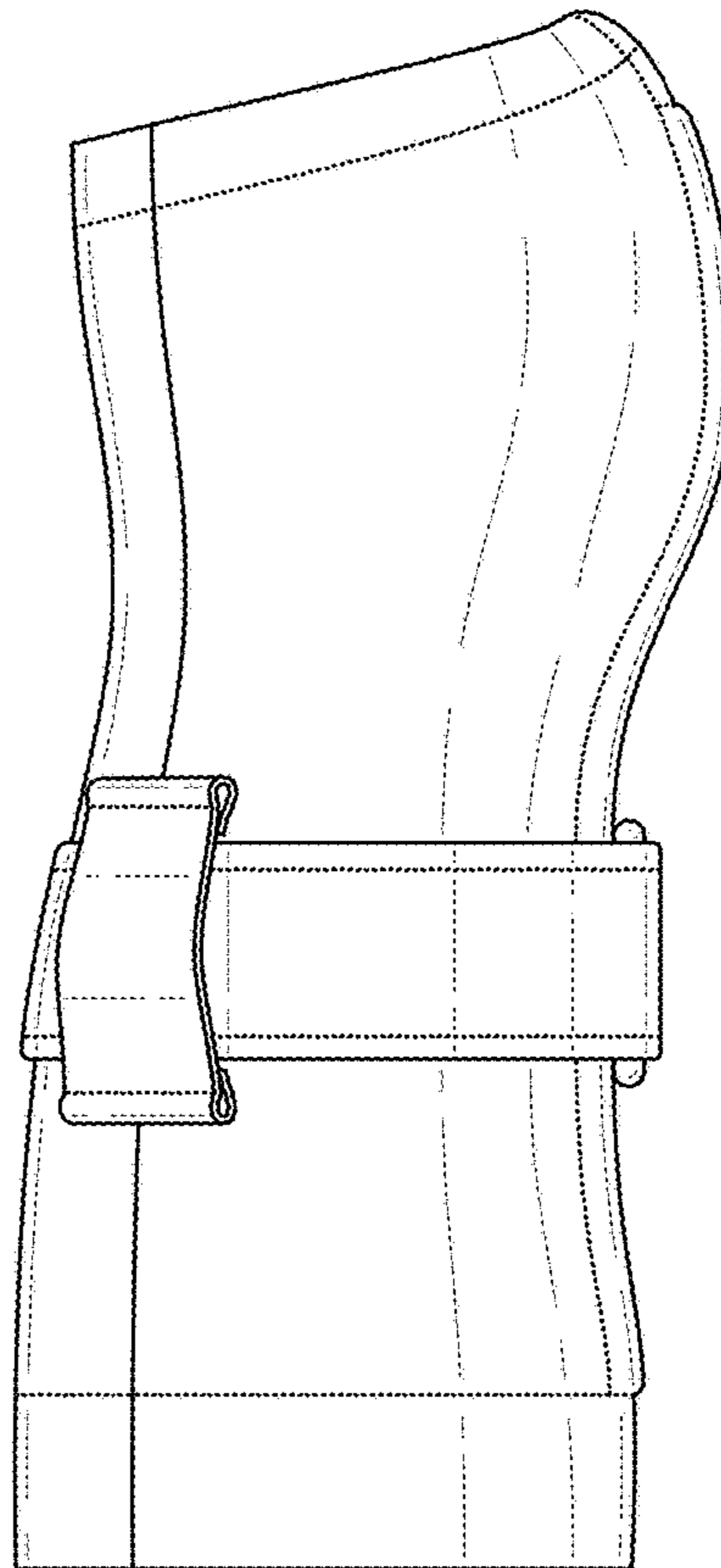


FIG. 7

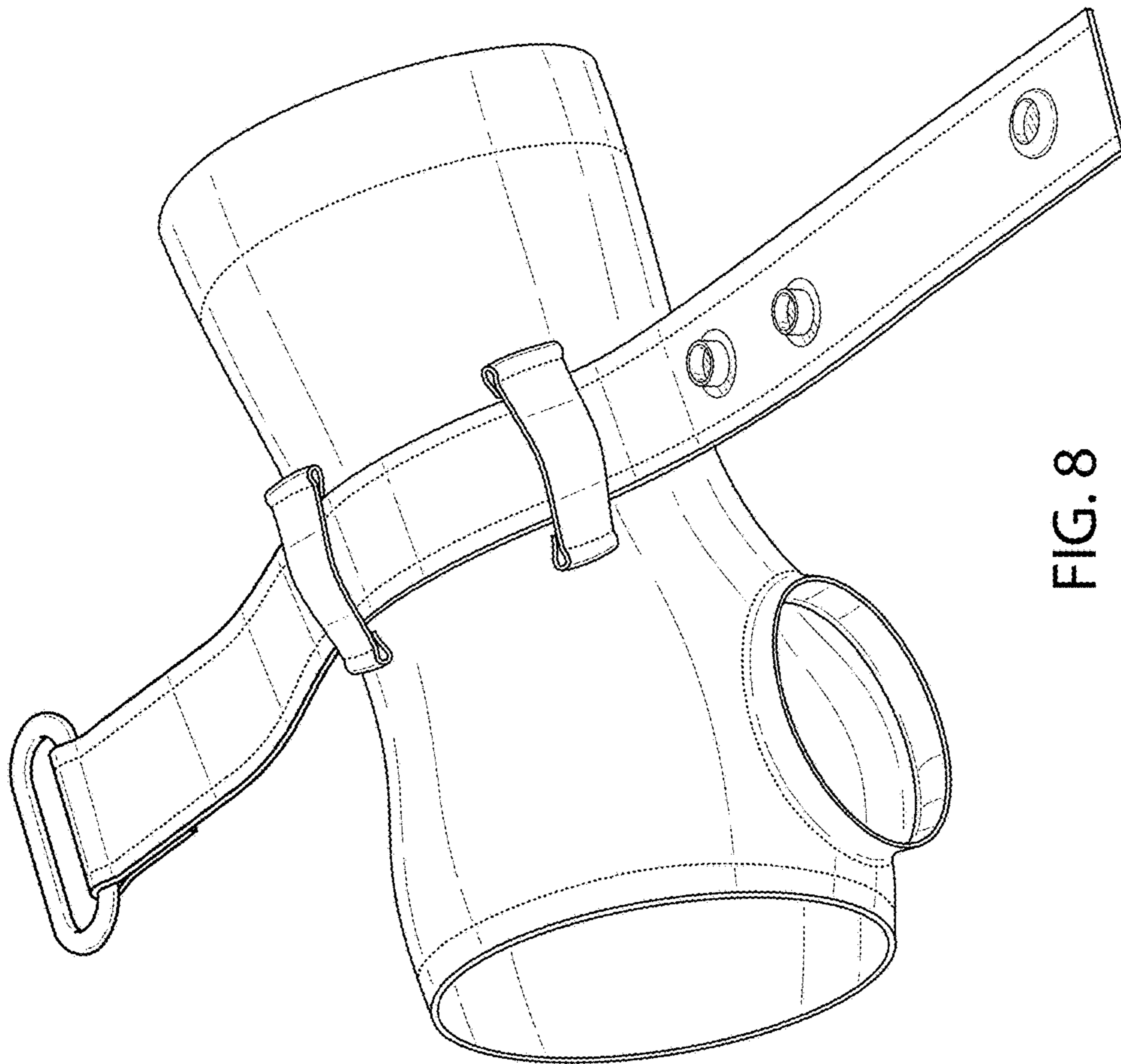


FIG. 8

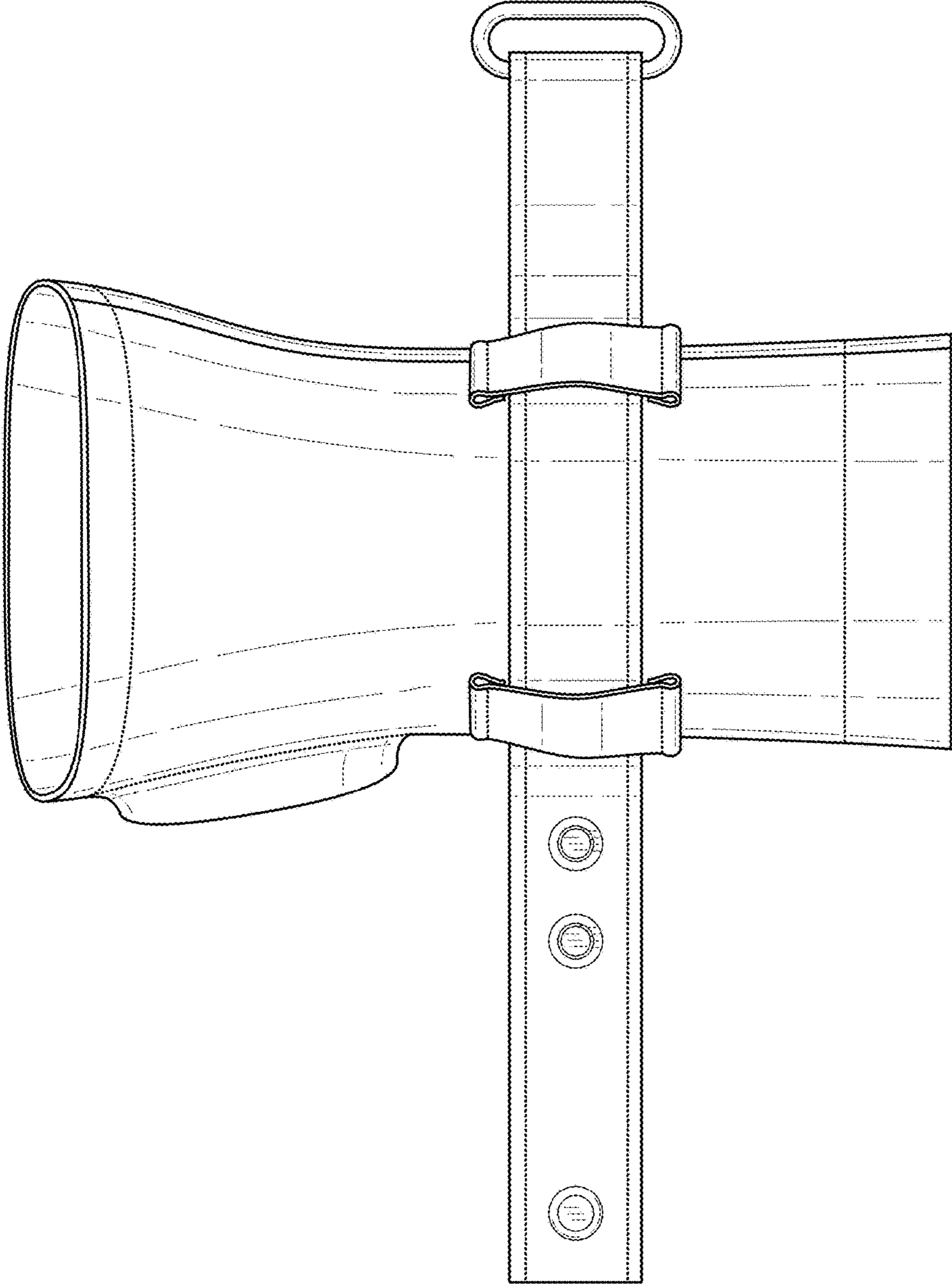


FIG. 9

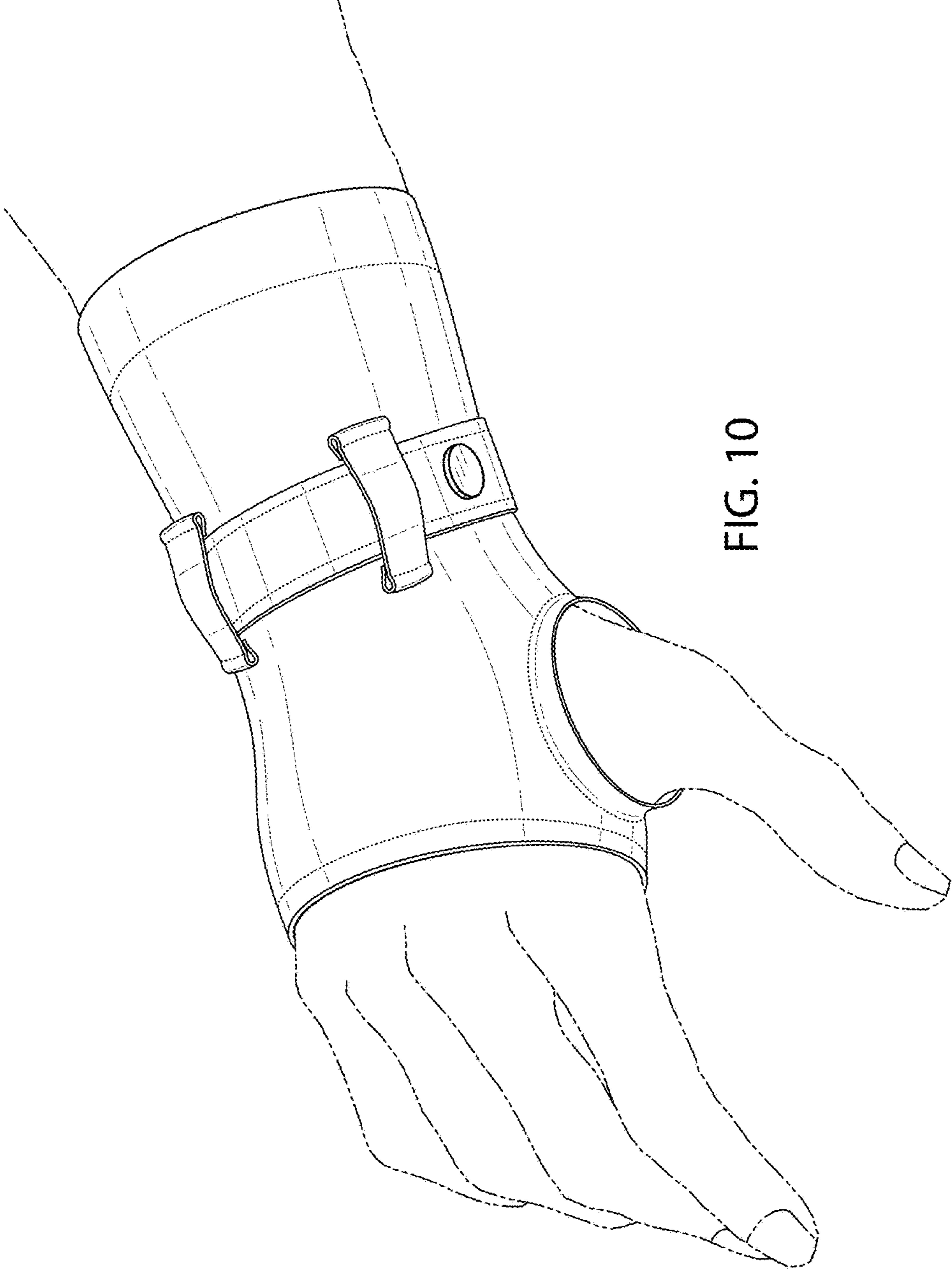


FIG. 10