



US00D829331S

(12) **United States Design Patent** (10) **Patent No.:** **US D829,331 S**
Norton (45) **Date of Patent:** **** Sep. 25, 2018**

(54) **SPLINT DEVICE**
(71) Applicant: **Sean Norton**, Kyle, TX (US)
(72) Inventor: **Sean Norton**, Kyle, TX (US)
(**) Term: **15 Years**
(21) Appl. No.: **29/559,028**
(22) Filed: **Mar. 24, 2016**
(51) **LOC (11) Cl.** **24-02**
(52) **U.S. Cl.**
USPC **D24/190; D24/231**
(58) **Field of Classification Search**
USPC D24/190, 171, 231, 188, 192, 128, 200;
D21/687; 403/76, 56; 482/57; 434/247
CPC .. A61H 1/0274; A61B 17/6441; A61F 5/0123
See application file for complete search history.

D657,472 S * 4/2012 DeFeo D24/200
8,834,169 B2 * 9/2014 Reinkensmeyer ... A61H 1/0274
434/247
D715,951 S * 10/2014 Stuart D24/190
D759,251 S * 6/2016 Kumar D24/171
D778,446 S * 2/2017 Kumar D24/171
D790,011 S * 6/2017 Zhou D21/687
D817,503 S * 5/2018 Wang D24/190
D819,212 S * 5/2018 Alexander D24/171
D819,219 S * 5/2018 Izuka D24/190

* cited by examiner

Primary Examiner — Rhea Shields
(74) Attorney, Agent, or Firm — Pierson IP, PLLC

(57) **CLAIM**

The ornamental design for a splint device, as shown and described.

DESCRIPTION

FIG. 1 is a top perspective view of the splint device in an open position, and showing my new design;
FIG. 2 is a front view thereof;
FIG. 3 is a back view thereof;
FIG. 4 is a top view thereof;
FIG. 5 is a bottom view thereof;
FIG. 6 is a side view thereof; and
FIG. 7 is another side view.
FIG. 8 is a top perspective view of the design shown in FIG. 1 in a closed state;
FIG. 9 is a front view thereof;
FIG. 10 is a back view thereof;
FIG. 11 is a top view thereof;
FIG. 12 is a bottom view thereof;
FIG. 13 is a side view thereof; and,
FIG. 14 is another side view.

(56) **References Cited**

U.S. PATENT DOCUMENTS

2,238,870 A * 4/1941 Haynes A61B 17/6441
403/56
2,346,346 A * 4/1944 Anderson A61B 17/6441
403/76
D267,511 S * 1/1983 Morgan D24/190
D291,596 S * 8/1987 Detty D24/190
D292,128 S * 9/1987 Thibodo, Jr. D24/190
D293,379 S * 12/1987 Link D24/190
D394,713 S * 5/1998 Darcey D24/190
D407,494 S * 3/1999 Doyle D24/128
D429,816 S * 8/2000 Rohrs D24/190
D434,504 S * 11/2000 Miller D24/192
D437,059 S * 1/2001 Williams D24/190
D450,851 S * 11/2001 Herndon D24/188
D499,184 S * 11/2004 Mills D24/190
7,931,567 B2 * 4/2011 Rosenberg A61F 5/0123
482/57

1 Claim, 8 Drawing Sheets

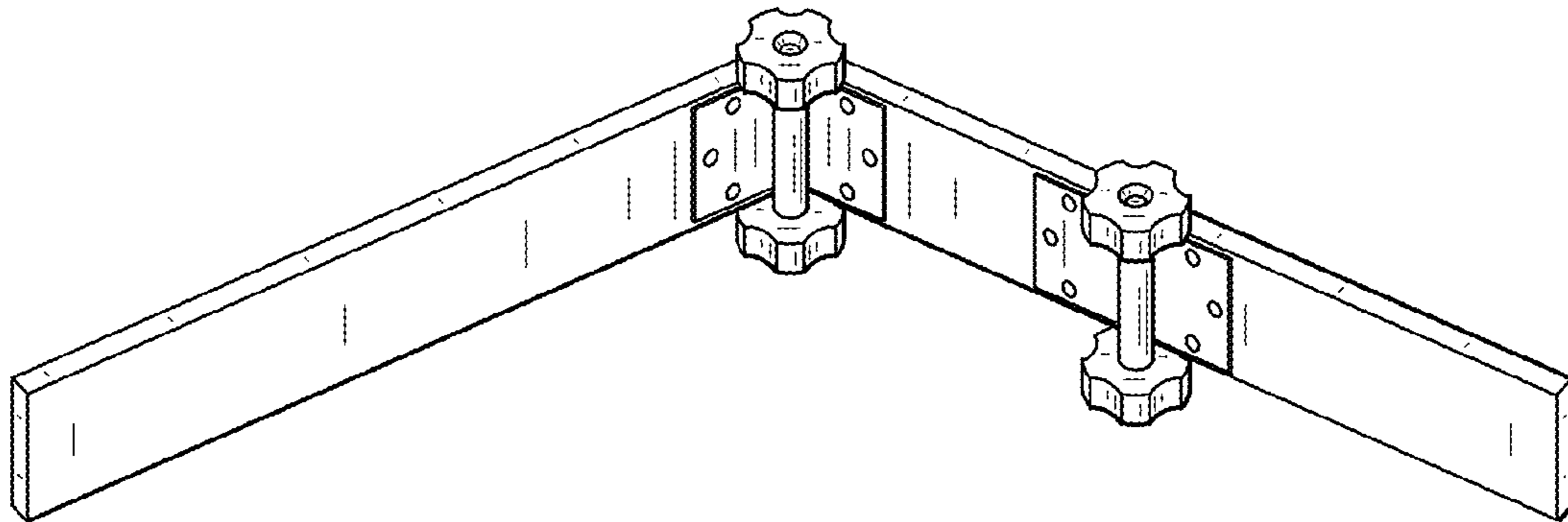


FIG. 1

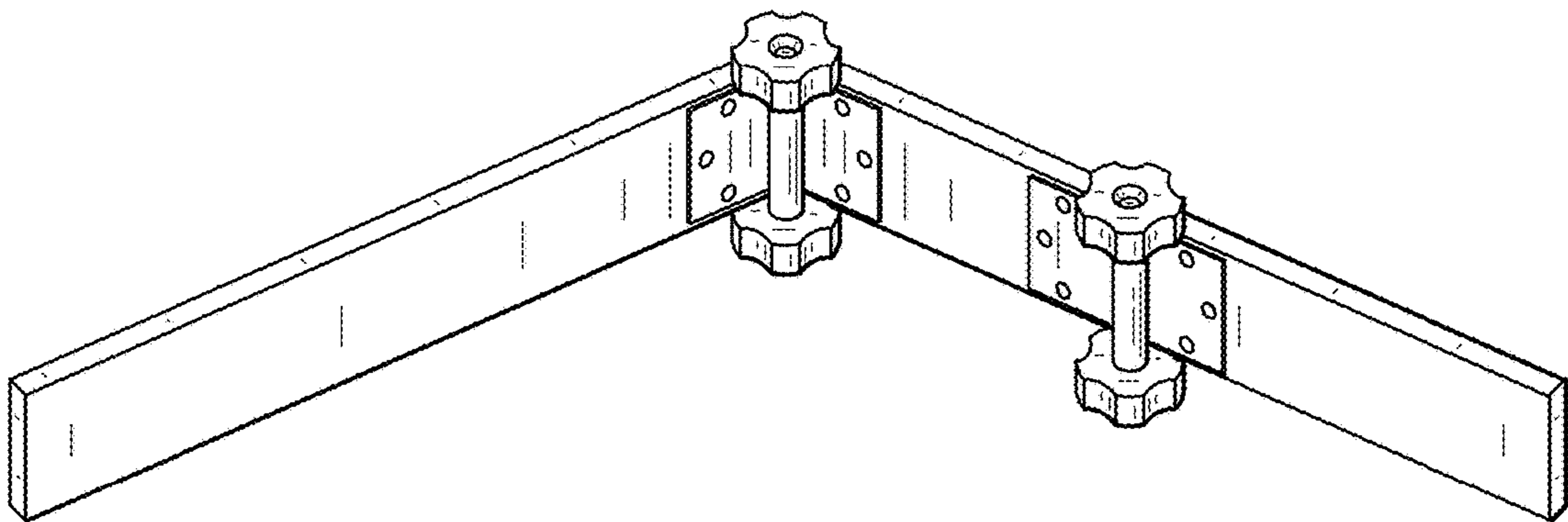


FIG. 2

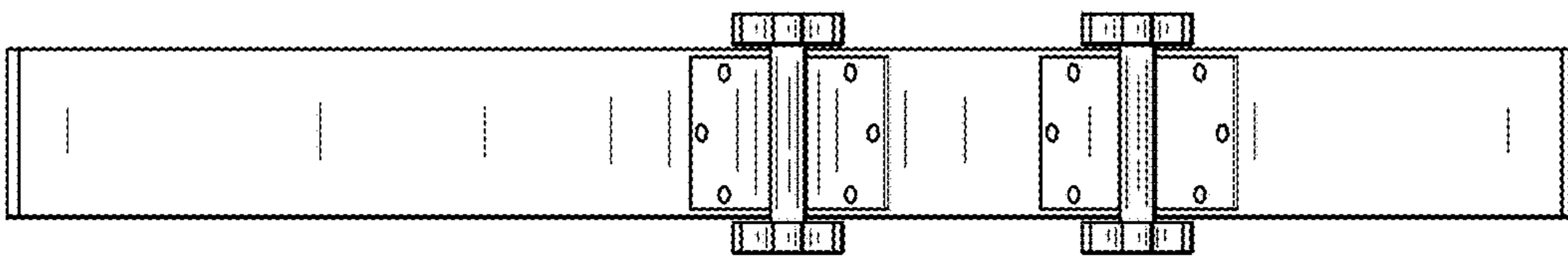


FIG. 3

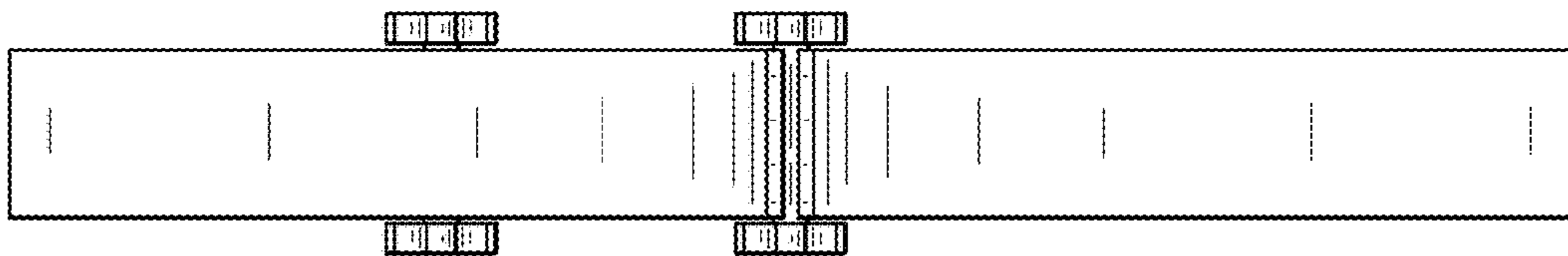


FIG. 4

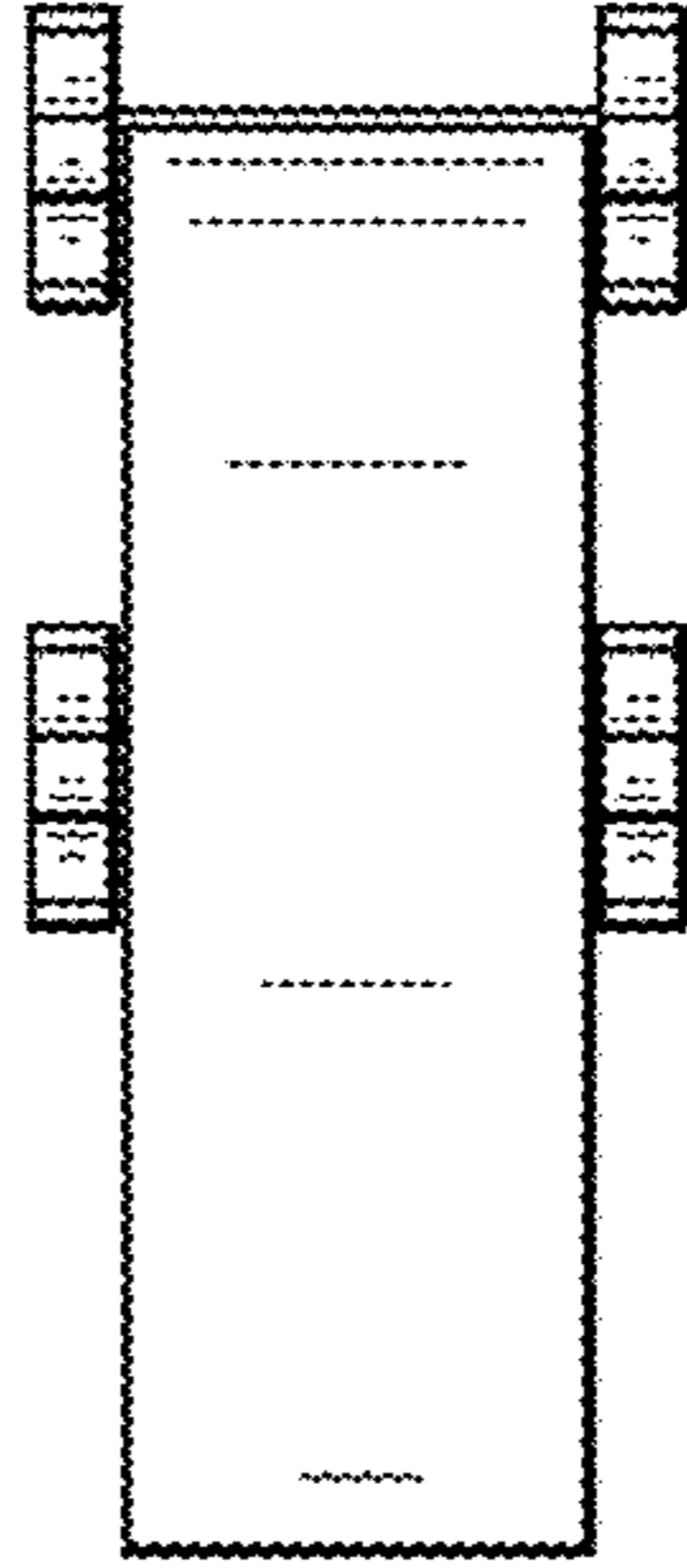


FIG. 5

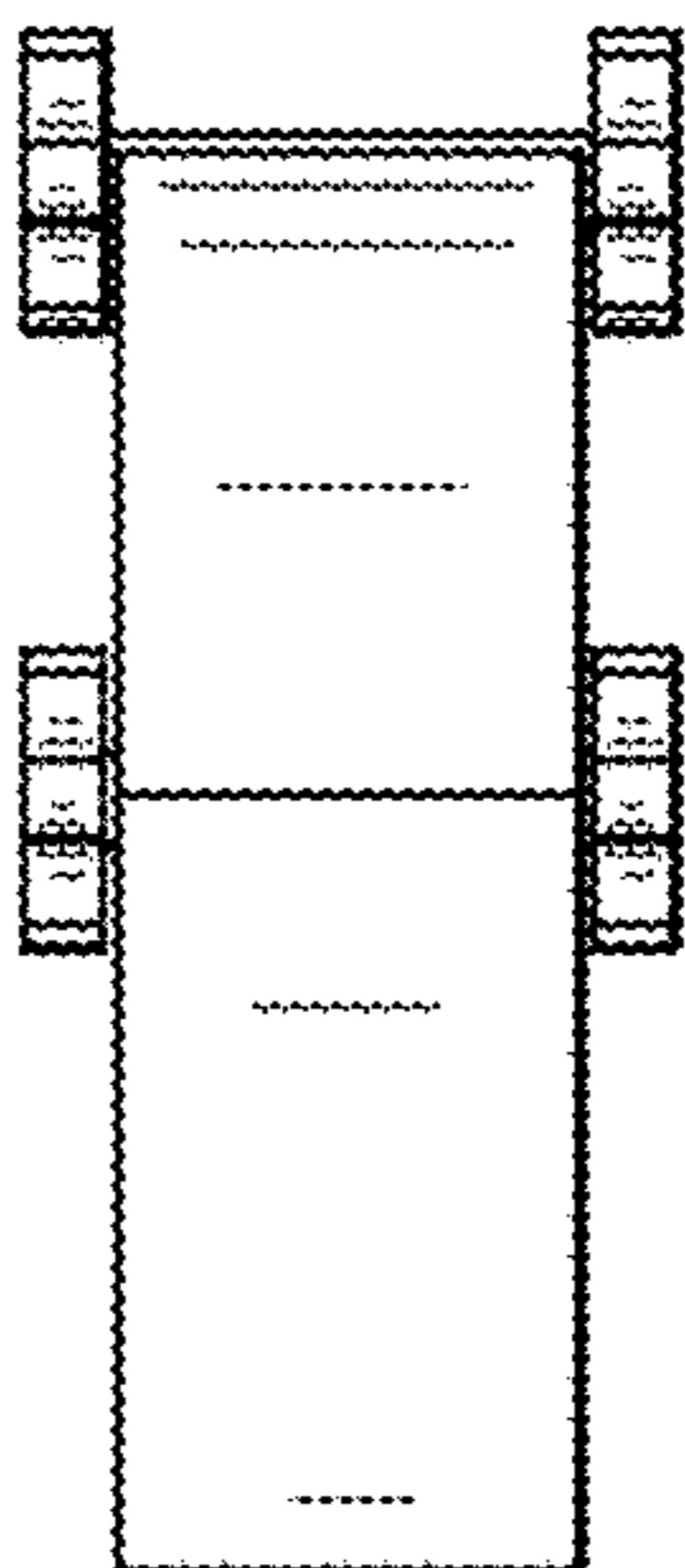


FIG. 6

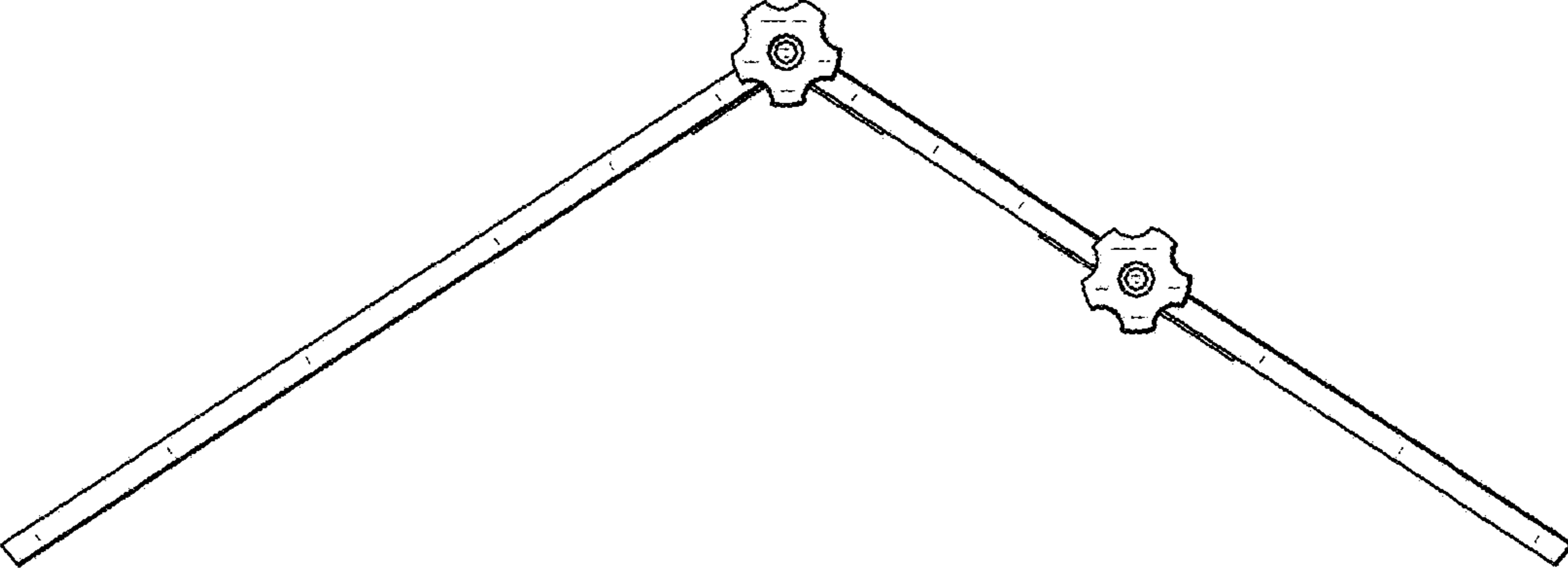


FIG. 7

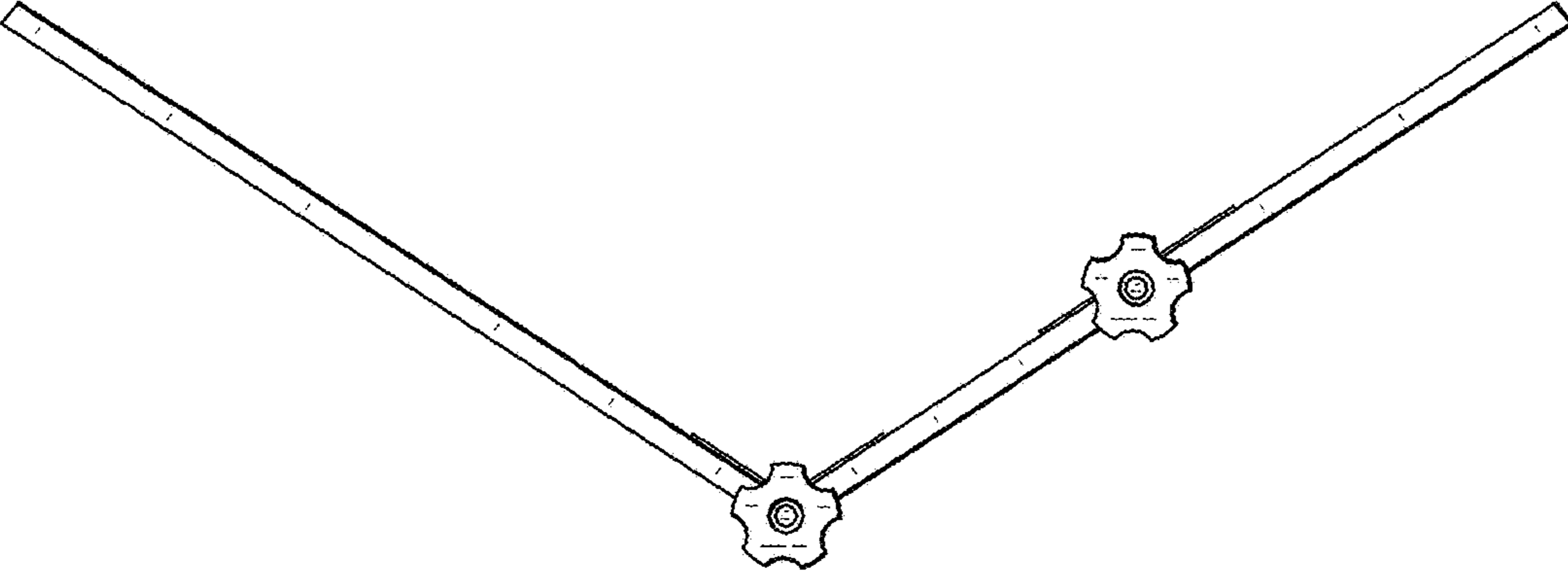


FIG. 8

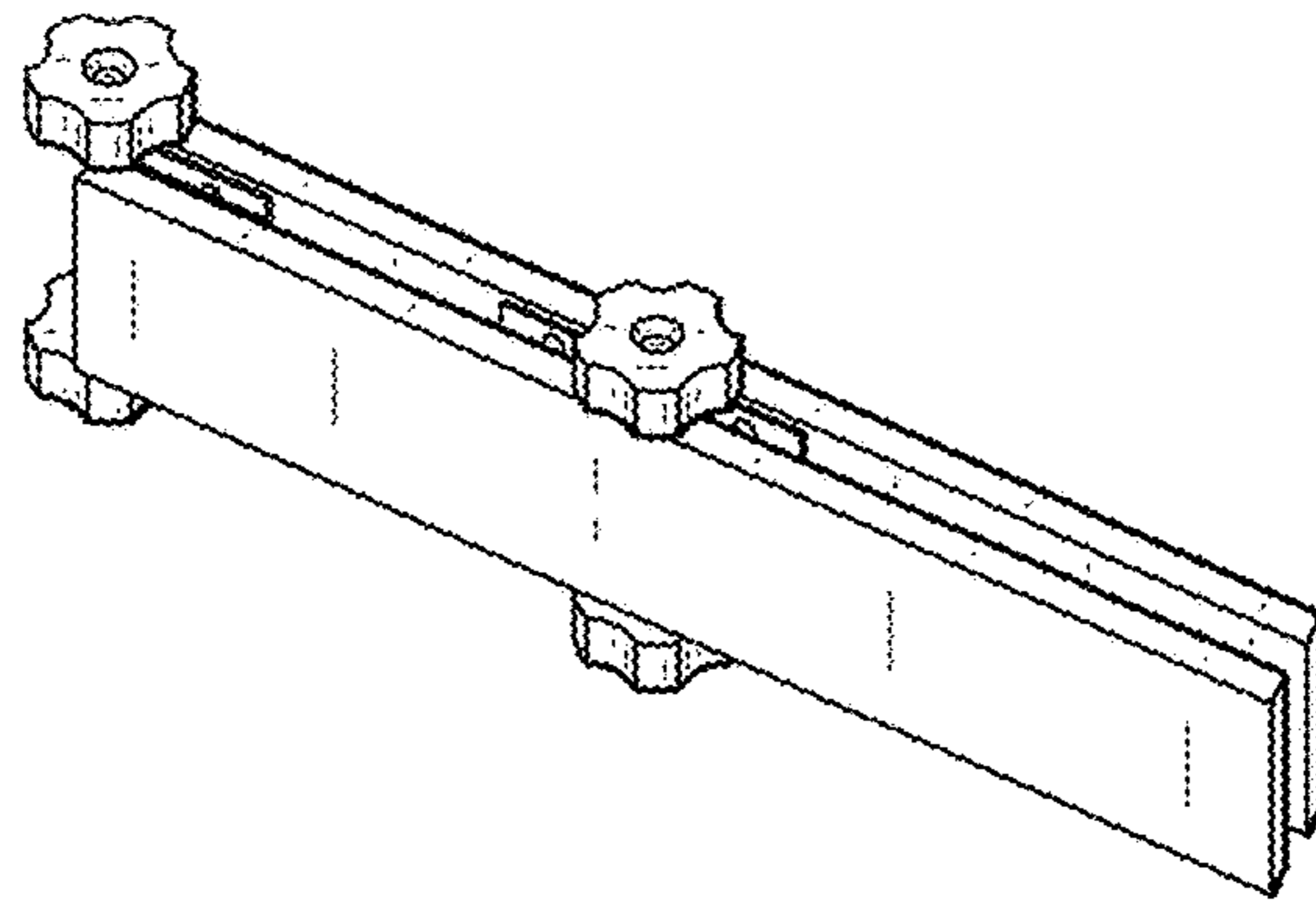


FIG. 9

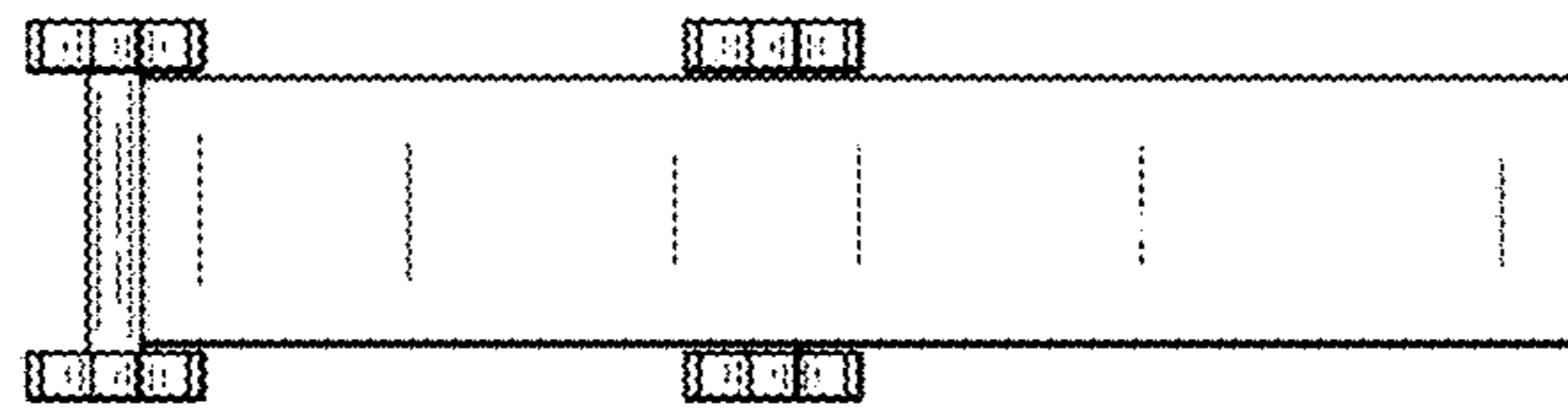


FIG. 10

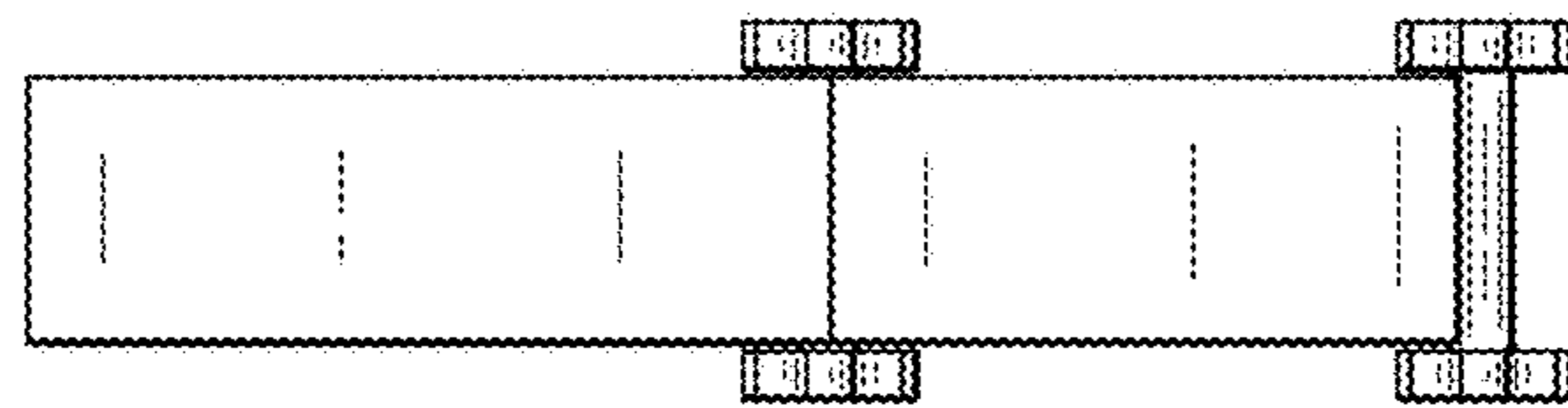


FIG. 11

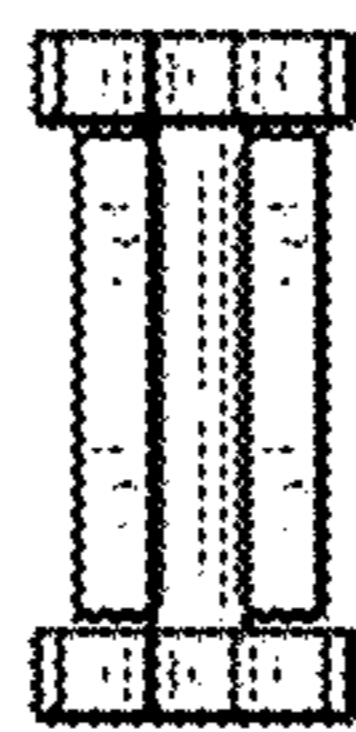


FIG. 12

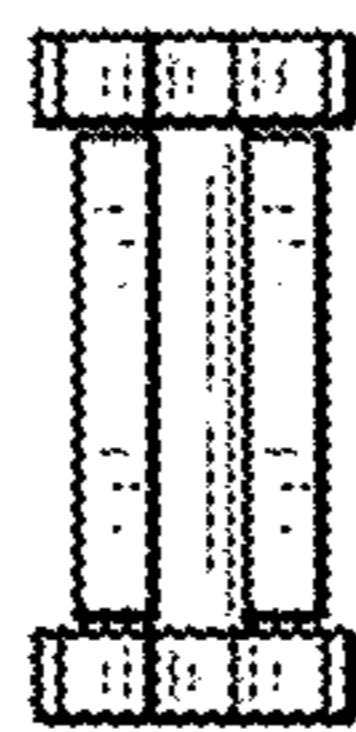


FIG. 13



FIG. 14

