



US00D829330S

(12) **United States Design Patent** (10) **Patent No.:** **US D829,330 S**
Zheng (45) **Date of Patent:** **** Sep. 25, 2018**

(54) **SPORTS BRACELET**
(71) Applicant: **SHENZHEN LOOKCARE INDUSTRY CO., LTD.**, Shenzhen, Guangdong (CN)
(72) Inventor: **YongJian Zheng**, Guangdong (CN)
(73) Assignee: **SHENZHEN LOOKCARE INDUSTRY CO., LTD.** (CN)
(**) Term: **15 Years**

9,639,119 B2 * 5/2017 Seok A61B 5/681
D795,719 S * 8/2017 Lean D10/39
D804,335 S * 12/2017 Bihan D10/70
D806,880 S * 1/2018 Henning D24/186
D813,229 S * 3/2018 Ling D14/344
9,971,313 B2 * 5/2018 Chung G04G 21/00
2009/0306485 A1 * 12/2009 Bell A61B 5/04085
600/301
2015/0105221 A1 * 4/2015 Roush G06Q 50/22
482/8
2016/0072554 A1 * 3/2016 Sharma H04B 5/0031
455/41.1
2016/0223992 A1 * 8/2016 Seo G04G 19/10

(21) Appl. No.: **29/619,010**
(22) Filed: **Sep. 26, 2017**
(51) **LOC (11) Cl.** **24-02**
(52) **U.S. Cl.**
USPC **D24/186; D14/344**
(58) **Field of Classification Search**
USPC .. D14/138 R, 144, 341, 344, 358, 388, 218;
D10/30-39, 70, 98; D11/3, 4, 26, 93-94,
D11/78.1, 79, 86; D24/167, 169,
D24/186-187, 164
CPC A41D 1/002; A41D 19/0034; G06F 1/04;
G06F 1/08; G06F 1/10; G06F 1/14; G06F
1/1626; G06F 1/1628; G06F 1/163; G06F
1/1635; G06F 1/3203; G06Q 20/10;
G06Q 20/12; G06Q 20/108; G06Q
20/145; H04B 1/3833; H04B 1/385;
H04B 1/3888; H04M 1/02; H04M 1/03;
H04M 1/04; H04M 1/05; H04M 1/667;
H04M 1/6058; Y02B 60/1217
See application file for complete search history.

OTHER PUBLICATIONS

Denisy Fitness Tracker, posted Aug. 26, 2015, [retrieved Jul. 26, 2018]. Retrieved from Internet, <URL: https://www.amazon.com/DENISY-Monitors-Activity-Trackers-Wristband/dp/B075NDN8ZY/ref=cm_cr_arp_d_product_top?ie=UTF8 >.*

(Continued)

Primary Examiner — Barbara Fox
Assistant Examiner — Kristin E Reed

(57) **CLAIM**

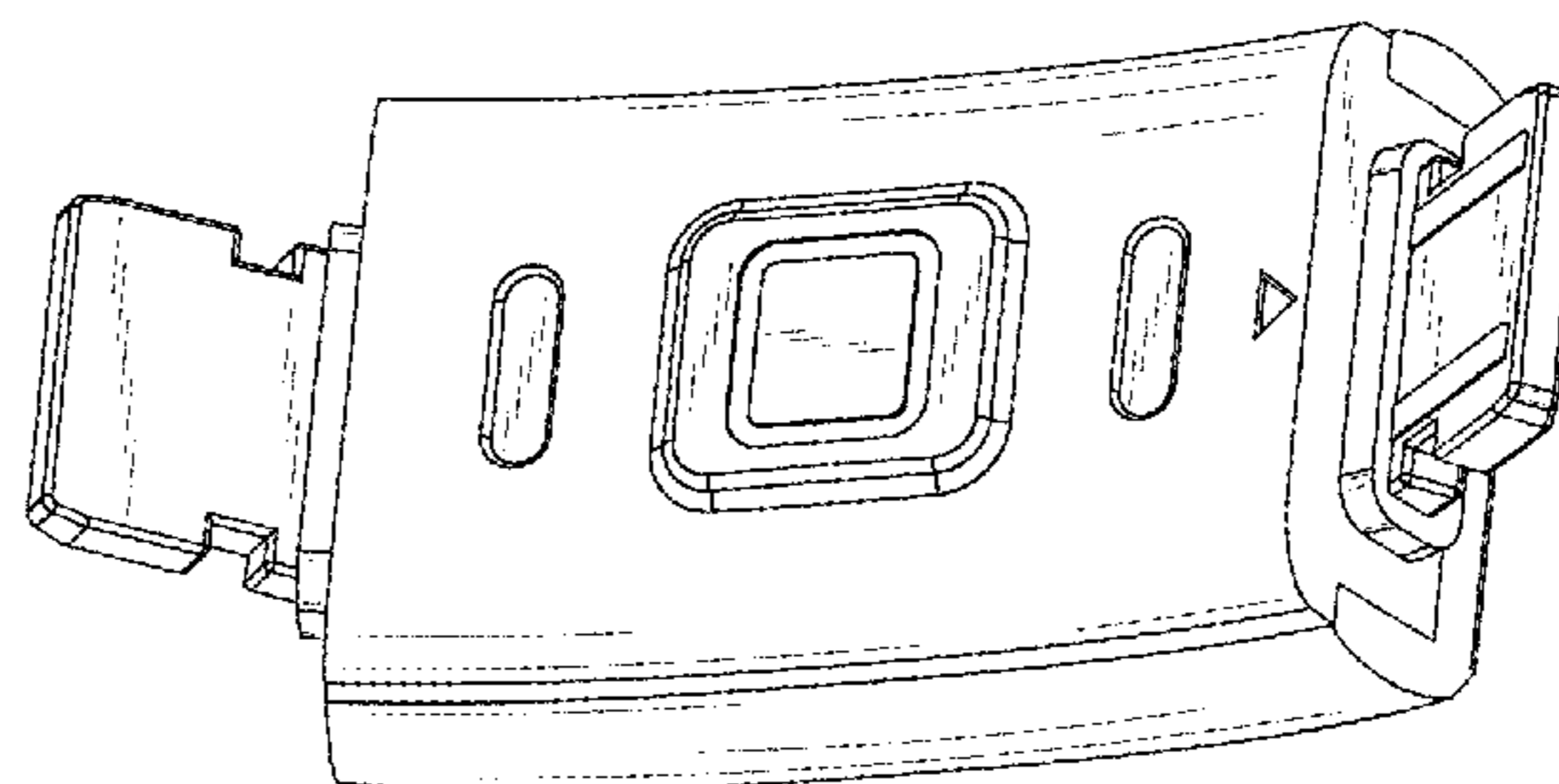
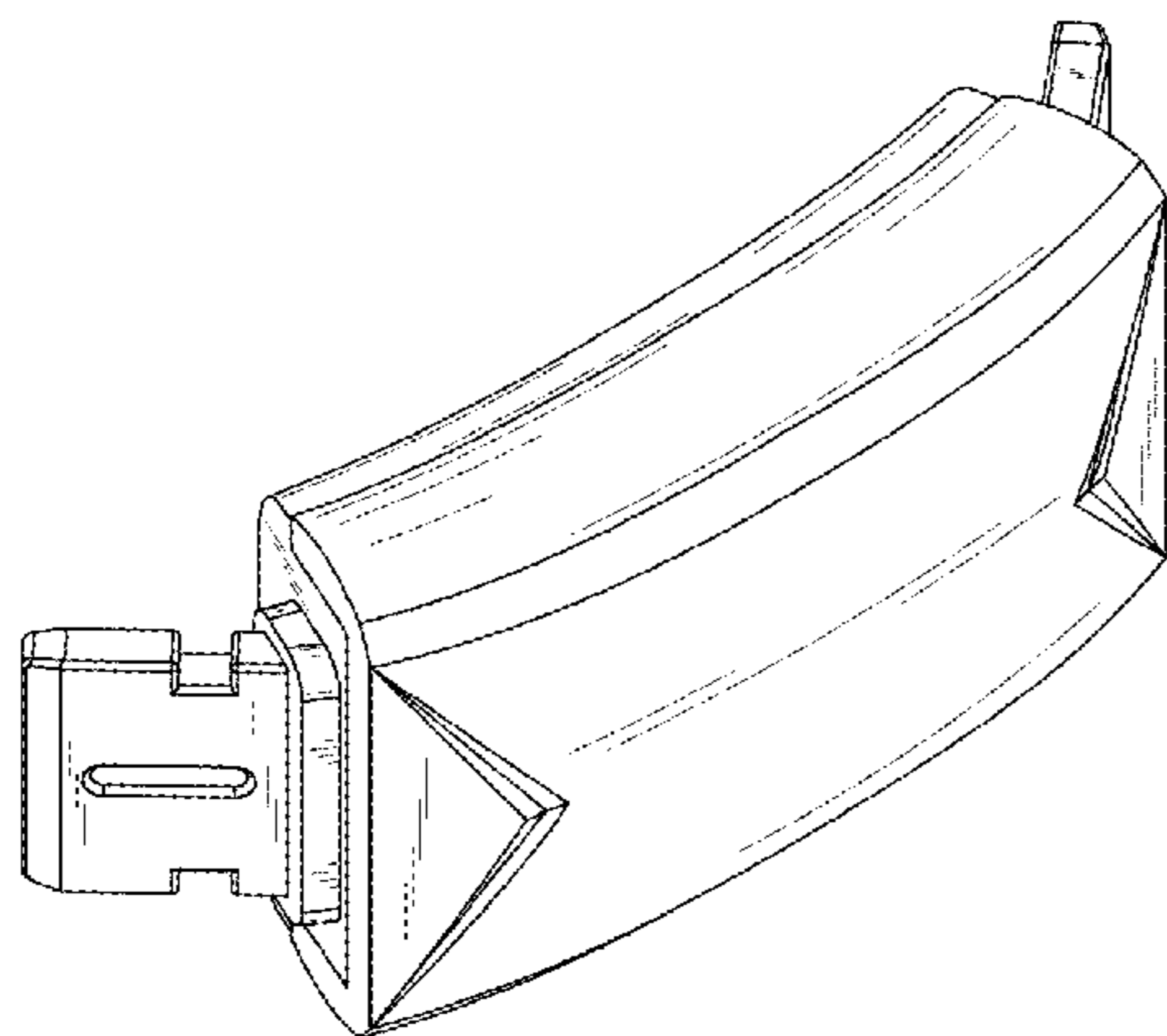
The ornamental design for a sports bracelet, as shown and described.

DESCRIPTION

FIG. 1 is a front view of a sports bracelet showing my new design;
FIG. 2 is a back view thereof;
FIG. 3 is a left side view thereof;
FIG. 4 is a right side view thereof;
FIG. 5 is a top view thereof;
FIG. 6 is a bottom view thereof;
FIG. 7 is a top perspective view thereof; and,
FIG. 8 is a bottom perspective view thereof.

1 Claim, 3 Drawing Sheets

(56) **References Cited**
U.S. PATENT DOCUMENTS
D731,898 S * 6/2015 Squires D10/30
D751,068 S * 3/2016 Erbeus D10/38
D786,861 S * 5/2017 Pu D14/344



(56)

References Cited

OTHER PUBLICATIONS

S2 Smart Wristband Band Heart Rate Monitor Watch, posted Feb. 12, 2018, [retrieved Jul. 27, 2018]. Retrieved from Internet, <URL: <https://www.aliexpress.com/item/S2-Bluetooth-4-0-Smart-Band-Wristband-Heart-Rate-Monitor-Sport-IP67-Waterproof-OLED-Smartband/32780038885.html> >.*

Ematic TrackBand Wireless Activity and Sleep Tracker (SB312BL)—Wearable Tech—Black, posted Jan. 5, 2015, [retrieved Jul. 27, 2018]. Retrieved from Internet, <URL: <https://www.amazon.com/Ematic-TrackBand-Wireless-Activity-SB312BL/dp/B00O2BJYT6> >.*

* cited by examiner

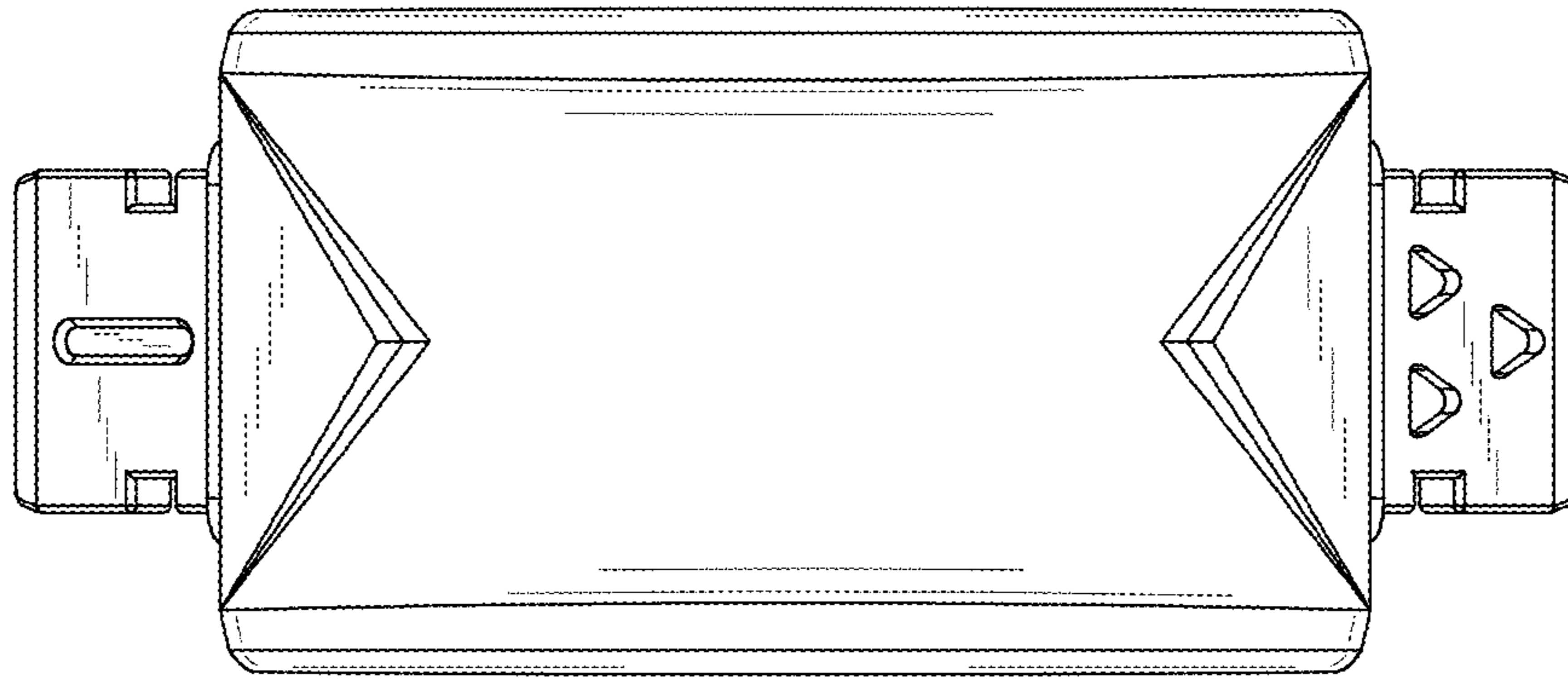


FIG. 1

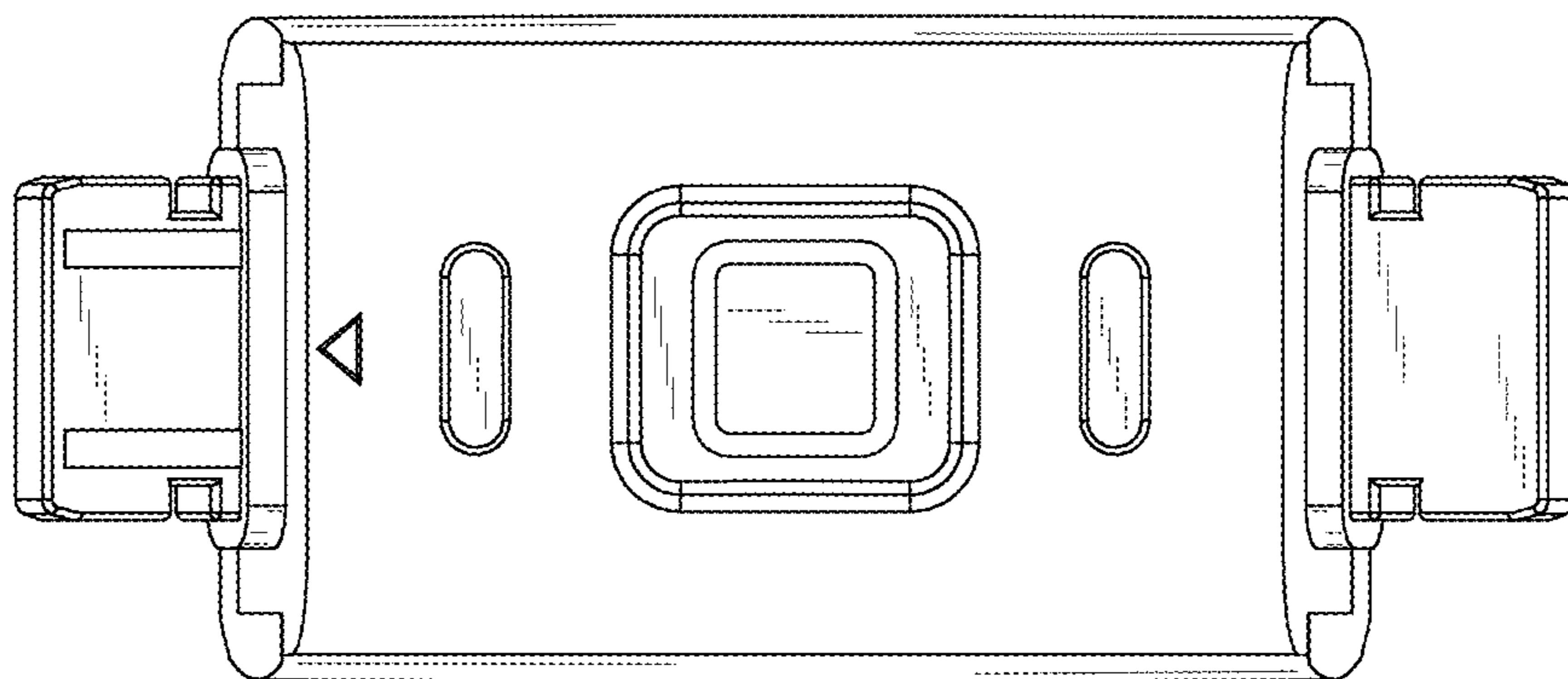


FIG. 2

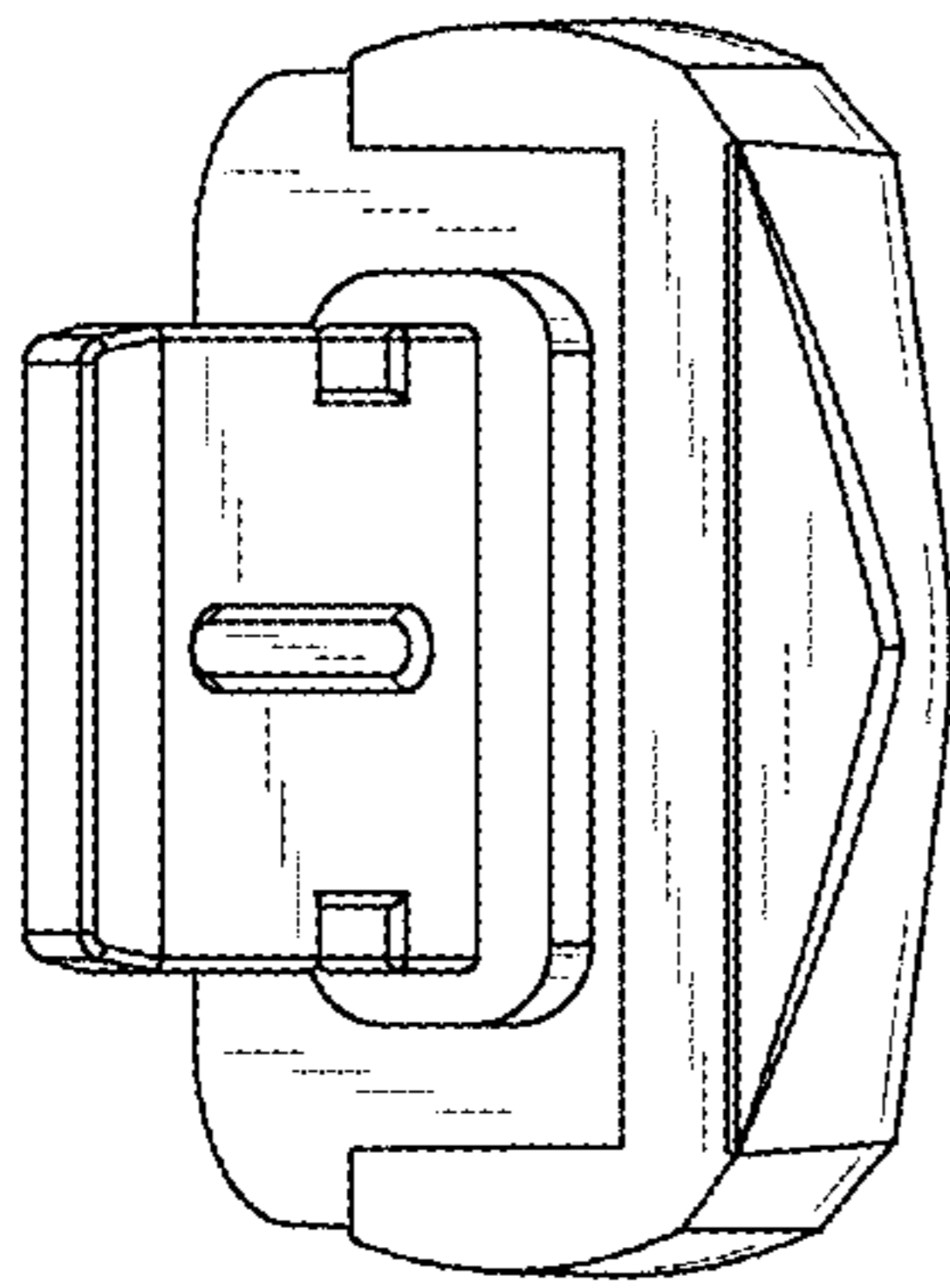


FIG. 3

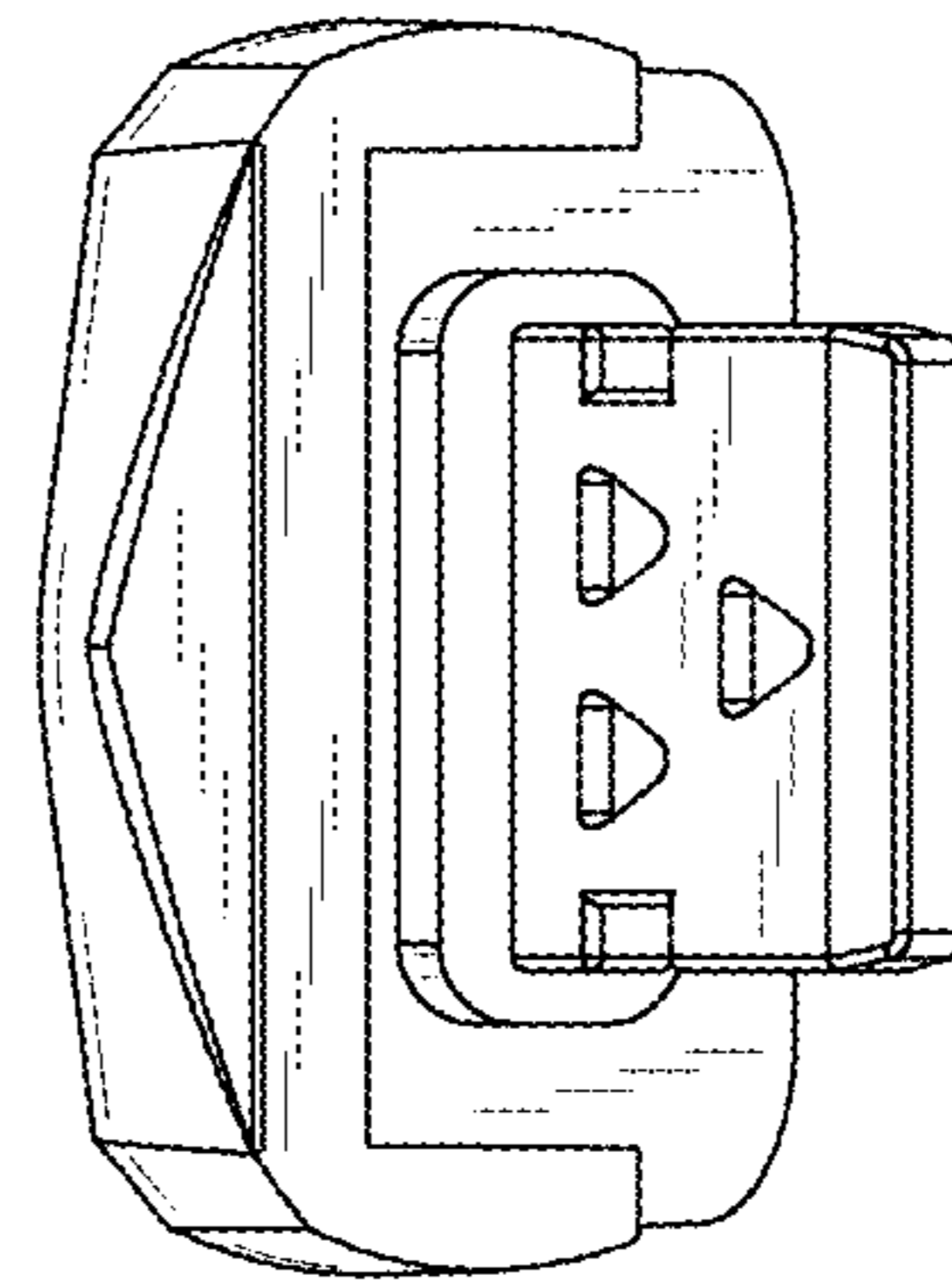


FIG. 4

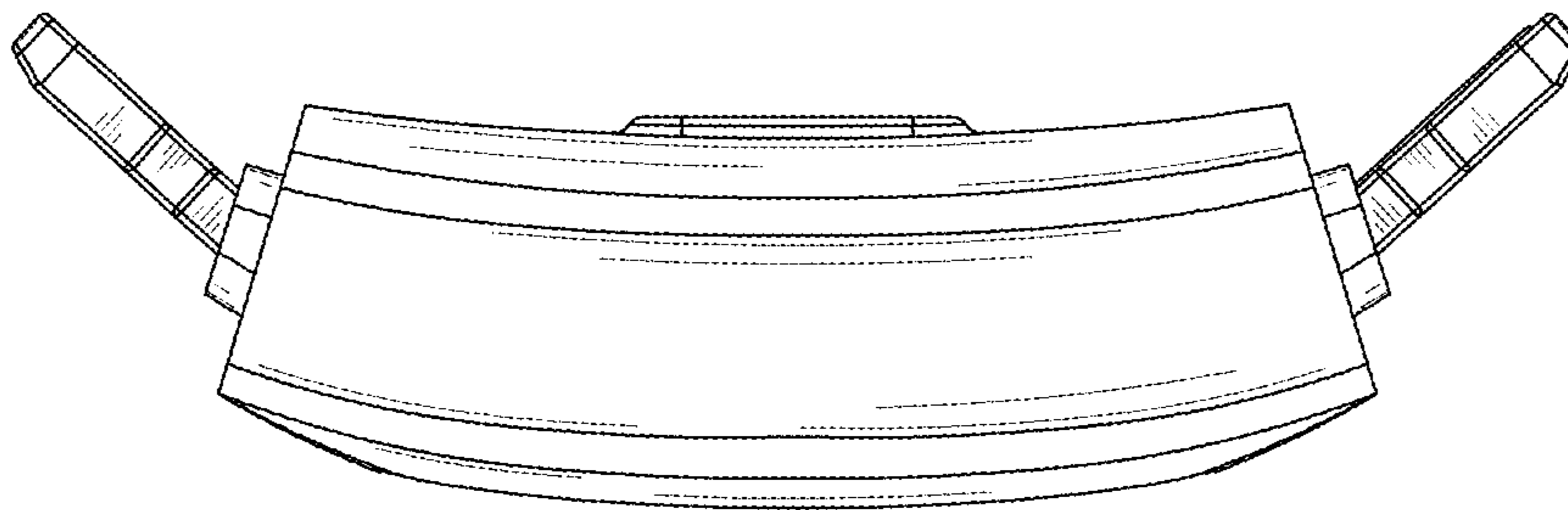


FIG. 5

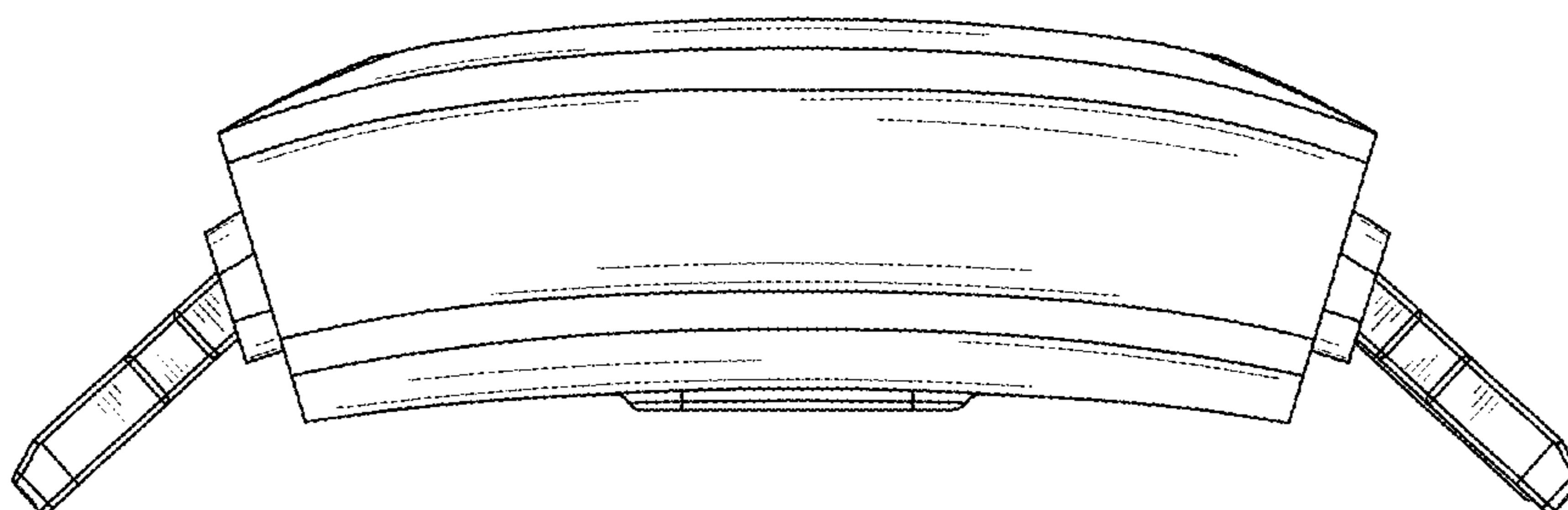


FIG. 6

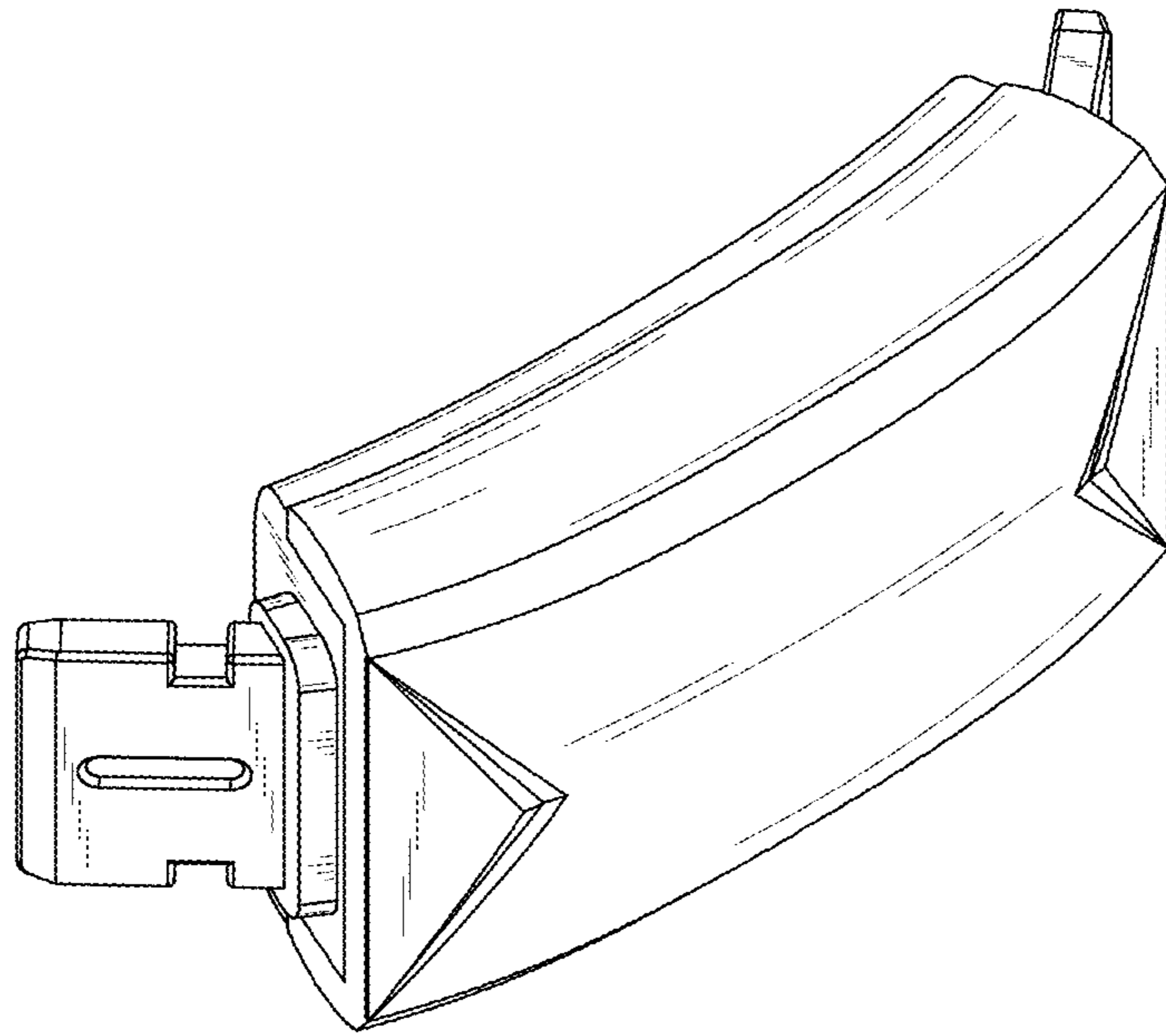


FIG. 7

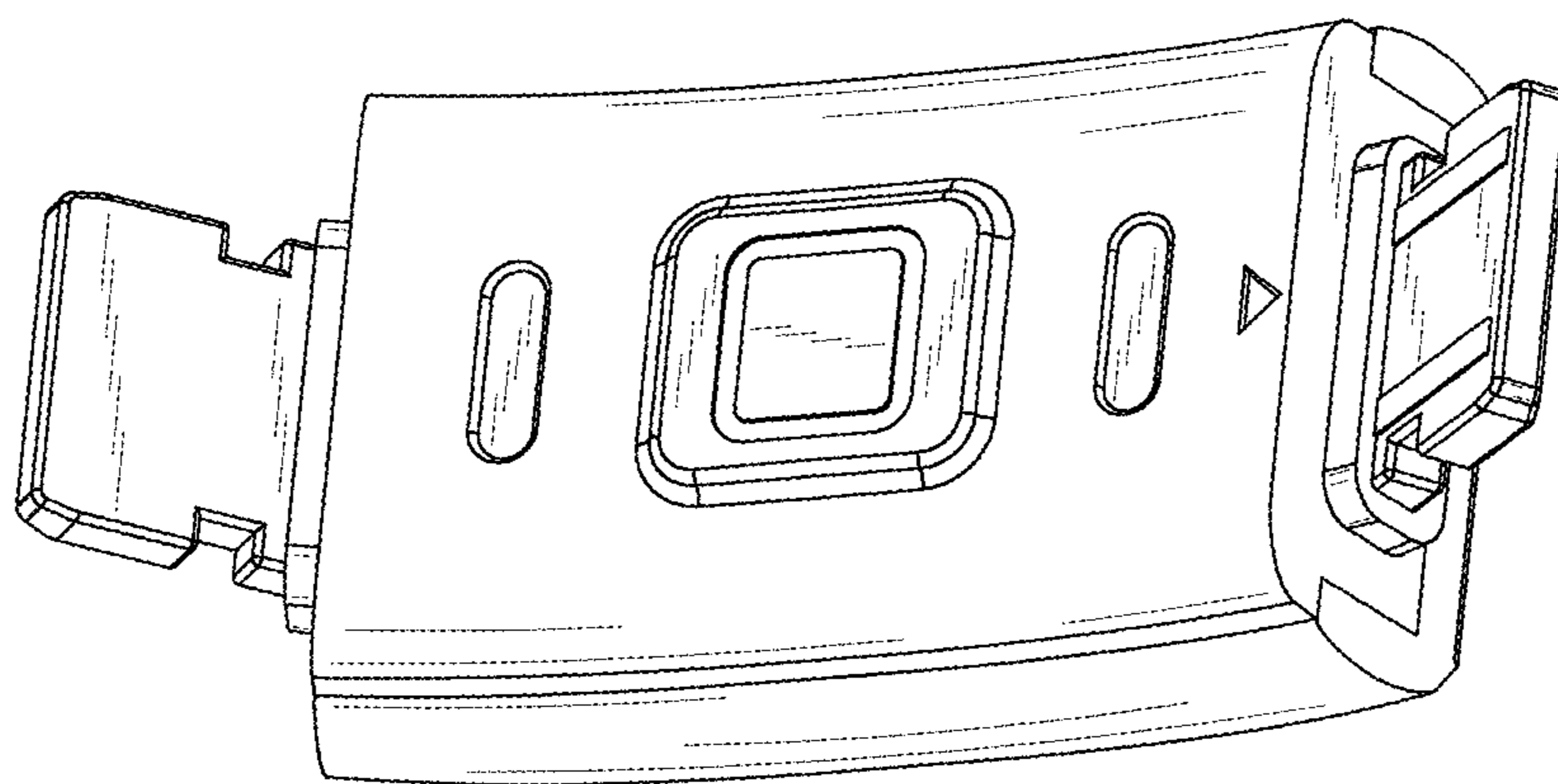


FIG. 8