



US00D829329S

(12) **United States Design Patent** (10) **Patent No.:** **US D829,329 S**
Quam et al. (45) **Date of Patent:** **** Sep. 25, 2018**

(54) **HEMODYNAMIC RECORDING SYSTEM SIGNAL INPUT BOX**

(71) Applicant: **Siemens Healthcare GmbH**, Erlangen (DE)

(72) Inventors: **Steve Quam**, Carpentersville, IL (US); **Detlef Koertge**, Carpentersville, IL (US); **Michael Cheng**, Buffalo Grove, IL (US); **Dana Cook**, Indian Creek, IL (US)

(73) Assignee: **Siemens Healthcare GmbH**, Erlangen (DE)

(**) Term: **15 Years**

(21) Appl. No.: **29/560,337**

(22) Filed: **Apr. 5, 2016**

(51) **LOC (11) Cl.** **24-01**

(52) **U.S. Cl.**
USPC **D24/186**

(58) **Field of Classification Search**
USPC D24/165–168, 186, 187, 107, 231, 232; D10/75; D14/433, 434, 447; D8/349, D8/380
CPC A61B 5/002; A61B 5/02028; A61B 5/022; A61B 5/024; A61B 5/026; A61B 5/029; A61B 5/4884
See application file for complete search history.

D381,338 S * 7/1997 Johansson D14/253
D523,014 S * 6/2006 Liu D14/240
D603,515 S * 11/2009 Blackwell D24/164
7,837,628 B2 * 11/2010 Secora A61B 5/0215
600/508
D678,531 S * 3/2013 Patil D24/186
D685,914 S * 7/2013 Corrigan D24/186
D700,343 S * 2/2014 Liu D24/186
D711,005 S * 8/2014 Purdy D24/186
D725,784 S * 3/2015 Xia D24/186
D743,398 S * 11/2015 Smith D14/433
D765,257 S * 8/2016 Marzynski D24/186
D782,683 S * 3/2017 Singh D24/167

* cited by examiner

Primary Examiner — Anhdao Doan

(74) *Attorney, Agent, or Firm* — Schiff Hardin LLP

(57) **CLAIM**

The ornamental design for a hemodynamic recording system signal input box, as shown and described.

DESCRIPTION

FIG. 1 is a top perspective view of a hemodynamic recording system signal input box showing our new design; FIG. 2 is a right side view thereof; FIG. 3 is a left side view thereof; FIG. 4 is a top view thereof; FIG. 5 is a bottom view thereof; FIG. 6 is a front side view thereof; and, FIG. 7 is a rear side view thereof. The broken lines represent portions of the hemodynamic recording system signal input box that form no part of the claimed design.

(56) **References Cited**
U.S. PATENT DOCUMENTS

D300,359 S * 3/1989 Lee D24/186
D348,104 S * 6/1994 Olsen D24/167

1 Claim, 7 Drawing Sheets

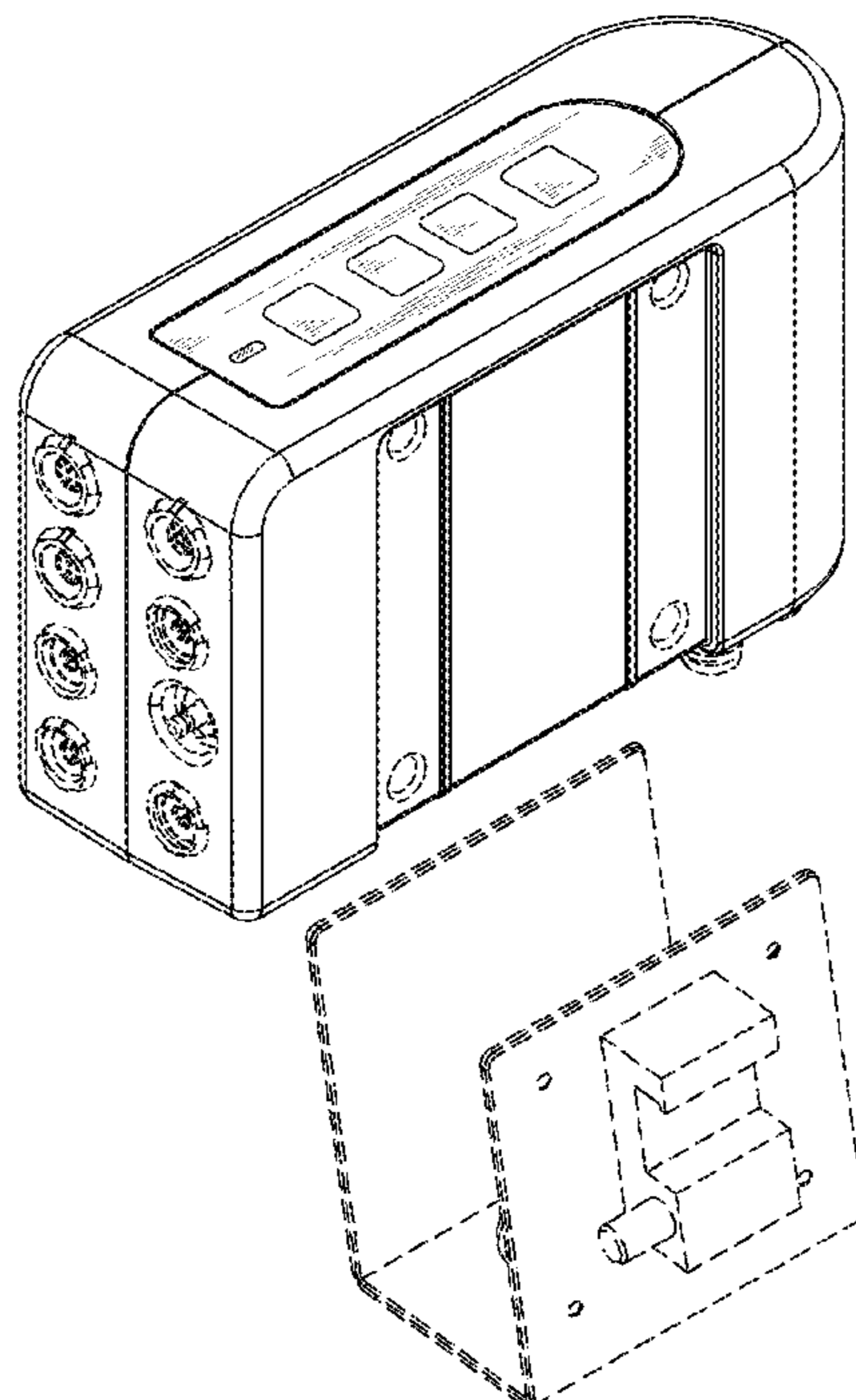


FIG 1

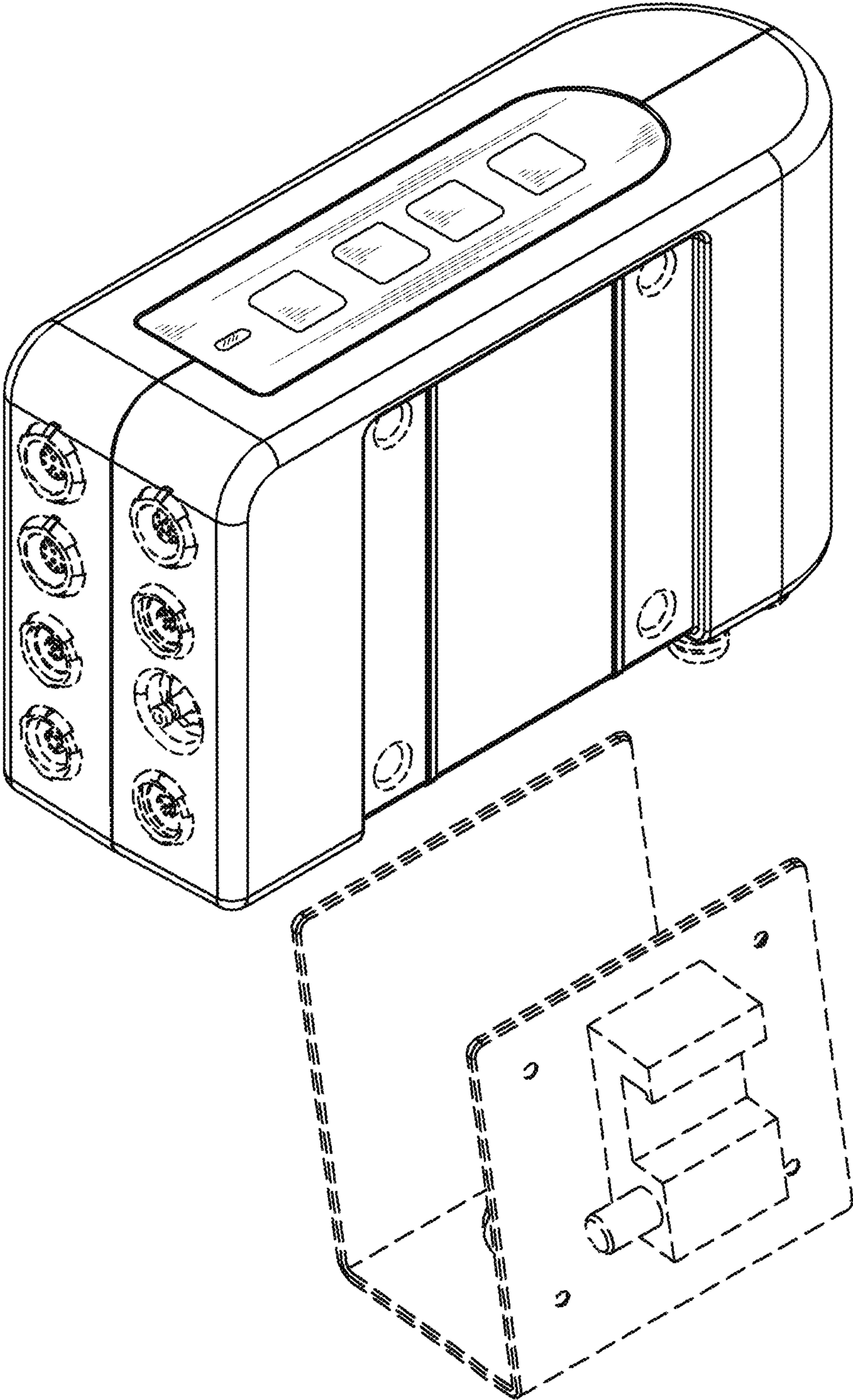


FIG 2

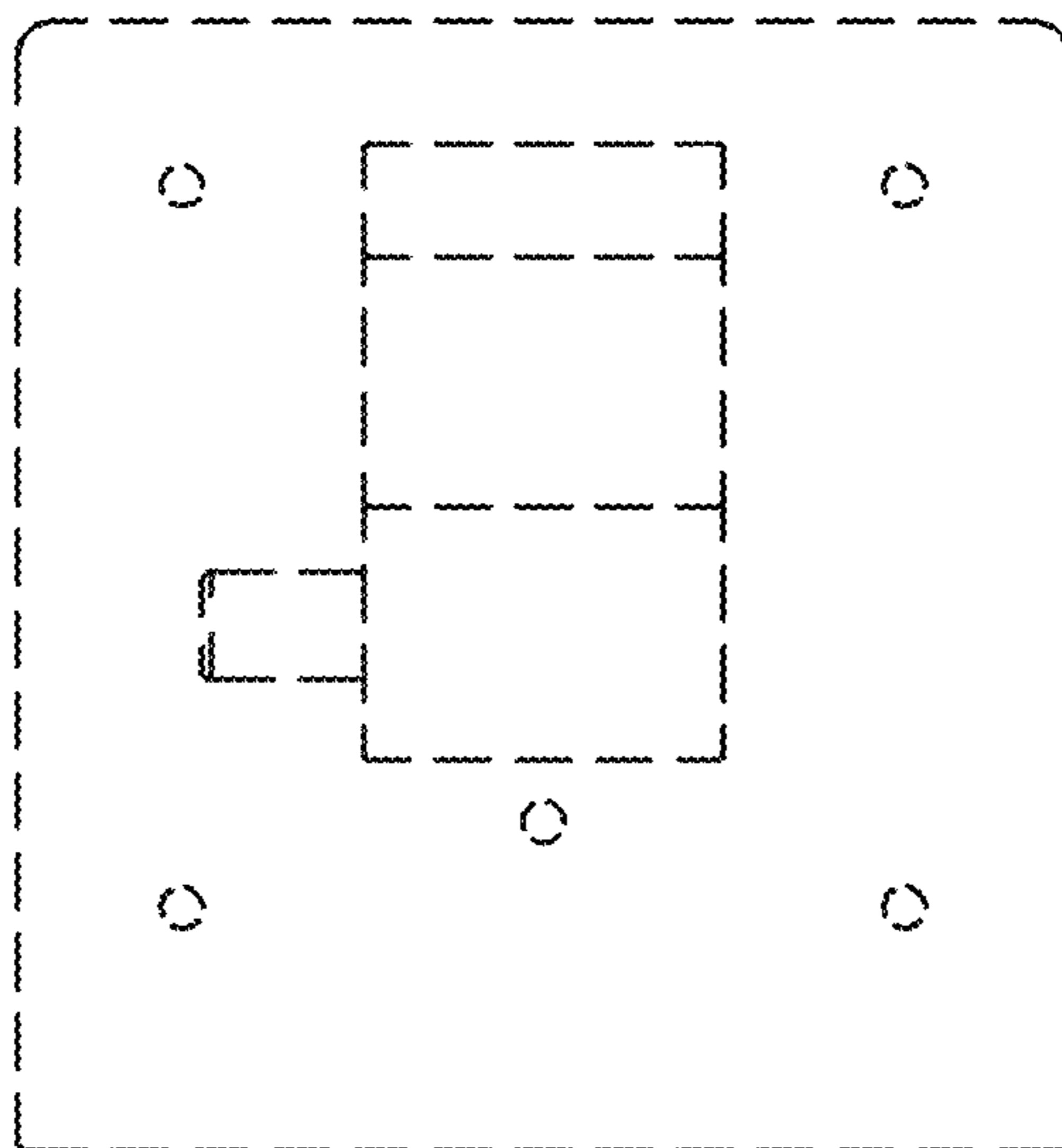
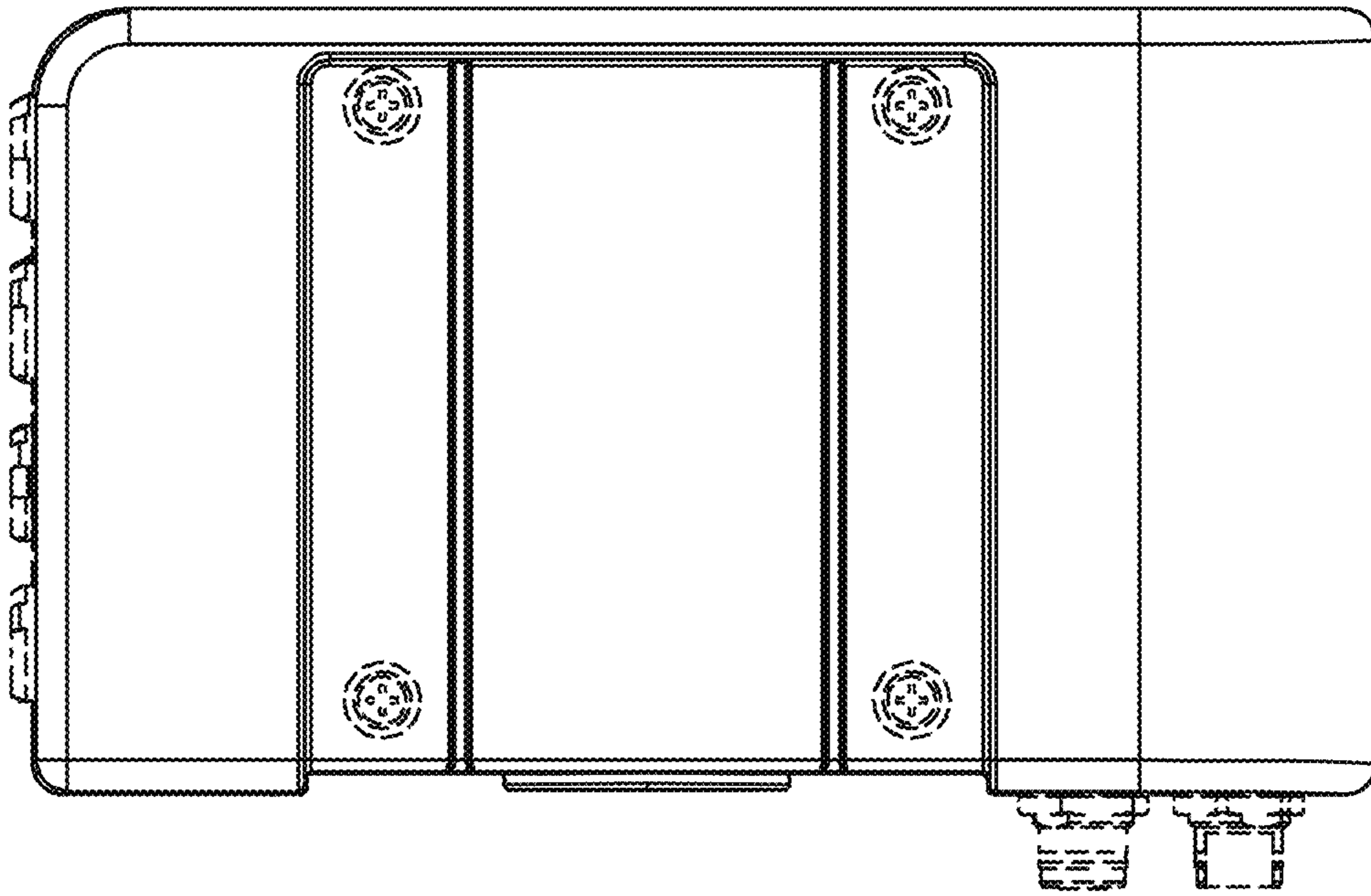


FIG 3

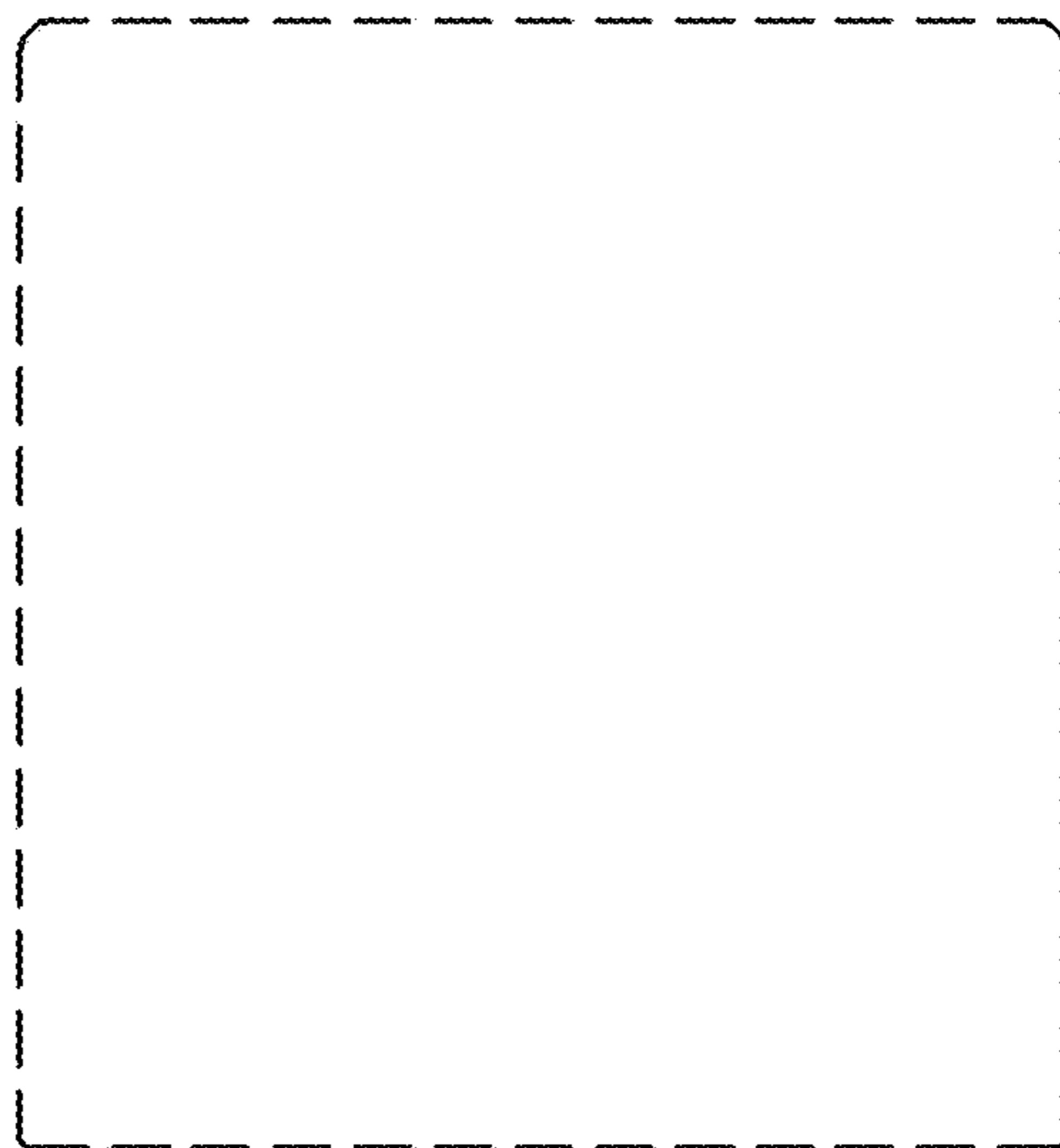
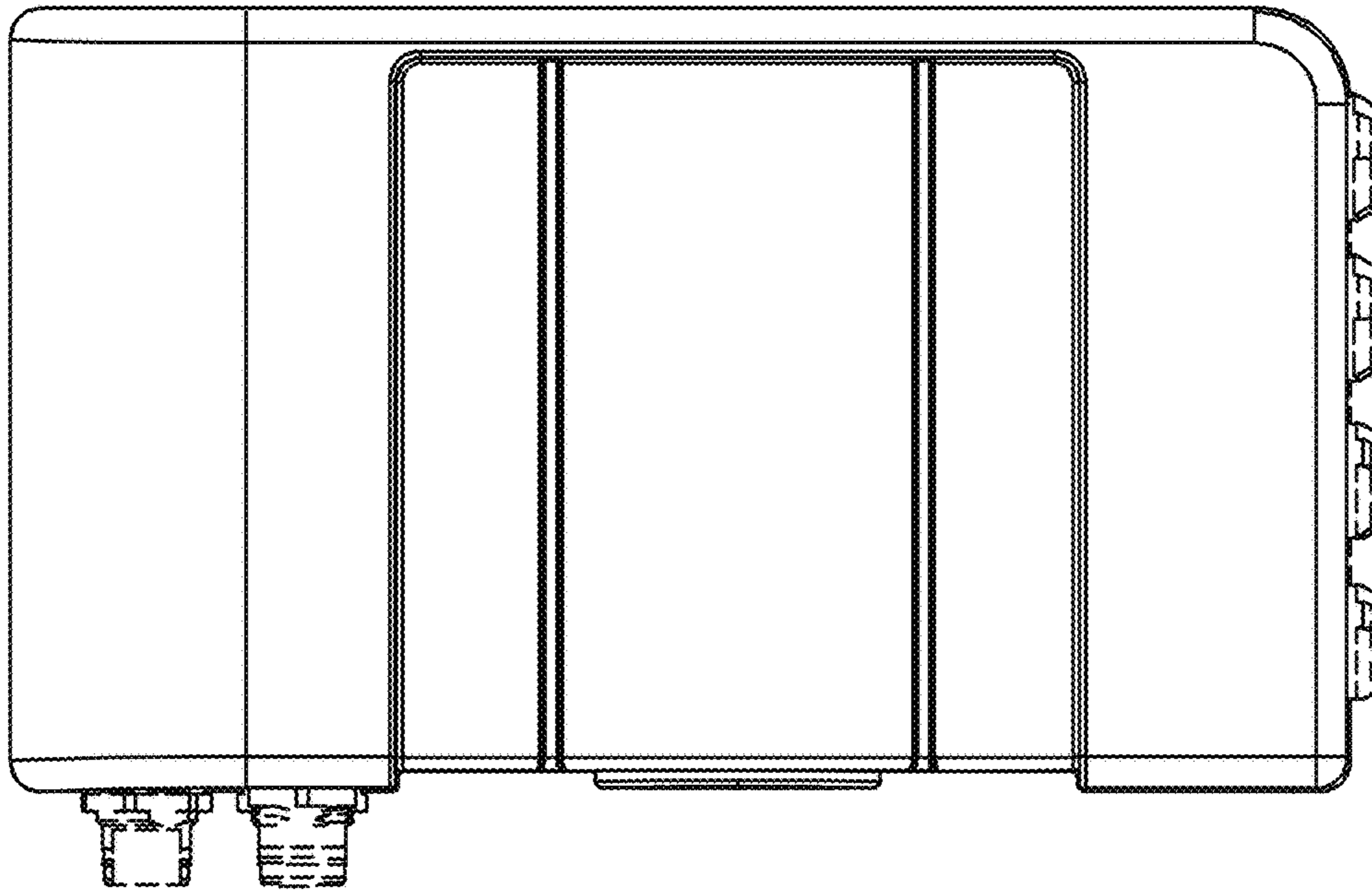


FIG 4

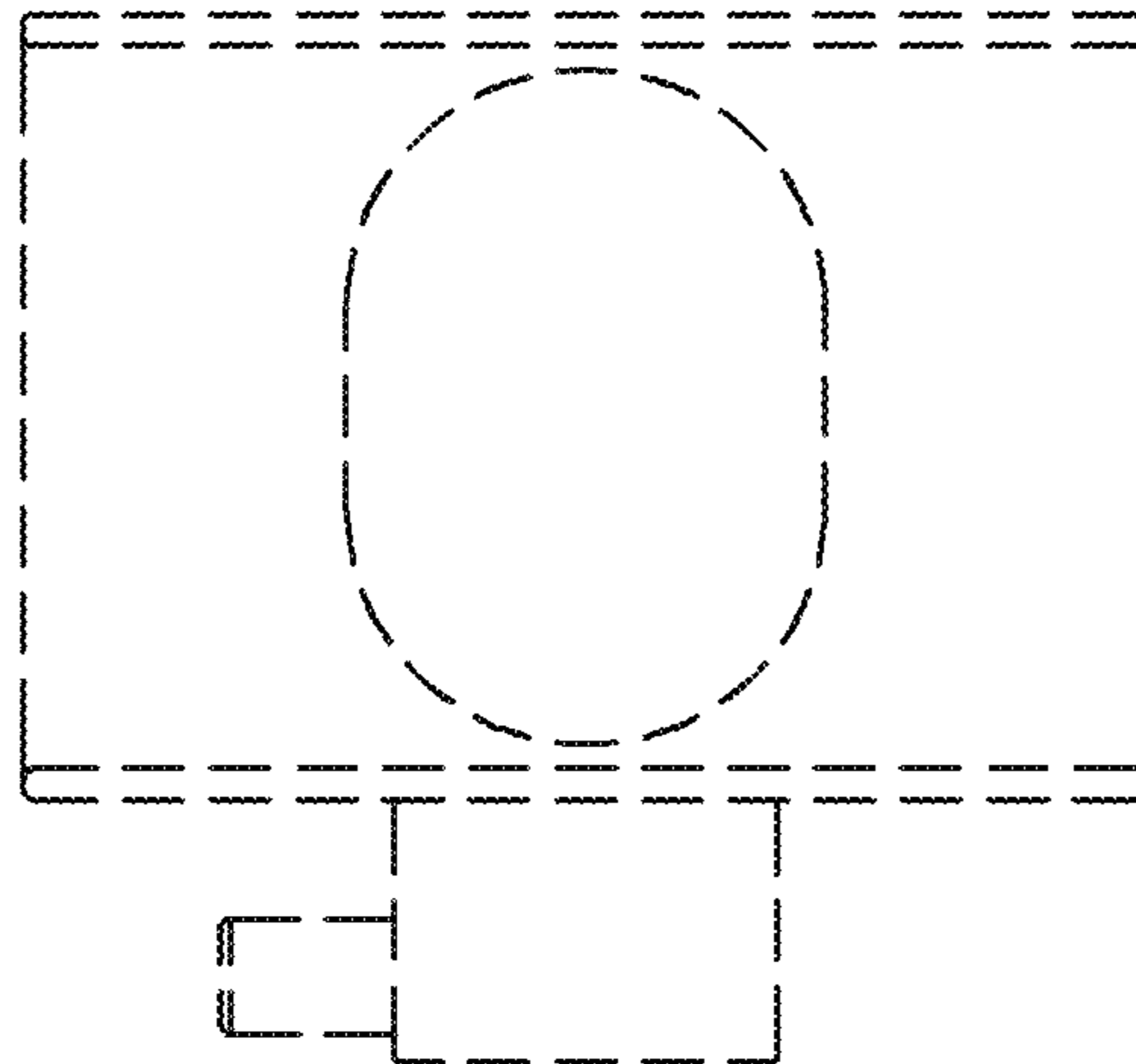
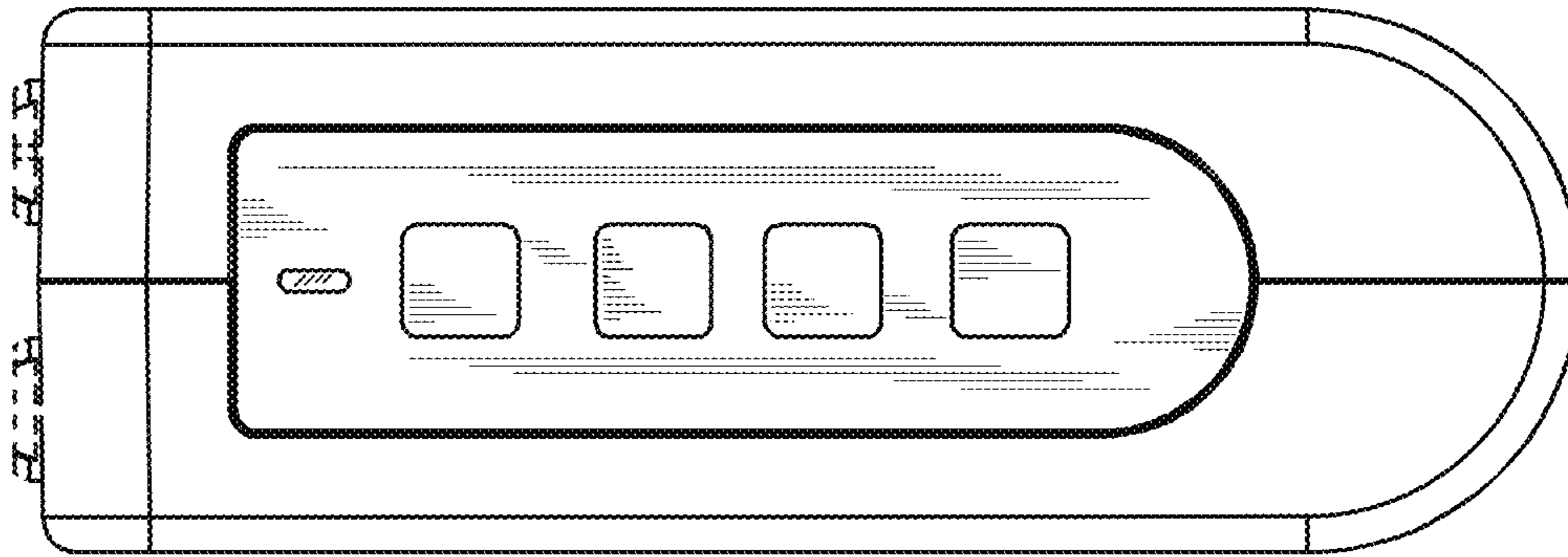


FIG 5

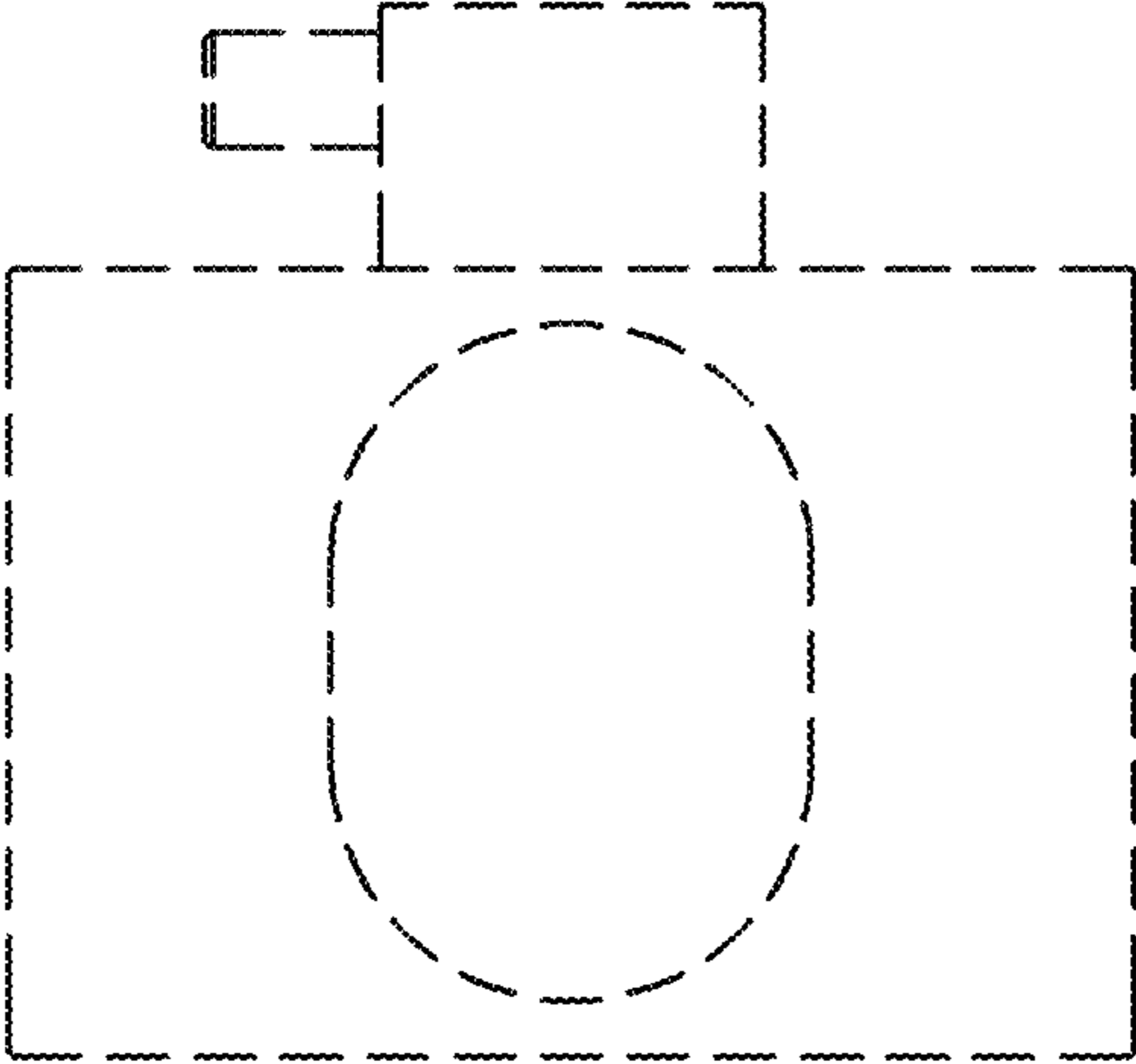
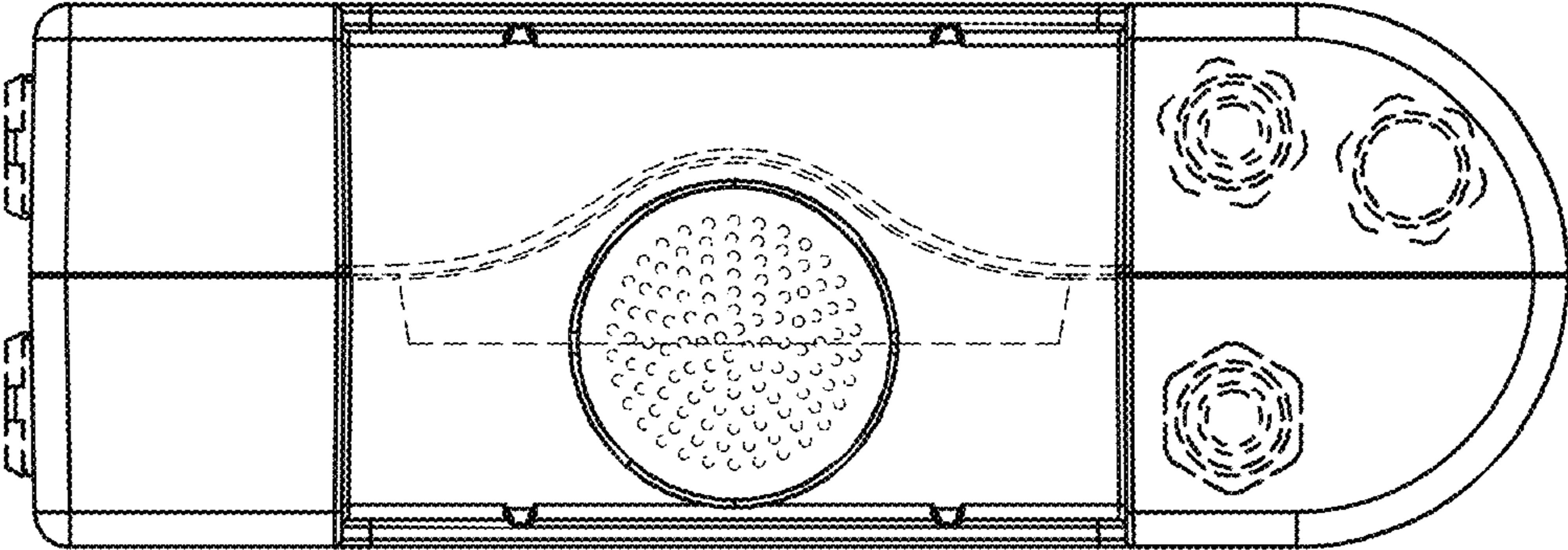


FIG 6

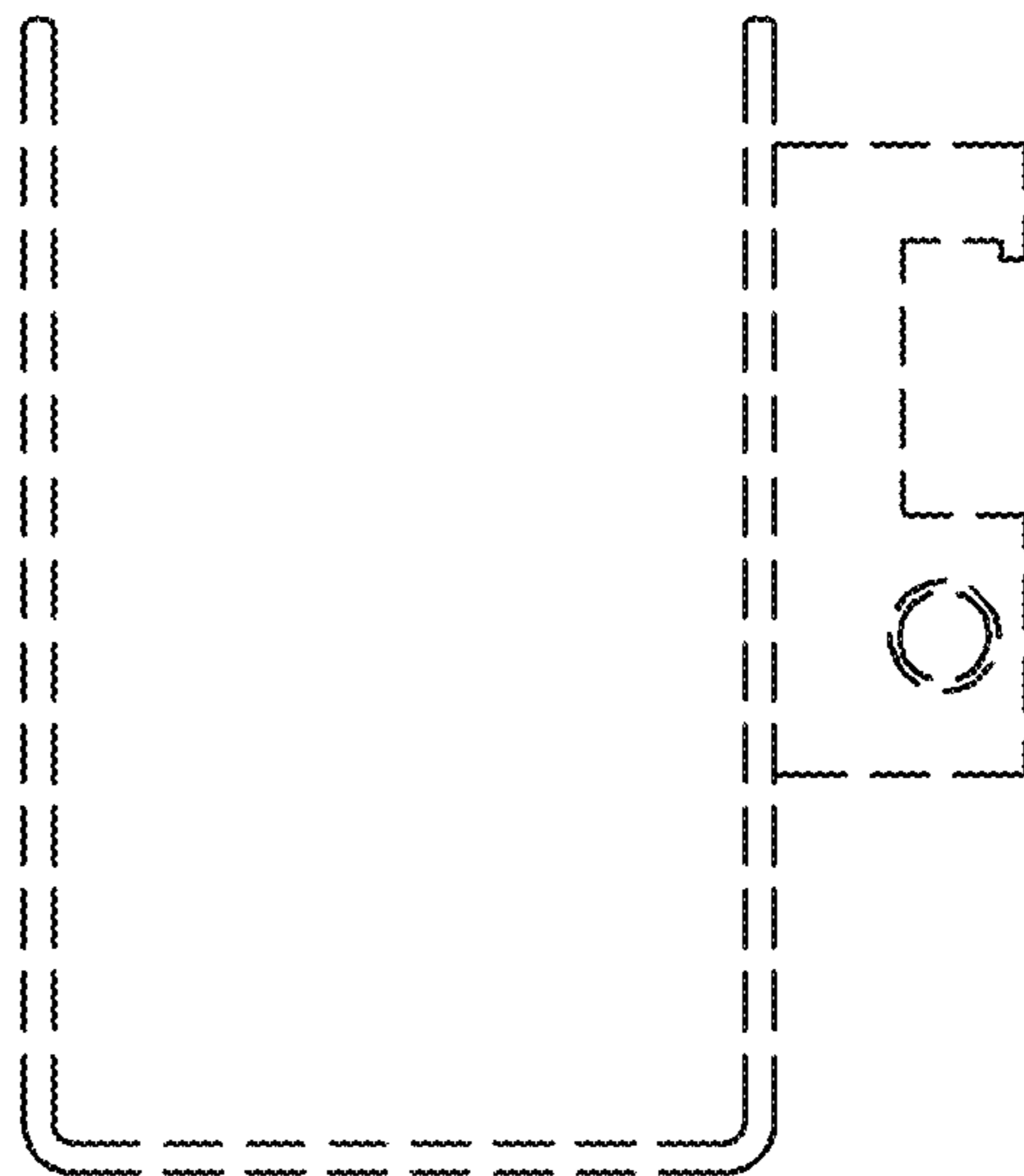
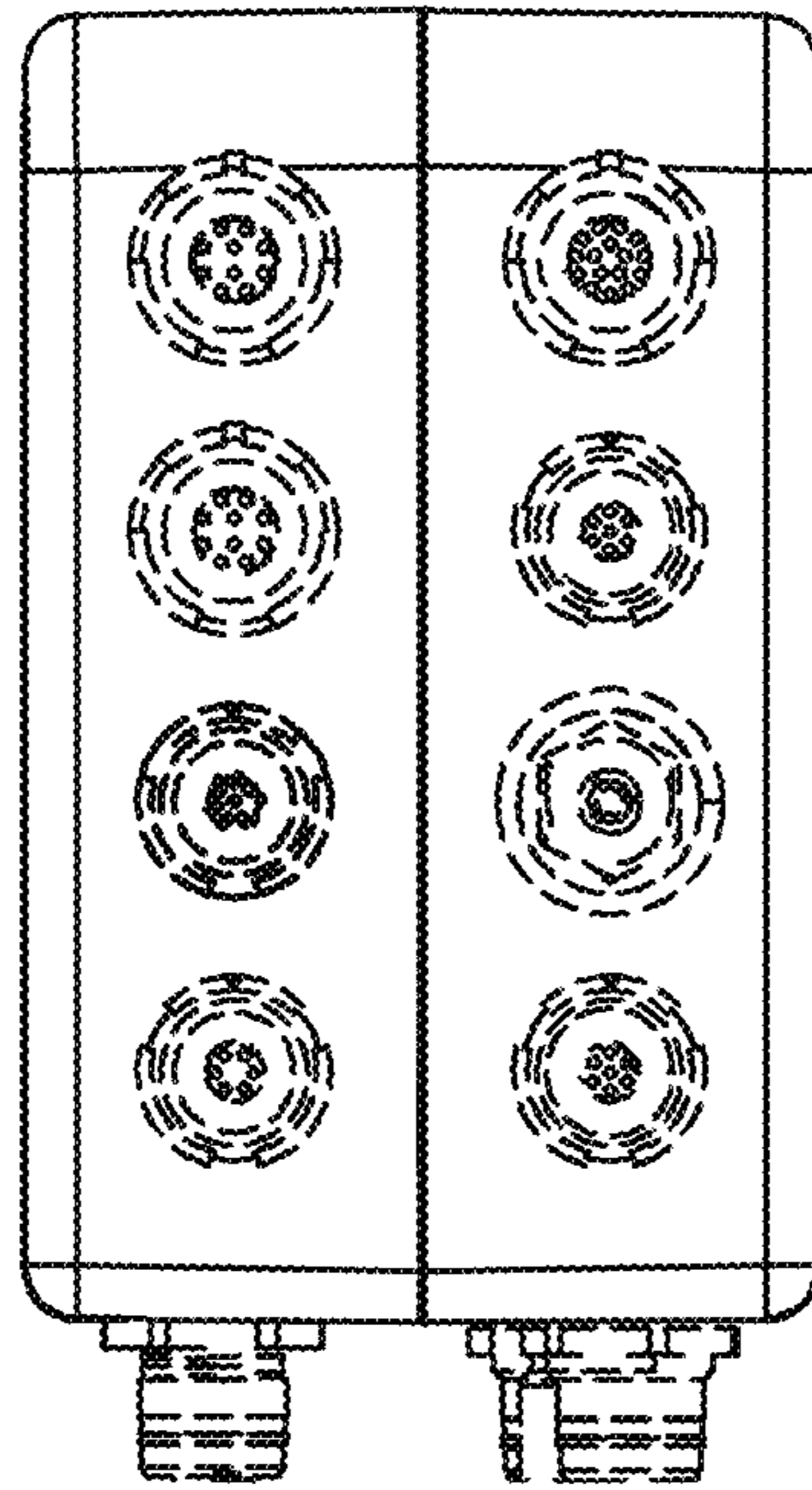


FIG 7

