



US00D829328S

(12) **United States Design Patent**
Highsmith

(10) **Patent No.:** **US D829,328 S**

(45) **Date of Patent:** **** Sep. 25, 2018**

- (54) **VISION TREATMENT APPARATUS**
- (71) Applicant: **Aletha Sue Highsmith**, Granger, IN
(US)
- (72) Inventor: **Aletha Sue Highsmith**, Granger, IN
(US)
- (**) Term: **15 Years**
- (21) Appl. No.: **29/590,071**
- (22) Filed: **Jan. 6, 2017**
- (51) **LOC (11) Cl.** **24-02**
- (52) **U.S. Cl.**
USPC **D24/172**
- (58) **Field of Classification Search**
USPC D24/172, 184, 150, 137, 108, 186;
D22/109; D14/299; 248/51; 156/295;
24/163 FC
CPC E05B 73/0005; B21D 39/20; A44B 11/24;
A61B 17/0231
See application file for complete search history.

| | | | | |
|--------------|---------|-------------|-------|--------------|
| D685,480 S * | 7/2013 | Husain | | D24/172 |
| D686,729 S * | 7/2013 | Christensen | | A61B 17/0231 |
| | | | | D24/150 |
| D734,470 S * | 7/2015 | Zhang | | D24/172 |
| D734,471 S * | 7/2015 | Pollanen | | D24/172 |
| D742,015 S * | 10/2015 | Husain | | D24/172 |
| D745,169 S * | 12/2015 | Sztuk | | D24/172 |
| D784,321 S * | 4/2017 | Eder | | D14/299 |
| D801,534 S * | 10/2017 | Koop | | D24/172 |
| D802,702 S * | 11/2017 | Zhang | | D22/109 |
| D821,535 S * | 6/2018 | Walker | | D22/109 |

* cited by examiner

Primary Examiner — Rhea Shields

(74) *Attorney, Agent, or Firm* — Botkin & Hall, LLP

(57) **CLAIM**

The ornamental design for a vision treatment apparatus, as shown and described.

DESCRIPTION

FIG. 1 is a front isometric view of the vision treatment apparatus;
 FIG. 2 is a top view of the vision treatment apparatus of FIG. 1;
 FIG. 3 is a front view of the vision treatment apparatus of FIG. 1;
 FIG. 4 is a right side view of the vision treatment apparatus of FIG. 1, the left side view being mirror symmetrical;
 FIG. 5 is a back view of the vision treatment apparatus of FIG. 1; and,
 FIG. 6 is a bottom view of the vision treatment apparatus of FIG. 1.

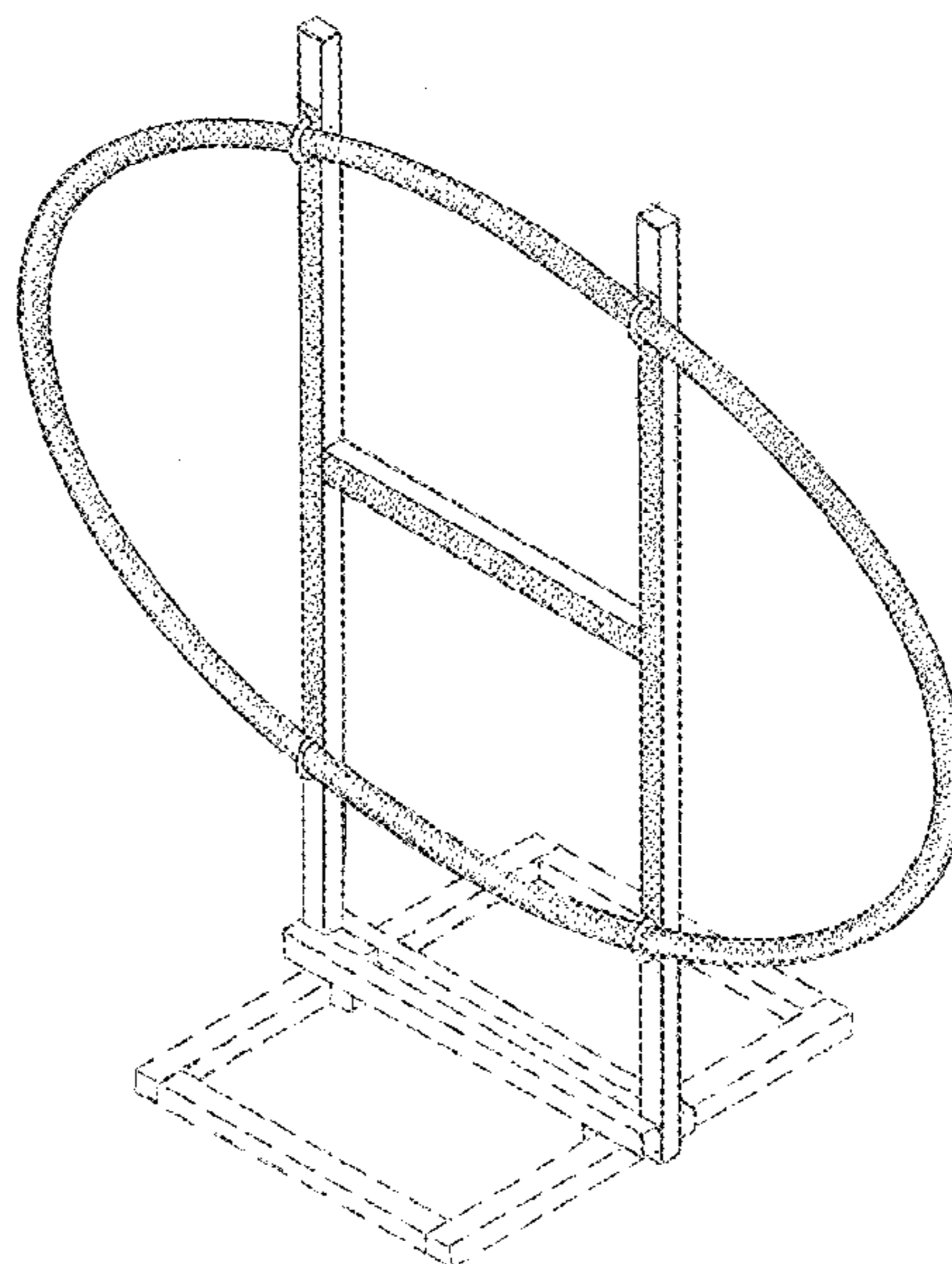
In the drawings, the broken lines are for the purpose of illustrating environment only and form no part of the claimed design.

1 Claim, 3 Drawing Sheets

(56) **References Cited**

U.S. PATENT DOCUMENTS

| | | | | |
|---------------|---------|------------|-------|--------------|
| 2,305,471 A * | 12/1942 | Greenblatt | | A44B 11/24 |
| | | | | 24/163 FC |
| 4,700,981 A * | 10/1987 | Seyler | | B21D 39/20 |
| | | | | 156/295 |
| 5,579,657 A * | 12/1996 | Makous | | E05B 73/0005 |
| | | | | 248/51 |
| D439,335 S * | 3/2001 | Walls | | D24/137 |
| D453,967 S * | 2/2002 | Davidian | | D24/150 |
| D612,942 S * | 3/2010 | Verdon-Roe | | D24/172 |
| D617,443 S * | 6/2010 | Grenon | | D24/108 |
| D645,967 S * | 9/2011 | Sharps | | D24/184 |
| D666,300 S * | 8/2012 | Suzuki | | D24/186 |



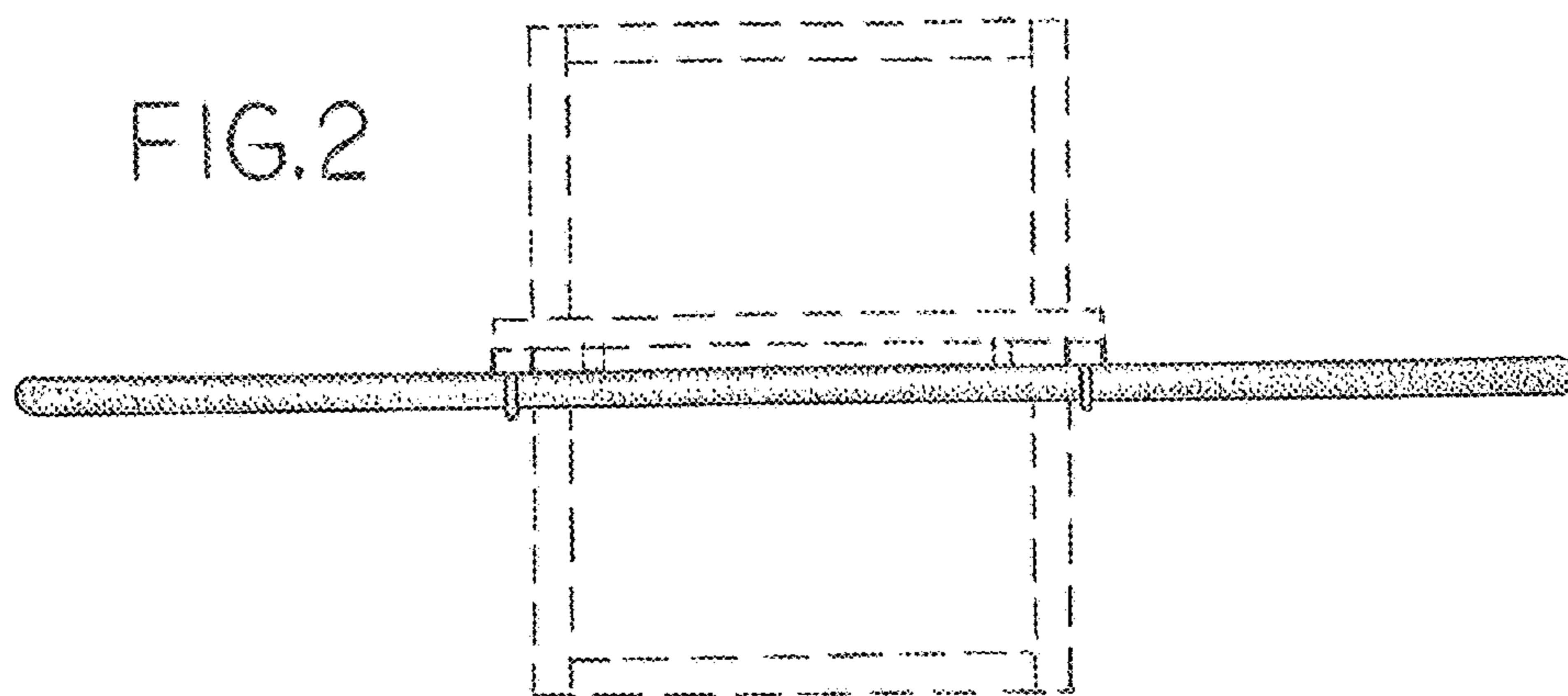
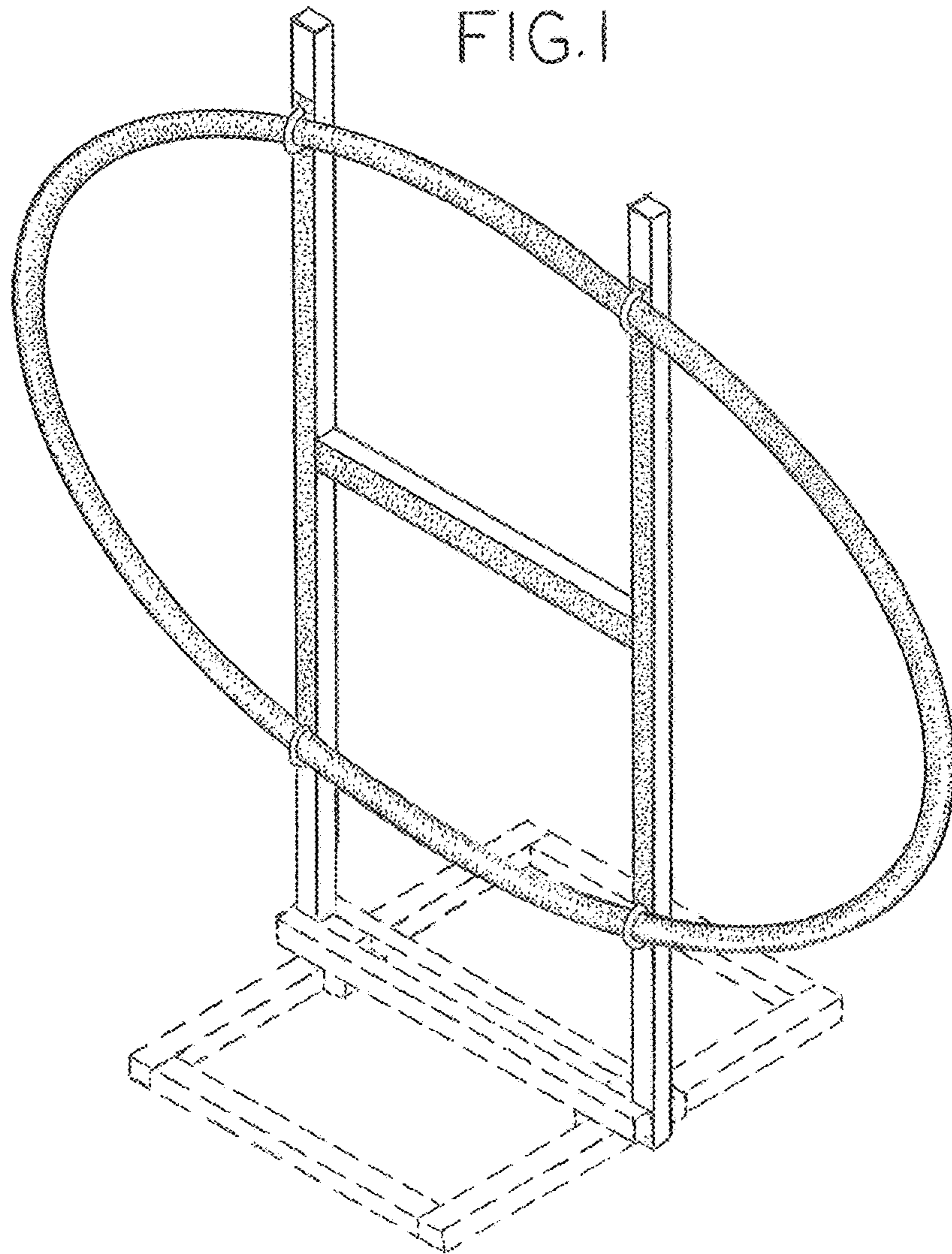


FIG.4

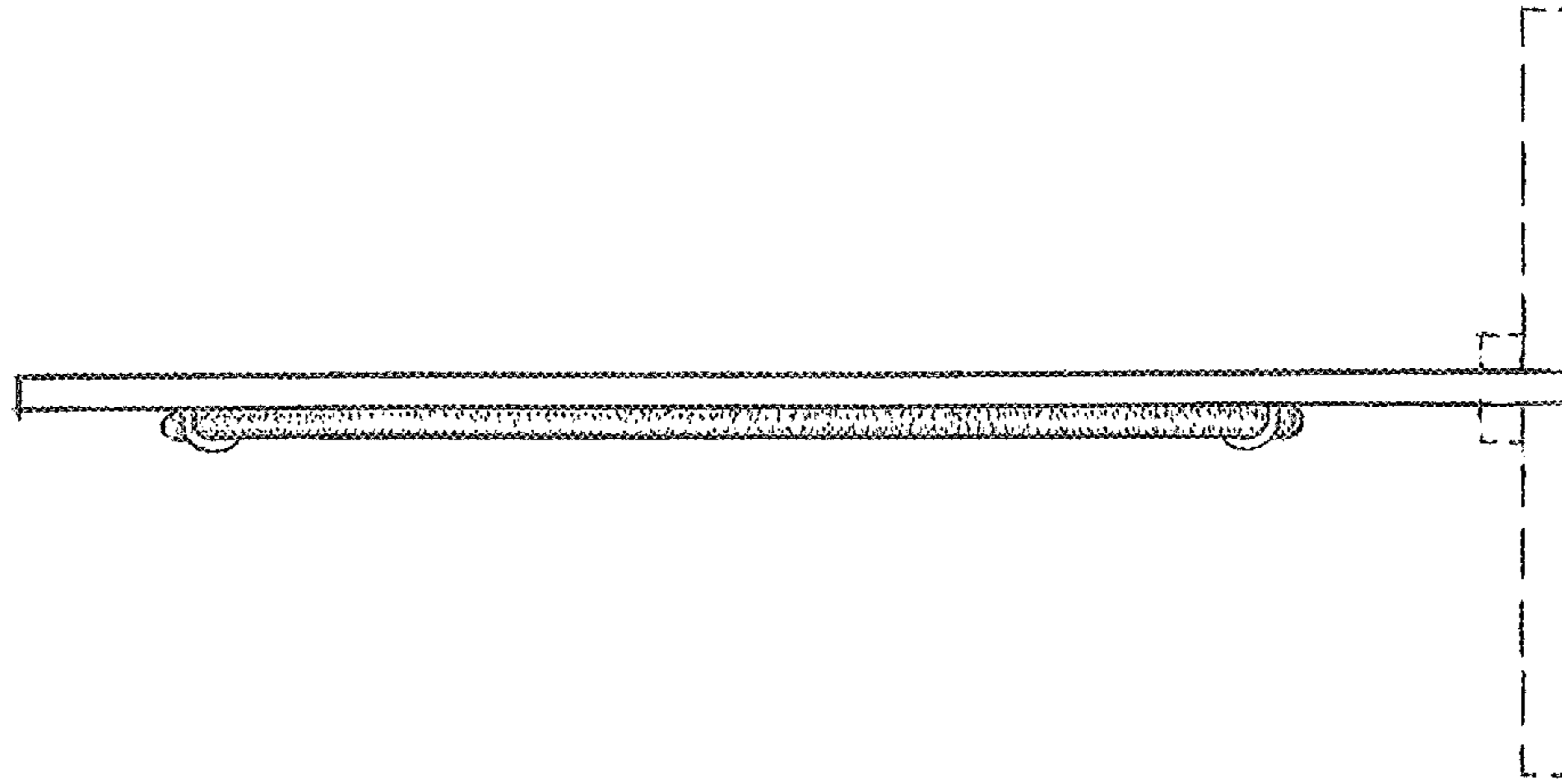


FIG.3

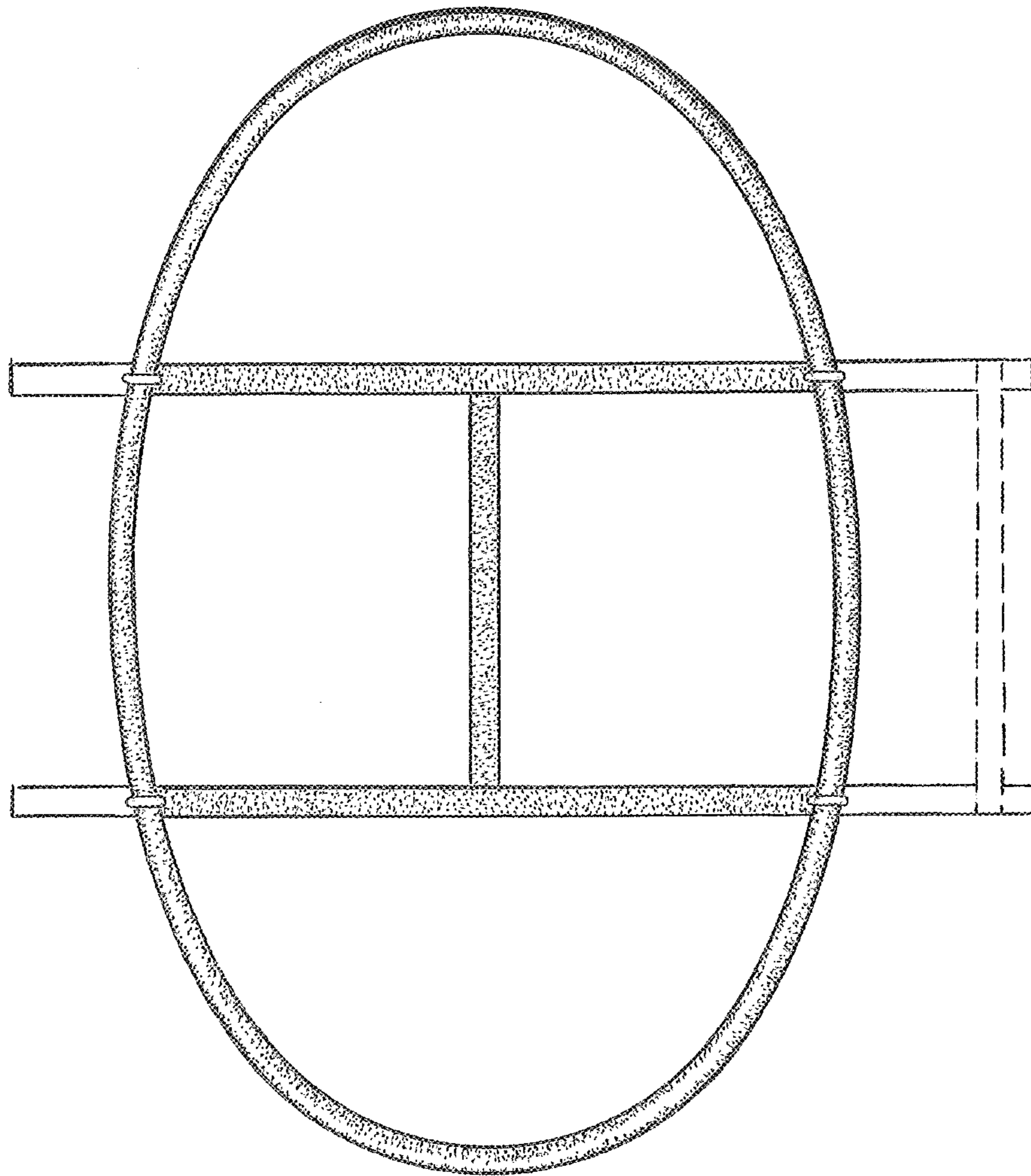


FIG.5

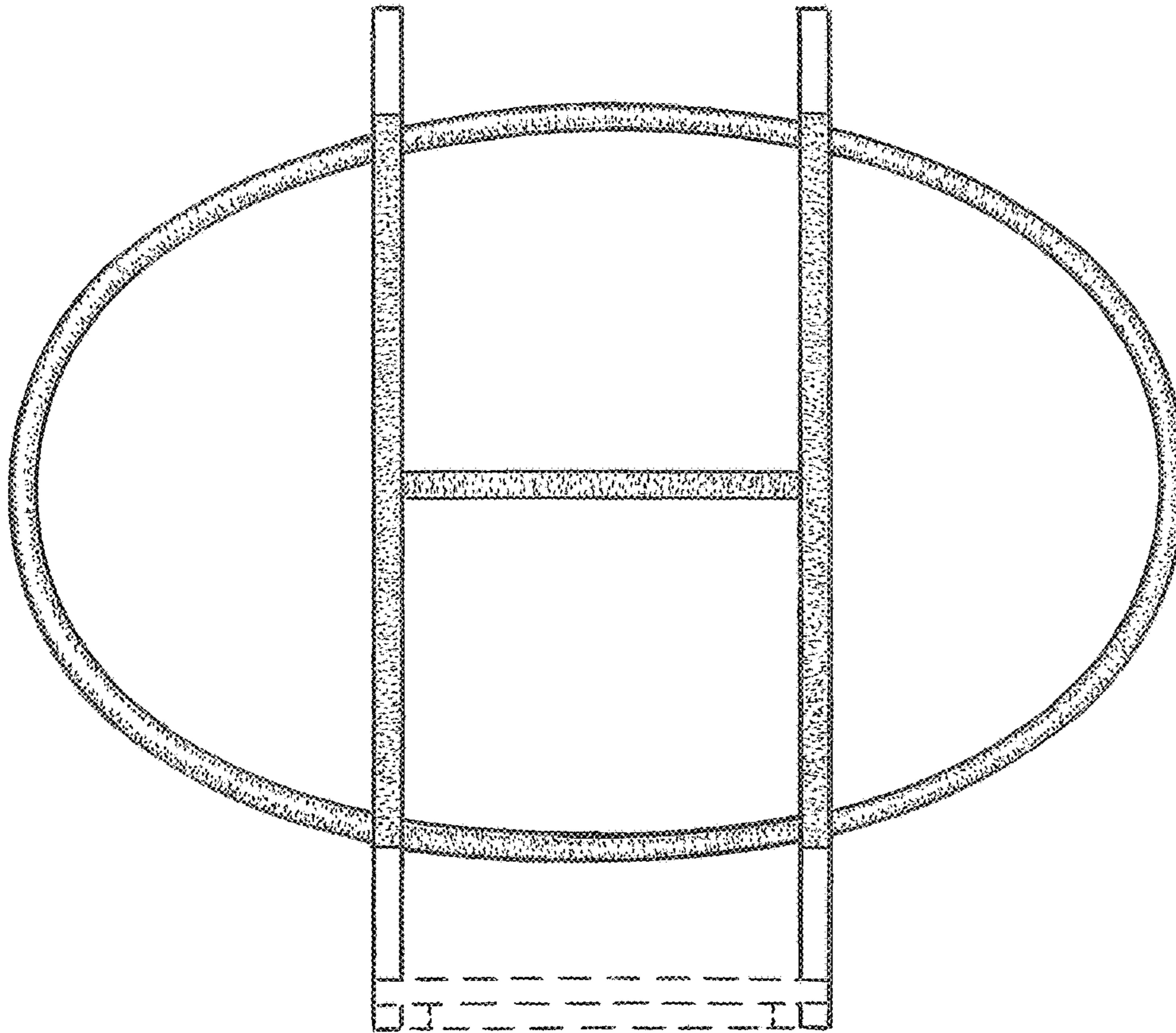


FIG.6

