



US00D829327S

(12) **United States Design Patent** (10) **Patent No.:** **US D829,327 S**
Brönnimann et al. (45) **Date of Patent:** **** Sep. 25, 2018**

(54) **IMPLANT HAVING POROUS SURFACE STRUCTURE**

FOREIGN PATENT DOCUMENTS

(71) Applicant: **OSTOMYCURE AS**, Oslo (NO)

EP D 477 475 B1 4/1992
EP 1 632 201 B1 3/2006

(Continued)

(72) Inventors: **Benedict Brönnimann**, Penthaz (CH);
Mats Erik Kindahl Cardell,
Sollentuna (SE); **Jan Anders Berglund**,
Järfälla (SE); **Robert Axelsson**, Gränna
(SE)

OTHER PUBLICATIONS

Search Report, Appl. No. EP 07114671, dated Dec. 4, 2007.

(Continued)

(73) Assignee: **Ostomycure AS**, Oslo (NO)

Primary Examiner — Charles D Hanson

(**) Term: **15 Years**

(74) *Attorney, Agent, or Firm* — Winston & Strawn LLP

(21) Appl. No.: **29/557,754**

(22) Filed: **Mar. 11, 2016**

(57) **CLAIM**

Related U.S. Application Data

The ornamental design for an implant having porous surface structure, as shown and described.

(63) Continuation-in-part of application No. 29/471,222, filed on Oct. 29, 2013, now abandoned.

(30) **Foreign Application Priority Data**

DESCRIPTION

Apr. 30, 2013 (WO) DM/081059

(51) **LOC (11) Cl.** **24-02**

(52) **U.S. Cl.**
USPC **D24/155**

(58) **Field of Classification Search**
USPC D24/155, 144, 127-129, 118
CPC A61F 5/445; A61F 5/448; A61F 5/4405;
A61F 2/91; A61F 2005/4455; A61M
39/0247; A61M 2039/0261
See application file for complete search history.

FIG. 1 is a top perspective view of an implant having a porous surface structure in accordance with the present invention.

FIG. 2 depicts a region 3 in the implant of FIG. 1 from which FIG. 3 is enlarged.

FIG. 3 is an exploded view of one porous structure for the region 3 depicted in FIG. 2.

FIG. 4 is a top perspective view of an implant having a porous surface structure in accordance with the present invention.

FIG. 5 depicts a region 6 in the implant of FIG. 4 from which FIG. 6 is enlarged; and,

FIG. 6 is an exploded view of a porous structure for the region 6 depicted in FIG. 5.

The broken line showing is included for the purpose of illustrating environment and forms no part of the claimed design.

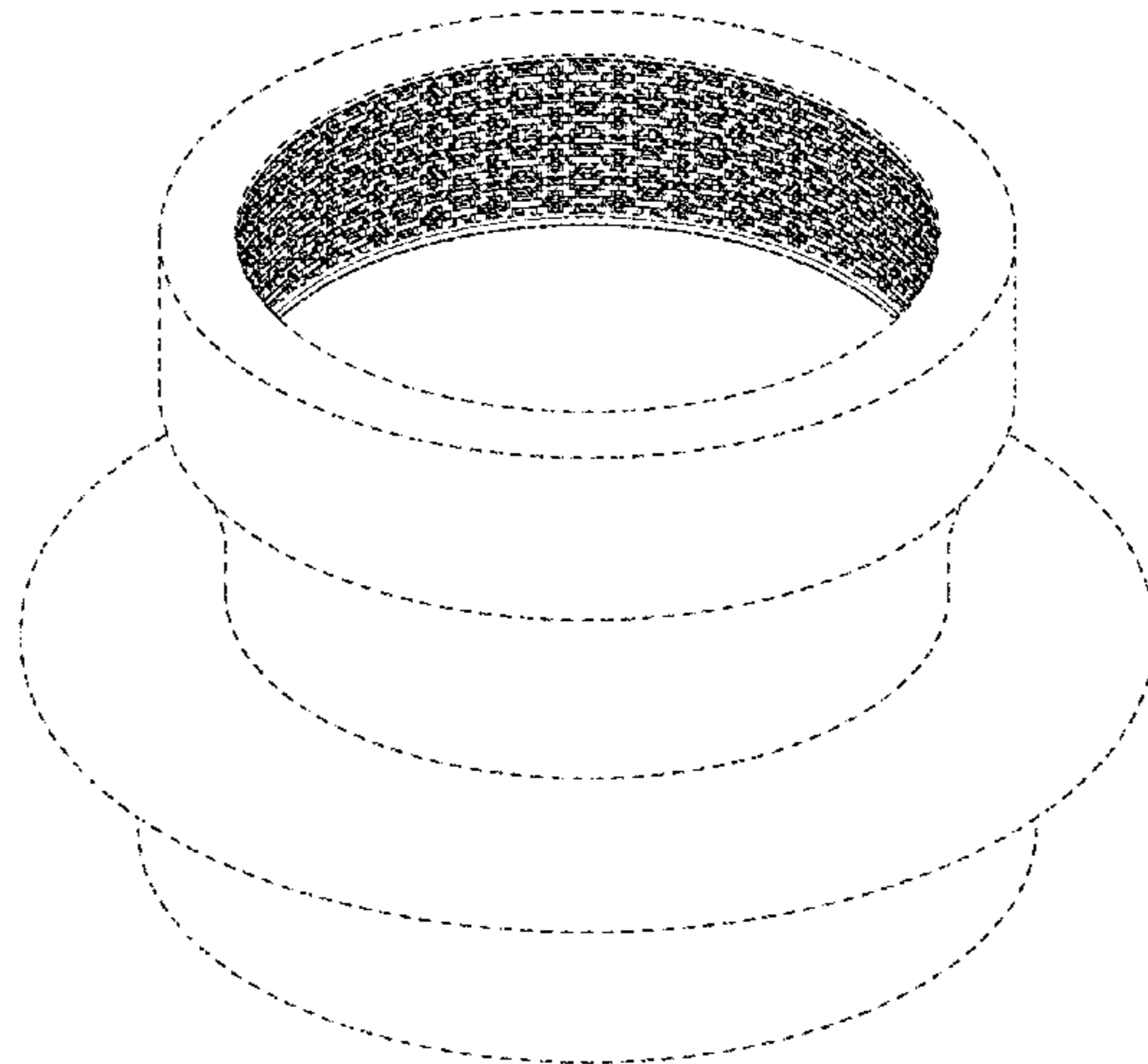
(56) **References Cited**

U.S. PATENT DOCUMENTS

D10,388 S 1/1878 Jennings
D18,610 S 9/1888 Upton
D42,301 S 3/1912 Sauer
D62,791 S 7/1923 Moore et al.

(Continued)

1 Claim, 6 Drawing Sheets



(56)

References Cited

U.S. PATENT DOCUMENTS

D99,691 S 5/1936 White
 D102,821 S 1/1937 Forstmann
 D106,129 S 9/1937 Bauman
 D127,624 S 6/1941 Tips
 2,738,566 A 3/1956 Scott, Jr.
 D177,976 S 6/1956 Harwin et al.
 D194,583 S 2/1963 Hauer
 3,236,718 A 2/1966 Cohen et al.
 3,663,965 A 5/1972 Lee, Jr. et al.
 3,736,934 A * 6/1973 Hennessy A61F 5/448
 604/342
 3,910,075 A 10/1975 Holliday
 3,922,888 A 12/1975 Patterson
 4,119,100 A 10/1978 Rickett
 4,183,357 A 1/1980 Bentley et al.
 D254,274 S 2/1980 Avins
 D254,275 S 2/1980 Avins
 4,217,664 A 8/1980 Faso
 D294,394 S 2/1988 Howard
 5,098,397 A 3/1992 Svensson et al.
 D330,259 S 10/1992 Nemchock
 5,269,774 A 12/1993 Gray
 5,423,761 A 6/1995 Hein et al.
 5,425,761 A 6/1995 Lundgren
 5,580,423 A 12/1996 Ampulski et al.
 5,882,341 A 3/1999 Bousquet
 6,017,355 A 1/2000 Hessel et al.
 6,438,397 B1 8/2002 Bousquet et al.
 D474,847 S 5/2003 Seymour et al.
 D571,023 S 6/2008 Urriola
 D619,273 S 7/2010 Bao
 7,935,096 B2 5/2011 Johansson et al.
 8,449,512 B2 5/2013 Villani et al.
 8,647,304 B2 * 2/2014 Axelsson A61F 5/445
 604/164.04
 8,821,462 B2 * 9/2014 Axelsson A61F 5/445
 604/332
 8,998,862 B2 * 4/2015 Hanuka A61F 5/4405
 604/318
 D752,750 S * 3/2016 Bronnimann D24/155
 2001/0051794 A1 12/2001 Bestetti et al.
 2002/0099344 A1 7/2002 Hessel et al.
 2003/0026950 A1 2/2003 Kershaw et al.
 2004/0006396 A1 1/2004 Ricci et al.
 2006/0052759 A1 3/2006 Johansson et al.
 2006/0128249 A1 6/2006 Putnam
 2007/0132155 A1 * 6/2007 Burgermeister A61L 31/04
 264/479
 2008/0008860 A1 1/2008 Murray et al.
 2009/0192464 A1 7/2009 Axelsson et al.
 2010/0131050 A1 * 5/2010 Zhao A61L 31/022
 623/1.42
 2011/0092929 A1 * 4/2011 Weig A61F 5/445
 604/338
 2011/0178540 A1 7/2011 Axelsson et al.
 2011/0196324 A1 8/2011 Johansson et al.
 2011/0251452 A1 * 10/2011 Villani A61F 5/445
 600/37
 2011/0316919 A1 * 12/2011 Baldy, Jr. B41J 2/0456
 347/14

2012/0123361 A1 5/2012 Johansson et al.
 2013/0197458 A1 * 8/2013 Salama A61F 5/4405
 604/335
 2014/0052085 A1 * 2/2014 Johansson A61F 5/445
 604/338

FOREIGN PATENT DOCUMENTS

EP 1 825 839 A1 8/2007
 EP 2 027 835 A1 2/2009
 GB 2 045 084 A 10/1980
 GB 2 105 197 A 3/1983
 JP 2002-507901 A 3/2002
 WO 92/08499 A1 5/1992
 WO 98/58691 A1 12/1998
 WO 00/62722 A1 10/2000
 WO 01/08597 A1 2/2001
 WO 2005/056079 A1 6/2005
 WO 2007/099500 A1 9/2007
 WO 2009/024568 A1 2/2009
 WO 2010/000851 A2 1/2010
 WO 2010/125346 A1 11/2010
 WO 2011/126724 A1 10/2011
 WO 2012/007755 A2 1/2012
 WO 2012/131351 A2 10/2012

OTHER PUBLICATIONS

Search Report, Appl. No. GB 1105126.5, dated Jul. 15, 2011.
 Search Report, Appl. No. GB 1105126.5, dated Jan. 20, 2012.
 International Search Report and Written Opinion, Appl. No. PCT/IB2007/050646, dated Jul. 27, 2007.
 International Search Report, Appl. No. PCT/EP2008/060837, dated Nov. 7, 2008.
 International Search Report and Written Opinion, Appl. No. PCT/GB2012/050668, dated Sep. 28, 2012.
 U.S. Appl. No. 29/471,222, Non-Final Rejection, dated Jul. 21, 2015.
 U.S. Appl. No. 29/471,222, Final Rejection, dated Nov. 13, 2015.
 U.S. Appl. No. 29/471,220, Restriction Requirement, dated Aug. 5, 2015.
 U.S. Appl. No. 29/471,220, Ex Parte Quayle Action, Nov. 27, 2015.
 U.S. Appl. No. 29/471,220, Notice of Allowance, dated Dec. 23, 2015.
 U.S. Appl. No. 29/541,457, Ex Parte Quayle Action, Mar. 11, 2016.
 U.S. Appl. No. 12/280,610, Restriction Requirement, dated Dec. 23, 2010.
 U.S. Appl. No. 12/280,610, Non-Final Rejection, dated Mar. 22, 2011.
 U.S. Appl. No. 12/280,610, Applicant-Initiated Interview Summary, Sep. 16, 2011.
 U.S. Appl. No. 12/280,610, Non-Final Rejection, dated Mar. 16, 2012.
 U.S. Appl. No. 12/280,610, Final Rejection, dated Jan. 9, 2013.
 U.S. Appl. No. 12/280,610, Advisory Action, dated Mar. 15, 2013.
 U.S. Appl. No. 12/280,610, Applicant-Initiated Interview Summary, dated Apr. 12, 2013.
 U.S. Appl. No. 12/280,610, Notice of Allowance, dated Oct. 17, 2013.

* cited by examiner

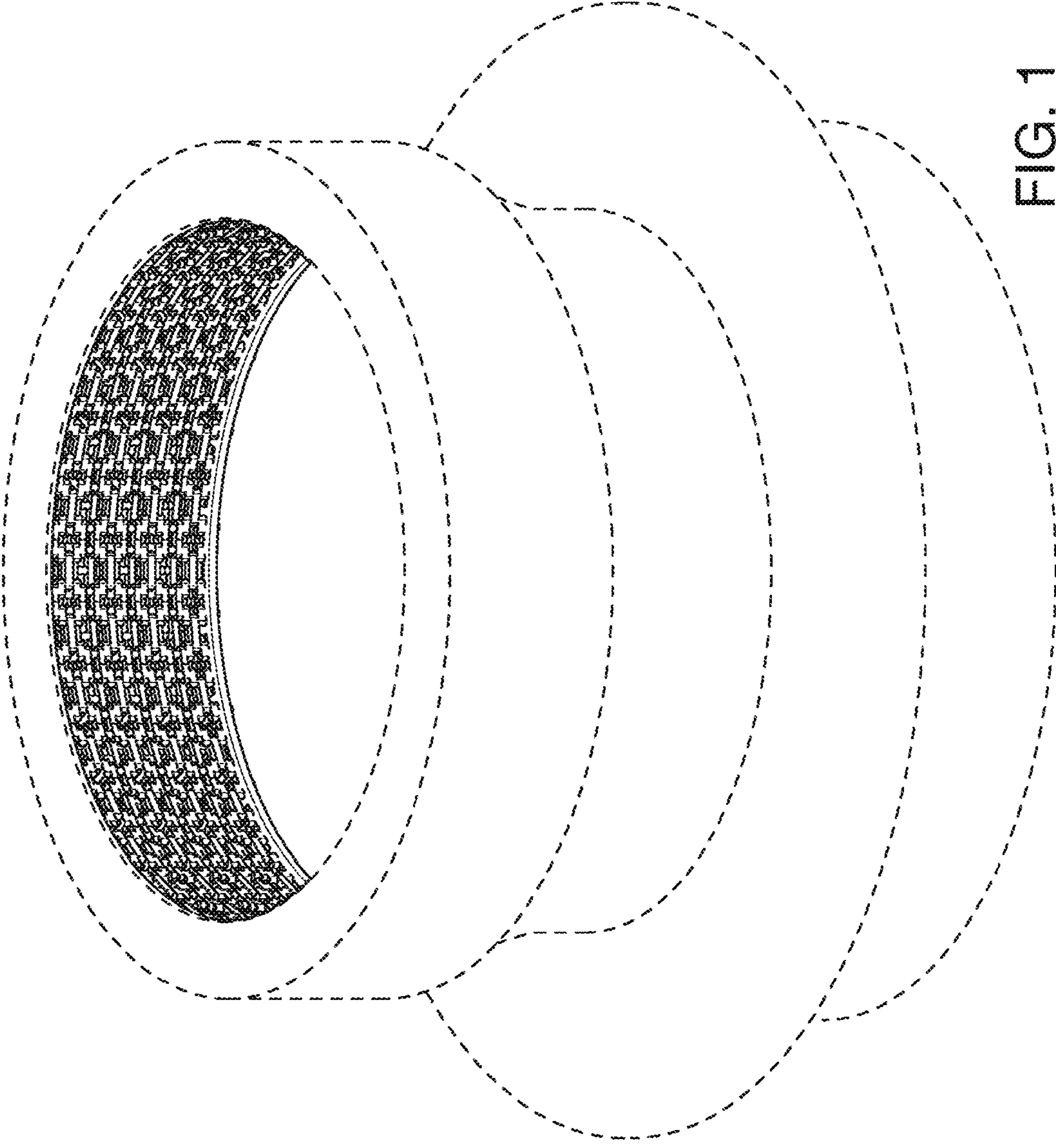


FIG. 1

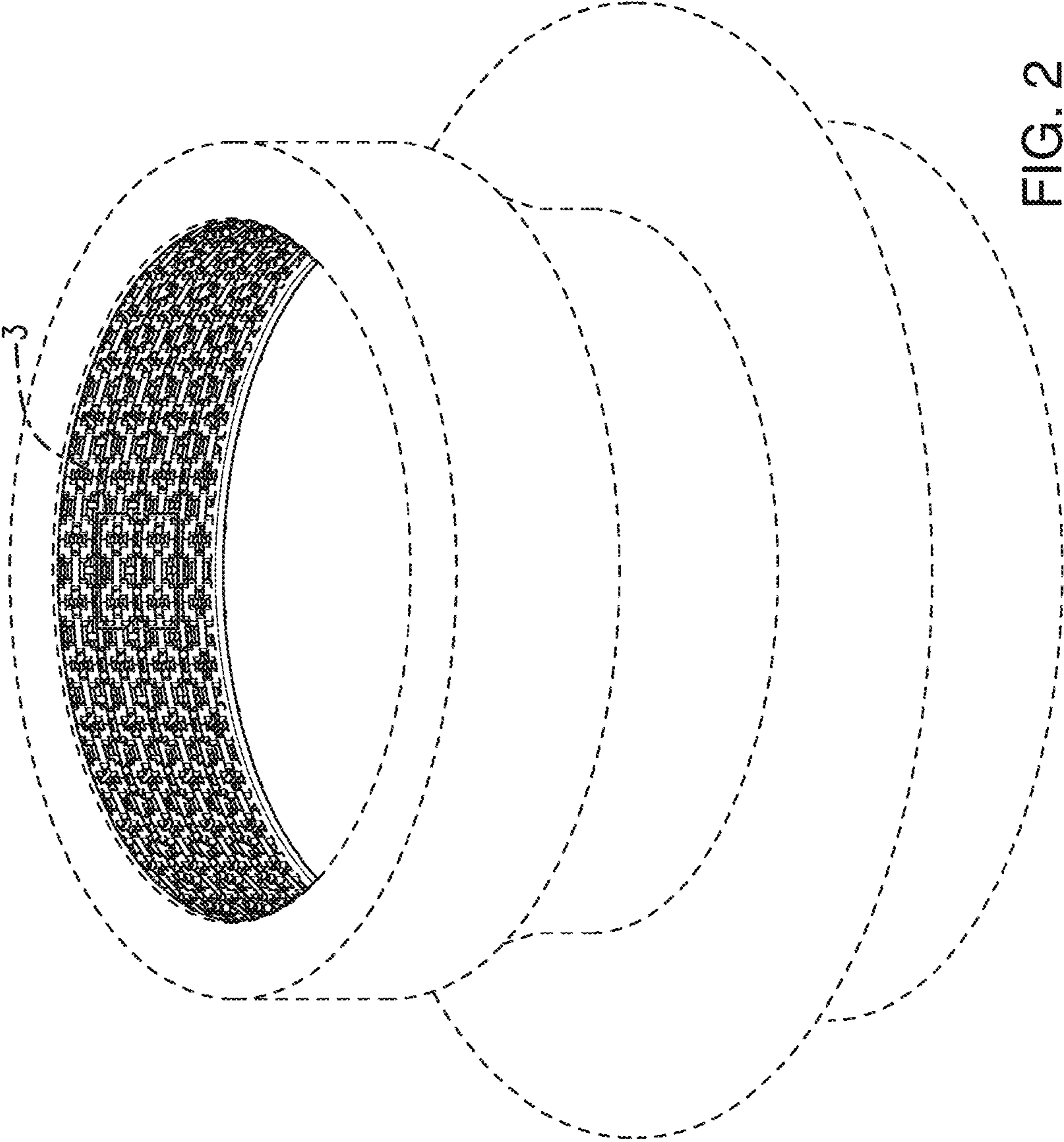


FIG. 2

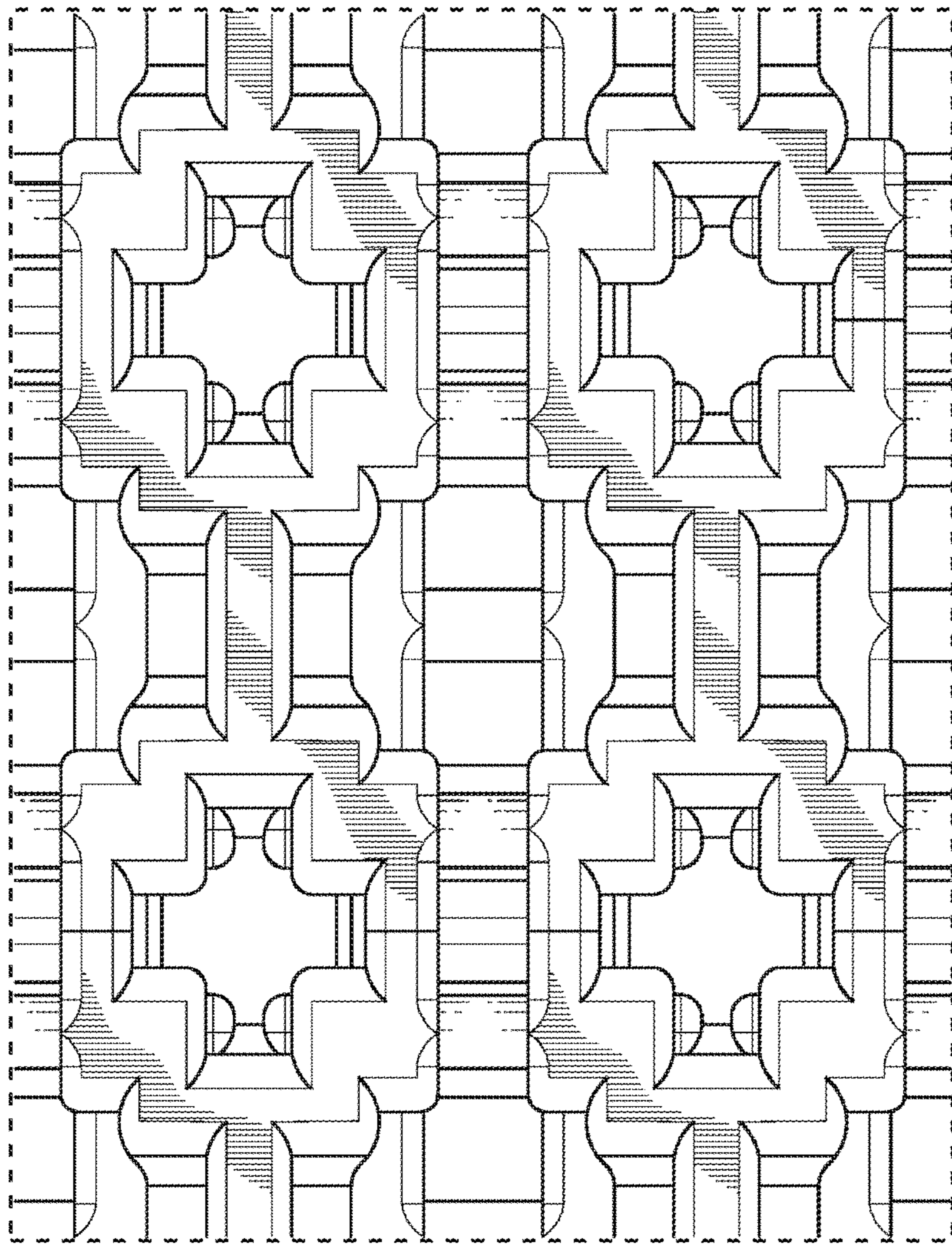


FIG. 3

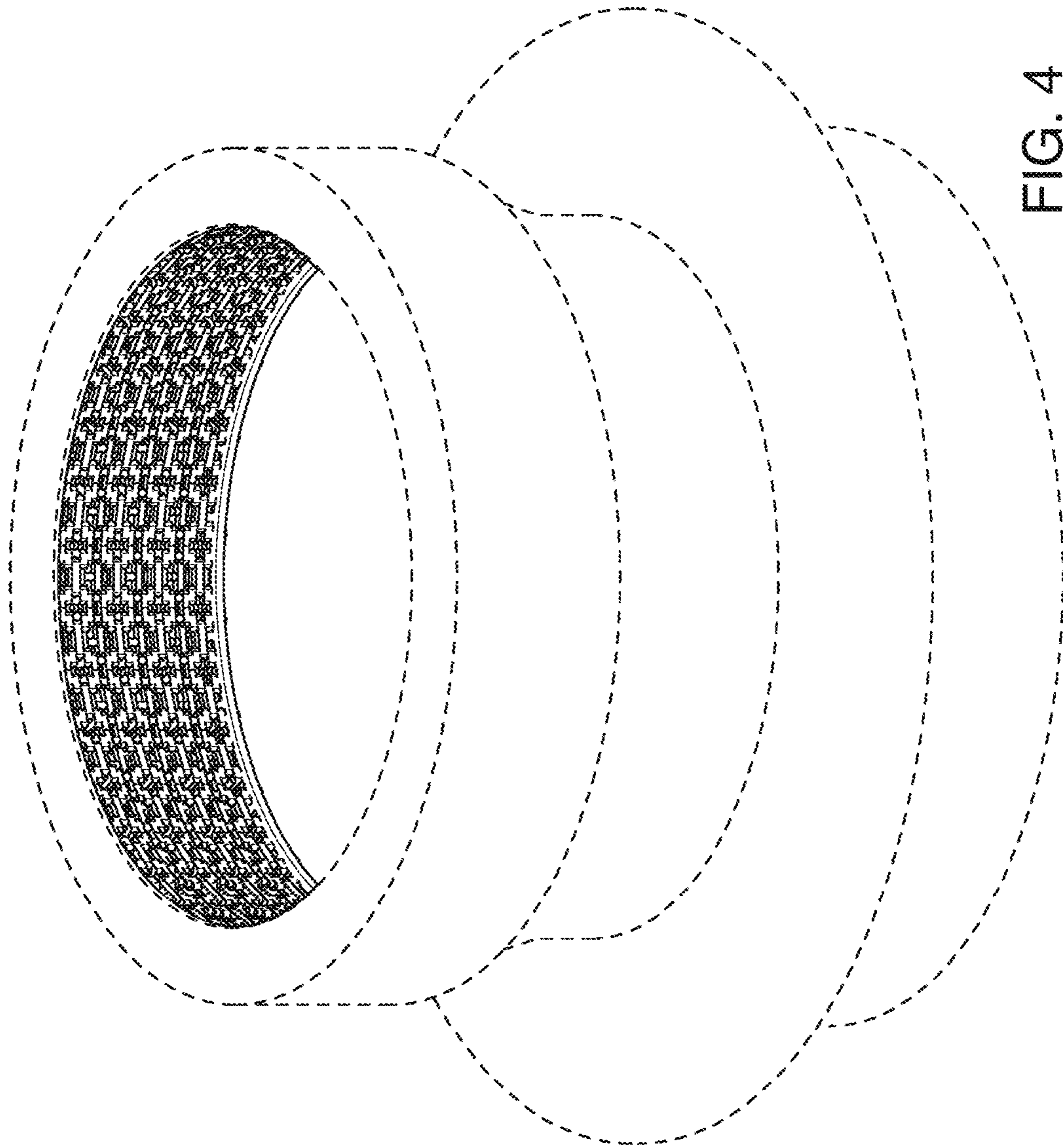


FIG. 4

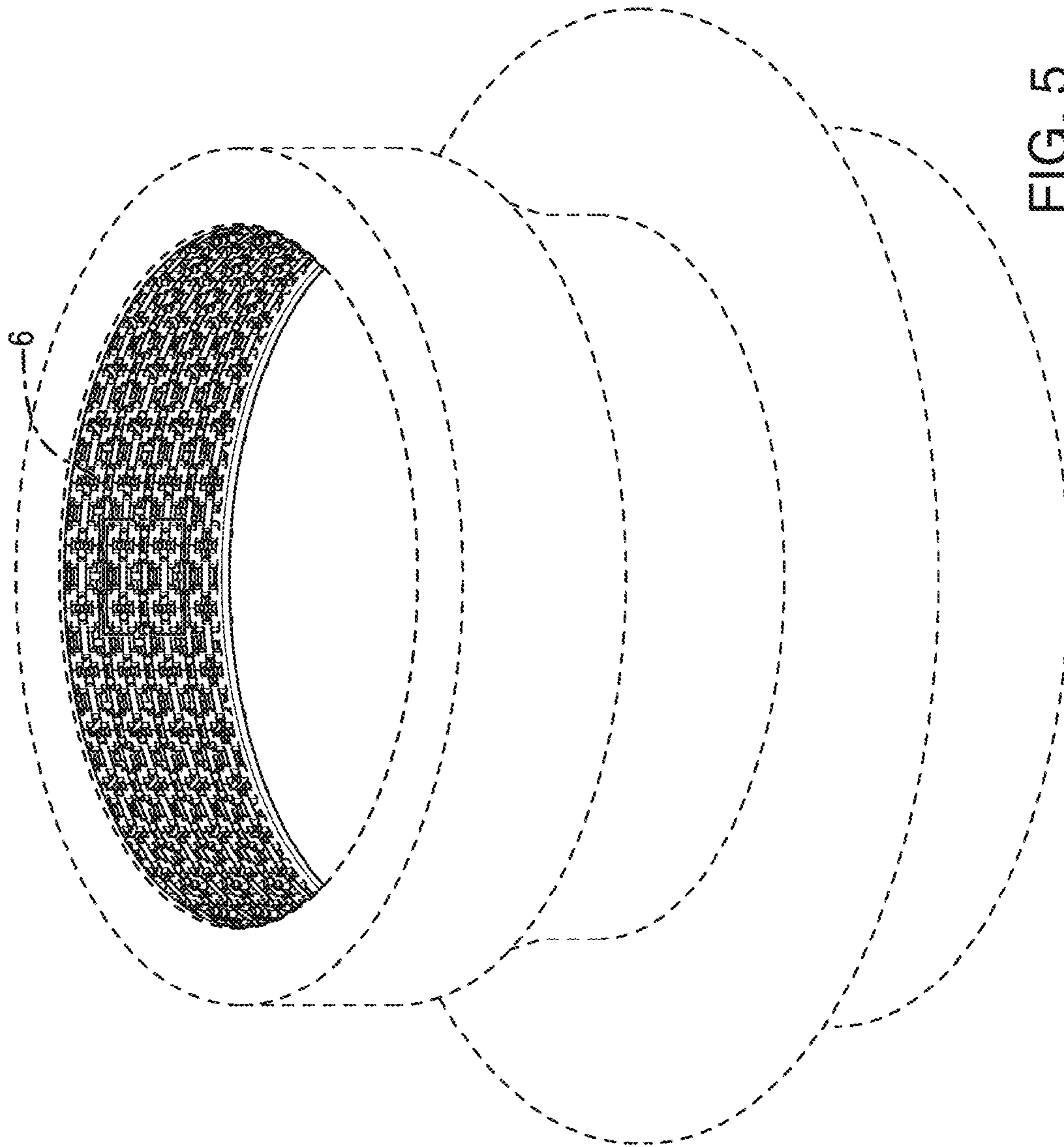


FIG. 5

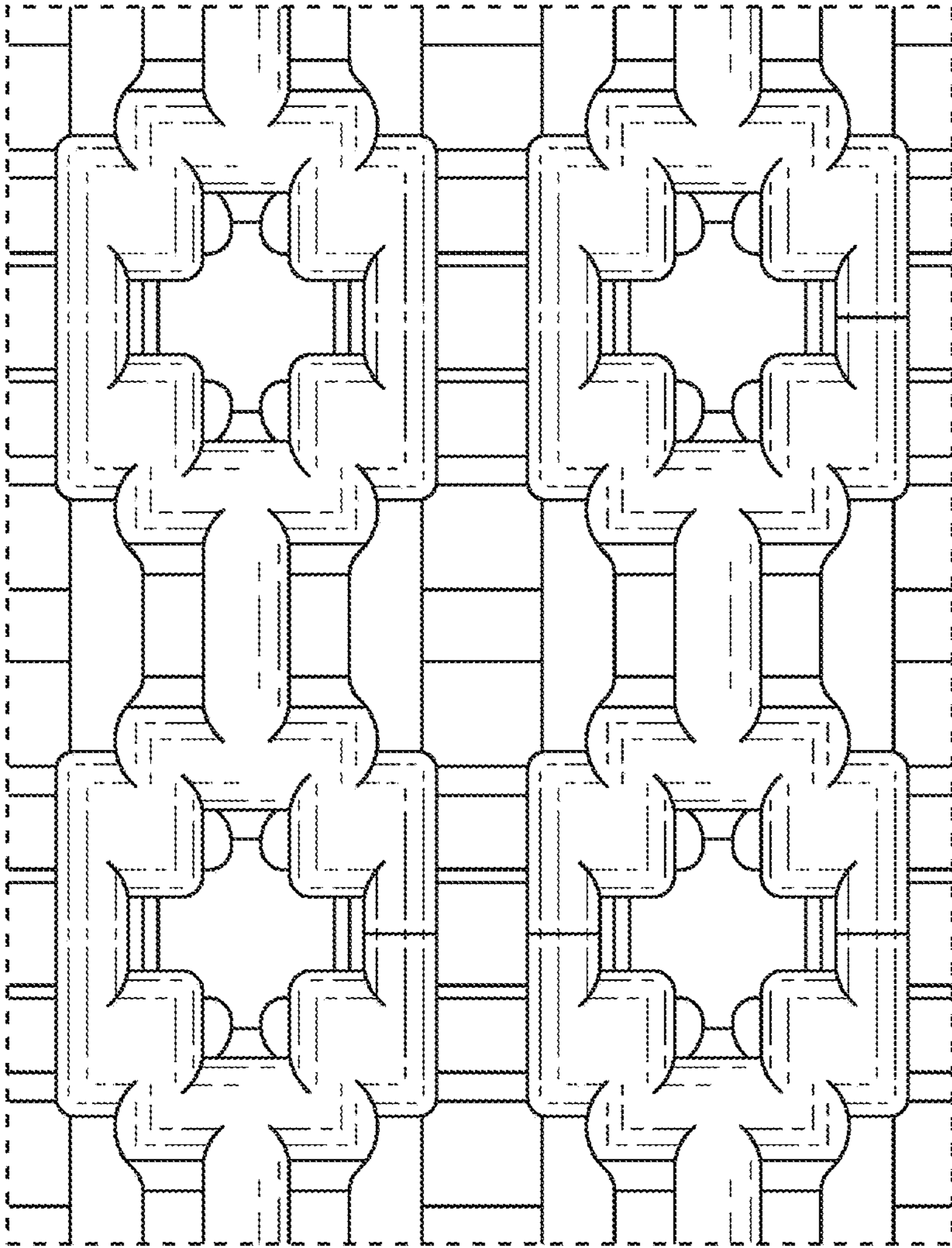


FIG. 6