



US00D829325S

(12) **United States Design Patent**
Frenkler et al.

(10) **Patent No.:** **US D829,325 S**
(45) **Date of Patent:** **** Sep. 25, 2018**

(54) **ENDOSCOPIC CAMERA**

FOREIGN PATENT DOCUMENTS

(71) Applicant: **J. MORITA MANUFACTURING CORPORATION**, Kyoto-shi, Kyoto (JP)

JP D1063198 3/2000
JP D1063199 3/2000

(72) Inventors: **Fritz Frenkler**, Munich (DE); **Anette Ponholzer**, Munich (DE); **Hiroshi Kaneko**, Munich (DE)

OTHER PUBLICATIONS

Apr. 4, 2016 Notice issued in Japanese Patent Application No. 2015-022379.

(Continued)

(73) Assignee: **J. MORITA MFG. CORP.**, Kyoto-shi (JP)

Primary Examiner — Ian Simmons
Assistant Examiner — Yolanda Robinson

(**) Term: **15 Years**

(74) *Attorney, Agent, or Firm* — Oliff PLC

(21) Appl. No.: **29/560,665**

(57) **CLAIM**

The ornamental design for an endoscopic camera, as shown and described.

(22) Filed: **Apr. 8, 2016**

DESCRIPTION

(30) **Foreign Application Priority Data**

Oct. 9, 2015 (JP) 2015-022379

(51) **LOC (11) Cl.** **24-02**

(52) **U.S. Cl.**
USPC **D24/138**

(58) **Field of Classification Search**
USPC D24/108, 117, 118, 133, 135, 137-138, D24/141, 222; 600/131, 145-147, 132, 600/138, 185-200; D8/70, 82-87
CPC . A61B 18/1445; A61B 18/1402; A61B 18/14; A61B 1/00; A61B 1/0052; A61B 1/00096
See application file for complete search history.

FIG. 1 is a front view of an endoscopic camera showing our new design;
FIG. 2 is a top view thereof;
FIG. 3 is a bottom view thereof;
FIG. 4 is a right view thereof;
FIG. 5 is a left view thereof;
FIG. 6 is a cross sectional view taken along line 6-6 of FIG. 3 thereof;
FIG. 7 is a cross sectional view taken along line 7-7 of FIG. 3 thereof;
FIG. 8 is a perspective view showing front, top and left thereof;
FIG. 9 is a perspective view showing rear, bottom and right thereof;
FIG. 10 is a perspective view showing front, bottom and left thereof;
FIG. 11 is an enlarged left view thereof; and,
FIG. 12 is a partial enlarged bottom view thereof.

The broken lines shown in the drawings represent portions of the endoscopic camera that form no part of the claimed design.

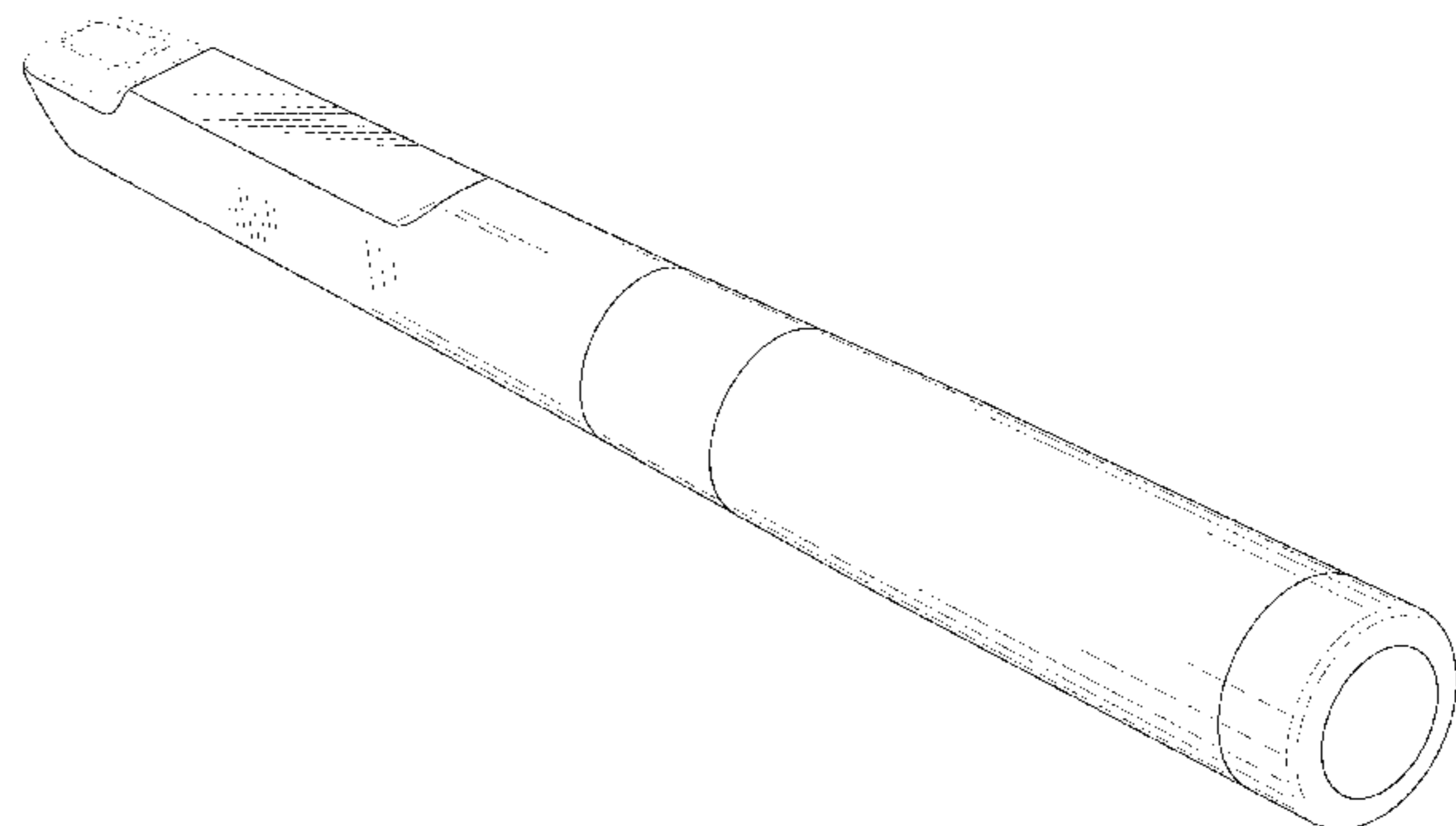
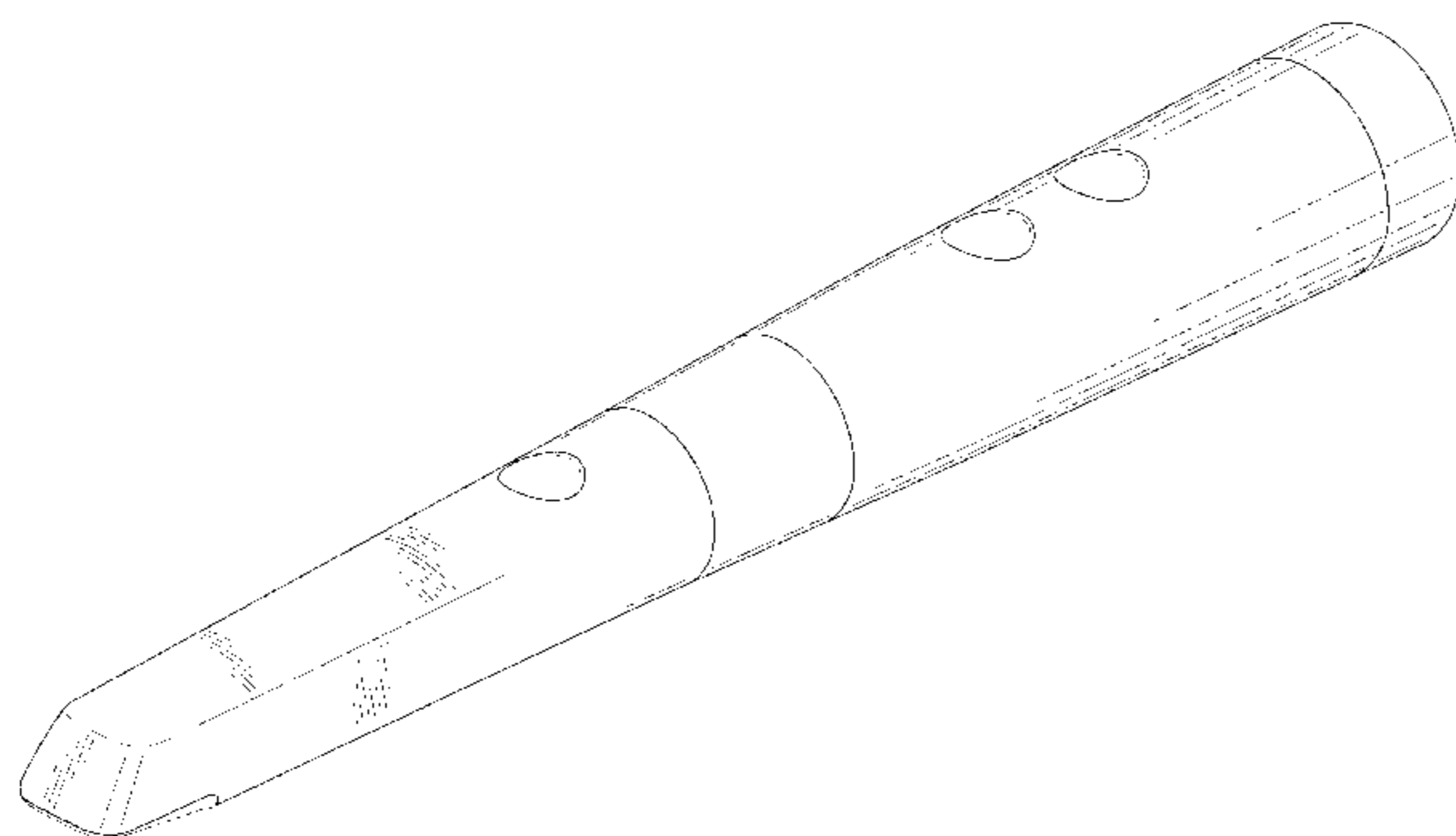
(56) **References Cited**

U.S. PATENT DOCUMENTS

D419,547 S * 1/2000 Nada D14/431
D467,660 S * 12/2002 Cianciosi D24/137
D468,429 S * 1/2003 Bareth D24/137
D547,450 S * 7/2007 Hurlstone D24/137

(Continued)

1 Claim, 11 Drawing Sheets



(56)

References Cited

U.S. PATENT DOCUMENTS

D558,345 S * 12/2007 Witt D24/152
D613,865 S * 4/2010 De Charentenay D24/137
D630,747 S * 1/2011 Shinohara D24/137
D634,843 S * 3/2011 Kim D24/133
D711,951 S * 8/2014 Mazuir D16/218
D714,442 S * 9/2014 Norichika D24/152
D714,443 S * 9/2014 Tanaka D24/152
D722,164 S * 2/2015 Graham, II D24/152
D744,309 S * 12/2015 Rose D8/14
D756,741 S * 5/2016 Redondi D8/70
2014/0313299 A1 * 10/2014 Gebhardt A61B 1/24
348/66
2016/0191690 A1 * 6/2016 Park H04M 1/72519
455/566

OTHER PUBLICATIONS

International Bureau of the WIPO, Design Publication, No. 10/2002,
(Nov. 29, 2002), DM/061 605, (Japan Patent Office, Design Department,
known document No. HH14685223).

* cited by examiner

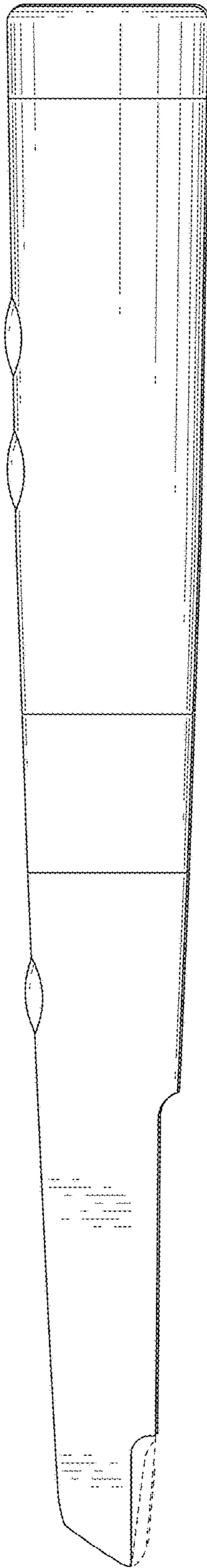


FIG.1

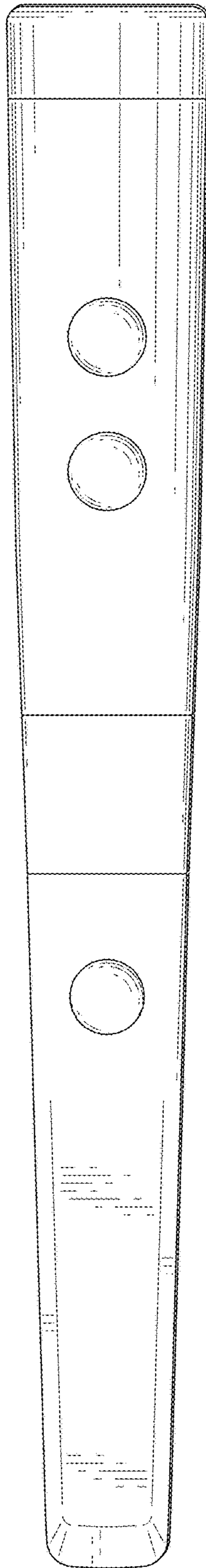


FIG.2

FIG.3

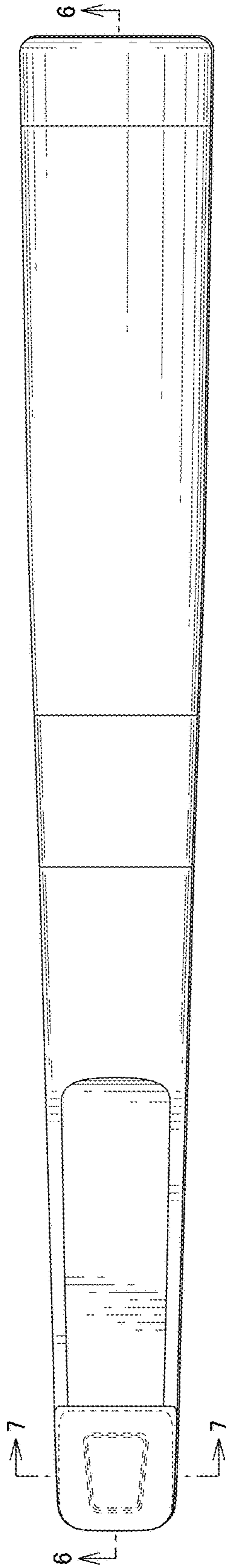


FIG.4

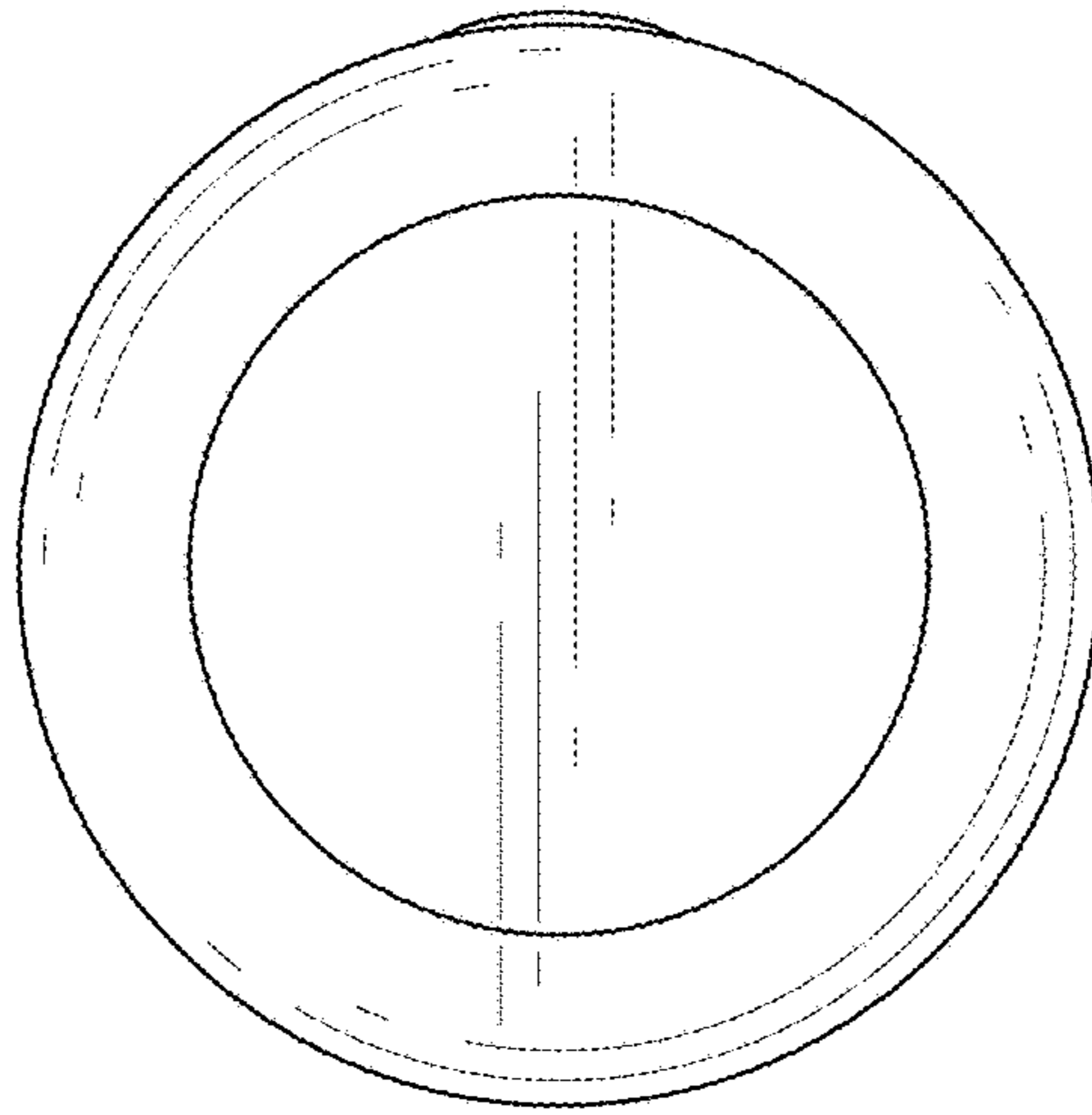
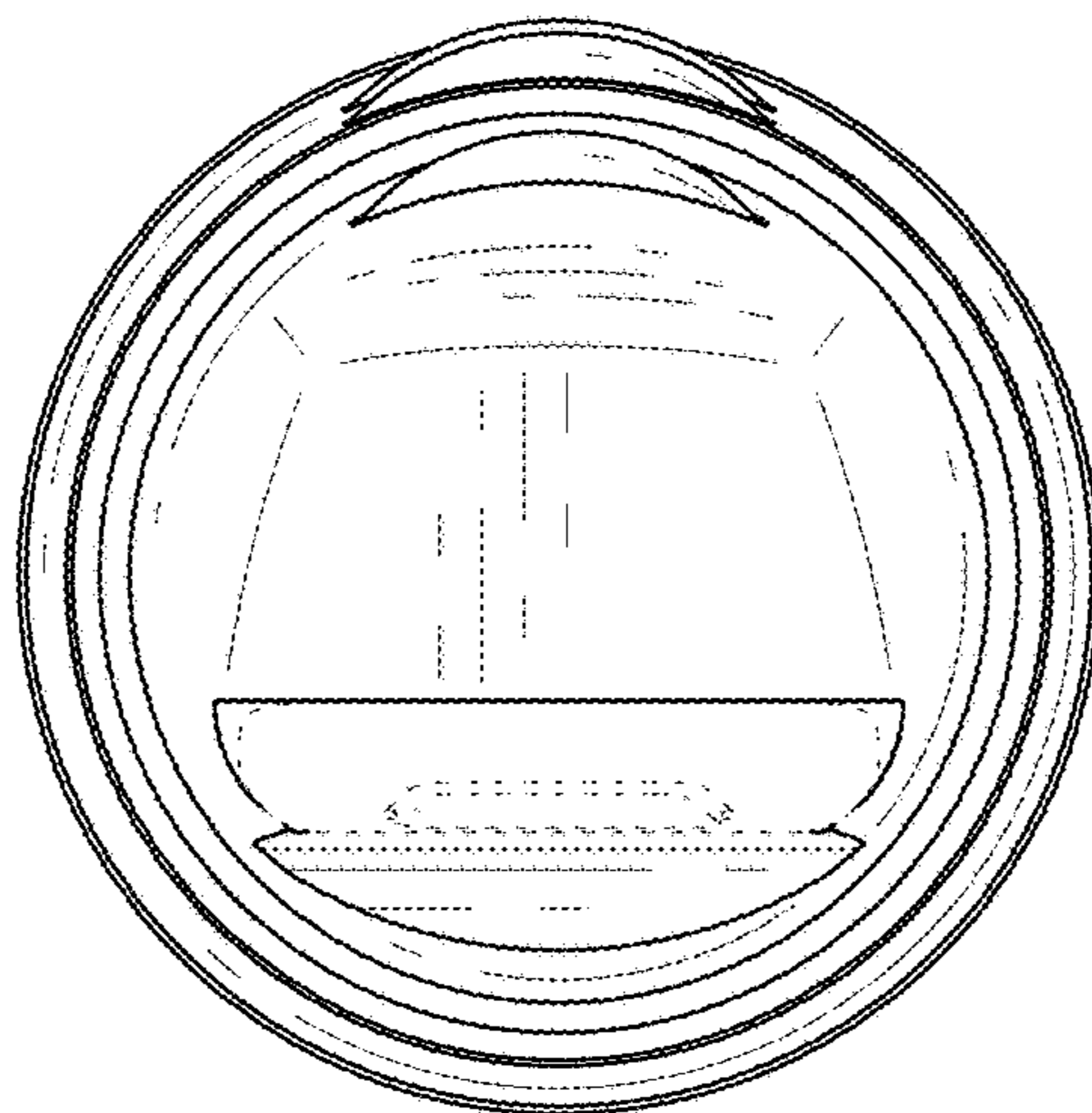


FIG.5



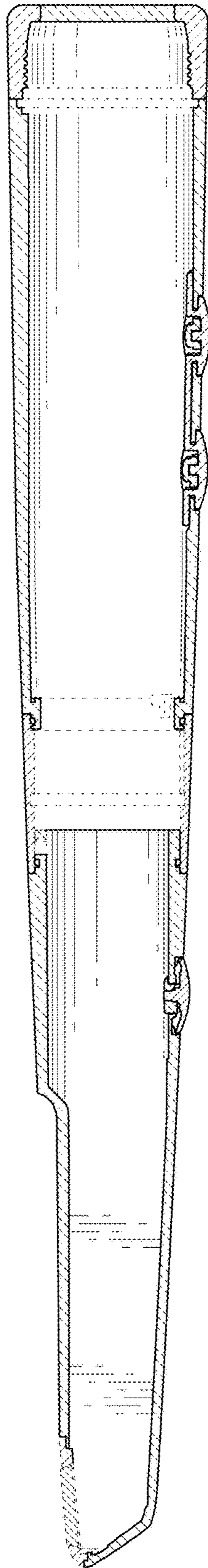
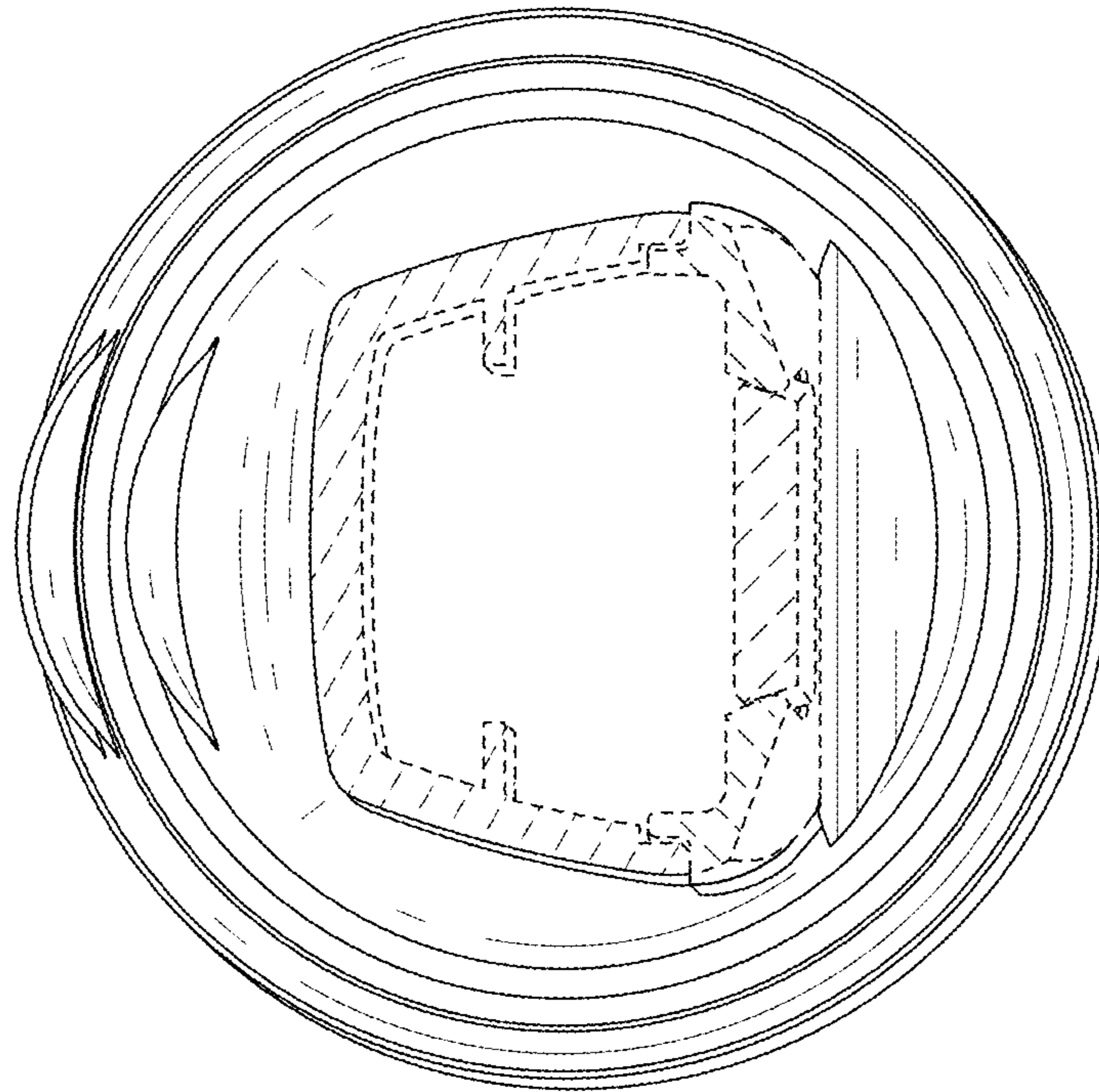


FIG.6

FIG. 7



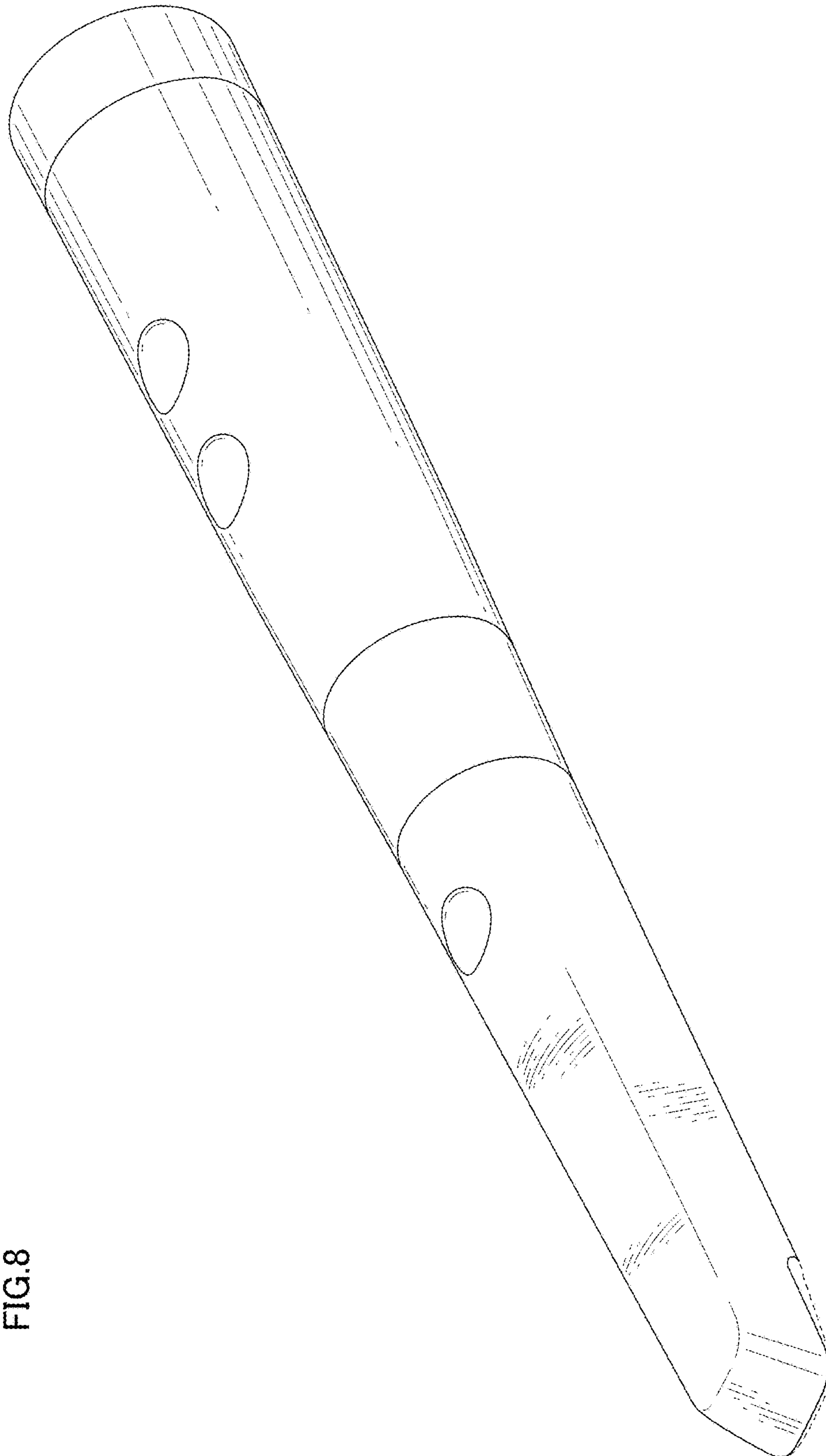
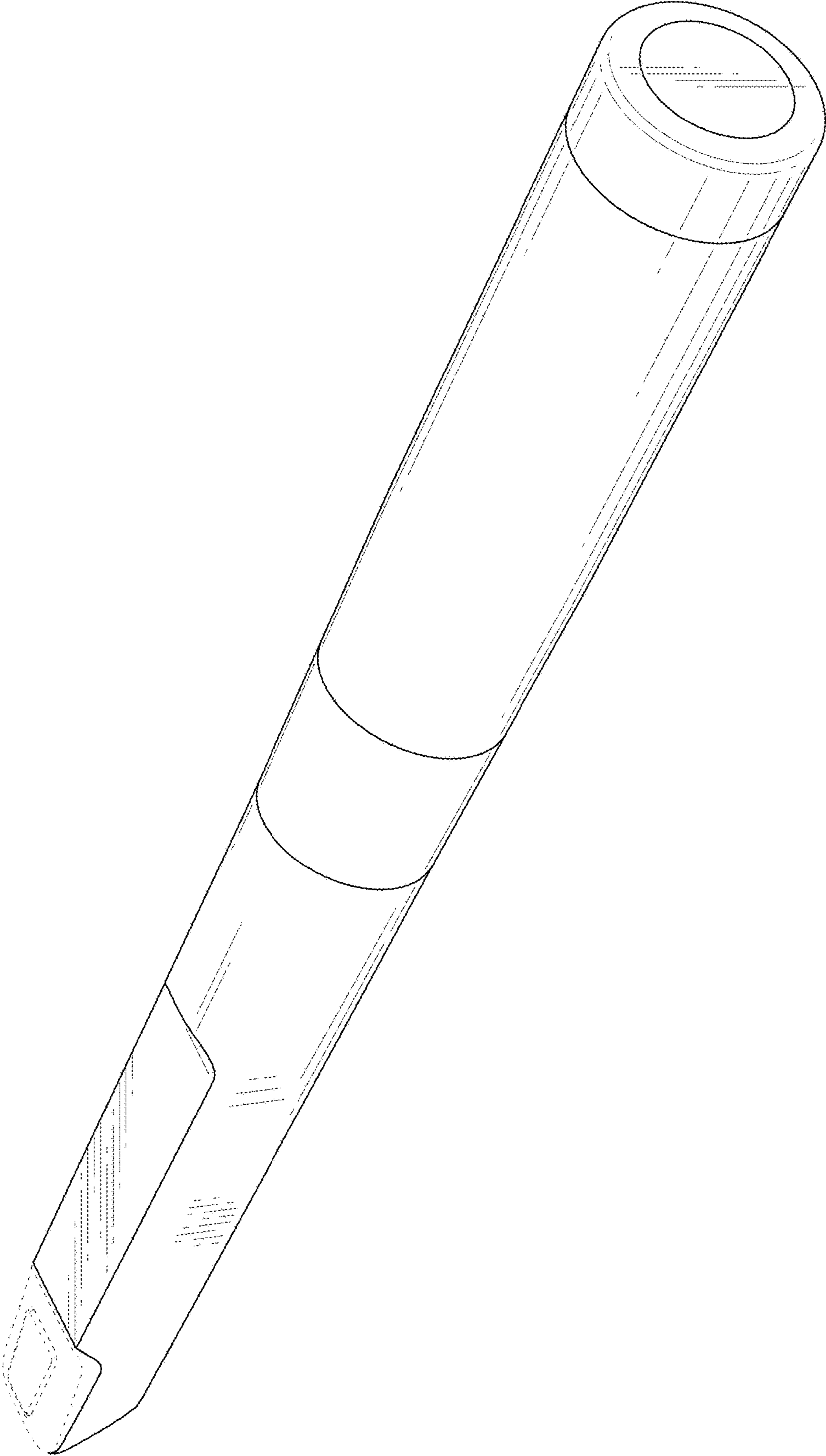


FIG.8

FIG.9



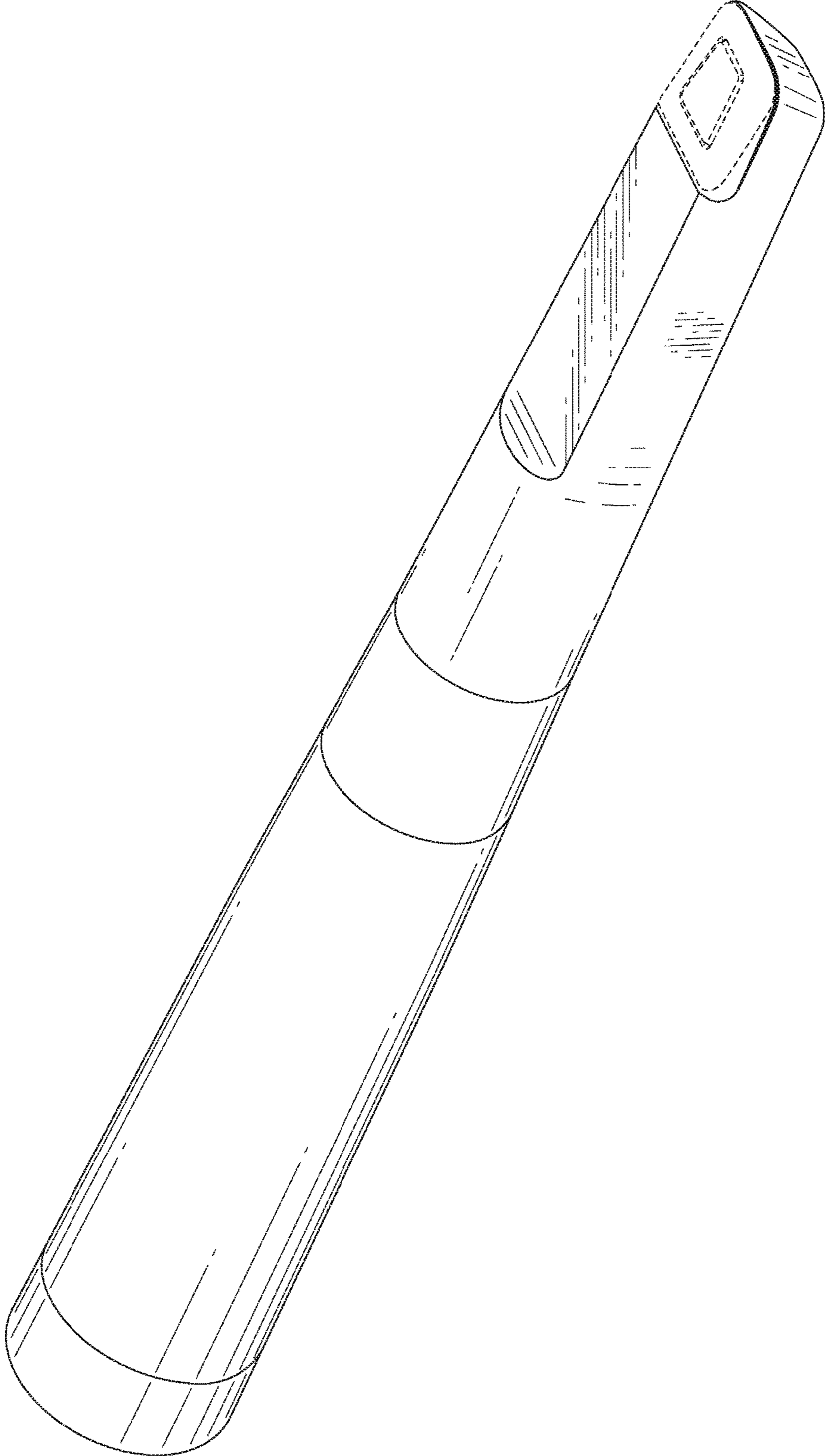


FIG.10

FIG.11

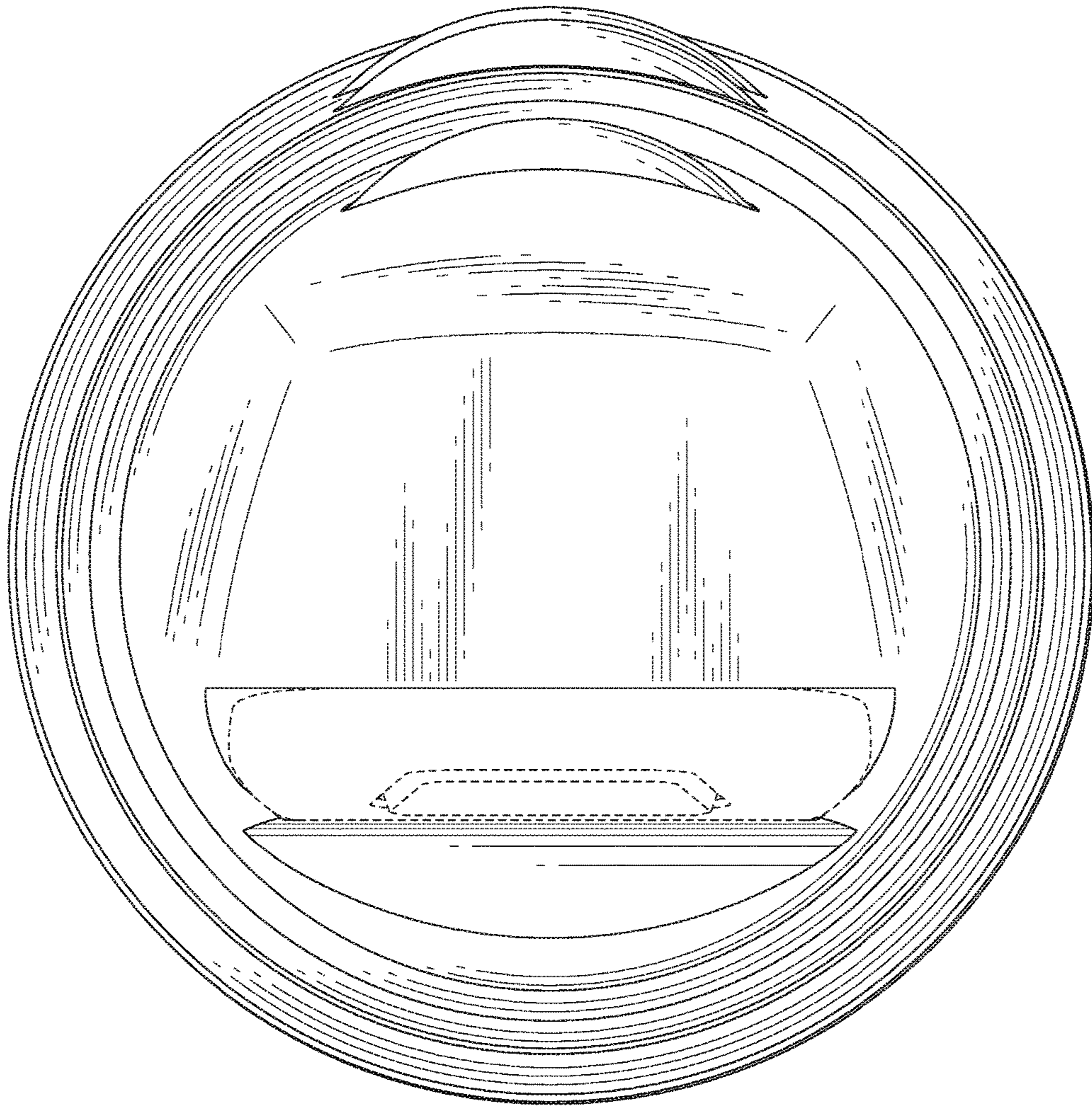


FIG.12

