



US00D829323S

(12) **United States Design Patent**
Hunt

(10) **Patent No.:** **US D829,323 S**

(45) **Date of Patent:** **** Sep. 25, 2018**

(54) **INCONTINENCE DEVICE**

(71) Applicant: **Rhonda M. Hunt**, St John's (CA)

(72) Inventor: **Rhonda M. Hunt**, St John's (CA)

(**) Term: **15 Years**

(21) Appl. No.: **29/613,504**

(22) Filed: **Aug. 10, 2017**

Related U.S. Application Data

(63) Continuation of application No. 14/096,994, filed on Dec. 4, 2013.

(51) **LOC (11) Cl.** **24-02**

(52) **U.S. Cl.**
USPC **D24/122**

(58) **Field of Classification Search**
USPC D24/121-123, 117, 224, 200, 215;
D23/276, 295, 302, 274, 309, 200;
14/450-460, 144.1-144.4, DIG. 5;
600/573, 574; 604/329, 317, 318, 334;
D27/125
CPC A61H 19/00; A61G 9/00; A61G 9/006;
A61G 9/003

See application file for complete search history.

(56) **References Cited**

U.S. PATENT DOCUMENTS

2,873,740	A	2/1959	Wainwright
4,601,716	A	7/1986	Smith
4,790,835	A	12/1988	Elias
5,074,853	A	12/1991	Bryant
5,380,312	A	1/1995	Goulter
5,643,235	A	7/1997	Figuerido
5,746,222	A	5/1998	Simon et al.
6,336,919	B1	1/2002	Davis et al.

6,336,920	B1 *	1/2002	Temple	A61F 5/44	604/339
6,569,135	B1	5/2003	Mula			
7,360,544	B2 *	4/2008	Levien	A61F 2/0009	128/897
7,476,219	B2 *	1/2009	Ben Youssef	A61F 5/455	128/830
D589,610	S *	3/2009	Dubose, Jr.	D24/124	
D613,855	S	4/2010	Pena			
7,691,092	B2 *	4/2010	Corcos	A61B 5/208	4/144.1
7,815,619	B2 *	10/2010	Miskie	A61F 5/453	604/347
7,947,024	B2 *	5/2011	Ramage	A61J 19/00	604/317
8,369,953	B2 *	2/2013	Peddicord	A61H 19/00	607/104
D737,969	S *	9/2015	Leyendecker	D24/141	
D760,899	S *	7/2016	Leyendecker	D24/141	
D766,427	S *	9/2016	Kurov	D24/121	
D767,757	S *	9/2016	Hole	D24/121	
D791,934	S *	7/2017	Lehrman	D24/121	

* cited by examiner

Primary Examiner — David Muller

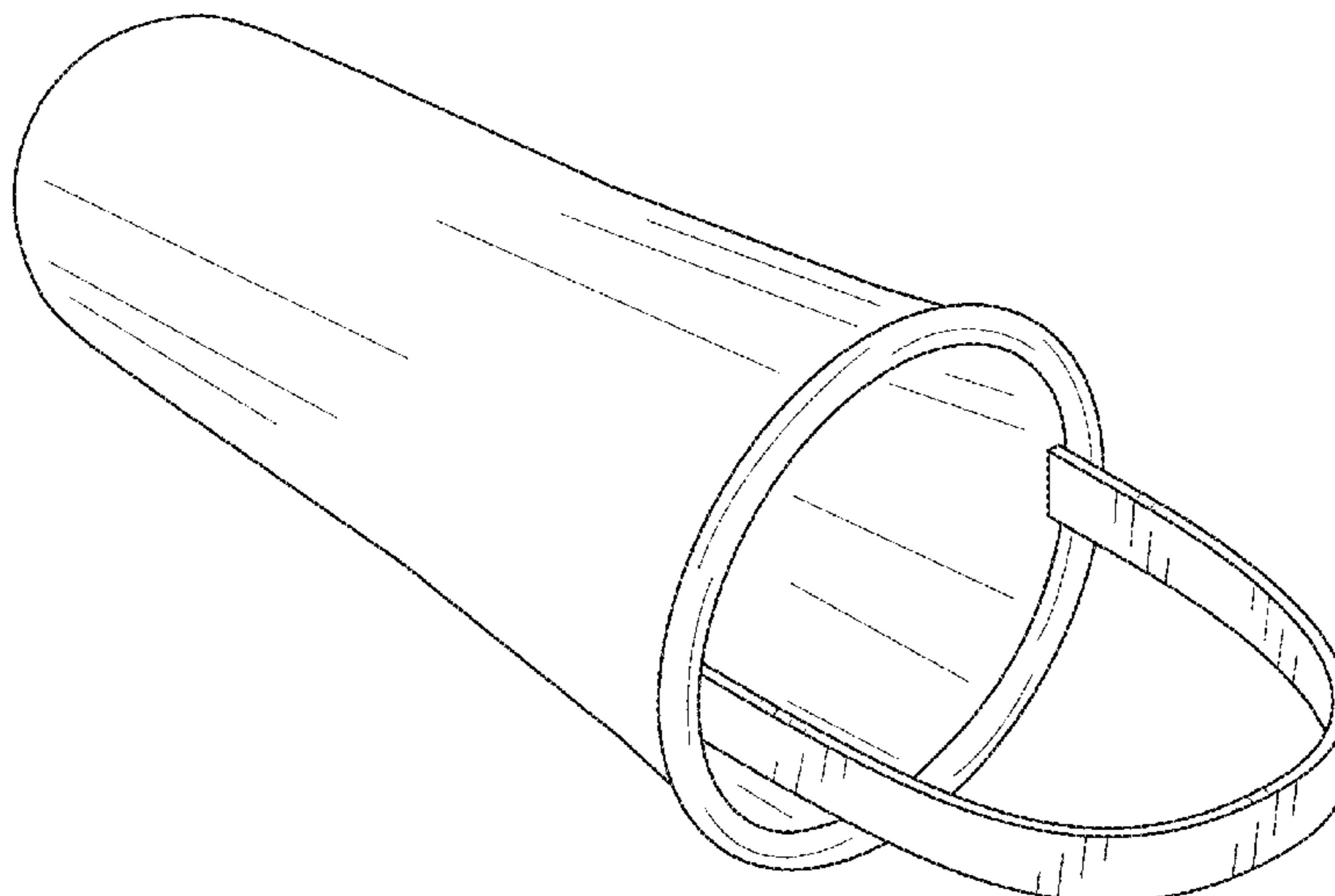
(57) **CLAIM**

The ornamental design for an incontinence device, as shown and described.

DESCRIPTION

FIG. 1 is a perspective top front left view of an incontinence device, showing my new design;
FIG. 2 is a front elevation view thereof;
FIG. 3 is a back elevation view thereof,
FIG. 4 is a left elevation view thereof, with a right elevation view being identical; and,
FIG. 5 is a top plan view thereof, with a bottom plan view being identical.

1 Claim, 5 Drawing Sheets



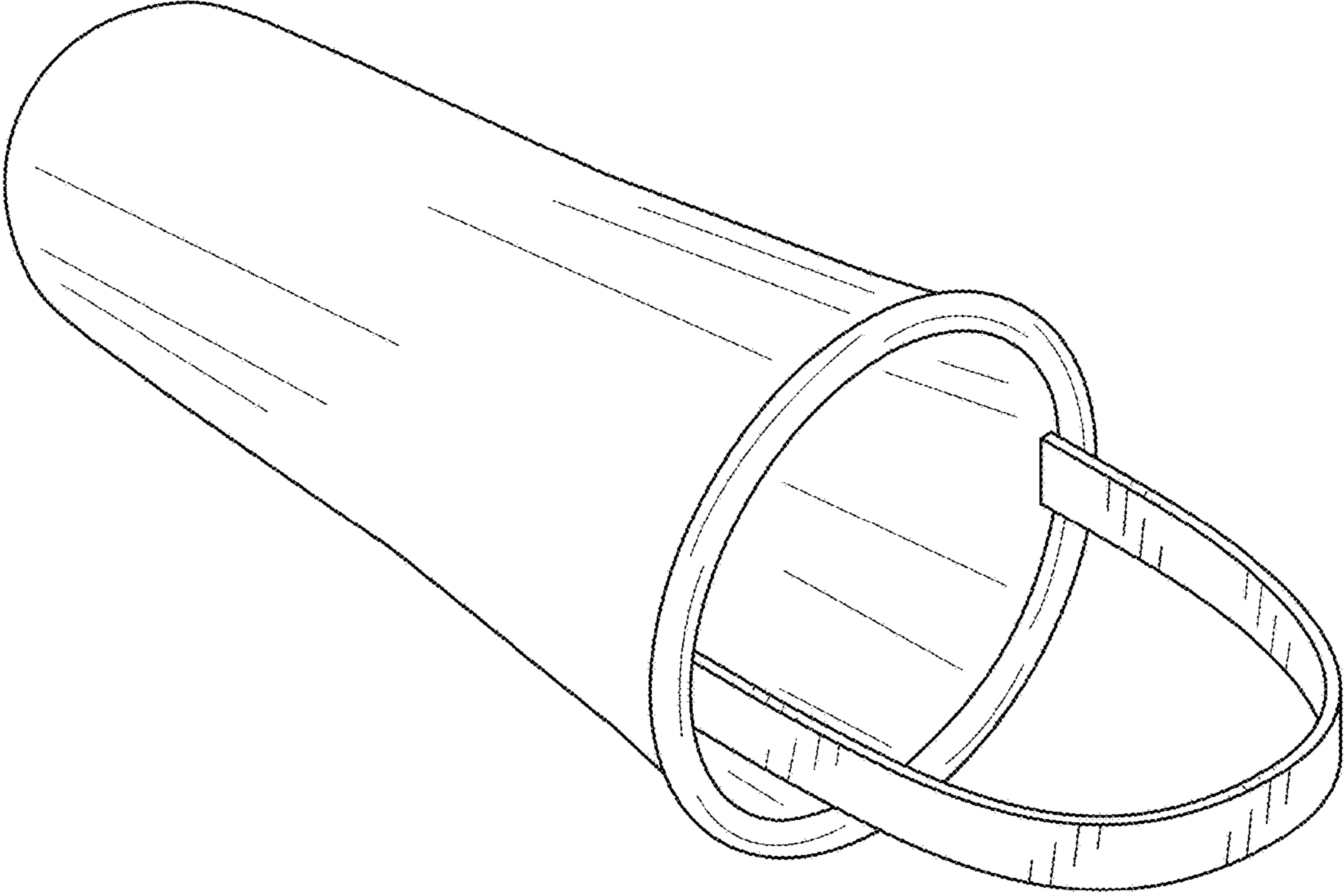


FIG. 1

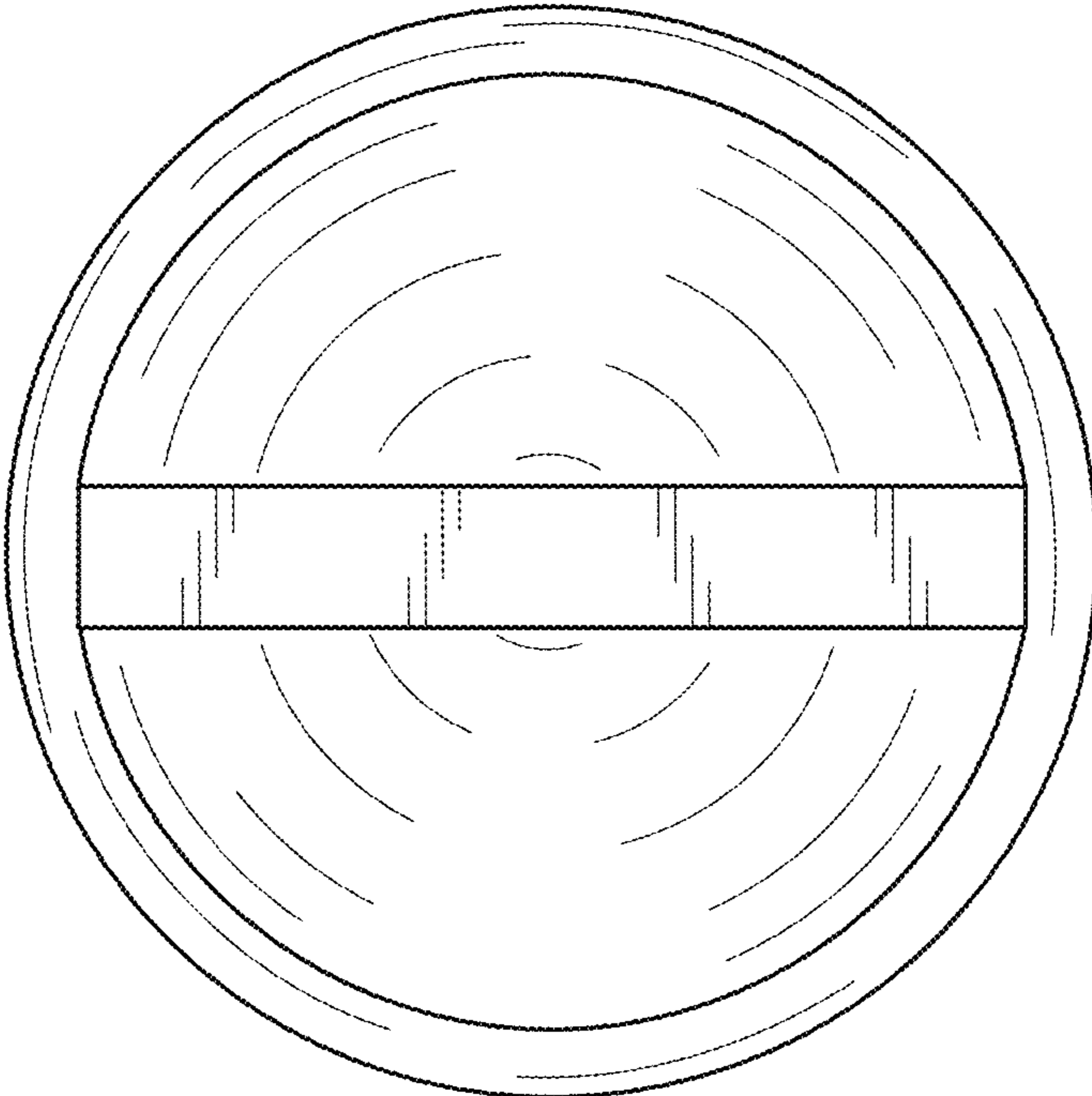


FIG. 2

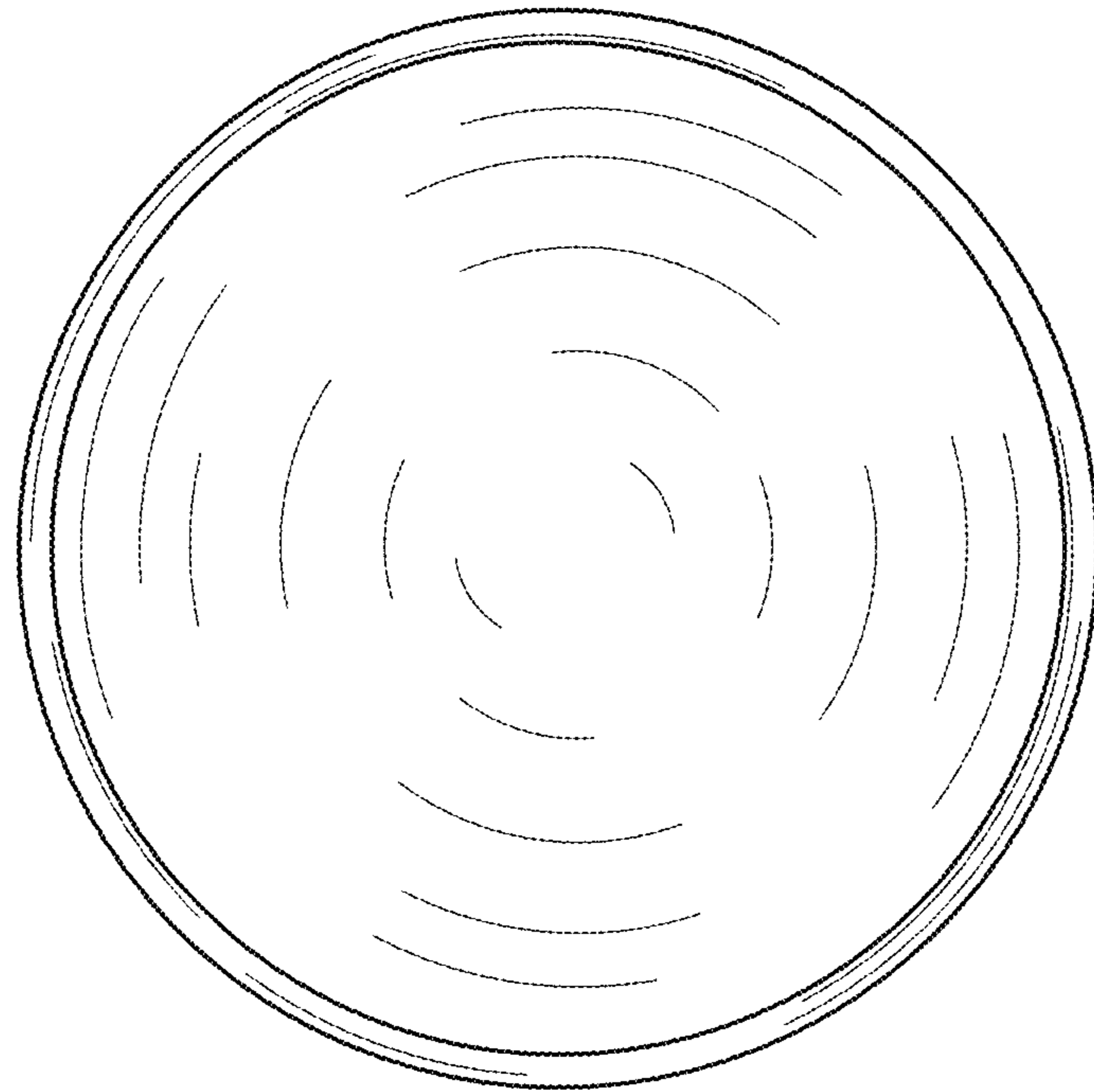


FIG. 3

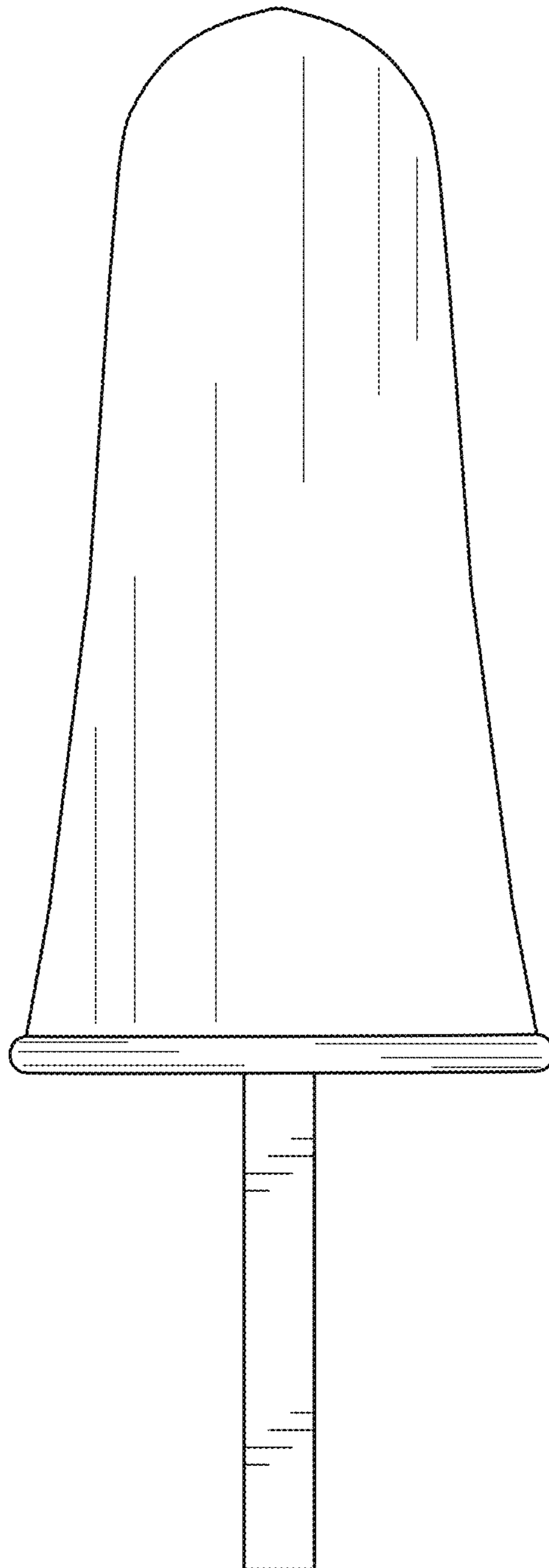


FIG. 4

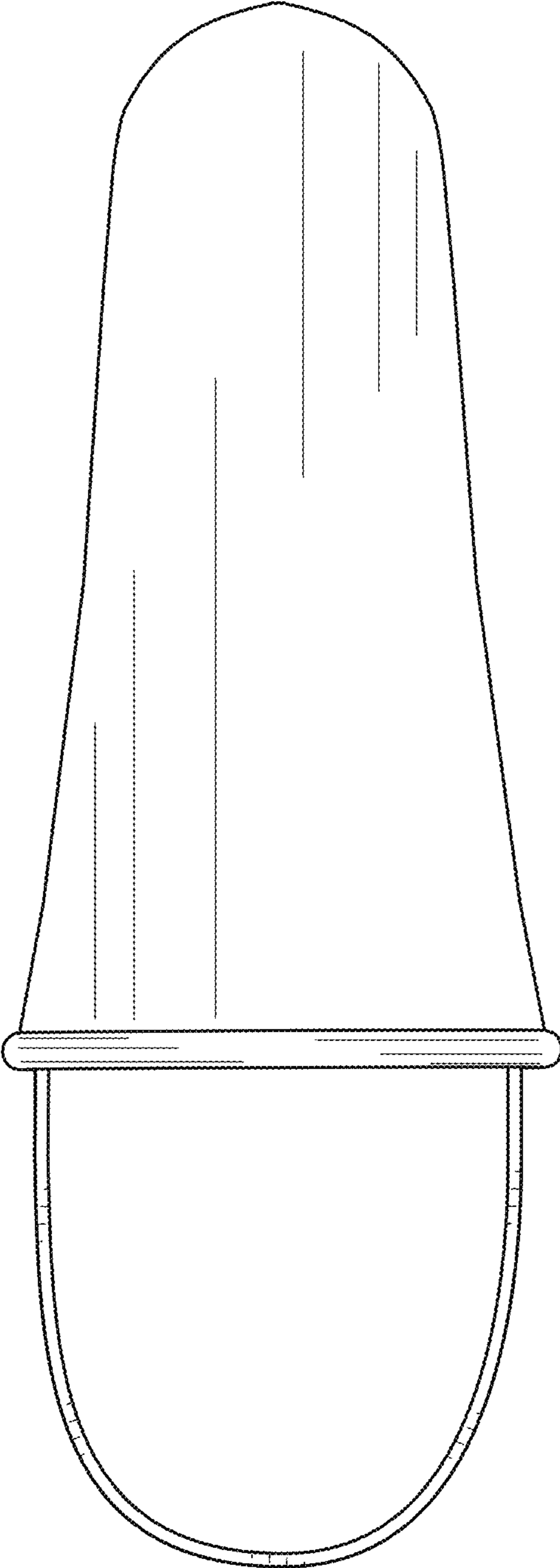


FIG. 5