



US00D829319S

(12) **United States Design Patent** (10) **Patent No.:** **US D829,319 S**  
**Chen** (45) **Date of Patent:** **\*\* Sep. 25, 2018**

(54) **TOWER FAN**  
(71) Applicant: **GD MIDEA ENVIRONMENT APPLIANCES MFG CO., LTD.,**  
Guangdong (CN)  
(72) Inventor: **Wei Chen,** Guangdong (CN)  
(73) Assignee: **MIDEA ENVIRONMENT APPLIANCES MFG. CO., LTD.,**  
Zhongshan, Guangdong (CN)

D580,541 S \* 11/2008 Bucher ..... D23/378  
D581,038 S \* 11/2008 Boswell ..... D23/378  
D588,251 S \* 3/2009 Spiegel ..... D23/364  
D588,686 S \* 3/2009 Spiegel ..... D23/364  
D634,836 S \* 3/2011 Lewis ..... D23/378  
D757,922 S \* 5/2016 Tang ..... D23/364  
D799,671 S \* 10/2017 Deffrennes ..... D23/378  
D809,119 S \* 1/2018 Ho ..... D23/378  
D814,000 S \* 3/2018 Qiao ..... D23/333  
D814,012 S \* 3/2018 Spiegel ..... D23/378

\* cited by examiner

*Primary Examiner* — Janice Hallmark  
(74) *Attorney, Agent, or Firm* — Morgan, Lewis & Bockius LLP

(\*\*) Term: **15 Years**  
(21) Appl. No.: **29/635,116**  
(22) Filed: **Jan. 29, 2018**

(57) **CLAIM**

The ornamental design for a tower fan, as shown and described.

(30) **Foreign Application Priority Data**

**DESCRIPTION**

Aug. 18, 2017 (CN) ..... 2017 3 0381921

(51) **LOC (11) Cl.** ..... **23-04**  
(52) **U.S. Cl.**  
USPC ..... **D23/378**

(58) **Field of Classification Search**  
USPC ..... D23/370, 378, 411, 412, 356, 358, 359,  
D23/363, 328, 332, 335, 342  
CPC .... F04D 25/088; F04D 29/005; F04D 29/601;  
F04D 29/324; F21V 33/0096; F21V  
33/0092; F24F 13/078  
See application file for complete search history.

FIG. 1 is a front perspective view of a tower fan showing my new design;  
FIG. 2 is a front elevational view of the tower fan shown in FIG. 1;  
FIG. 3 is a rear elevational view of the tower fan shown in FIG. 1;  
FIG. 4 is a left-side elevational view of the tower fan shown in FIG. 1;  
FIG. 5 is a right-side elevational view of the tower fan shown in FIG. 1;  
FIG. 6 is a top plan view of the tower fan shown FIG. 1; and,  
FIG. 7 is a bottom plan view of the tower fan shown in FIG. 1.

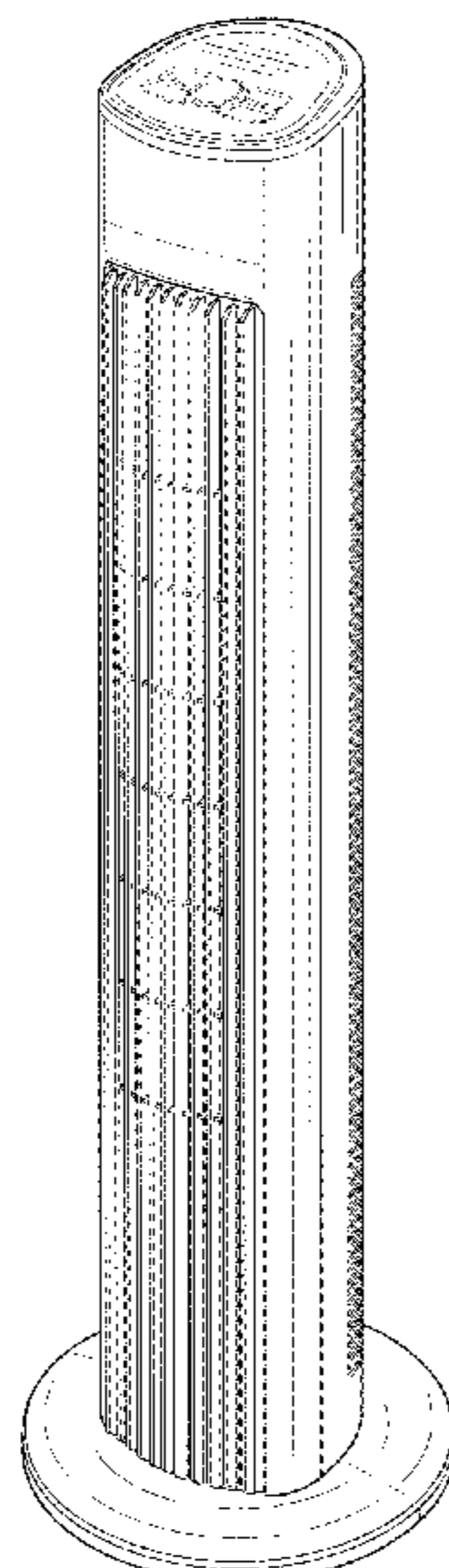
(56) **References Cited**

**U.S. PATENT DOCUMENTS**

D468,414 S \* 1/2003 Fok ..... D23/328  
D479,743 S \* 9/2003 Fok ..... D23/378  
D483,466 S \* 12/2003 Shapiro ..... D23/378  
D525,691 S \* 7/2006 Russak ..... D23/364  
7,118,323 B2 \* 10/2006 Iyer ..... F04D 17/04  
415/53.1  
D574,476 S \* 8/2008 Spiegel ..... D23/364

The broken lines immediately adjacent the shaded areas represent the bounds of the claimed design while all other broken lines are directed to environment and are for illustrative purposes only; the broken lines form no part of the claimed design.

**1 Claim, 4 Drawing Sheets**



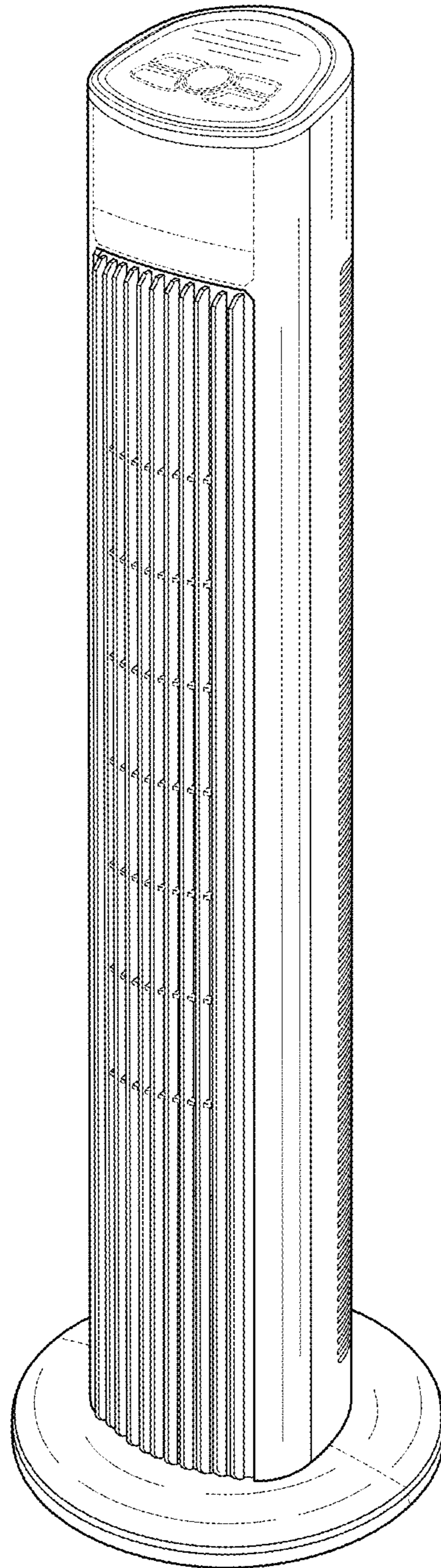


FIG. 1

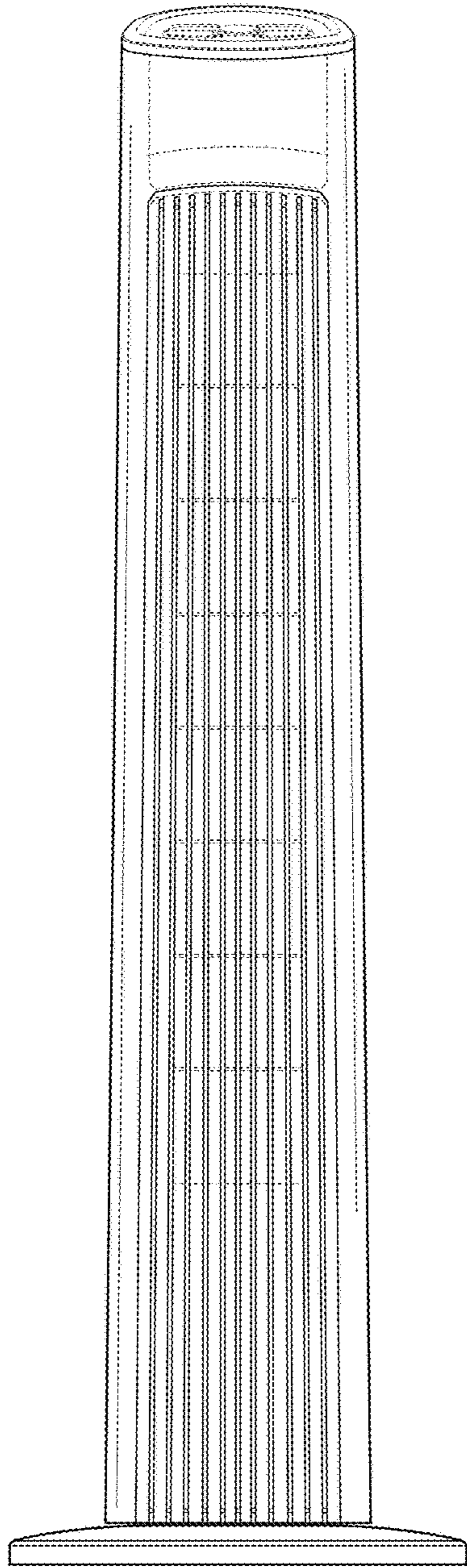


FIG. 2

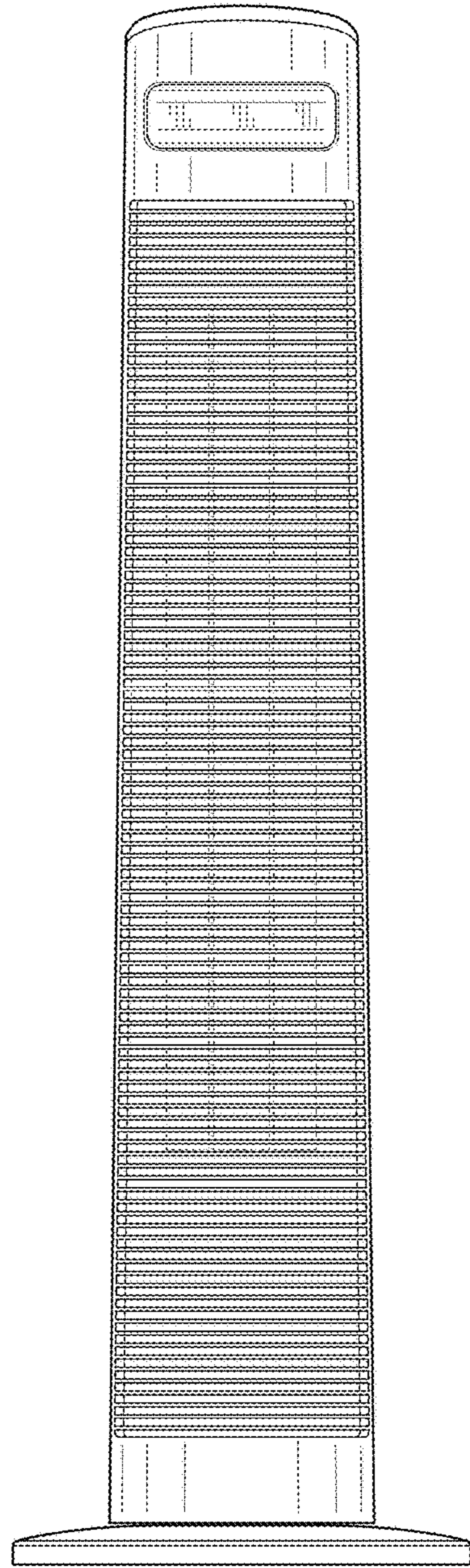


FIG. 3

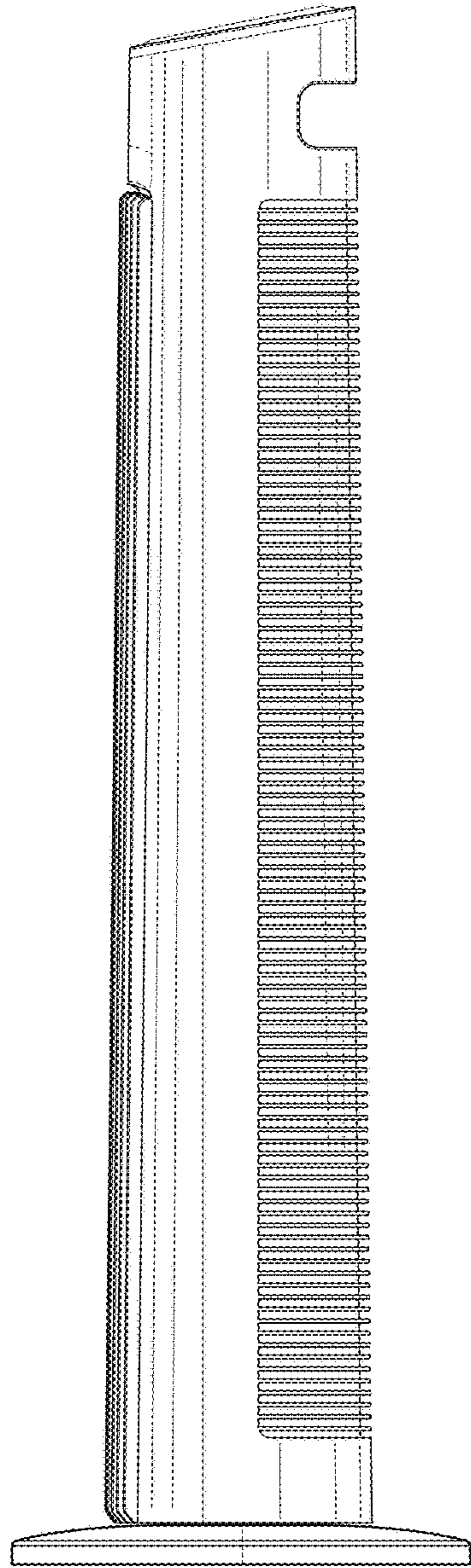


FIG. 4

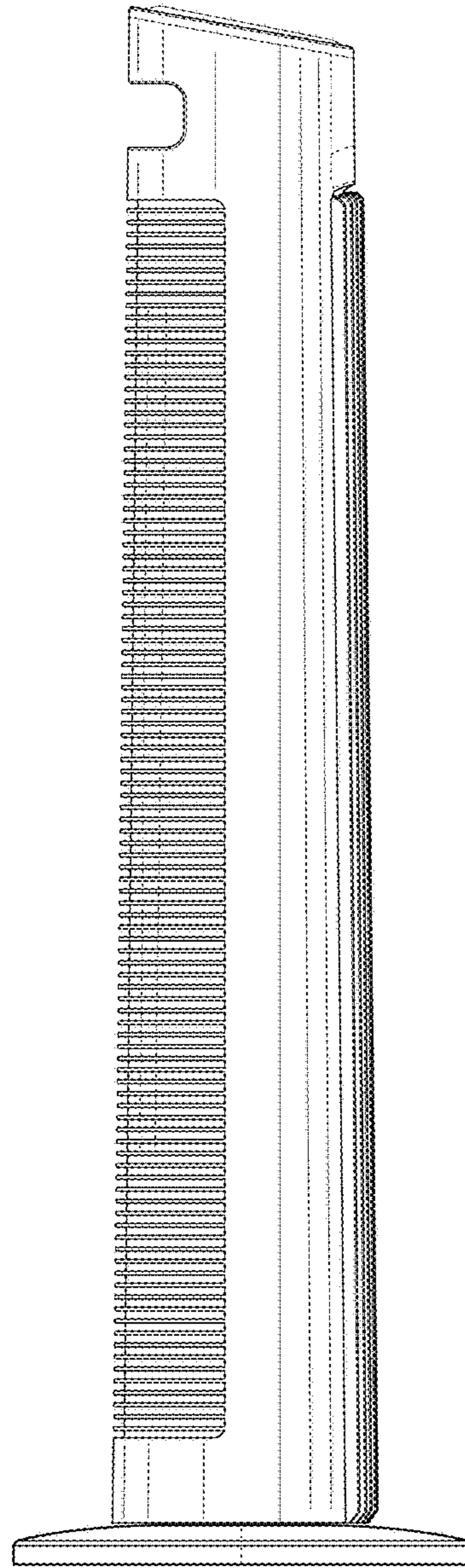


FIG. 5

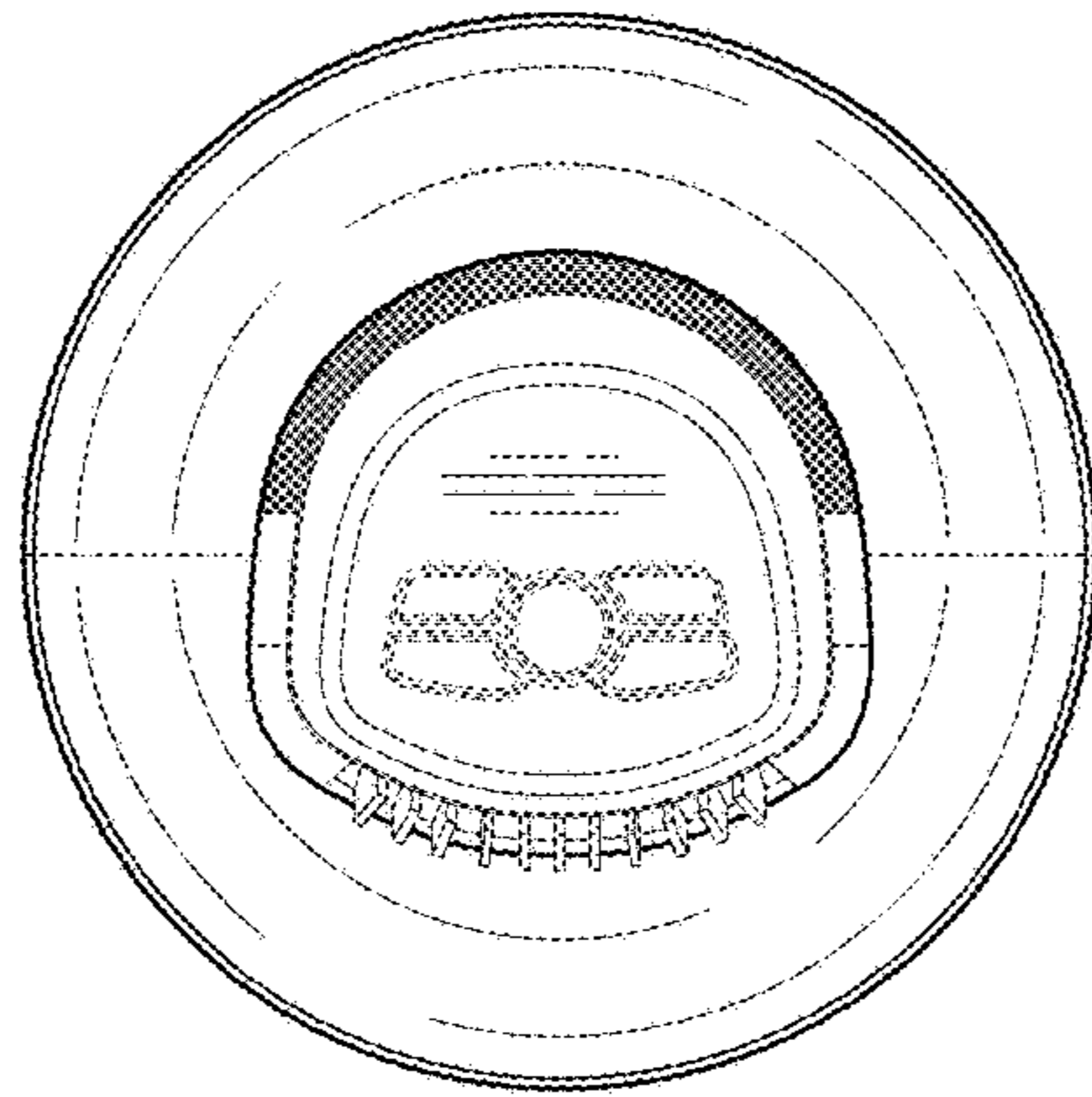


FIG. 6

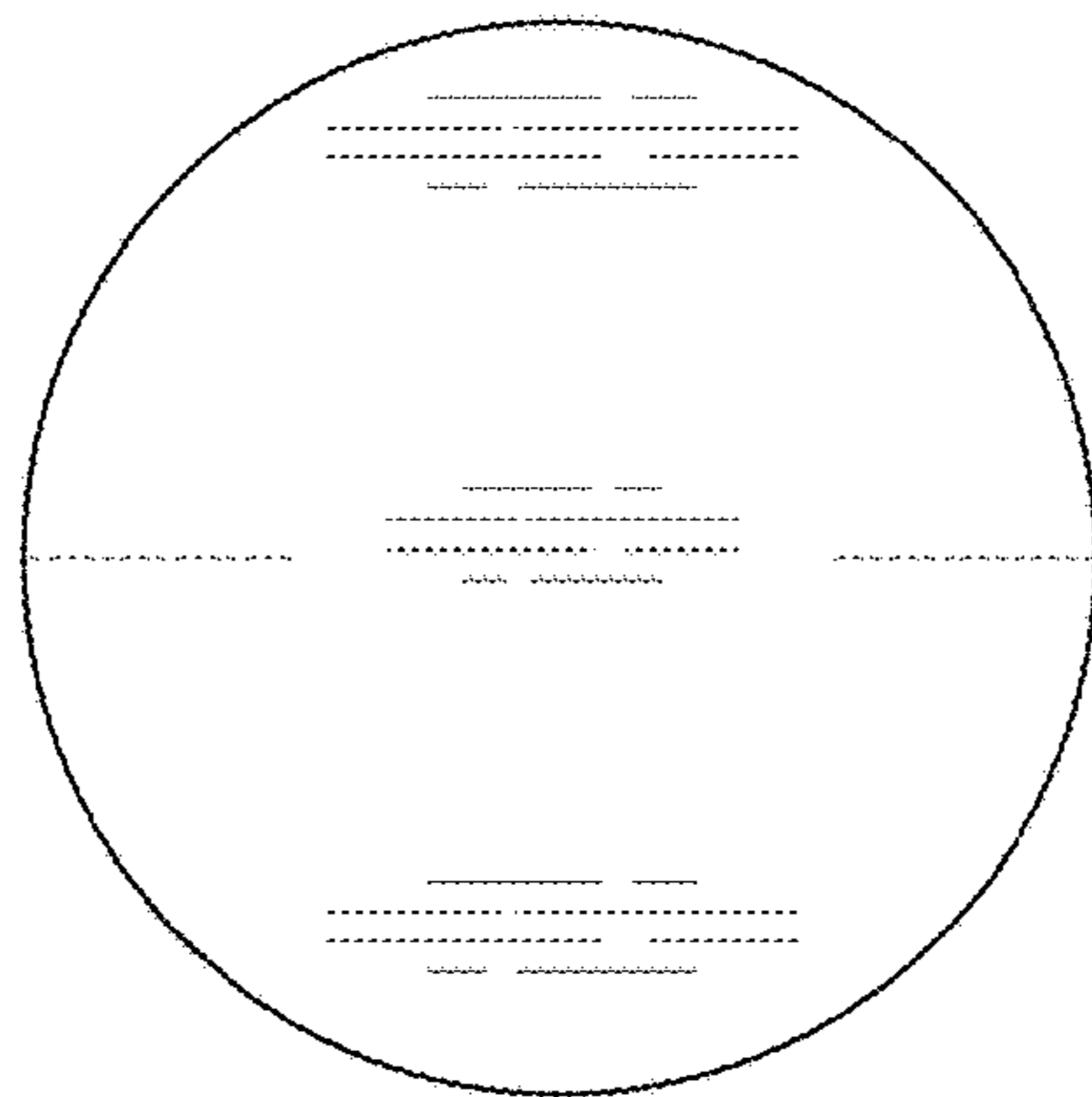


FIG. 7