



US00D829318S

(12) **United States Design Patent** (10) **Patent No.:** **US D829,318 S**
Wu (45) **Date of Patent:** **** Sep. 25, 2018**

(54) **FRAGRANCE DISPENSER**

D625,797 S * 10/2010 Poves D23/366
D646,771 S * 10/2011 Boadella Esteve D23/366
D648,018 S * 11/2011 Sordo D23/366
2012/0187217 A1* 7/2012 Maget A61L 9/12
239/326

(71) Applicant: **Kraco Enterprises, LLC**, Compton,
CA (US)

(72) Inventor: **Johnny C. Wu**, Los Angeles, CA (US)

* cited by examiner

(**) Term: **15 Years**

Primary Examiner — Lakiya G Rogers

Assistant Examiner — John A Voytek

(21) Appl. No.: **29/602,734**

(74) *Attorney, Agent, or Firm* — Lathrop Gage L.L.P.

(22) Filed: **May 3, 2017**

(57) **CLAIM**

(51) **LOC (11) Cl.** **28-99**

The ornamental design for a fragrance dispenser, as shown and described.

(52) **U.S. Cl.**

USPC **D23/366**

DESCRIPTION

(58) **Field of Classification Search**

USPC D23/355–370, 386–388; D11/11, 86, 87,
D11/101, 181, 208, 212, 228; D8/356,
D8/396; D2/853, 935, 946
CPC ... A61L 9/03; A61L 9/12; A61F 9/026; B01D
49/0004; G09F 19/08

See application file for complete search history.

FIG. 1 is a top left isometric view of my new fragrance dispenser design;
FIG. 2 is a bottom right isometric view thereof;
FIG. 3 is a front elevation view thereof;
FIG. 4 is a rear elevation view thereof;
FIG. 5 is a right-side elevation view thereof;
FIG. 6 is a left-side elevation view thereof;
FIG. 7 is a top view thereof; and,
FIG. 8 is a bottom view thereof.

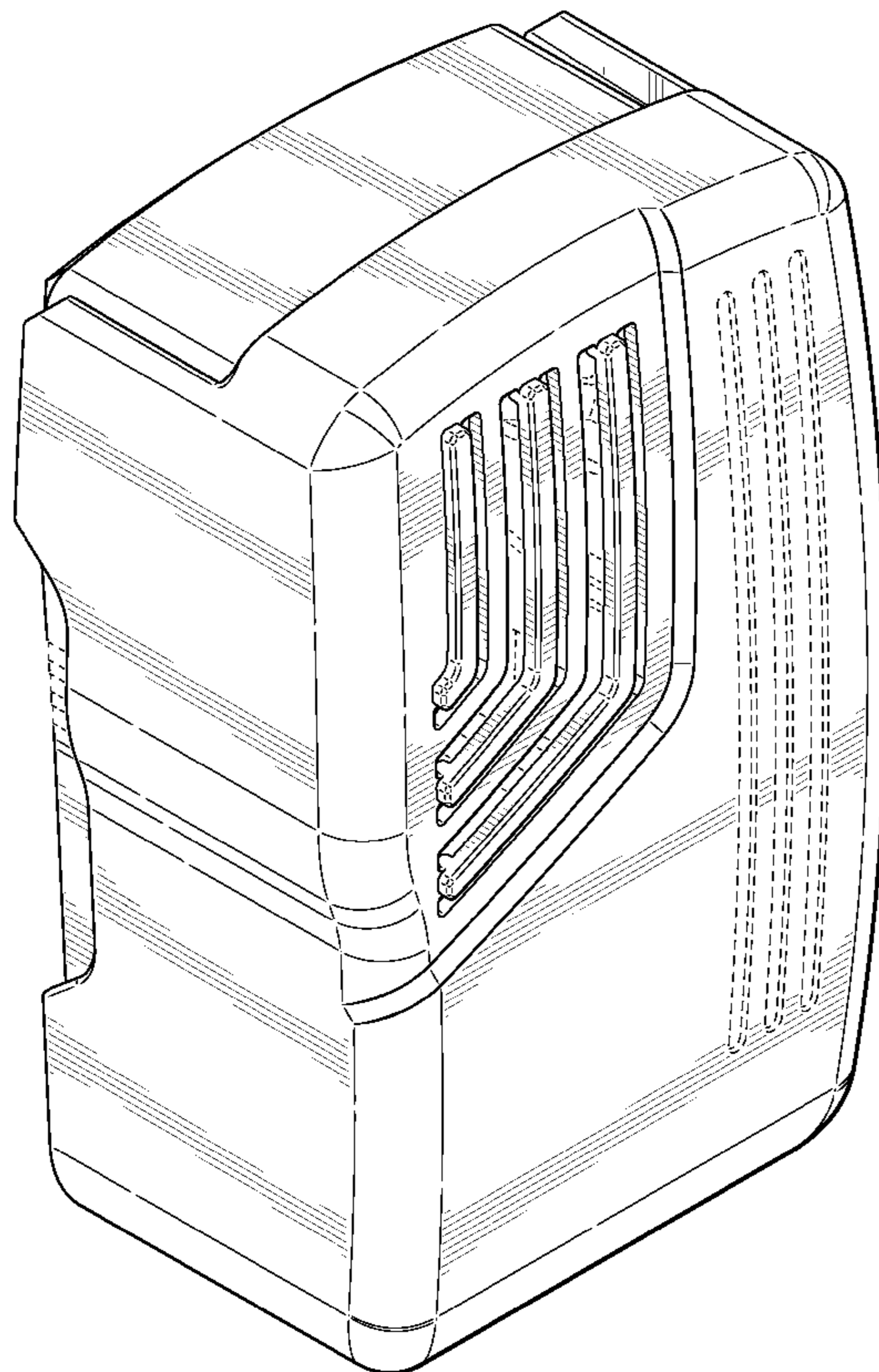
The broken dash lines shown in the drawing views represent non-claimed subject matter form no part of the claimed invention.

(56) **References Cited**

U.S. PATENT DOCUMENTS

D396,275 S * 7/1998 Pearson D23/355
D547,852 S * 7/2007 Wu D23/366
D582,025 S * 12/2008 Zobebe D23/366
D608,435 S * 1/2010 Zobebe D23/366

1 Claim, 7 Drawing Sheets



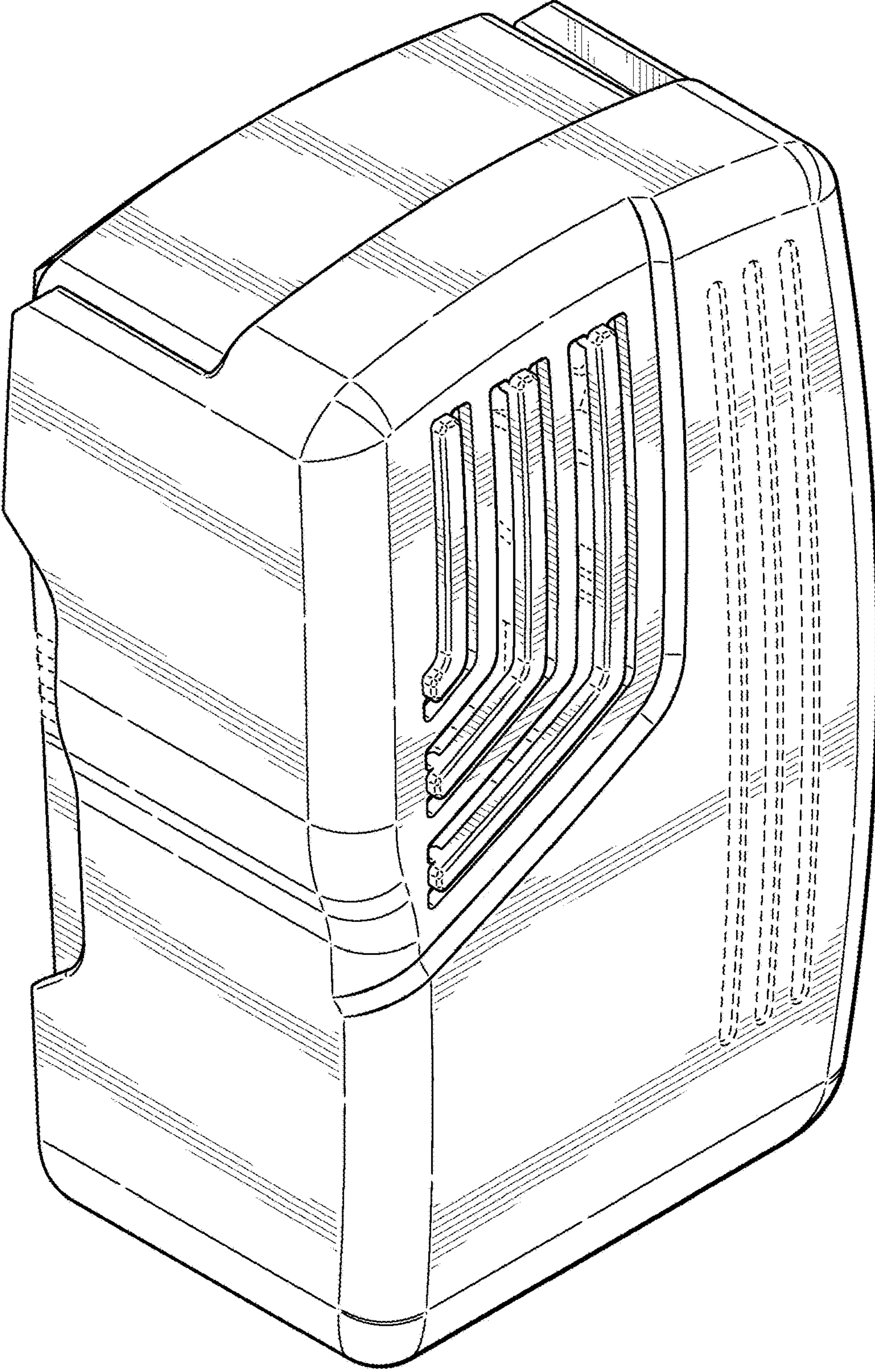


FIG. 1

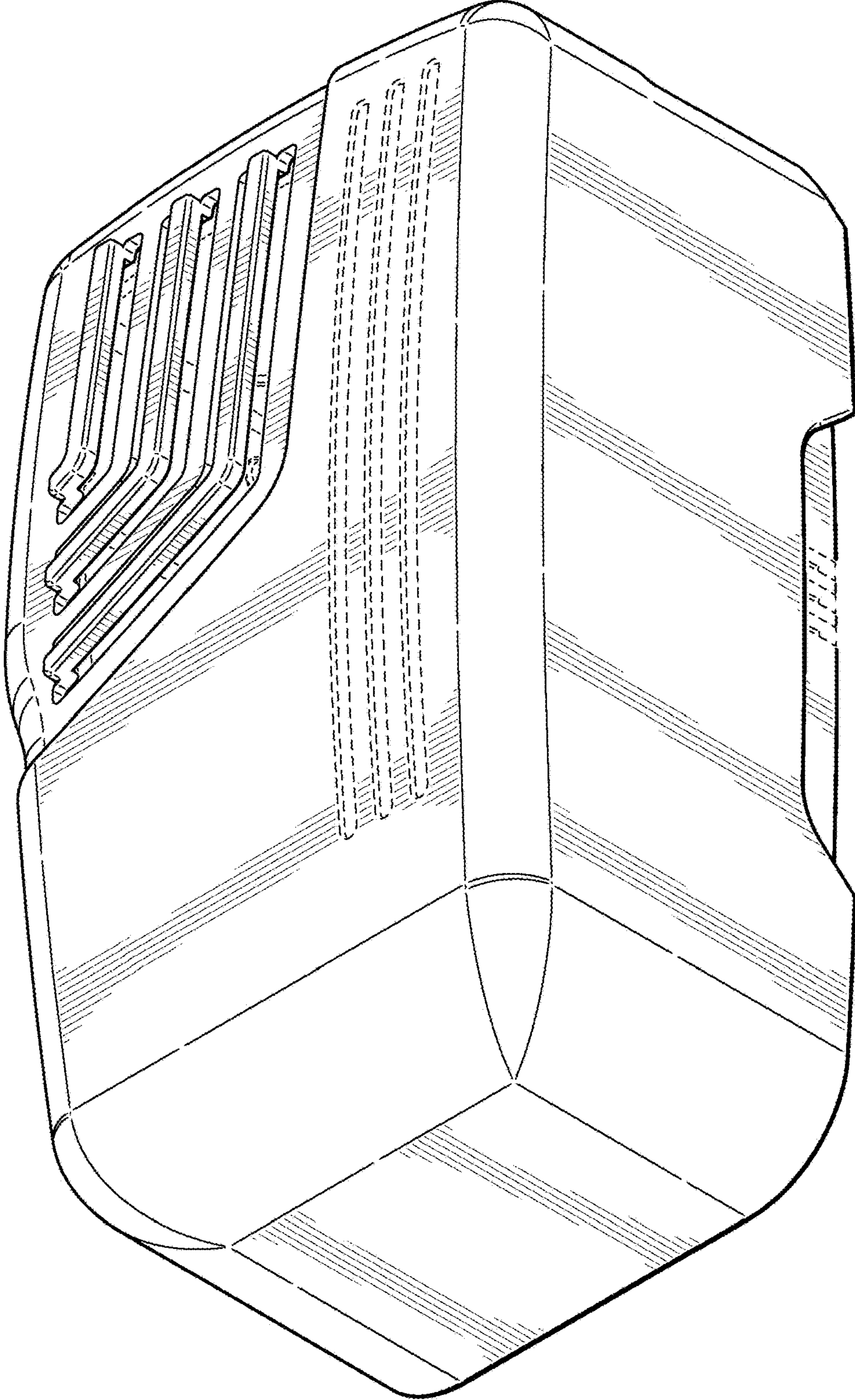


FIG. 2

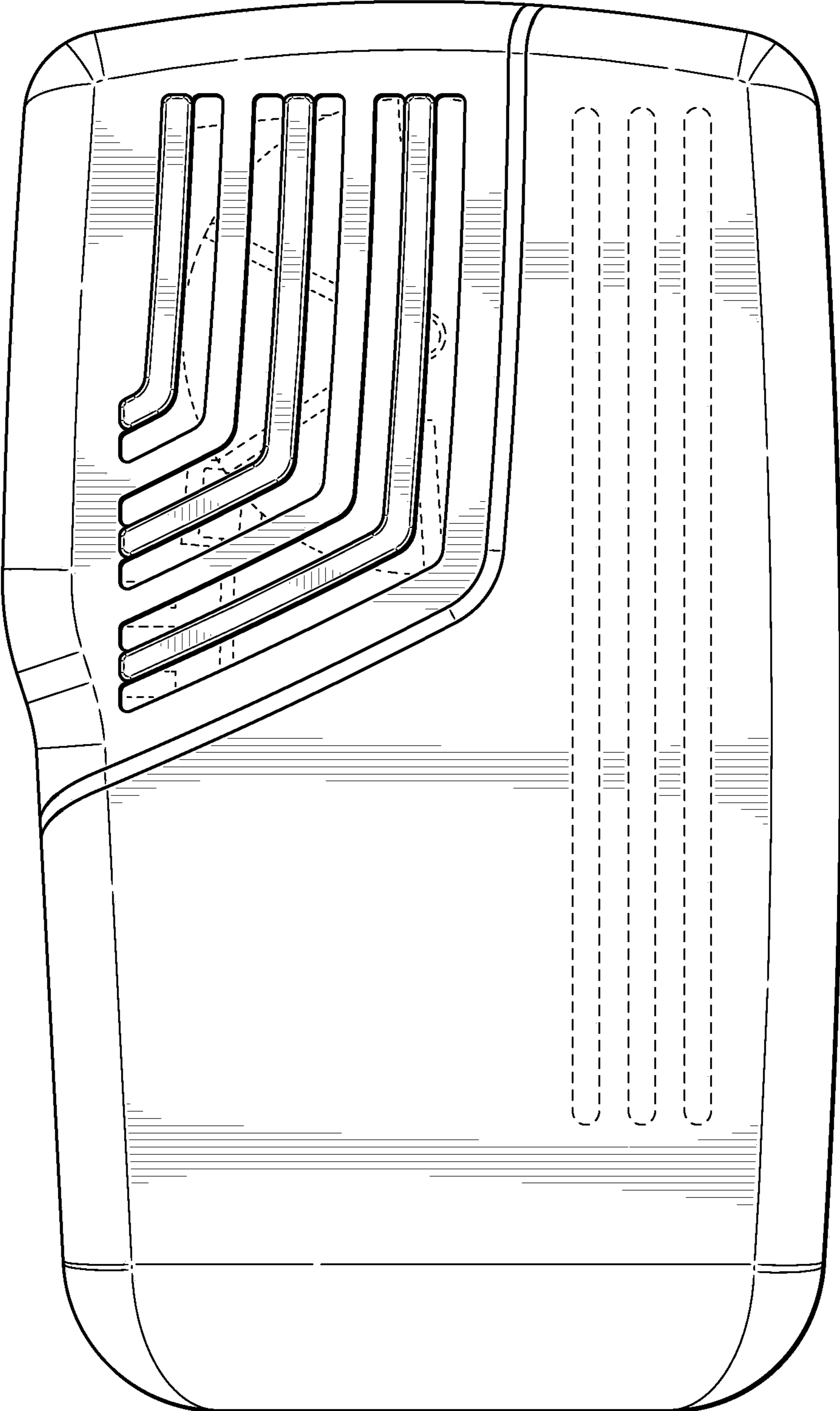


FIG. 3

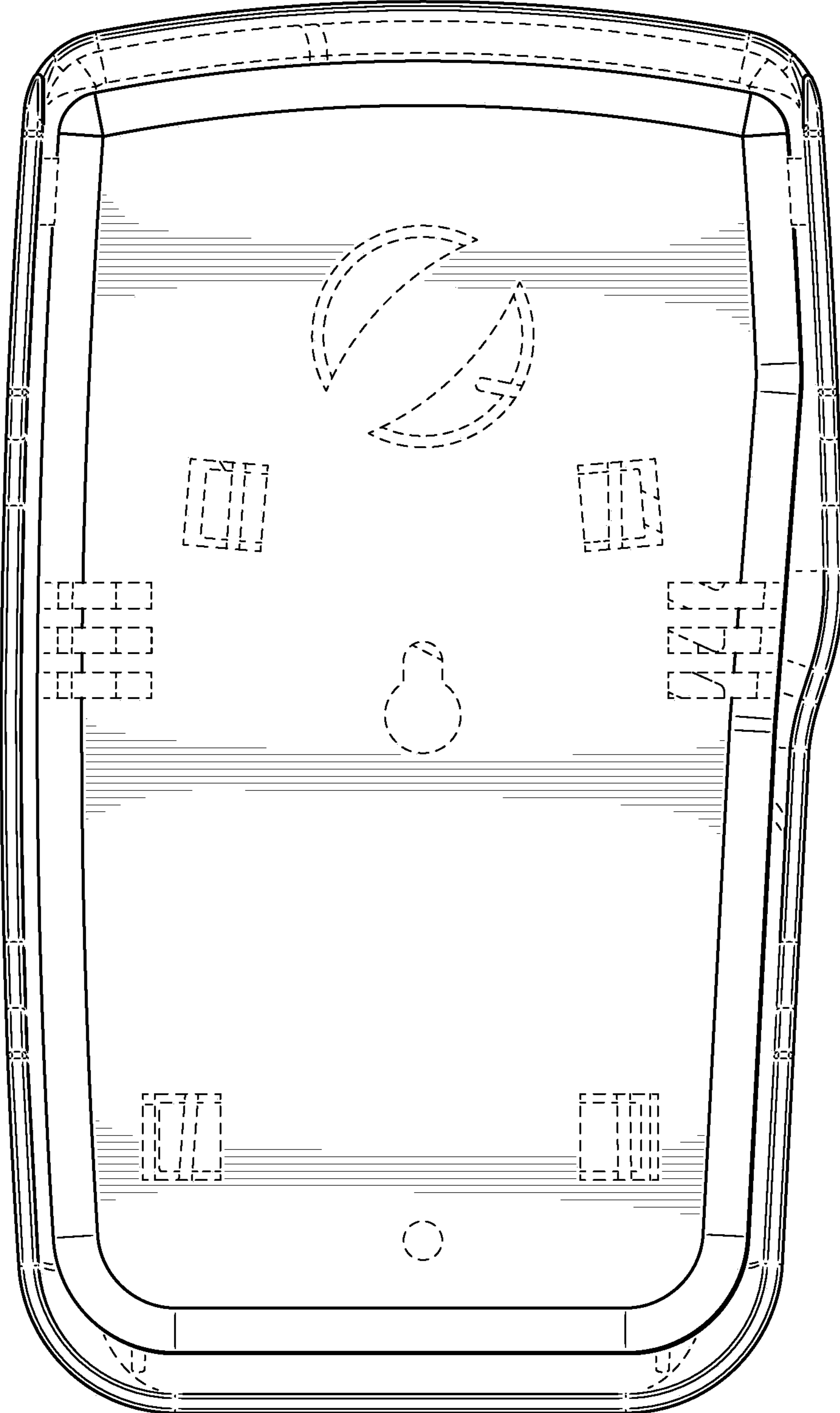


FIG. 4

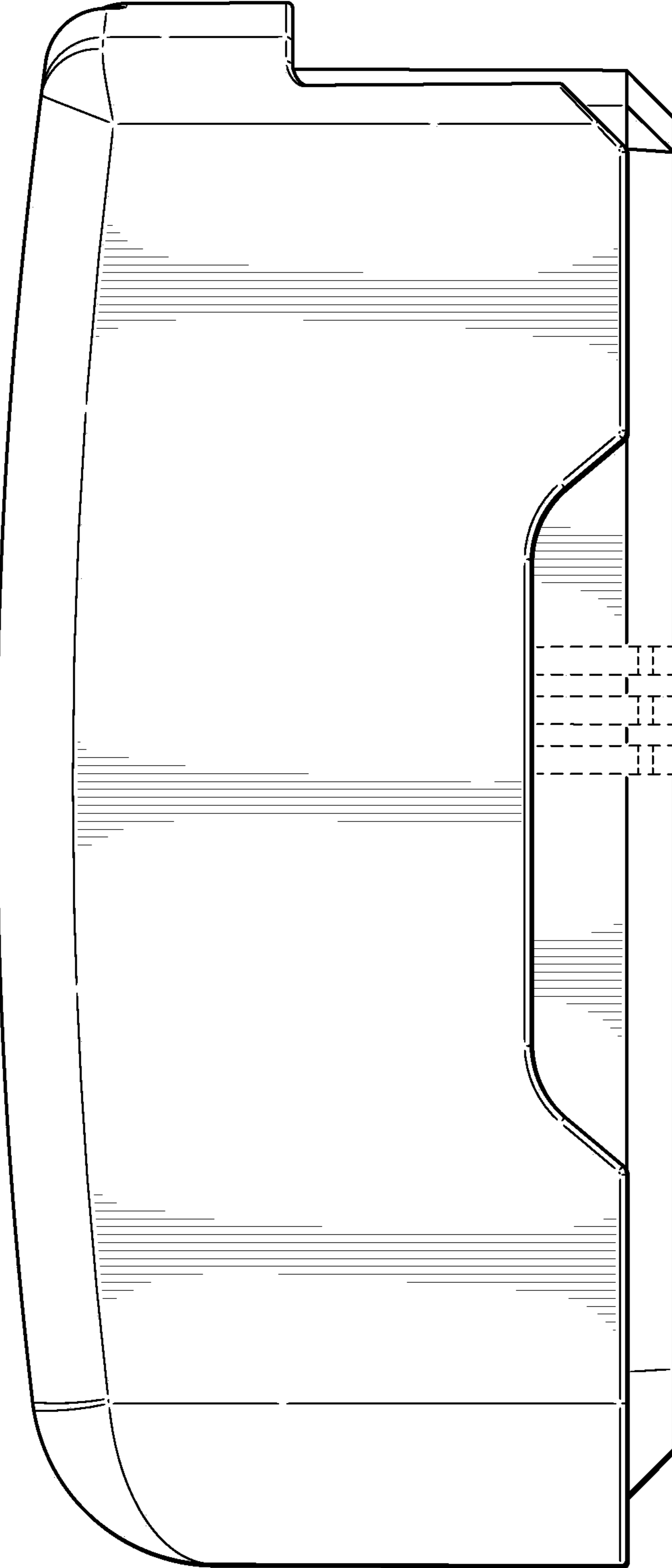


FIG. 5

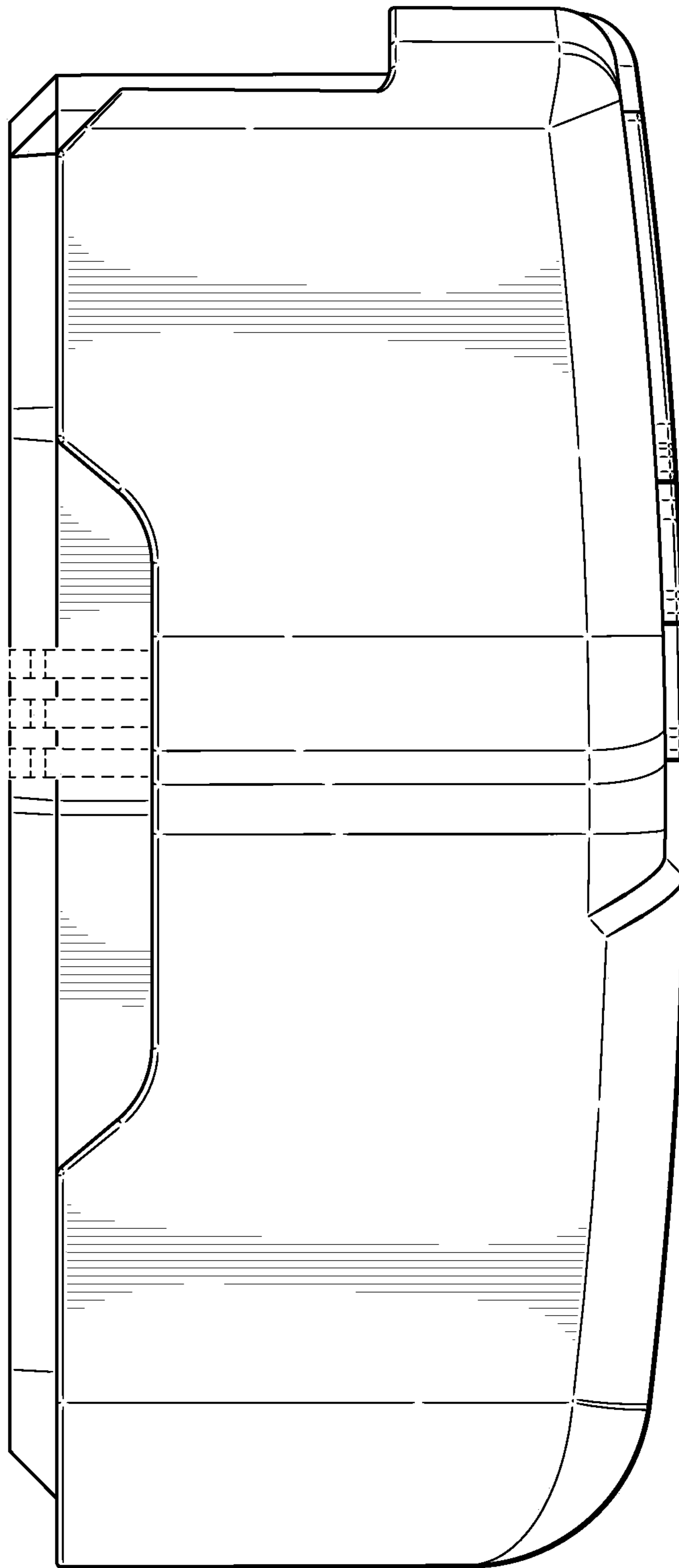


FIG. 6

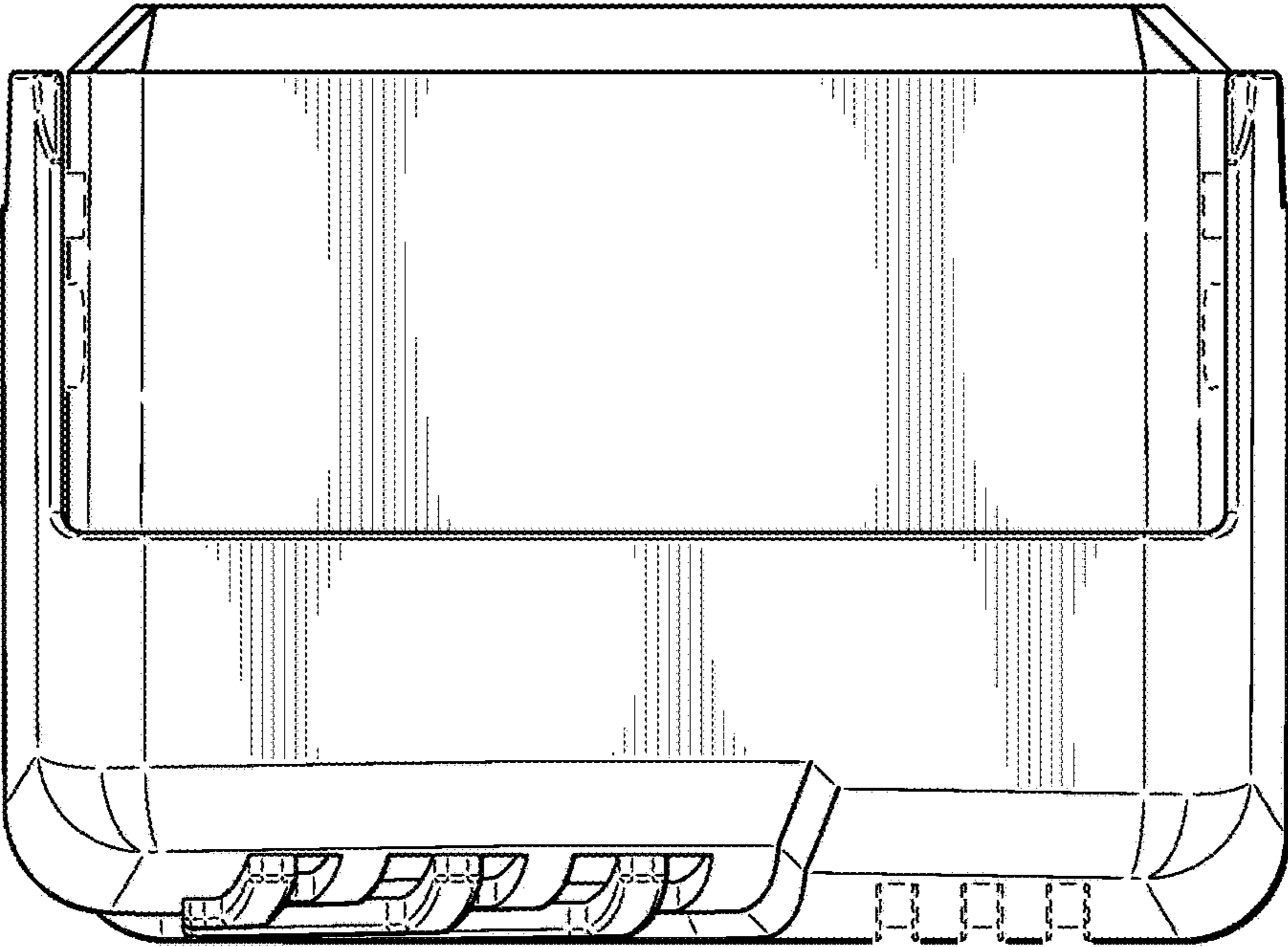


FIG. 7

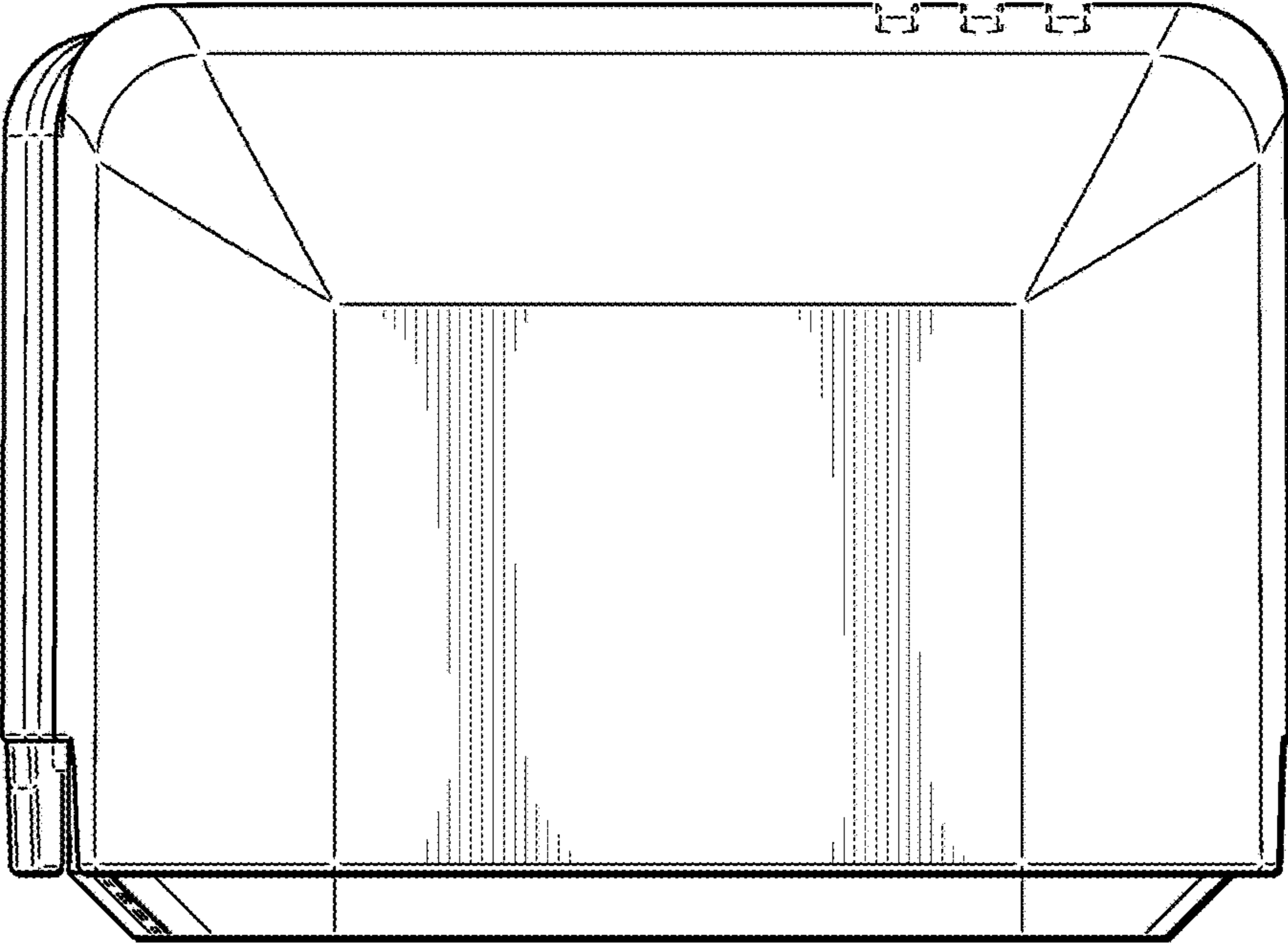


FIG. 8