



US00D829317S

(12) **United States Design Patent**  
**Kim et al.**

(10) **Patent No.:** **US D829,317 S**

(45) **Date of Patent:** **\*\* Sep. 25, 2018**

(54) **HUMIDIFICATION FILTER FOR AIR PURIFIER WITH HUMIDIFIER**

9/22; B01D 46/00; B01D 46/0002; B01D 46/20; F02M 35/04; F24F 13/20; A62B 21/00

(71) Applicant: **LG ELECTRONICS INC.**, Seoul (KR)

See application file for complete search history.

(72) Inventors: **Joosang Kim**, Seoul (KR); **Sungkyong Han**, Seoul (KR); **Yoojeung Han**, Seoul (KR); **Sehwan Bae**, Seoul (KR)

(56) **References Cited**

(73) Assignee: **LG ELECTRONICS INC.**, Seoul (KR)

U.S. PATENT DOCUMENTS

(\*\*) Term: **15 Years**

D274,462 S *	6/1984	Rakocy .....	D23/365
D303,833 S *	10/1989	Spector .....	D23/366
D401,942 S *	12/1998	Shelton .....	D15/5
D428,120 S *	7/2000	Zaldivar .....	D23/261
D463,541 S *	9/2002	Thomas .....	D23/365
D530,807 S *	10/2006	Miyagishima .....	D23/365
D740,927 S *	10/2015	Williams .....	D23/365
D761,380 S *	7/2016	Bahadir .....	D23/209
D762,833 S *	8/2016	Ogg .....	D23/365
D810,908 S *	2/2018	Mork .....	D23/365

(21) Appl. No.: **35/503,251**

(22) Filed: **Dec. 20, 2016**

\* cited by examiner

(80) **Hague Agreement Data**

Int. Filing Date: **Dec. 20, 2016**

Int. Reg. No.: **DM/094062**

Int. Reg. Date: **Dec. 20, 2016**

Int. Reg. Pub. Date: **Jun. 23, 2017**

*Primary Examiner* — Keli L Hill

(74) *Attorney, Agent, or Firm* — Birch, Stewart, Kolasch & Birch, LLP

(30) **Foreign Application Priority Data**

Jul. 12, 2016 (KR) ..... 30-2016-0033958

(51) **LOC (11) Cl.** ..... **23-04**

(52) **U.S. Cl.**  
USPC ..... **D23/365**

(58) **Field of Classification Search**

USPC ..... D23/209, 210, 335, 336, 352, 355, 356, D23/358, 364, 365, 375

CPC ..... A61L 9/00; A61L 9/02; A61L 9/03; A61L 9/034; A61L 9/04; A61L 9/12; A61L 9/032; A61L 9/122; A61L 9/127; A61L

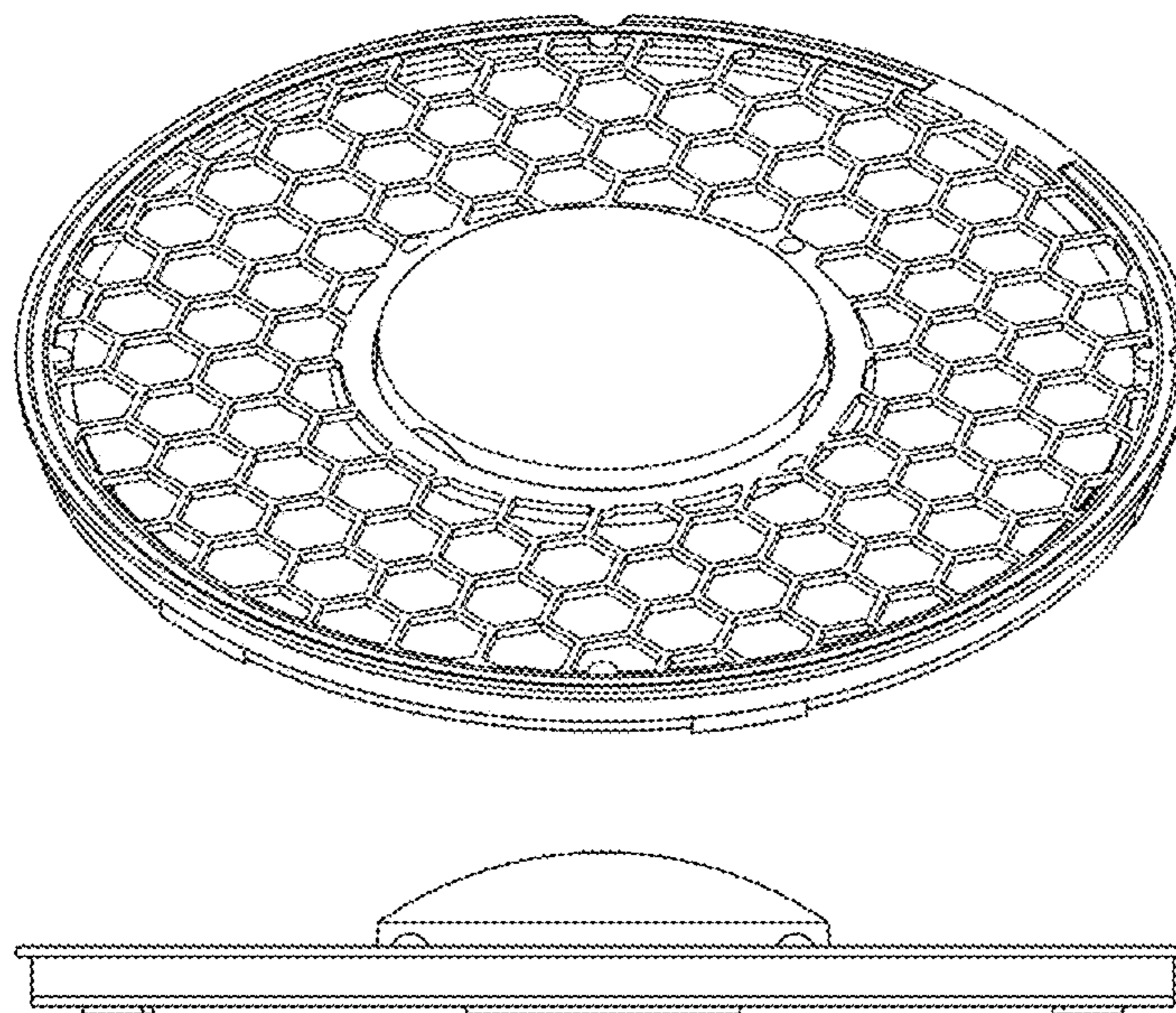
(57) **CLAIM**

The ornamental design for a humidification filter for air purifier with humidifier, as shown and described.

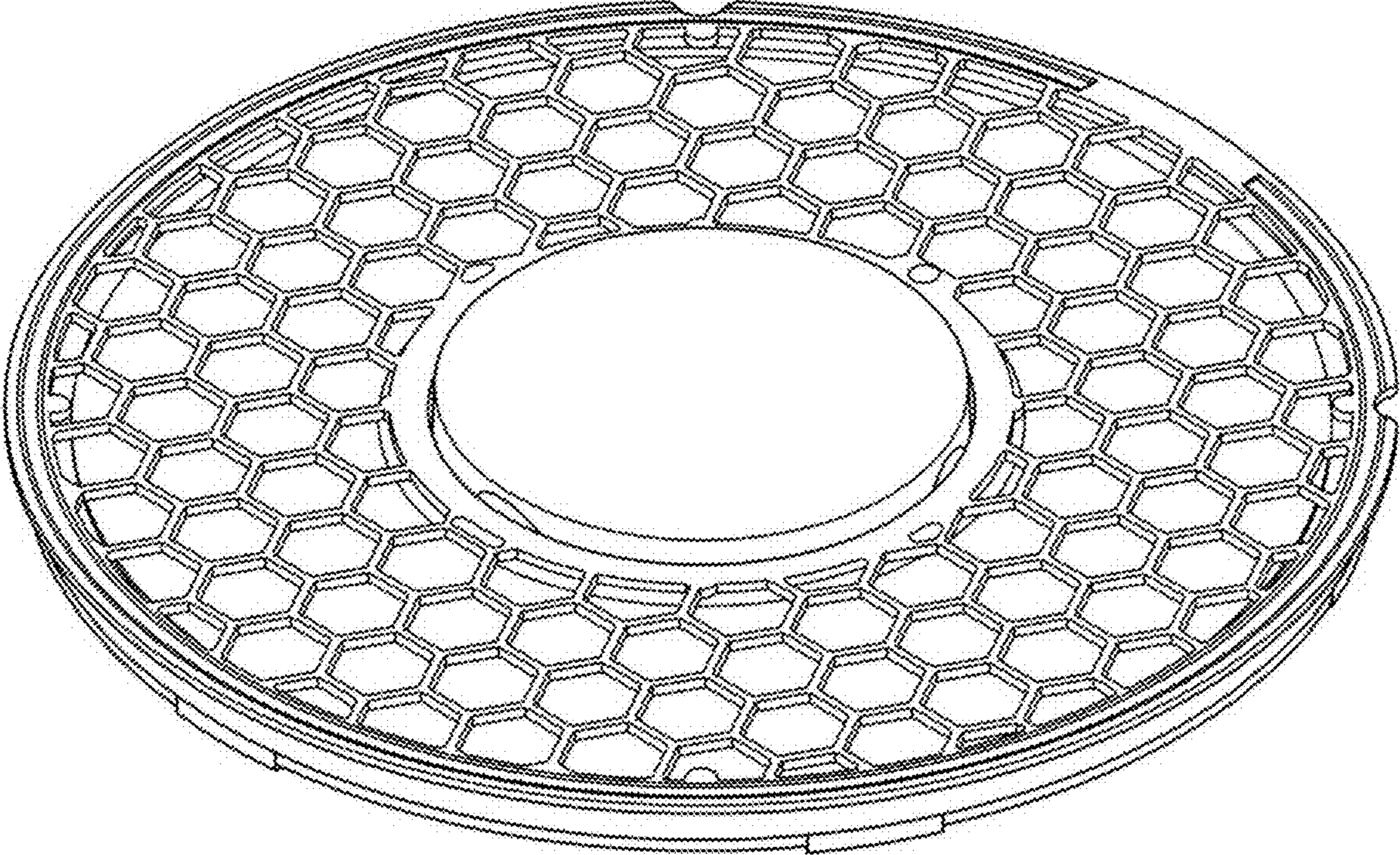
**DESCRIPTION**

1. Humidification filter for air purifier with humidifier
- 1.1 is a top, front and right side perspective view.
- 1.2 is a front elevation view.
- 1.3 is a rear elevation view.
- 1.4 is a left side elevation view.
- 1.5 is a right side elevation view.
- 1.6 is a top plan view.
- 1.7 is a bottom plan view.

**1 Claim, 7 Drawing Sheets**



1.1



1.2



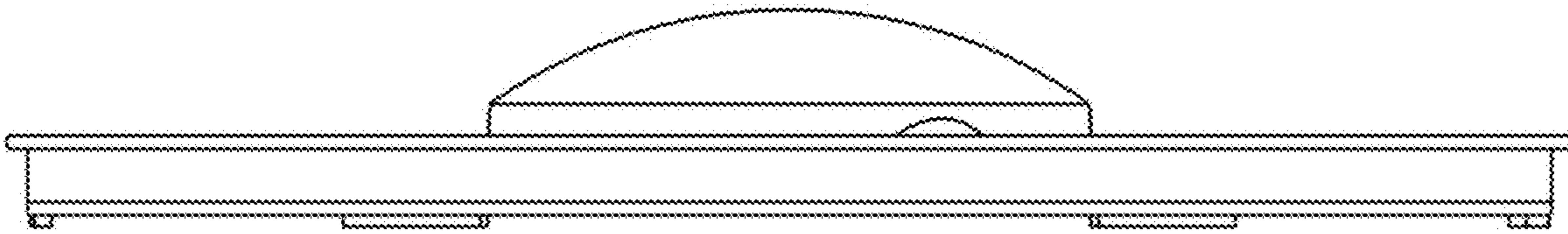
1.3



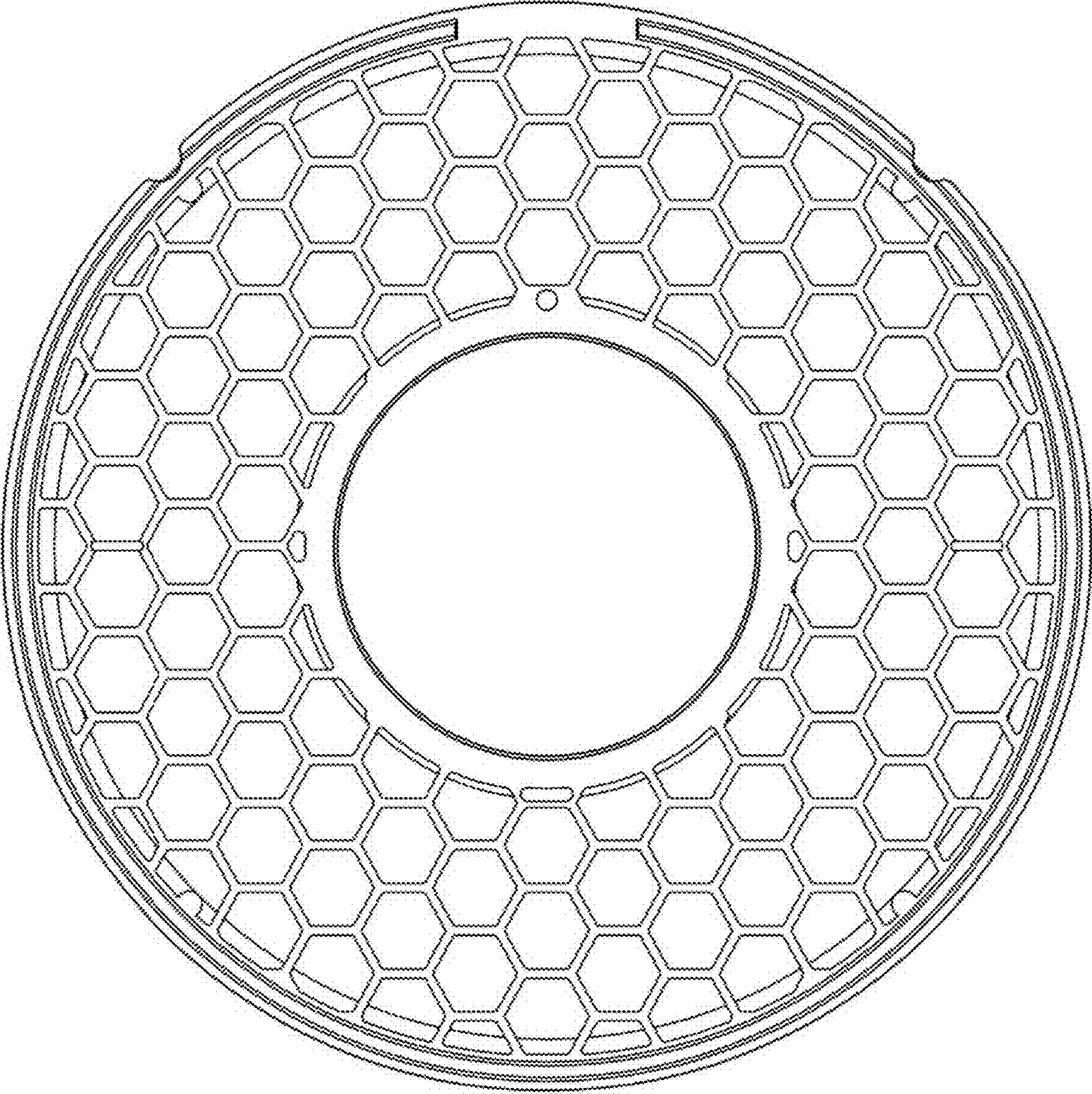
1.4



1.5



1.6



1.7

