



US00D829316S

(12) **United States Design Patent** (10) **Patent No.:** **US D829,316 S**
Kim et al. (45) **Date of Patent:** **** Sep. 25, 2018**

(54) **FILTER CASE FOR AIR PURIFIER WITH HUMIDIFIER**

9/22; B01D 46/00; B01D 46/0002; B01D 46/20; F02M 35/04; F24F 13/20; A62B 21/00

(71) Applicant: **LG ELECTRONICS INC.**, Seoul (KR)

See application file for complete search history.

(72) Inventors: **Joosang Kim**, Seoul (KR); **Sungkyong Han**, Seoul (KR); **Yoojeung Han**, Seoul (KR); **Shwan Bae**, Seoul (KR)

(56) **References Cited**

U.S. PATENT DOCUMENTS

(73) Assignee: **LG ELECTRONICS INC.**, Seoul (KR)

D354,344 S *	1/1995	Fritz	D23/366
D538,418 S *	3/2007	Pippel	D23/209
D726,296 S *	4/2015	Talbot	D23/366
D796,022 S *	8/2017	DeChristofaro	D23/365
D804,005 S *	11/2017	Spear	D23/365
D810,908 S *	2/2018	Mork	D23/365

(**) Term: **15 Years**

* cited by examiner

(21) Appl. No.: **35/503,170**

Primary Examiner — Keli L Hill

(22) Filed: **Dec. 16, 2016**

(74) *Attorney, Agent, or Firm* — Birch, Stewart, Kolasch & Birch, LLP

(80) **Hague Agreement Data**

Int. Filing Date: **Dec. 16, 2016**
Int. Reg. No.: **DM/094050**
Int. Reg. Date: **Dec. 16, 2016**
Int. Reg. Pub. Date: **Jun. 16, 2017**

(57) **CLAIM**

The ornamental design for a filter case for air purifier with humidifier, as shown and described.

(30) **Foreign Application Priority Data**

Jul. 14, 2016 (KR) 30-2016-0034527

DESCRIPTION

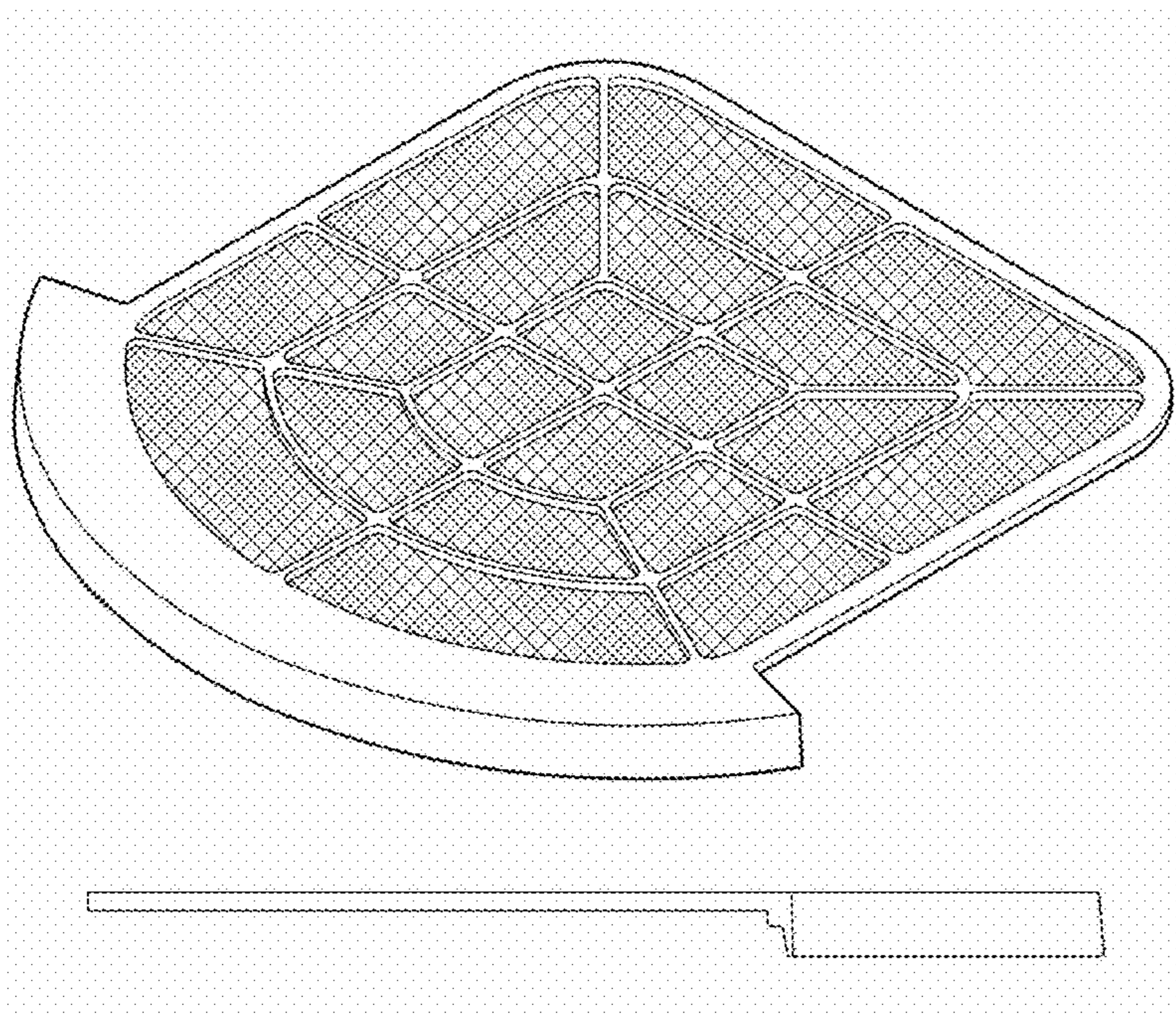
(51) **LOC (11) Cl.** **23-04**

(52) **U.S. Cl.**
USPC **D23/365**

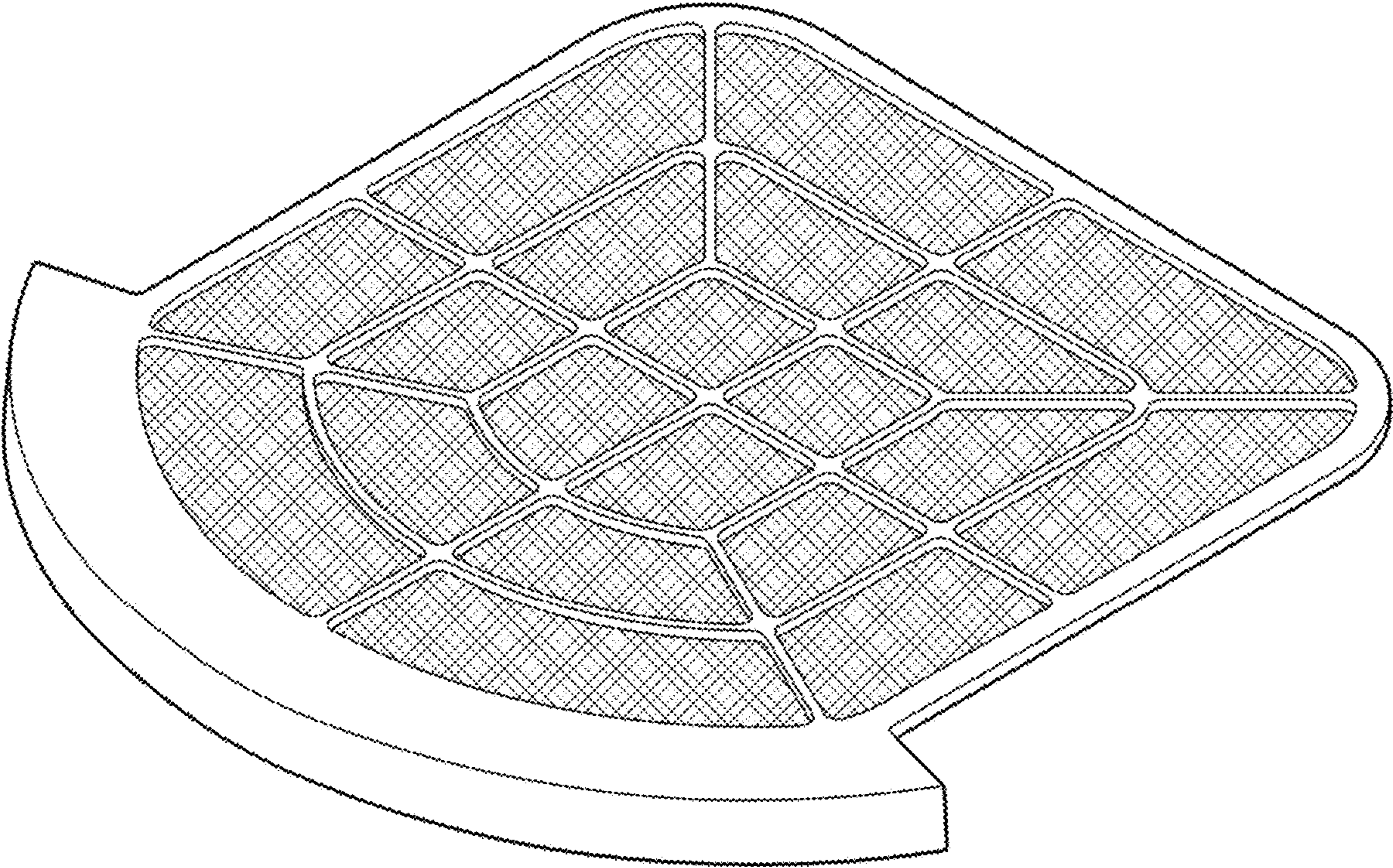
(58) **Field of Classification Search**
USPC D23/209, 210, 335, 336, 352, 355, 356, D23/358, 364, 365, 375
CPC A61L 9/00; A61L 9/02; A61L 9/03; A61L 9/034; A61L 9/04; A61L 9/12; A61L 9/032; A61L 9/122; A61L 9/127; A61L

1. Filter case for air purifier with humidifier
- 1.1 is a front and right side perspective view.
- 1.2 is a front elevation view.
- 1.3 is a rear elevation view.
- 1.4 is a left side elevation view.
- 1.5 is a right side elevation view.
- 1.6 is a top plan view.
- 1.7 is a bottom plan view.

1 Claim, 7 Drawing Sheets



1.1



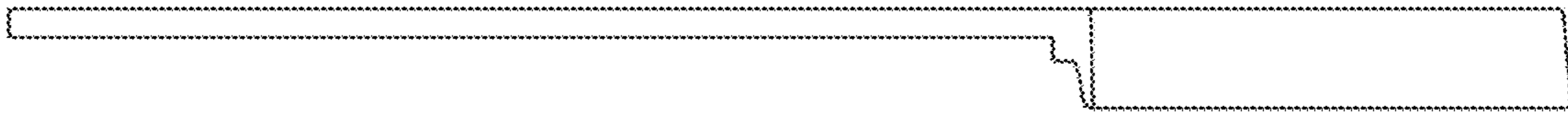
1.2



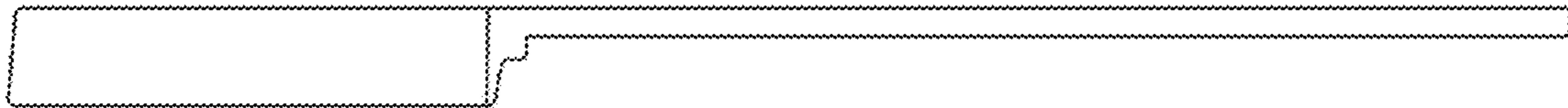
1.3



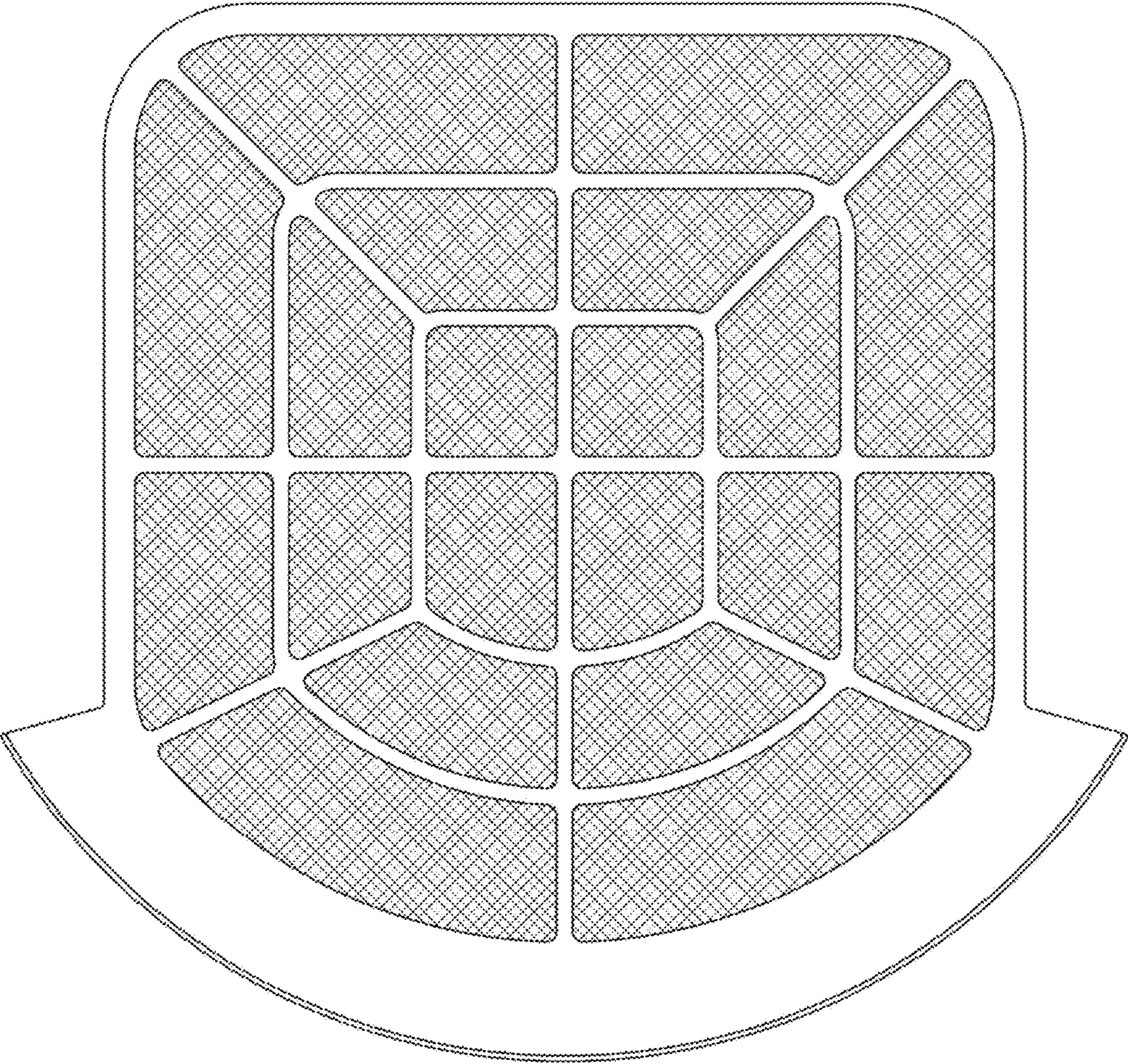
1.4



1.5



1.6



1.7

