



US00D829315S

(12) **United States Design Patent**
Williams

(10) **Patent No.:** **US D829,315 S**

(45) **Date of Patent:** **** Sep. 25, 2018**

(54) **AIRCHARGER FILTER**

(71) Applicant: **K&N Engineering, Inc.**, Riverside, CA
(US)

(72) Inventor: **Steve Williams**, Cherry Valley, CA
(US)

(73) Assignee: **K&N Engineering, Inc.**, Riverside, CA
(US)

(**) Term: **15 Years**

(21) Appl. No.: **29/600,330**

(22) Filed: **Apr. 11, 2017**

(51) **LOC (11) Cl.** **23-04**

(52) **U.S. Cl.**
USPC **D23/365**

(58) **Field of Classification Search**
USPC D23/209, 341, 358, 363-365; D15/5
CPC F02M 35/04; F02M 35/10; F02M 35/024;
B01D 46/0002; B01D 46/10
See application file for complete search history.

(56) **References Cited**

U.S. PATENT DOCUMENTS

D478,972 S *	8/2003	Hunter	D23/365
6,780,214 B2 *	8/2004	Leibold	F02M 29/06 123/198 E
D544,083 S *	6/2007	Walser	D12/114
D642,593 S *	8/2011	Finnie	D12/114
D675,649 S *	2/2013	Sands	D12/114

D706,177 S *	6/2014	Finnie	D12/126
D743,518 S *	11/2015	Finnie	D23/355
2018/0045145 A1 *	2/2018	Williams	F02M 35/10144

OTHER PUBLICATIONS

K&N 63-1134 K&N Engineering, Inc. Performance Intake Kit found online [Apr. 5, 2018]—<https://www.amazon.com/63/1134-Engineering-Inc-Performance-Intake/dp/B01JFLY4YC#customerReviews>.*

* cited by examiner

Primary Examiner — Brandon Michael Rosati

(74) *Attorney, Agent, or Firm* — Rutan & Tucker LLP; Hani Z. Sayed

(57) **CLAIM**

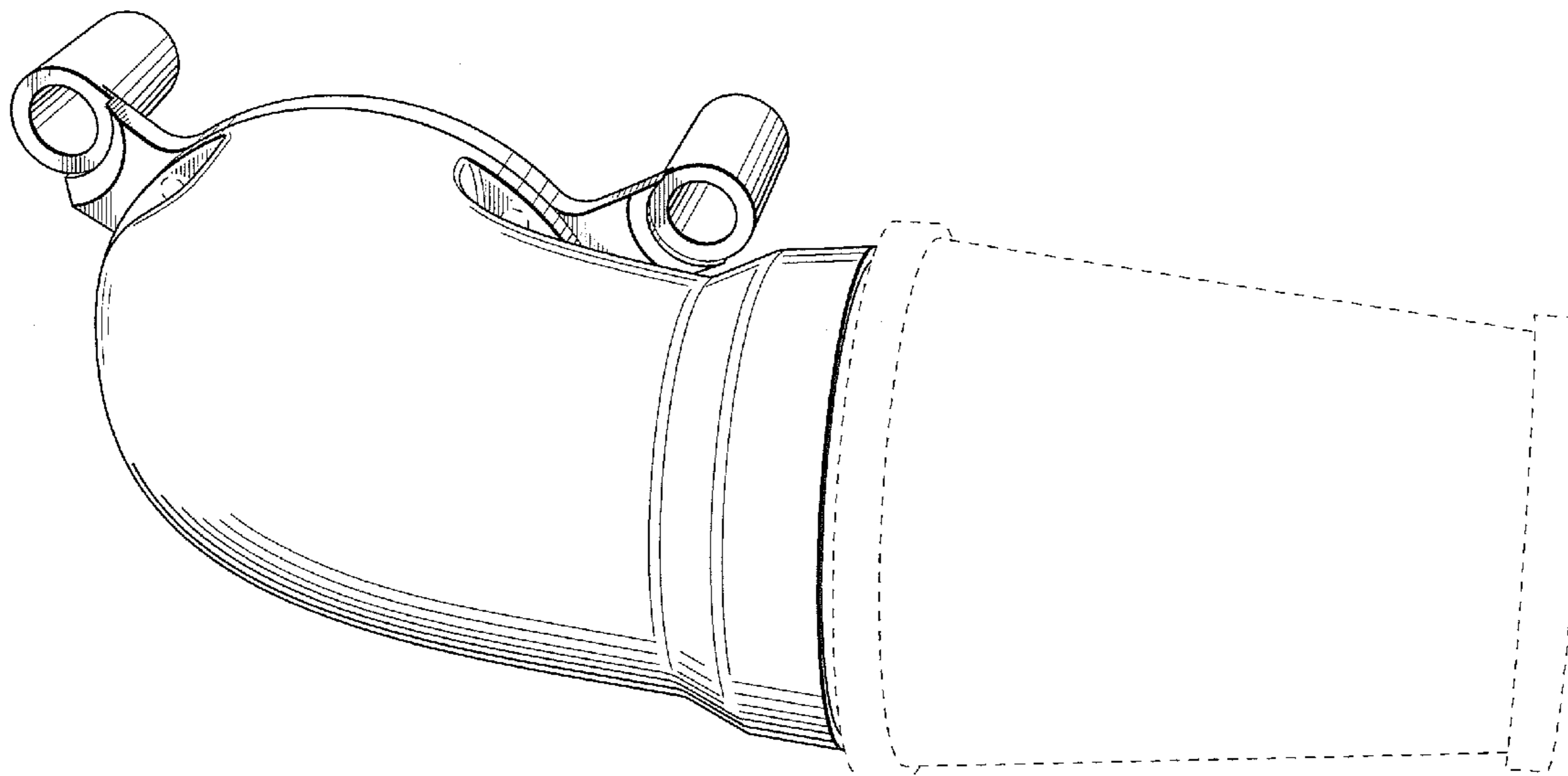
The ornamental design for a aircharger filter, as shown and described.

DESCRIPTION

FIG. 1—Top, rear, right side perspective view of the present invention;
FIG. 2—Front elevation view;
FIG. 3—Rear elevation view;
FIG. 4—Top plan view;
FIG. 5—Bottom plan view;
FIG. 6—Left side elevation view; and,
FIG. 7—Right side elevation view.

In the drawings, the broken lines depict environmental subject matter only and form no part of the claimed design.

1 Claim, 5 Drawing Sheets



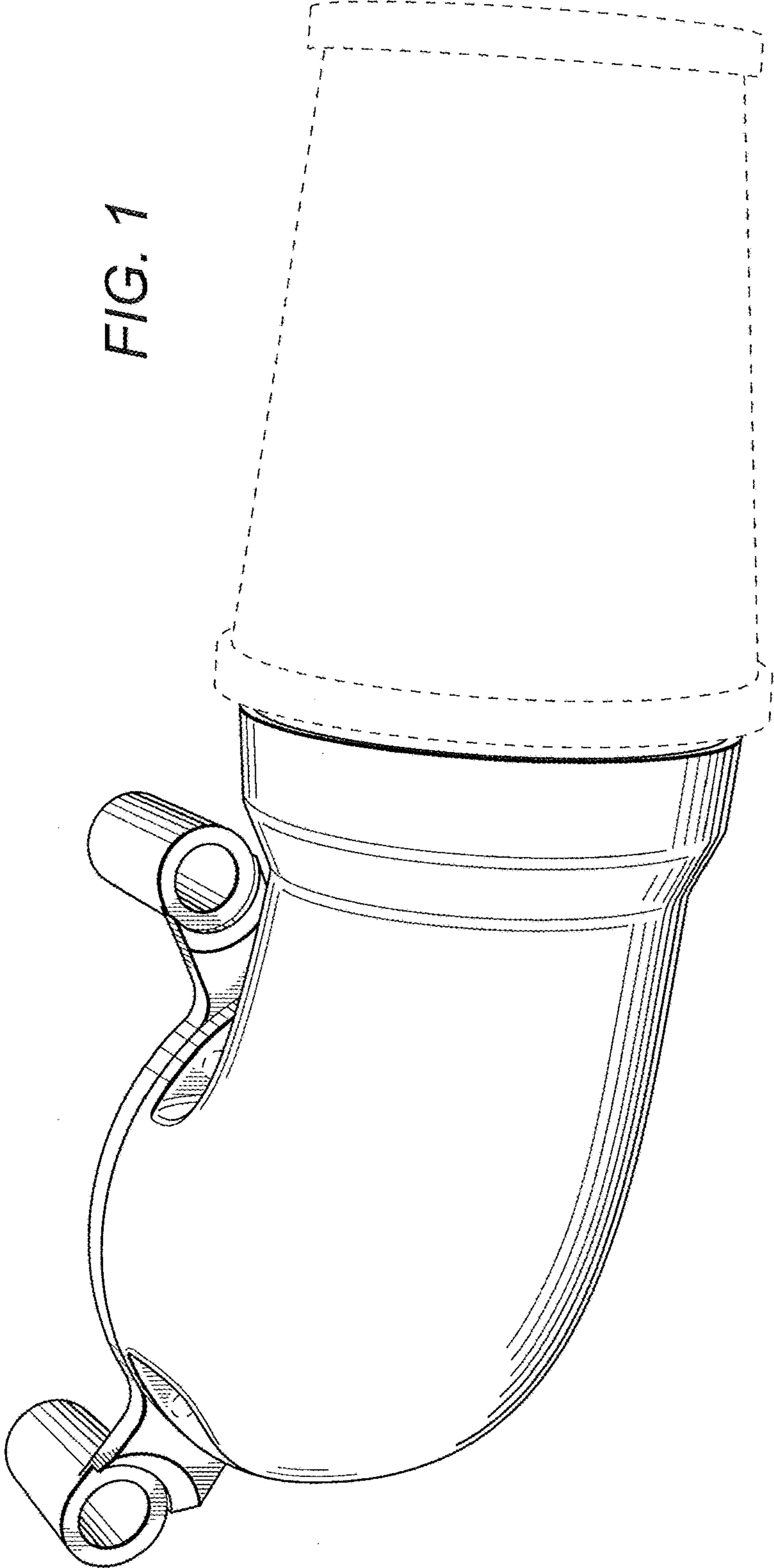


FIG. 1

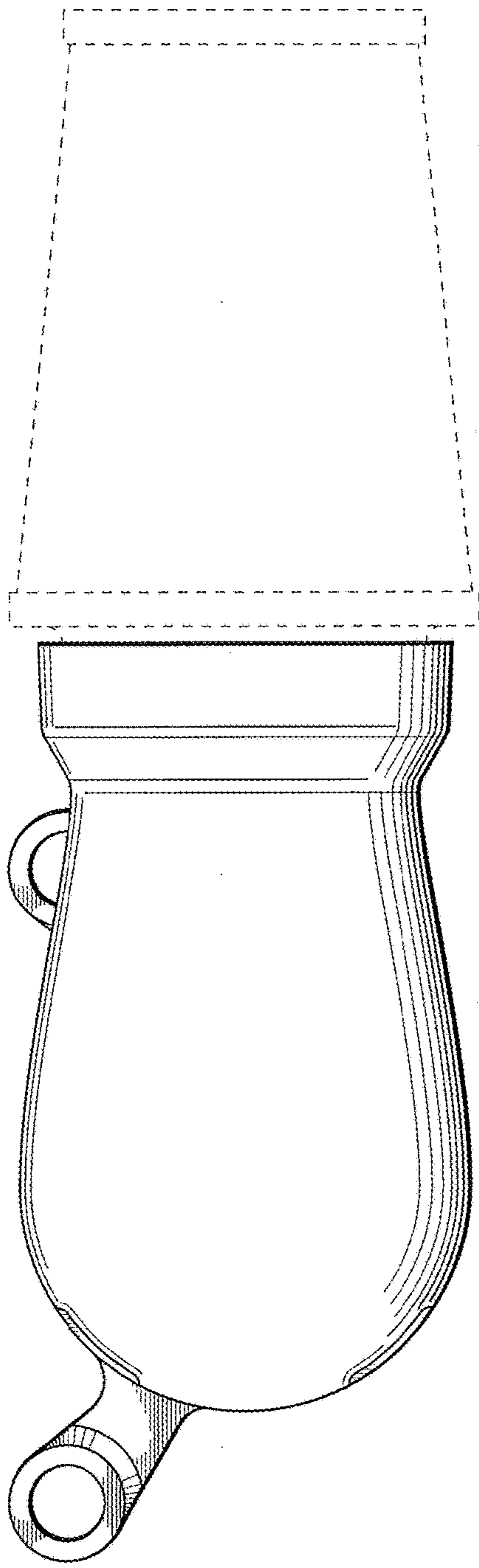


FIG. 2

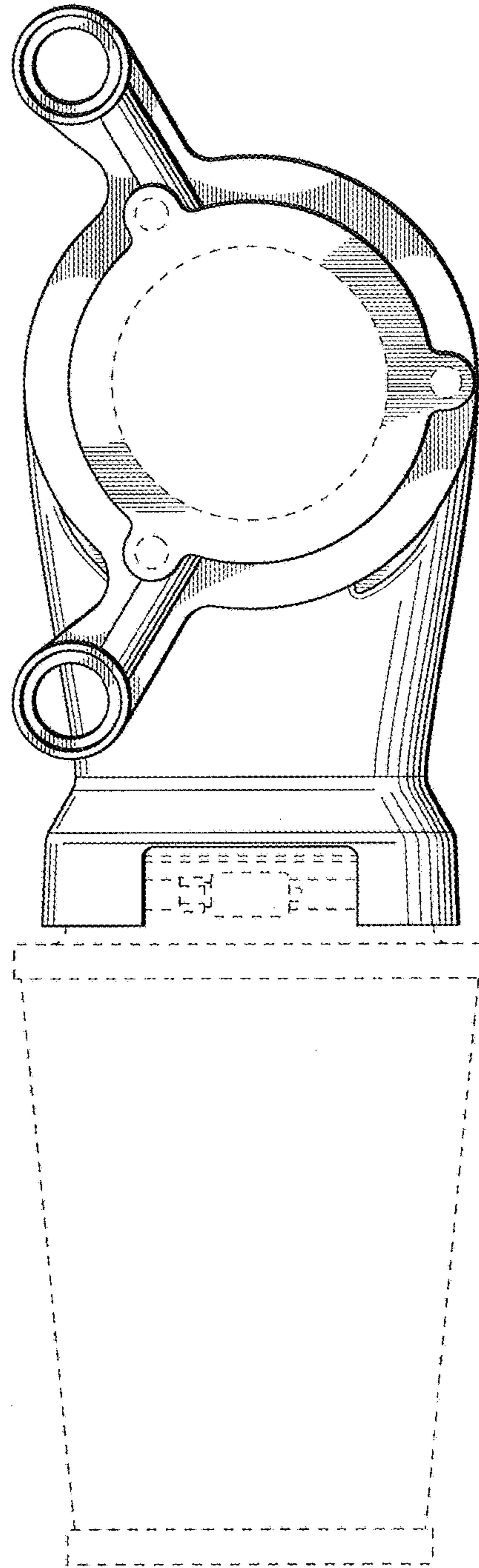


FIG. 3

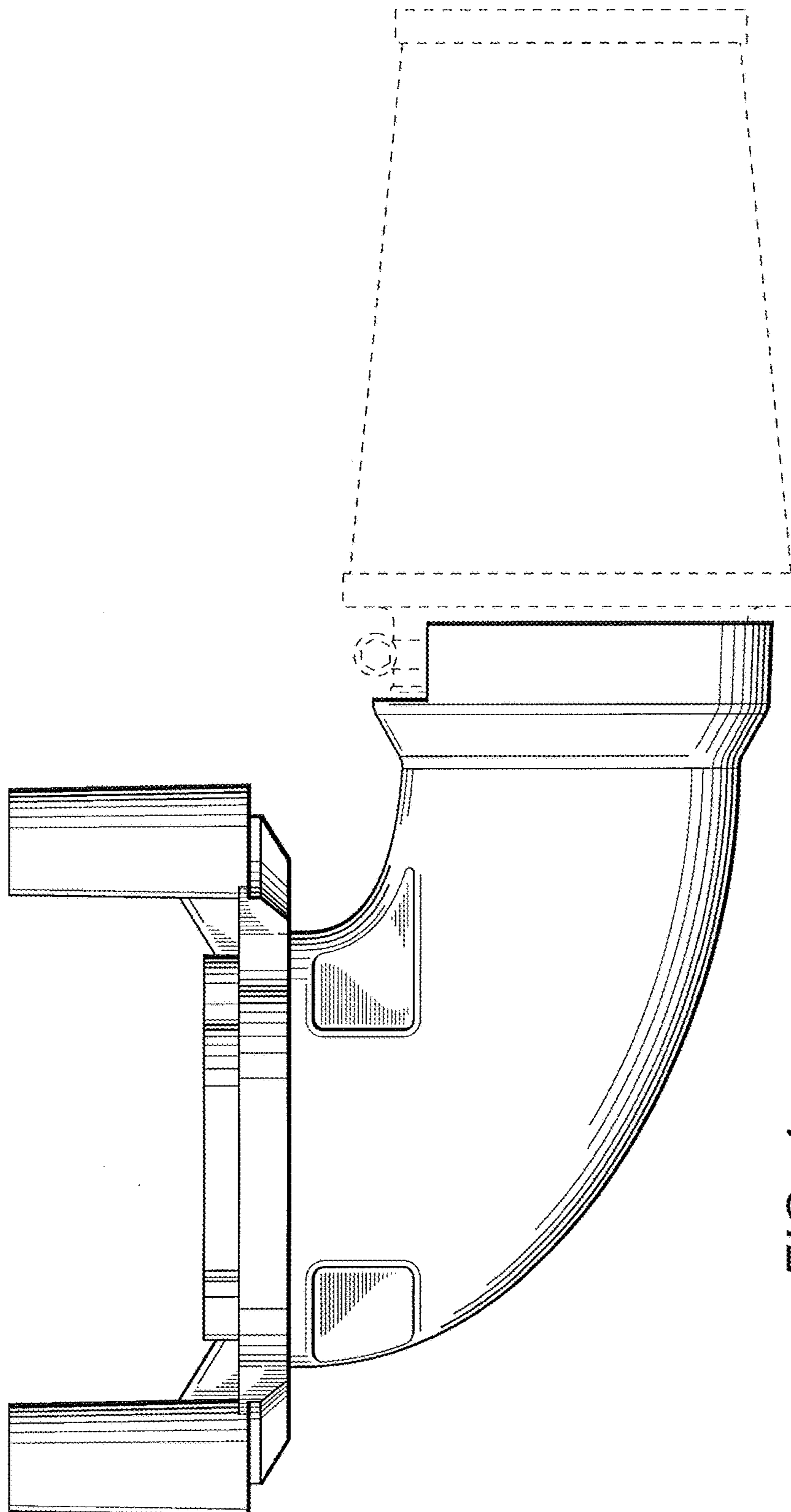


FIG. 4

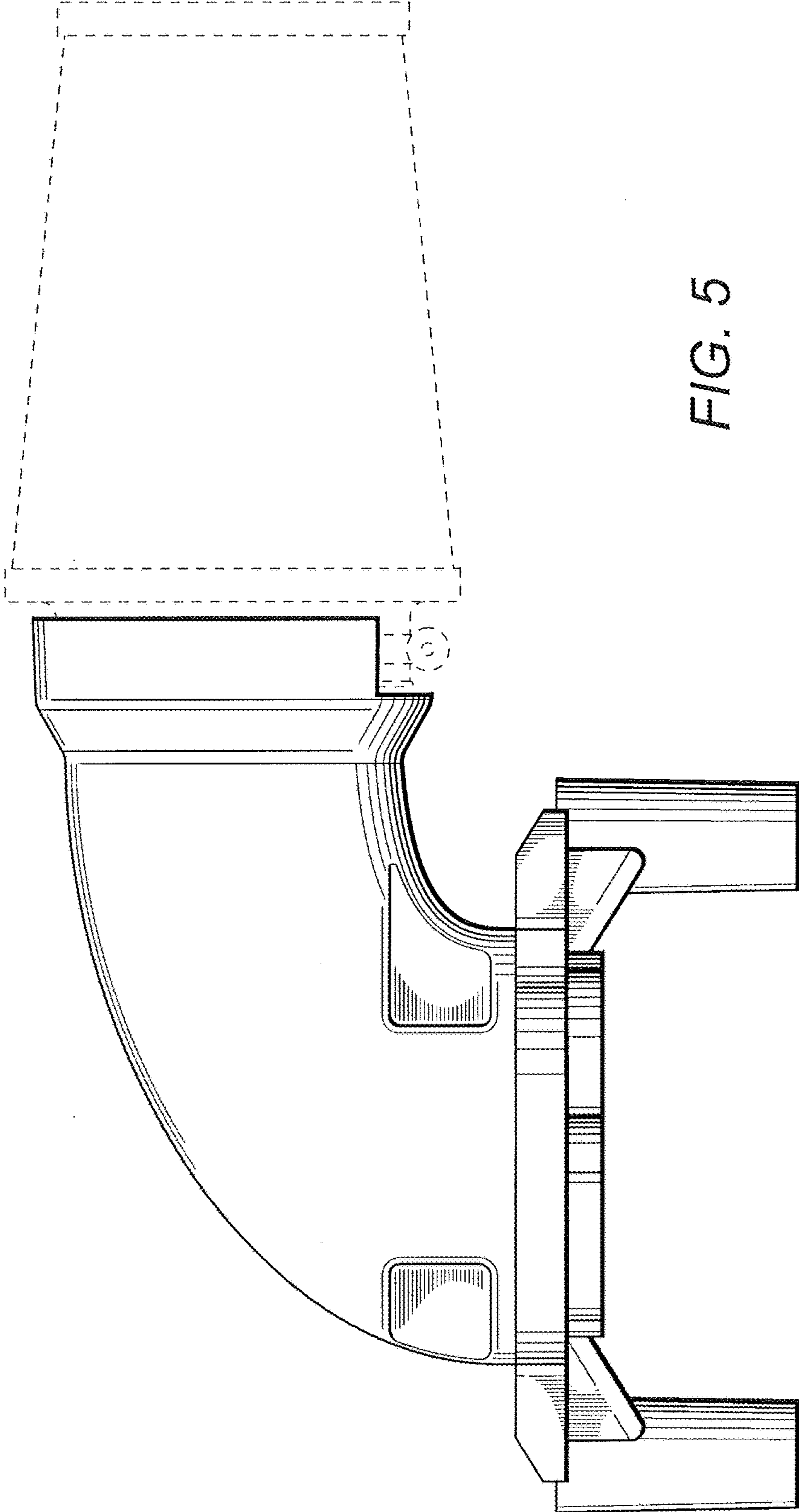


FIG. 5

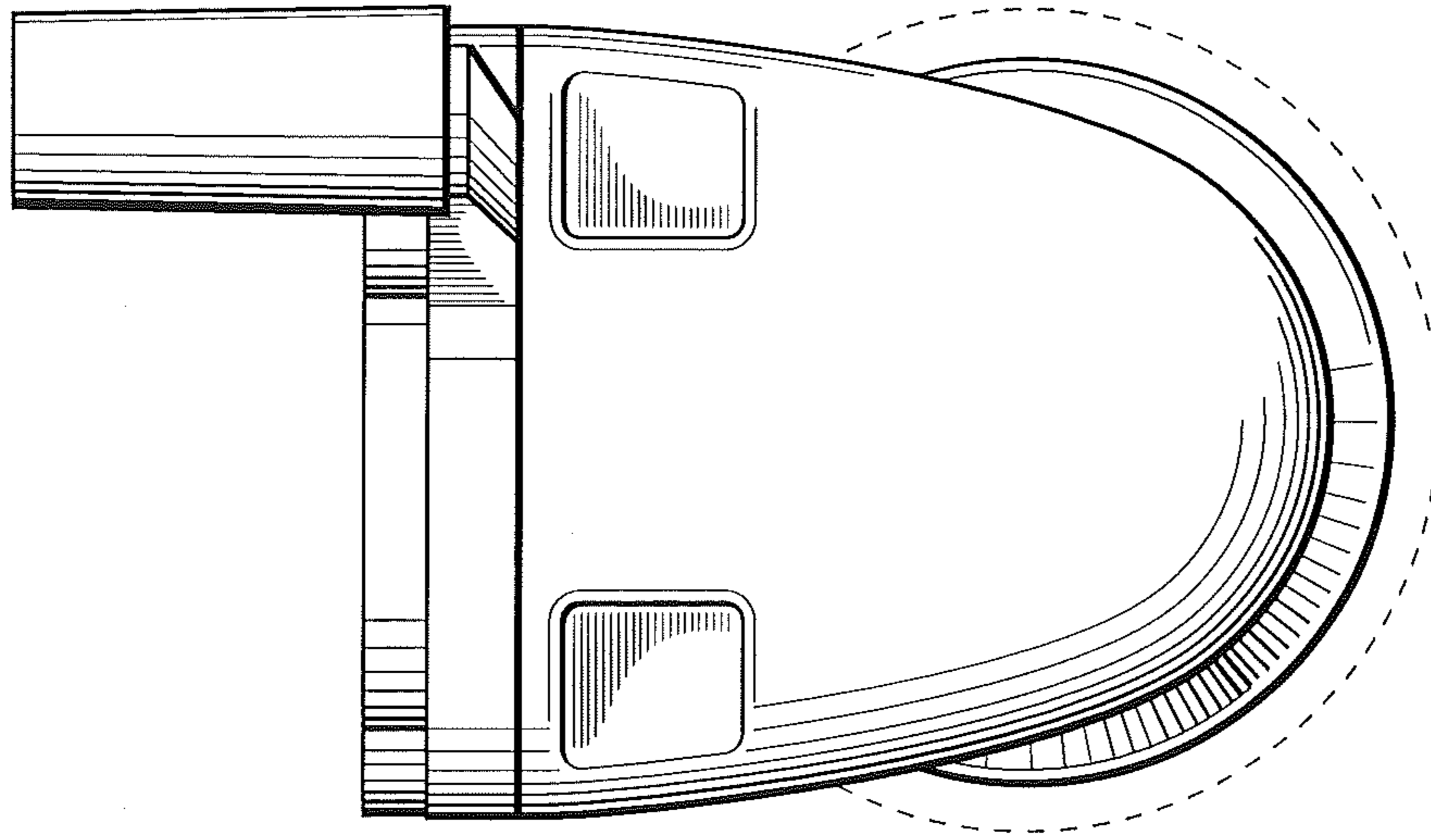


FIG. 6

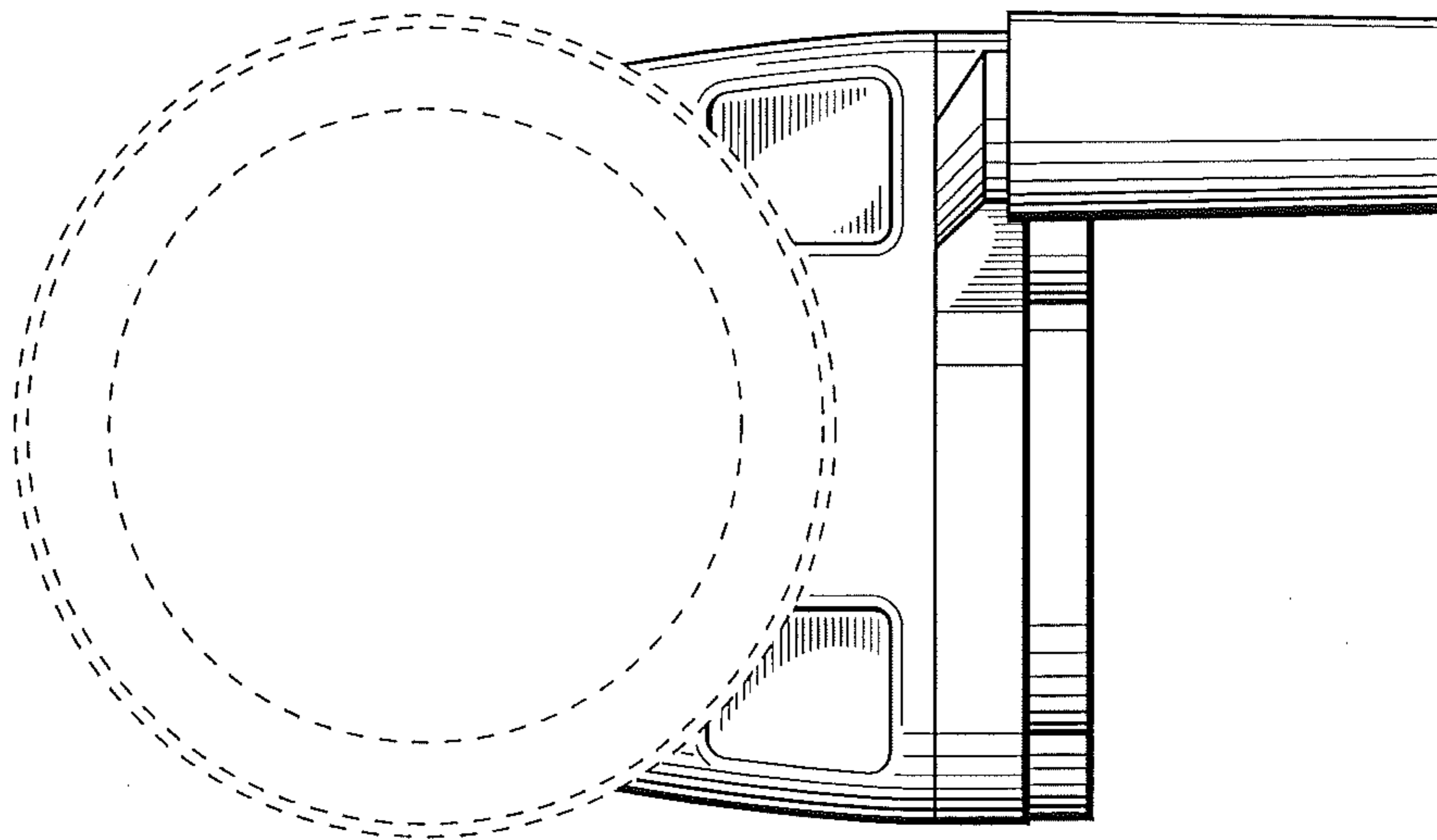


FIG. 7