



US00D829312S

(12) **United States Design Patent**  
**Riering-Czekalla et al.**

(10) **Patent No.:** **US D829,312 S**  
(45) **Date of Patent:** **\*\* Sep. 25, 2018**

(54) **AIR PURIFIER**

(71) Applicant: **Molekule, Inc.**, San Francisco, CA (US)

(72) Inventors: **Peter Riering-Czekalla**, San Francisco, CA (US); **David Sanabria**, San Francisco, CA (US); **Jaya Rao**, San Francisco, CA (US); **Dilip Goswami**, San Francisco, CA (US); **Ryan Vinyard**, San Francisco, CA (US)

(73) Assignee: **Molekule Inc.**, San Francisco, CA (US)

(\*\*) Term: **15 Years**

(21) Appl. No.: **29/604,972**

(22) Filed: **May 22, 2017**

(51) **LOC (11) Cl.** ..... **23-04**

(52) **U.S. Cl.**  
USPC ..... **D23/364**

(58) **Field of Classification Search**  
USPC ..... D23/314, 325, 333–336, 355–367, D23/386–388  
CPC . A61L 9/03; A61L 9/012; A61L 9/015; A61L 9/037  
See application file for complete search history.

(56) **References Cited**

U.S. PATENT DOCUMENTS

D328,946 S *	8/1992	Havrilla .....	D23/365
D400,663 S *	11/1998	Furlough .....	D23/366
D493,874 S *	8/2004	Woods .....	D23/364
D505,999 S *	6/2005	Song .....	D23/364
D648,429 S *	11/2011	Choi .....	D23/364
D687,017 S *	7/2013	Ashcraft .....	D14/216
D716,427 S *	10/2014	Lim .....	D23/364
D752,732 S *	3/2016	Ansley .....	D23/366
D773,704 S *	12/2016	Pardo .....	D26/41
D803,369 S *	11/2017	Kim .....	D23/364

D804,002 S *	11/2017	Huang .....	D23/364
D806,843 S *	1/2018	McDonnell .....	D23/355
D810,265 S *	2/2018	Chen .....	D23/366

OTHER PUBLICATIONS

Molekule Air Purifier found online—[Feb. 22, 2018]—[https://molekule.com/?utm\\_source=google\\_search&utm\\_medium=rt&utm\\_campaign=brand&utm\\_term=molekule&utm\\_content=bmm\\_2&gclid=EAlalQobChM15ufdtbK62QlViYjlCh3d8gvIEAAYASAAEgJcdPD\\_BwE.\\*](https://molekule.com/?utm_source=google_search&utm_medium=rt&utm_campaign=brand&utm_term=molekule&utm_content=bmm_2&gclid=EAlalQobChM15ufdtbK62QlViYjlCh3d8gvIEAAYASAAEgJcdPD_BwE.*)

\* cited by examiner

*Primary Examiner* — Brandon M Rosati

*Assistant Examiner* — John A Voytek

(74) *Attorney, Agent, or Firm* — Jeffrey Schox; Diana Lin

(57) **CLAIM**

We claim the ornamental design for an air purifier, as shown and described.

**DESCRIPTION**

FIG. 1 is an isometric view from the top right of the air purifier.

FIG. 2 is an isometric view from the bottom left of the air purifier.

FIG. 3 is an elevation view from the front of the air purifier.

FIG. 4 is an elevation view from the back of the air purifier.

FIG. 5 is an elevation view from the right side of the air purifier.

FIG. 6 is an elevation view from the left side of the air purifier.

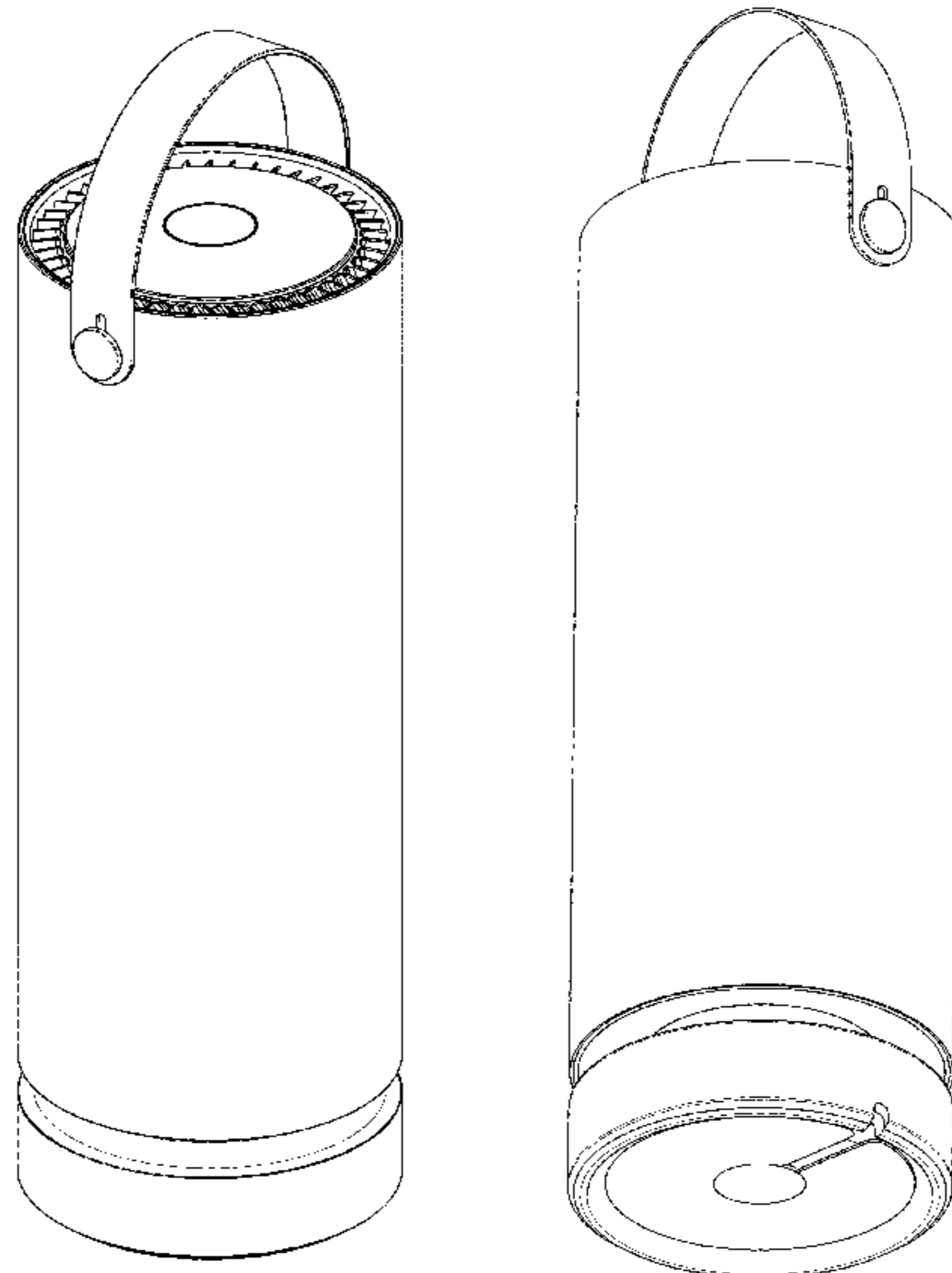
FIG. 7 is a plan view from the top of the air purifier.

FIG. 8 is a plan view from the bottom of the air purifier; and,

FIG. 9 is a cross sectional elevation view of the air purifier for illustration purposes.

In the drawings, the broken lines depict environmental subject matter only and form no part of the claimed design.

**1 Claim, 8 Drawing Sheets**



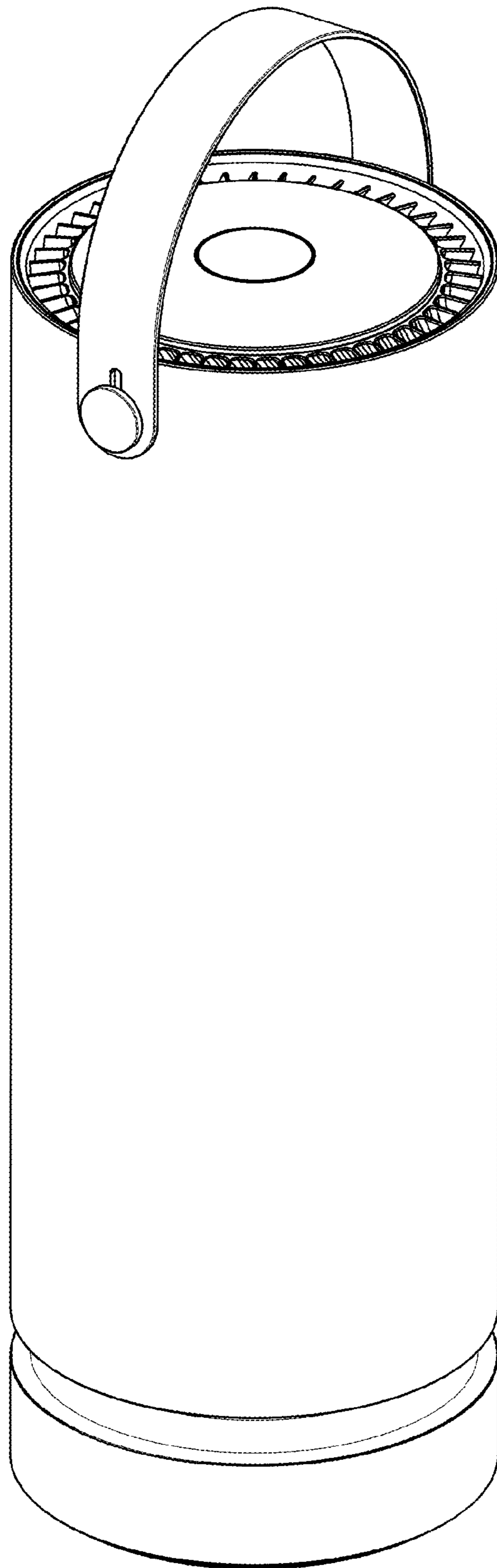


FIG. 1

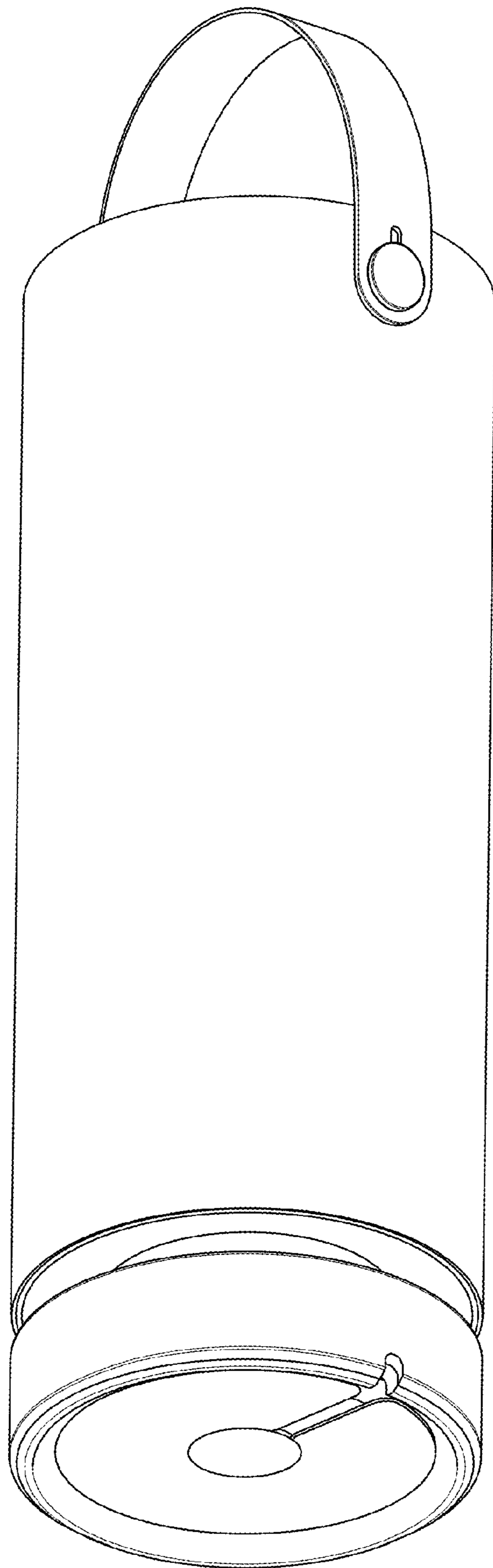


FIG. 2

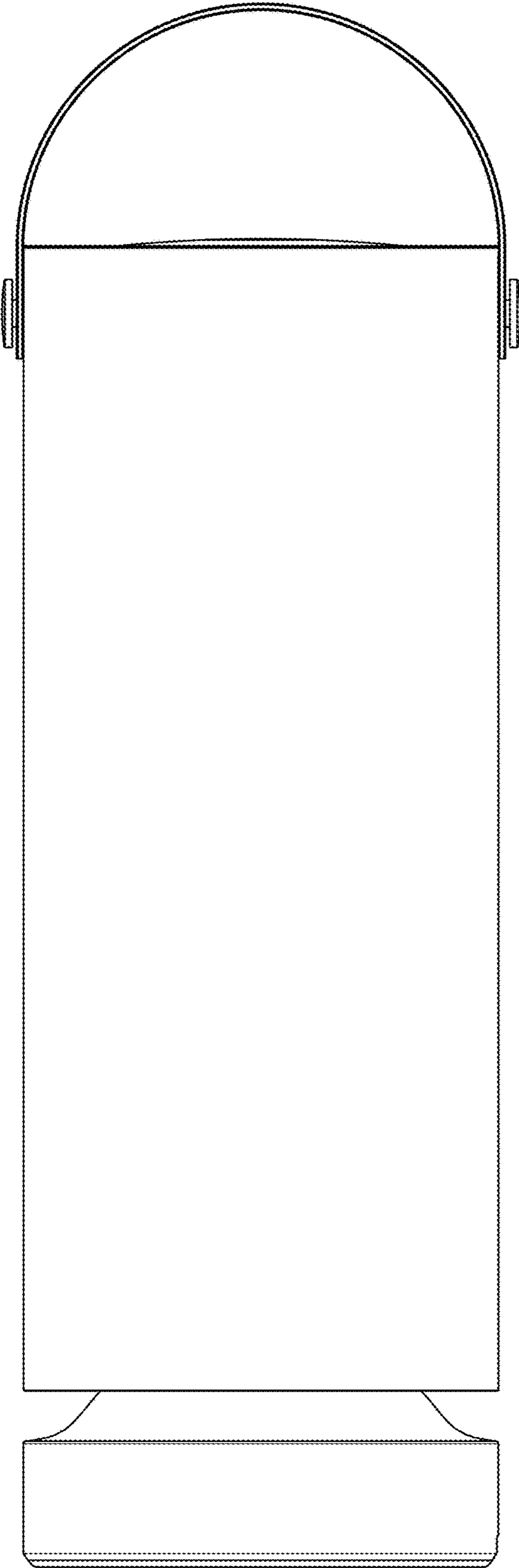


FIG. 3

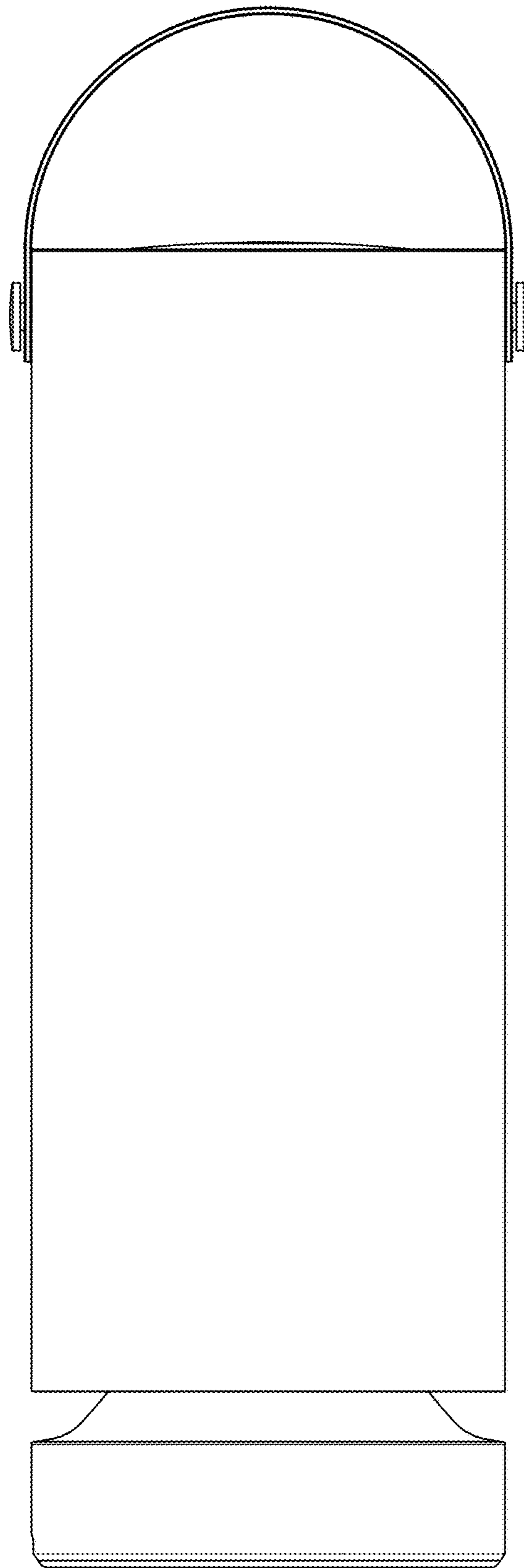


FIG. 4

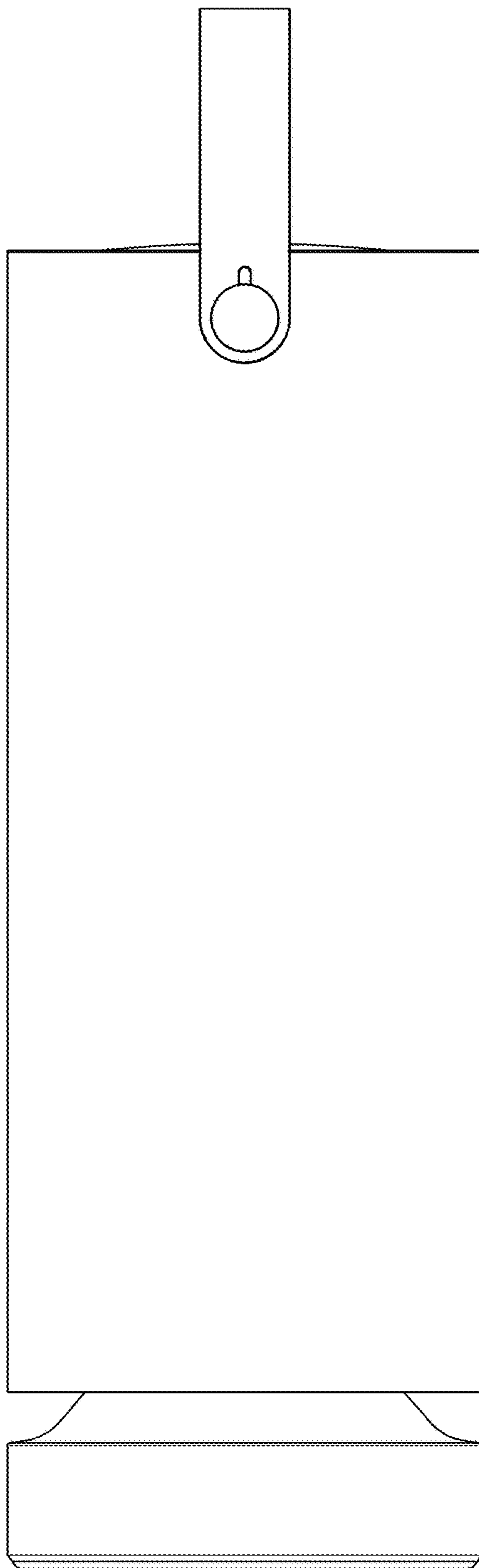


FIG. 5

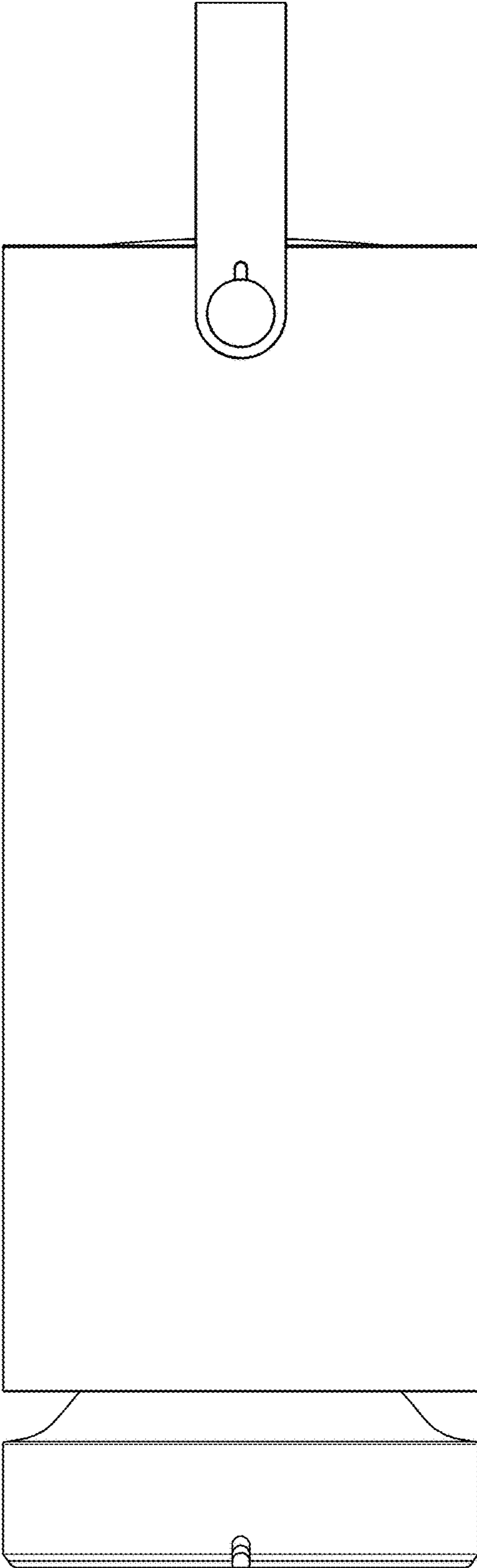


FIG. 6



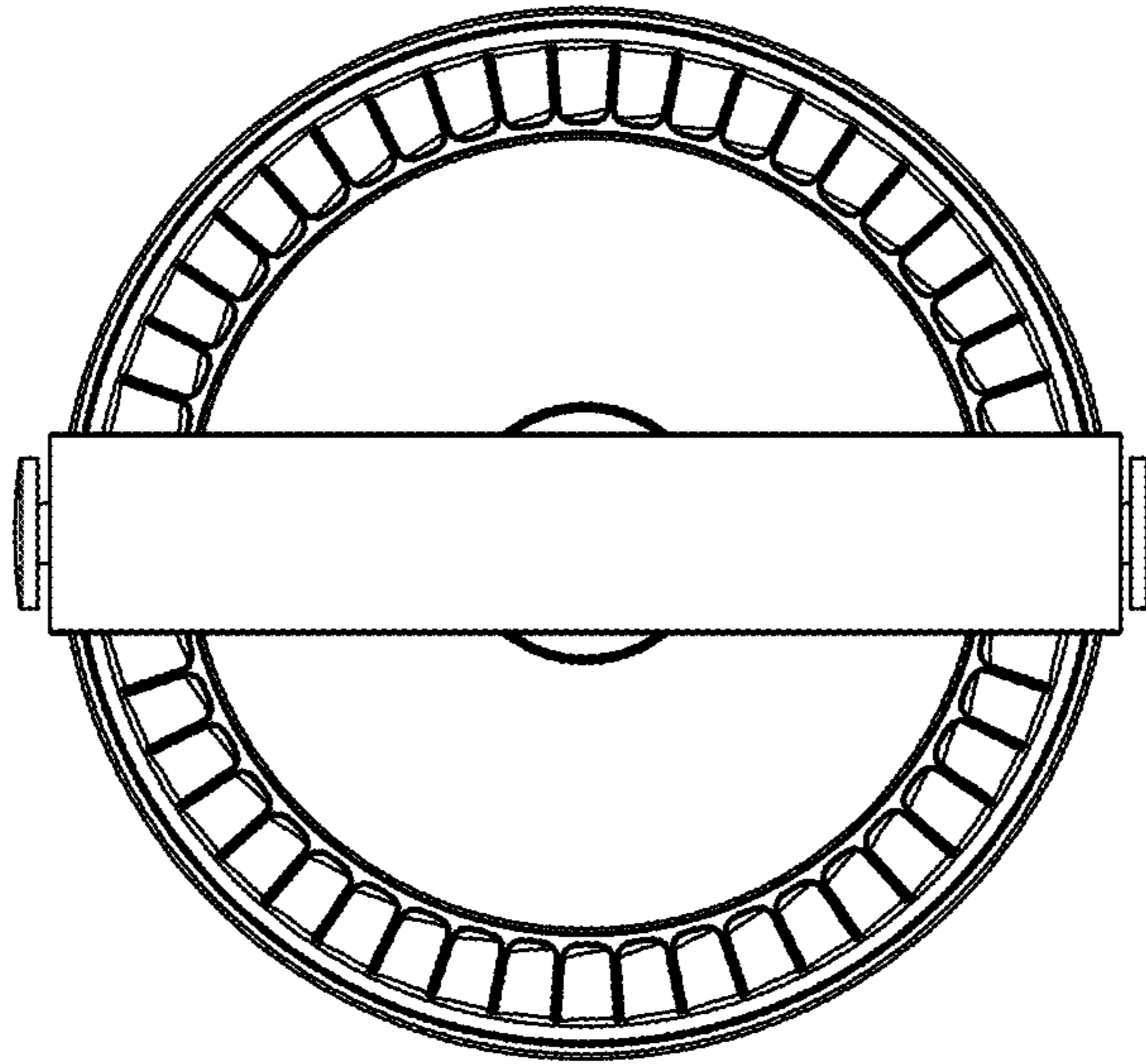


FIG. 7

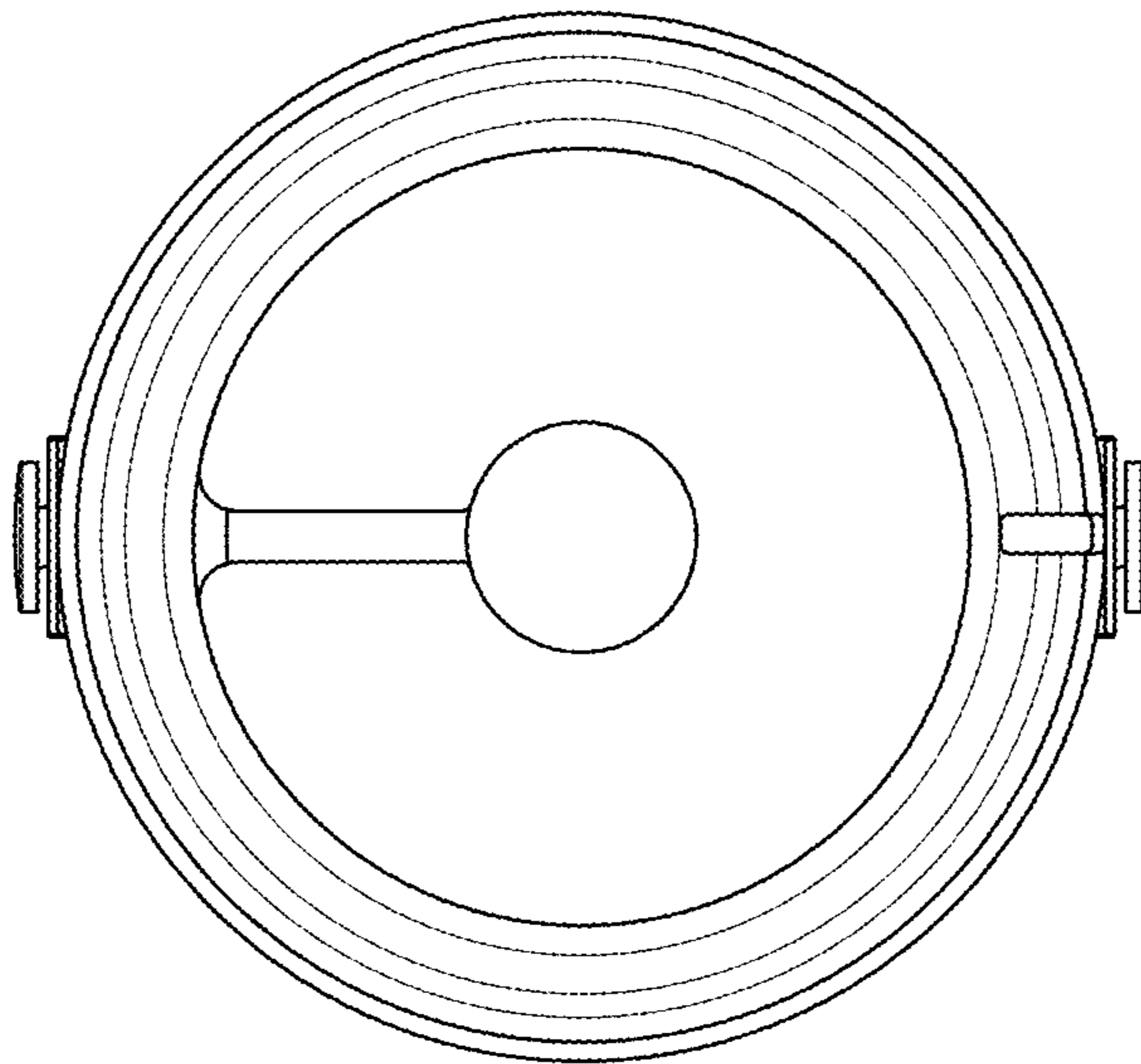


FIG. 8



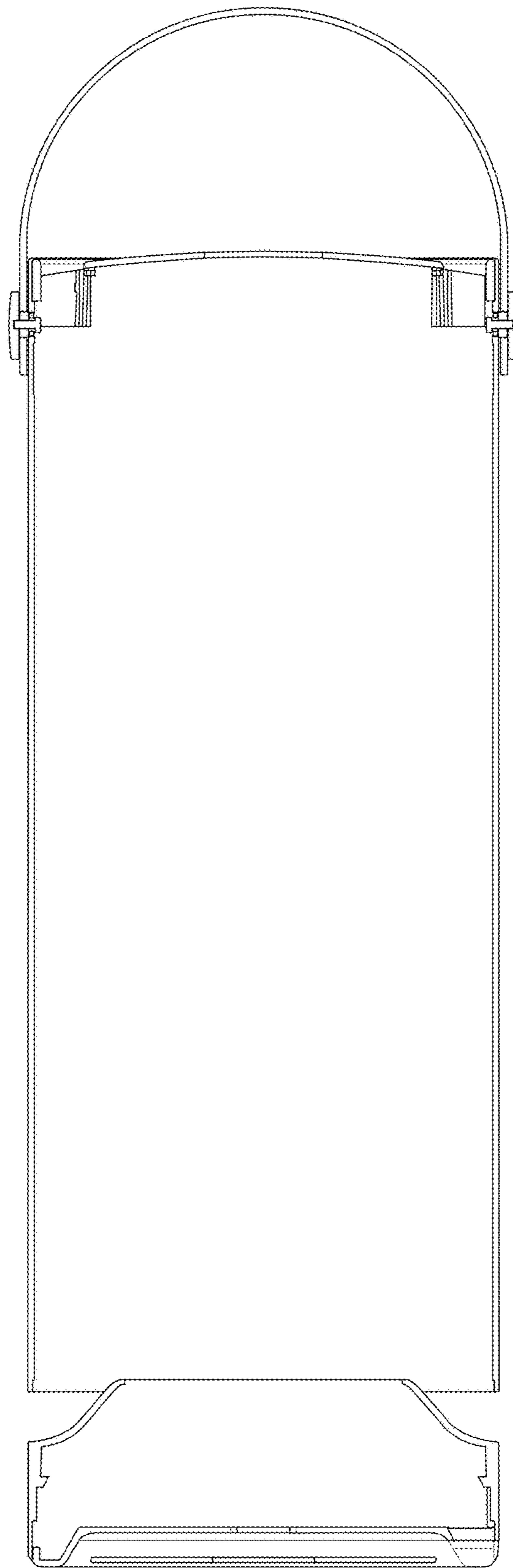


FIG. 9