



US00D829310S

(12) **United States Design Patent** (10) **Patent No.:** **US D829,310 S**  
**Stevenson et al.** (45) **Date of Patent:** **\*\* Sep. 25, 2018**

(54) **TOILET**  
(71) Applicant: **Kohler Mira Limited**, Gloucestershire (GB)  
(72) Inventors: **Robert Karl Stevenson**, London (GB); **Alexander Muspratt-Williams**, London (GB); **Mathias Hahn**, London (GB)  
(73) Assignee: **KOHLER MIRA LIMITED** (GB)  
(\*\*) Term: **15 Years**  
(21) Appl. No.: **29/618,821**  
(22) Filed: **Sep. 25, 2017**

D412,742 S 8/1999 Soulier  
D414,851 S \* 10/1999 Tani ..... D23/295  
D455,202 S 4/2002 Soulier  
D455,477 S 4/2002 Soulier  
D496,444 S 9/2004 Kergoet  
D536,428 S 2/2007 Kohler, Jr. et al.  
D536,771 S 2/2007 Chenesseau  
D592,293 S 5/2009 Maruhashi  
D606,178 S \* 12/2009 Cummings ..... D23/295  
D606,179 S \* 12/2009 Cummings ..... D23/295  
D612,026 S 3/2010 Soulier  
D613,836 S 4/2010 Soulier  
D637,702 S 5/2011 Rexach  
D646,366 S \* 10/2011 Palomba ..... D23/301  
D693,910 S 11/2013 Bates  
D694,379 S 11/2013 Bates  
D798,424 S \* 9/2017 Mesun ..... D23/301  
D801,490 S \* 10/2017 Stevenson ..... D23/295

(Continued)

**Related U.S. Application Data**

(62) Division of application No. 29/566,250, filed on May 27, 2016, now Pat. No. Des. 801,490.  
(51) **LOC (11) Cl.** ..... **23-02**  
(52) **U.S. Cl.**  
USPC ..... **D23/309**  
(58) **Field of Classification Search**  
USPC ..... D23/295-301, 303, 309, 313  
CPC ..... A47K 11/02; A47K 11/026; A47K 11/00;  
A47K 13/00; E03D 11/18; E03D 5/10;  
E03D 13/00  
See application file for complete search history.

*Primary Examiner* — Brandon M Rosati  
*Assistant Examiner* — John A Voytek  
(74) *Attorney, Agent, or Firm* — Foley & Lardner LLP

(57) **CLAIM**

We claim the ornamental design for a toilet, as shown and described.

**DESCRIPTION**

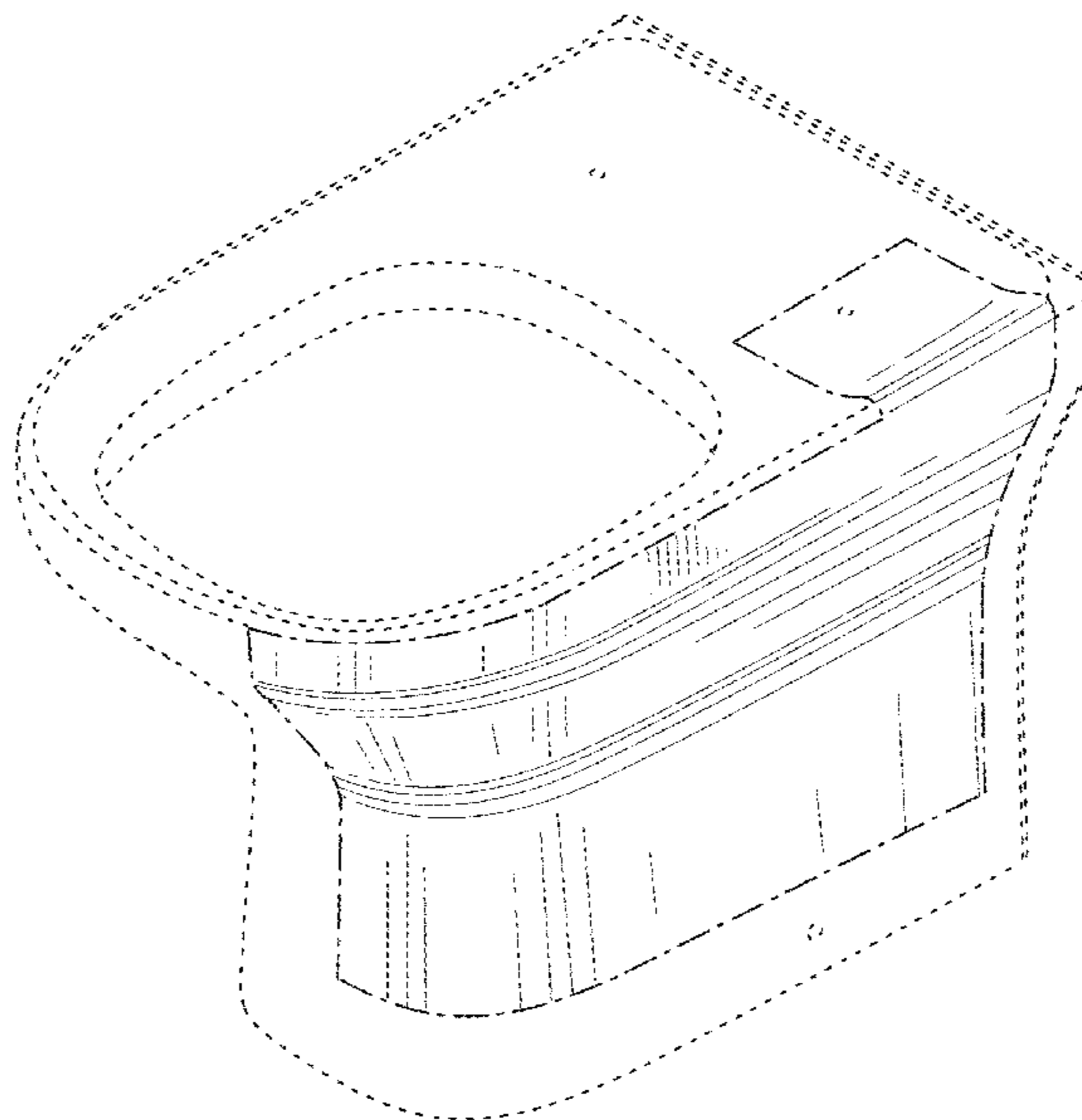
FIG. 1 is a perspective view of a toilet;  
FIG. 2 is a front view of the toilet shown in FIG. 1;  
FIG. 3 is a rear view of the toilet shown in FIG. 1;  
FIG. 4 is a side view of the toilet shown in FIG. 1;  
FIG. 5 is another side view of the toilet shown in FIG. 1;  
FIG. 6 is a top view of the toilet shown in FIG. 1; and,  
FIG. 7 is a bottom view of the toilet shown in FIG. 1,  
In the drawings, the broken lines depict environmental subject matter only and form no part of the claimed design. The dot and dashed lines indicate a boundary between the claimed and unclaimed portion of the design.

**1 Claim, 5 Drawing Sheets**

(56) **References Cited**

**U.S. PATENT DOCUMENTS**

D309,939 S 8/1990 Yvetot  
D311,242 S 10/1990 Reid  
D332,137 S 12/1992 Kohler, Jr. et al.  
D349,156 S 7/1994 Kohler, Jr. et al.  
D352,772 S 11/1994 Kohler, Jr. et al.  
D393,309 S \* 4/1998 Tani ..... D23/301  
D398,383 S 9/1998 Kergoet



(56)

**References Cited**

U.S. PATENT DOCUMENTS

D802,105 S \* 11/2017 Stevenson ..... D23/301  
D802,106 S \* 11/2017 Stevenson ..... D23/301

\* cited by examiner

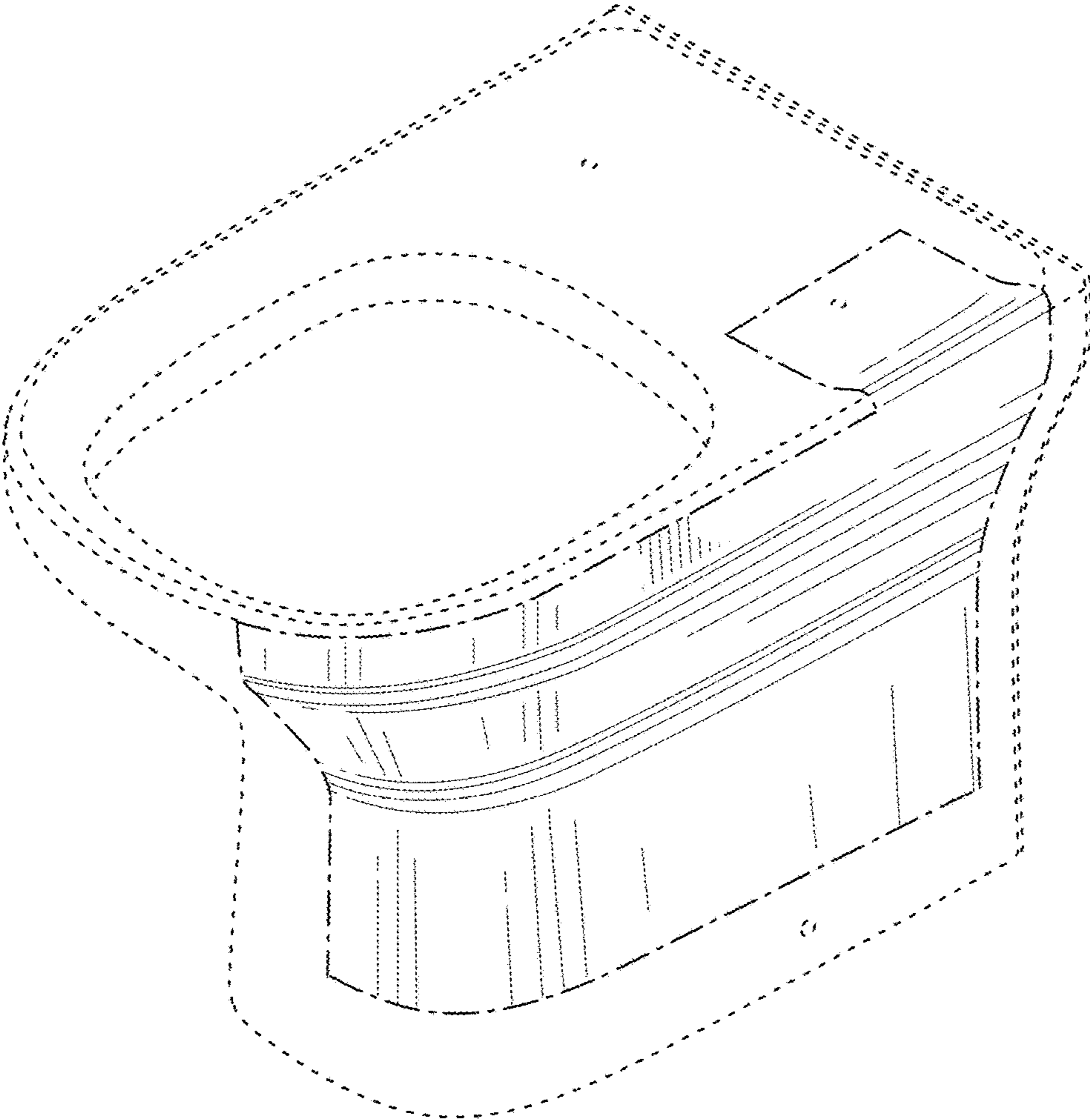


FIG. 1

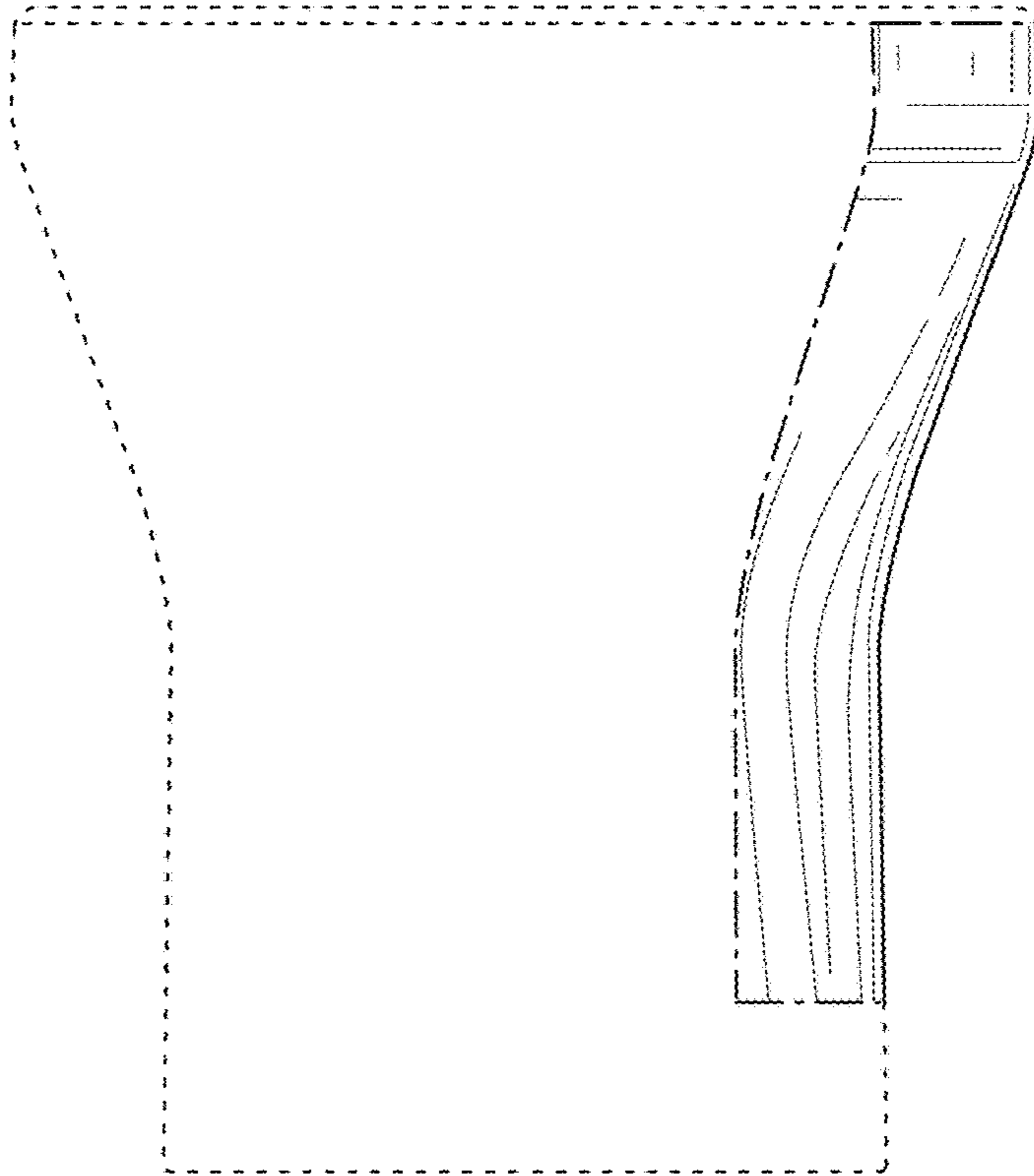


FIG. 2

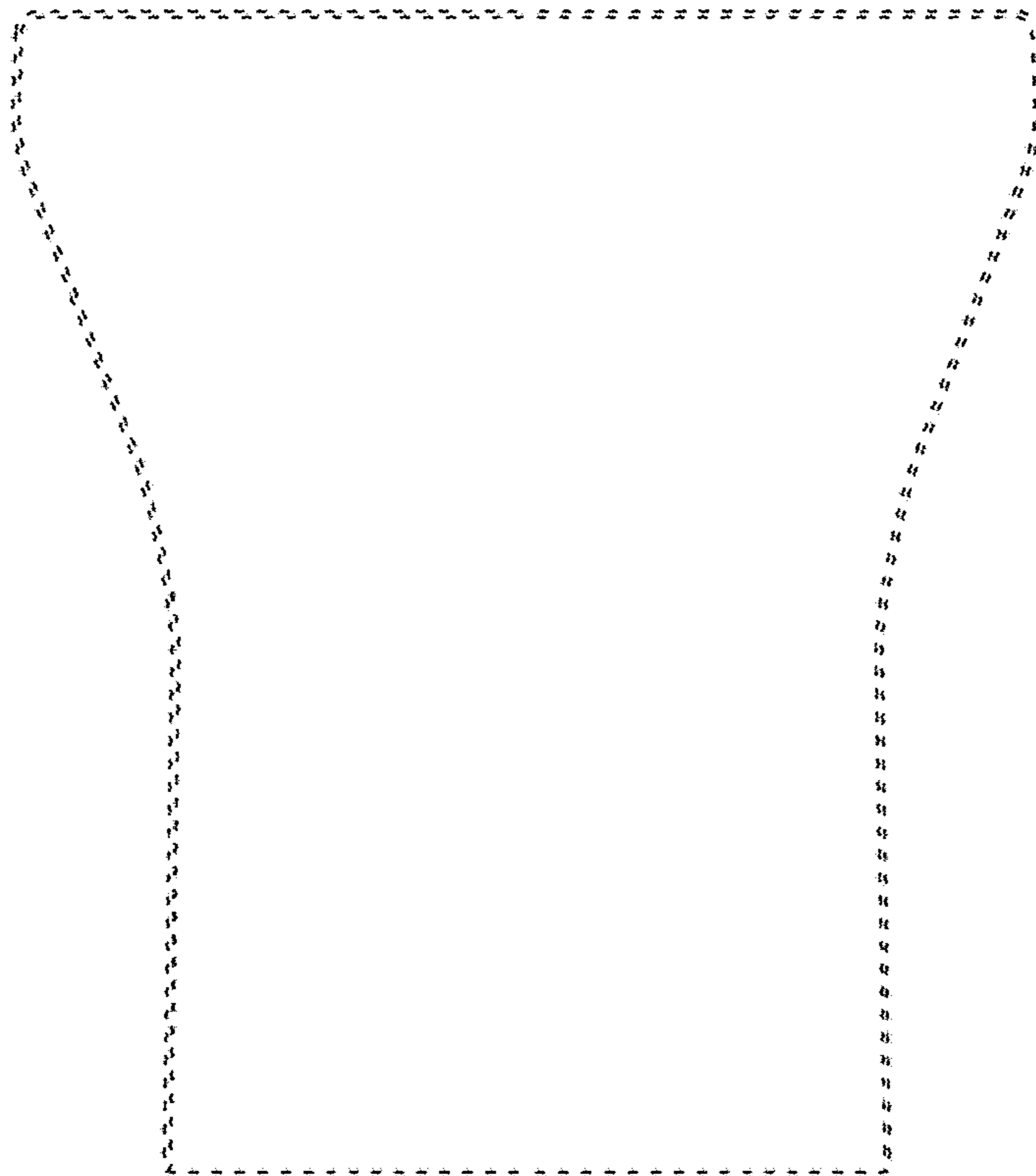


FIG. 3

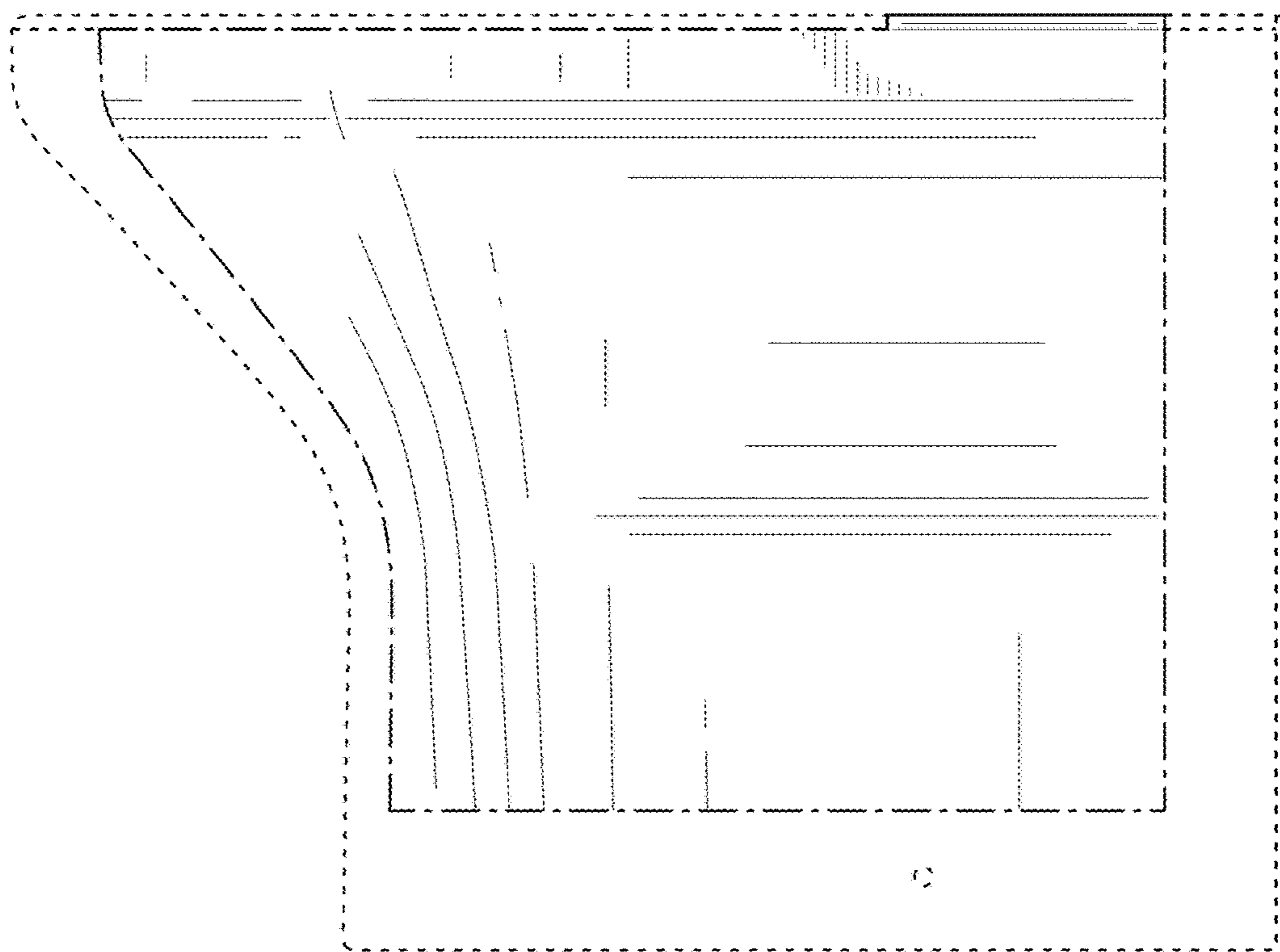


FIG. 4

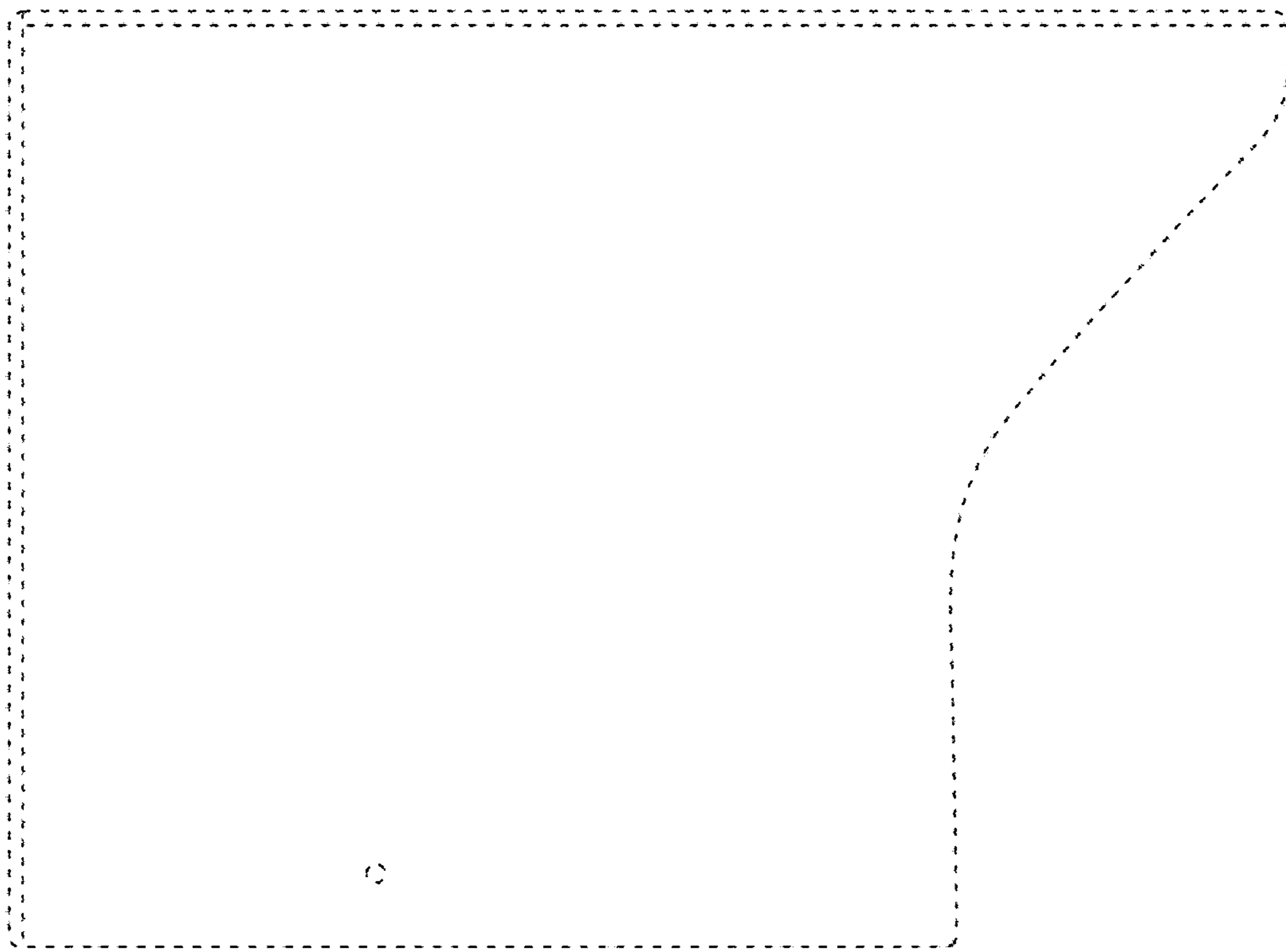


FIG. 5

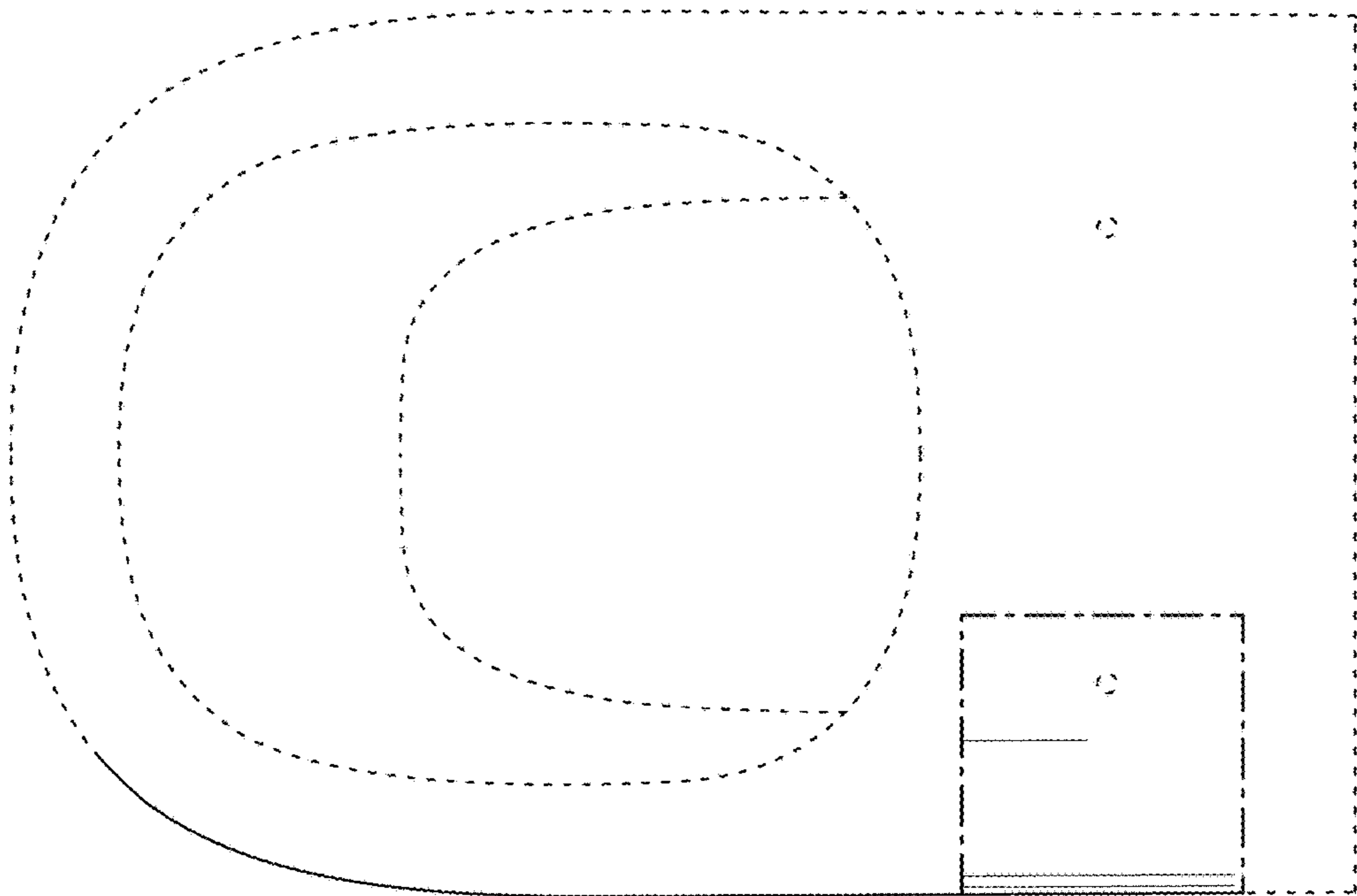


FIG. 6

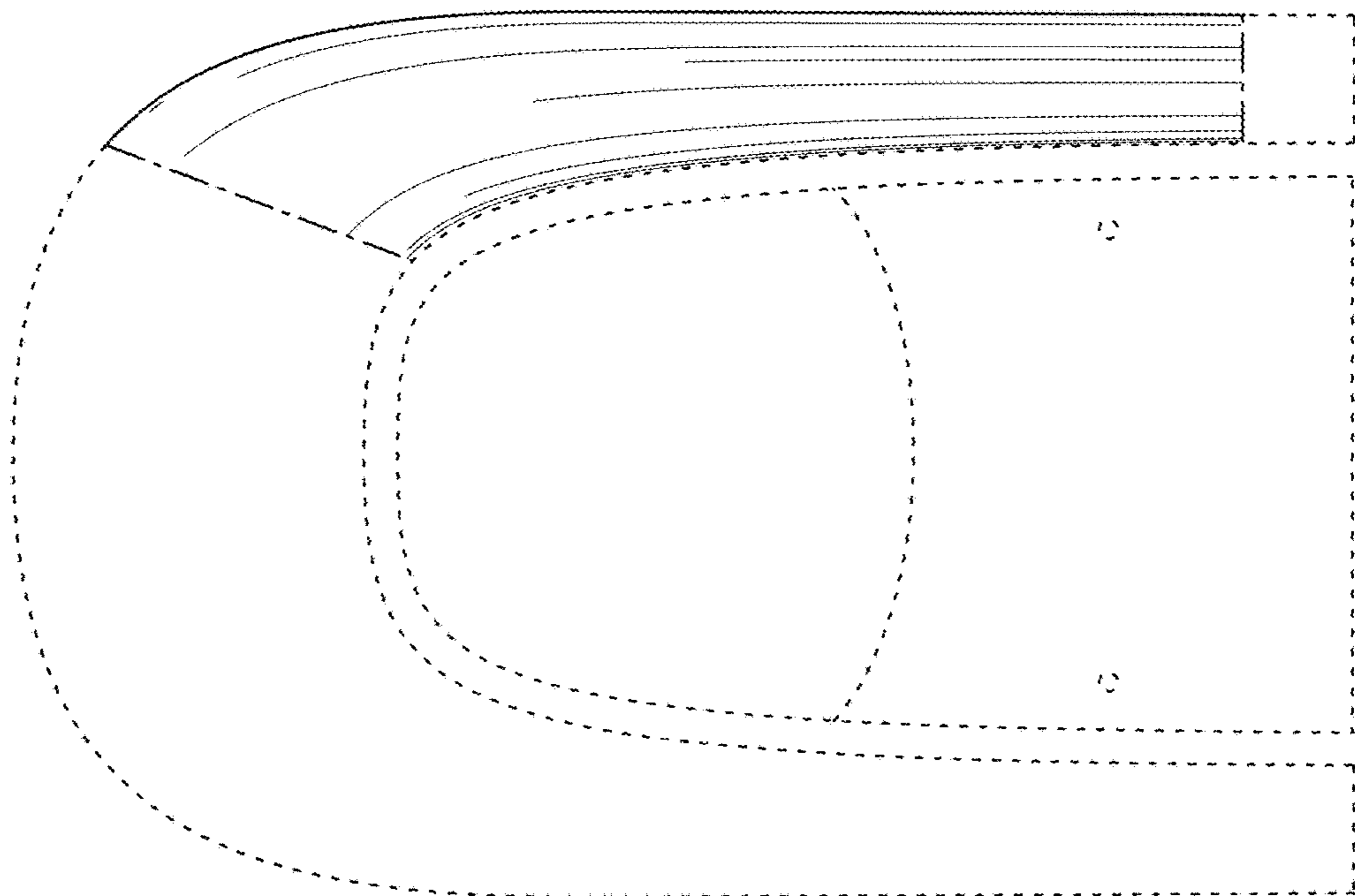


FIG. 7