



US00D829305S

(12) **United States Design Patent**
Wang et al.

(10) **Patent No.:** **US D829,305 S**

(45) **Date of Patent:** **** Sep. 25, 2018**

(54) **WATER PURIFYING TAP**

(71) Applicant: **XIAMEN SOLEX HIGH-TECH INDUSTRIES CO., LTD.**, Xiamen, Fujian (CN)

(72) Inventors: **Min Wang**, Fujian (CN); **Zhining Zhao**, Fujian (CN); **Zhida Chen**, Fujian (CN)

(73) Assignee: **XIAMEN SOLEX HIGH-TECH INDUSTRIES CO., LTD.**, Xiamen (CN)

(**) Term: **15 Years**

(21) Appl. No.: **29/587,114**

(22) Filed: **Dec. 9, 2016**

(30) **Foreign Application Priority Data**

Jul. 1, 2016 (CN) 2016 3 0298687

(51) **LOC (11) Cl.** **23-02**

(52) **U.S. Cl.**
USPC **D23/255**

(58) **Field of Classification Search**
USPC D23/237, 238, 240–243, 249, 254, 255, D23/257; D6/524
CPC E03C 1/0401; E03C 1/04; E03C 1/0402; E03C 1/0404; B25B 23/16; C02F 1/50; A47K 5/14; Y10T 137/9464
See application file for complete search history.

(56) **References Cited**

U.S. PATENT DOCUMENTS

D767,102 S * 9/2016 Schoenherr D23/257
D797,900 S * 9/2017 Ogata D23/255

D800,876 S * 10/2017 Chen D23/255
2016/0032572 A1 * 2/2016 Chen E03C 1/057
137/78.1
2017/0191248 A1 * 7/2017 Lin E03B 1/048
2017/0328044 A1 * 11/2017 Wang E03C 1/0404

OTHER PUBLICATIONS

(Xiamen Solex) Purigo kitchen faucet reference found online [Nov. 27, 2017]—<https://red-dot-21.com/p/design-products/kitchen/sinks-tabs/purigo/>.*

* cited by examiner

Primary Examiner — Brandon M Rosati

Assistant Examiner — John A Voytek

(74) *Attorney, Agent, or Firm* — Rabin & Berdo, P.C.

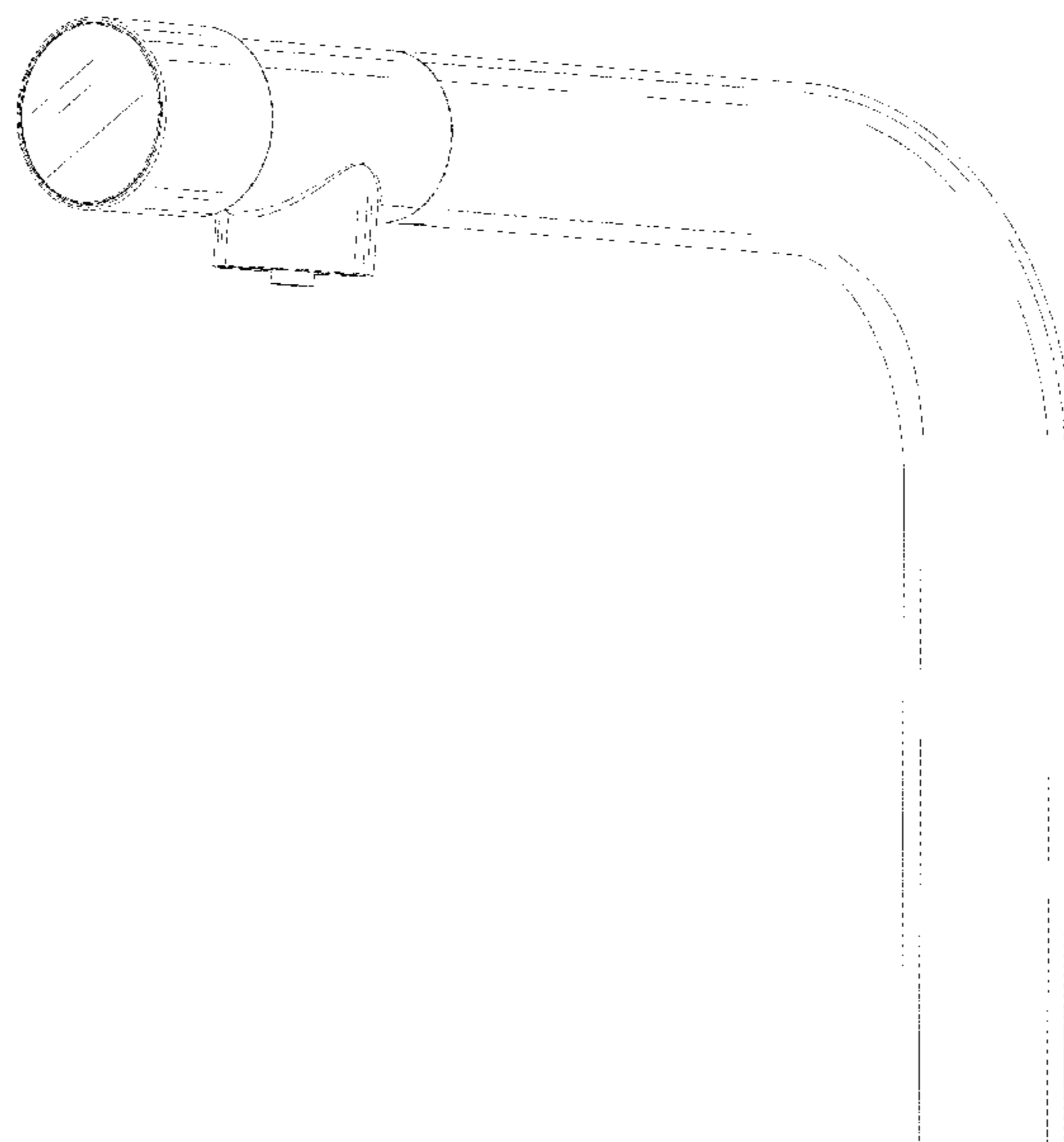
(57) **CLAIM**

The ornamental design for a water purifying tap, as shown.

DESCRIPTION

FIG. 1. is a front view of a water purifying tap showing my new design thereof;
FIG. 2. is a rear side view thereof;
FIG. 3. is a left side view thereof;
FIG. 4. is a right side view thereof;
FIG. 5. is a top plan view thereof,
FIG. 6. is a bottom plan view thereof; and,
FIG. 7. is a perspective view thereof.
The broken lines shown in the drawings are for illustrative purpose and form no part of the claimed design.

1 Claim, 7 Drawing Sheets



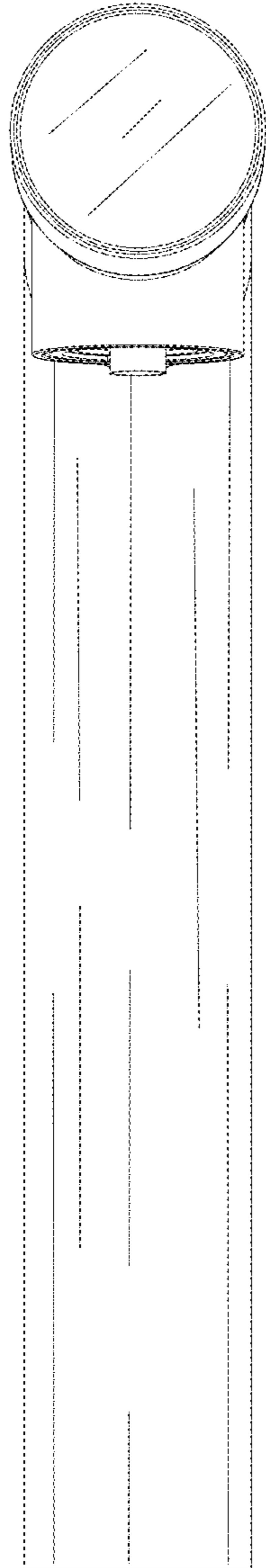


Fig. 1

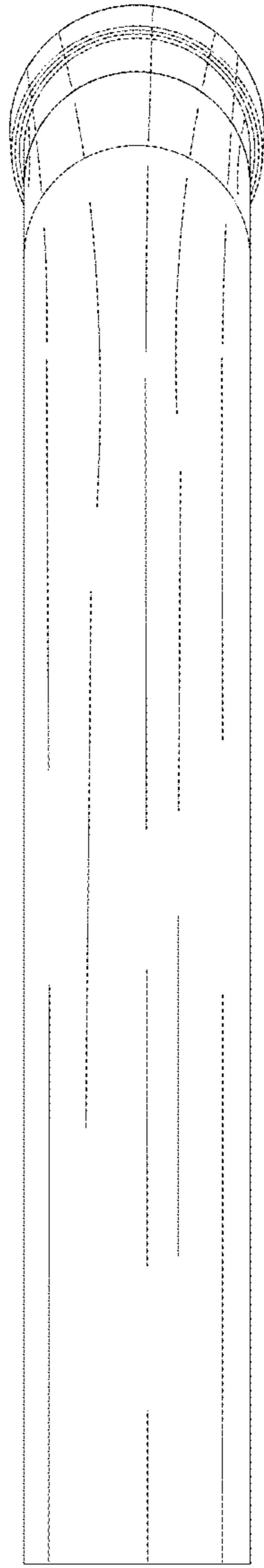


Fig. 2

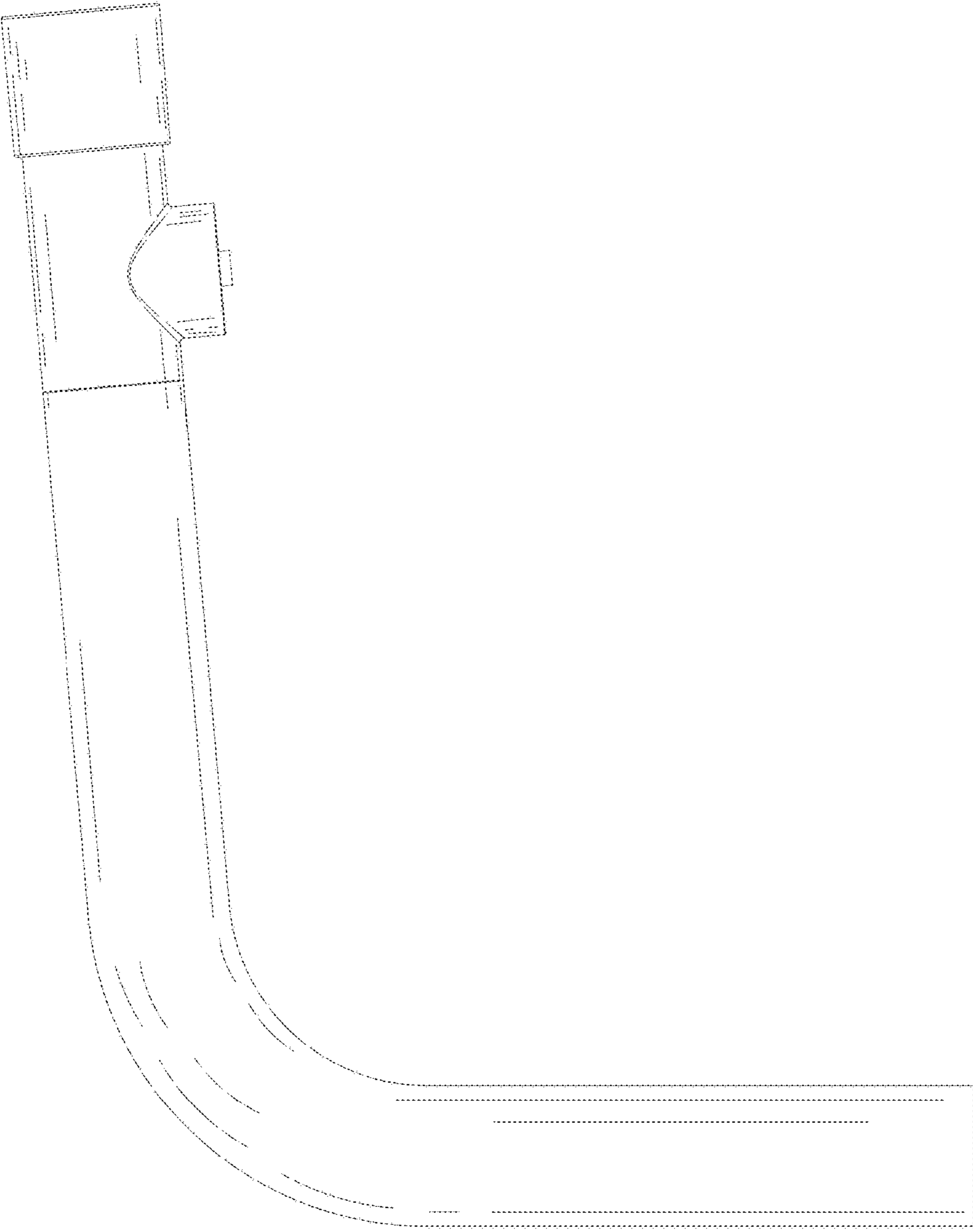


Fig. 3



Fig. 4

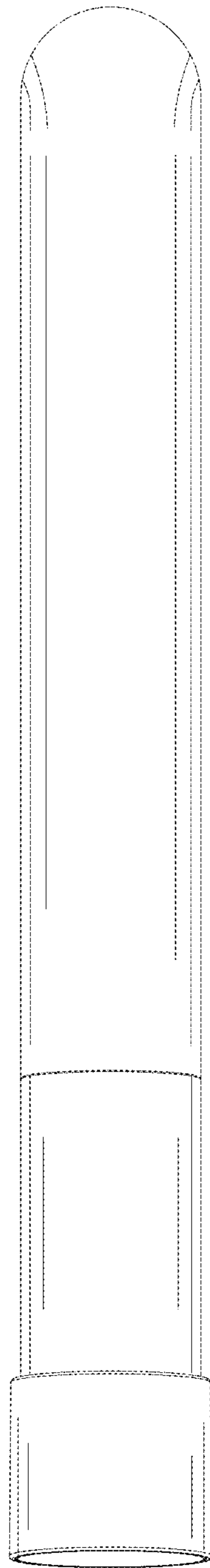


Fig. 5

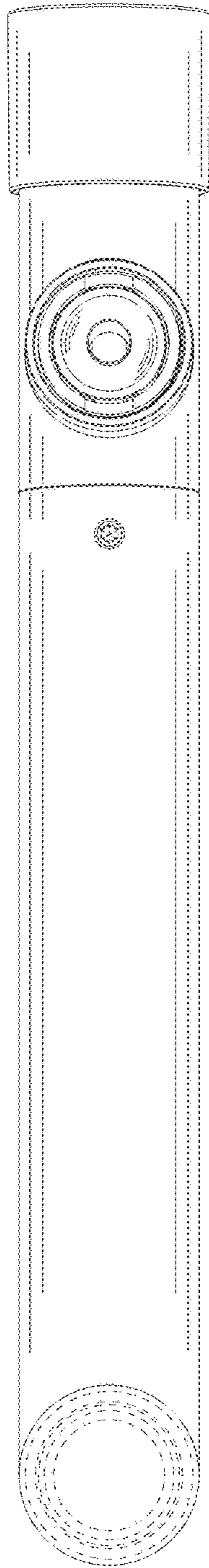


Fig. 6

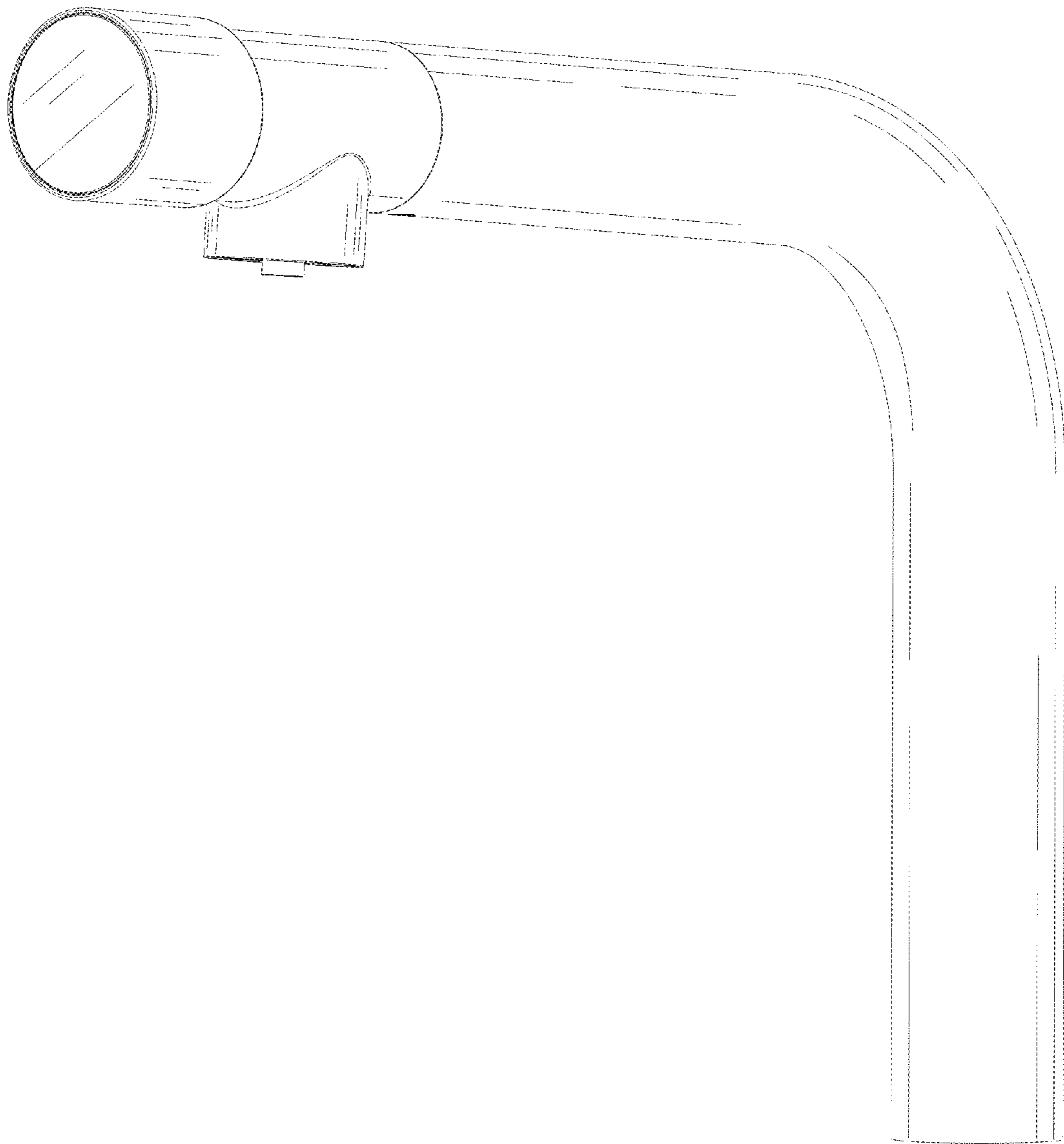


Fig. 7