



US00D829304S

(12) **United States Design Patent** (10) **Patent No.:** **US D829,304 S**
McLauchlan et al. (45) **Date of Patent:** **** Sep. 25, 2018**

(54) **VALVE CARRIAGE**

FOREIGN PATENT DOCUMENTS

(71) Applicant: **EATON CORPORATION**, Cleveland, OH (US)

CN 101949466 B 4/2014
EP 0713036 A1 5/1996

(Continued)

(72) Inventors: **Raymond Bruce McLauchlan**, Macomb Township, MI (US); **Vaughn Mills**, Chelsea, MI (US); **Ronald Sexton**, South Lyon, MI (US); **Steven Lee Ambrose**, Farmington Hills, MI (US); **Robert Dean Keller**, Davisburg, MI (US); **Daniel Lee Pifer**, Chelsea, MI (US)

OTHER PUBLICATIONS

Yojiro Iriyama, Masahide Kobayashi, Takuji Matsubara, Yuusaku Nishimura, Ryosuke Nomura, and Takashi Ishikawa, "Design of a Fuel Vapor-containment System (FVS) to Meet Zero Evaporative Emissions Requirements in a Hybrid Electric Vehicle", SAE international, 2005-01-3825, 2005, pp. 1-8.

(Continued)

(73) Assignee: **Eaton Intelligent Power Limited**, Dublin (IE)

Primary Examiner — Cynthia Ramirez

(**) Term: **15 Years**

(74) *Attorney, Agent, or Firm* — Mei & Mark, LLP

(21) Appl. No.: **29/554,814**

(22) Filed: **Feb. 16, 2016**

(57) **CLAIM**

Related U.S. Application Data

The ornamental design for a valve carriage, as shown and described herein.

(60) Continuation-in-part of application No. 14/757,367, filed on Dec. 22, 2015, which is a (Continued)

(51) **LOC (11) Cl.** **23-01**

DESCRIPTION

(52) **U.S. Cl.**
USPC **D23/233**

(58) **Field of Classification Search**
USPC D23/233-237, 244-249; 192/87.13, 3.57, 192/87.18; 251/129.01, 137, 282, 251/324-325, 321, 355, 129.08, 129.07; 137/398, 545, 547, 549, 556.3, 553, 137/556.6, 625.65, 625.25
(Continued)

FIG. 1 is a right side view of a valve carriage showing our new design;
FIG. 2 is a left side view of the valve carriage.
FIG. 3 is a top view of the valve carriage.
FIG. 4 is a bottom view of the valve carriage.
FIG. 5 is a front view of the valve carriage.
FIG. 6 is a rear view of the valve carriage.
FIG. 7 is a top right rear perspective view of the valve carriage; and,
FIG. 8 is a bottom left front perspective view of the valve carriage.

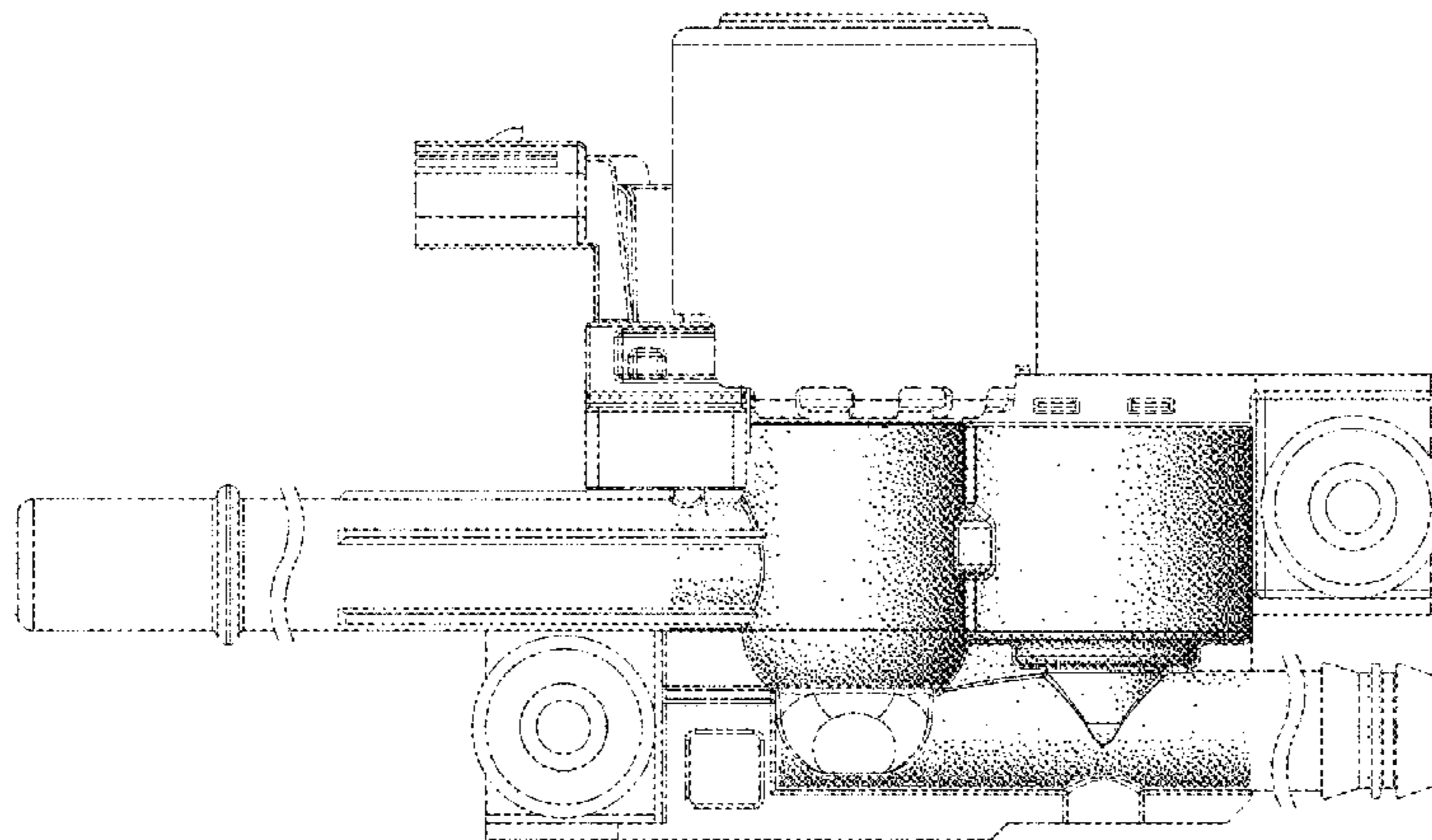
(56) **References Cited**

U.S. PATENT DOCUMENTS

4,192,346 A 3/1980 Iizumi
4,227,674 A 10/1980 Grant, Jr.
(Continued)

The broken lines showing portions of the valve carriage form no part of the claimed design.

1 Claim, 6 Drawing Sheets



Related U.S. Application Data

continuation-in-part of application No. 14/575,352, filed on Dec. 18, 2014, now Pat. No. 9,371,803, which is a continuation-in-part of application No. 14/043,157, filed on Oct. 1, 2013, now Pat. No. 8,944,101, which is a continuation-in-part of application No. 13/011,676, filed on Jan. 21, 2011, now Pat. No. 8,573,255, which is a continuation-in-part of application No. 12/749,924, filed on Mar. 30, 2010, now Pat. No. 8,584,704, application No. 29/554,814, which is a continuation-in-part of application No. 29/521,331, filed on Mar. 23, 2015, now Pat. No. Des. 750,746, which is a division of application No. 29/486,902, filed on Apr. 3, 2014, now Pat. No. Des. 728,747, which is a division of application No. 29/412,051, filed on Jan. 30, 2012, now Pat. No. Des. 706,390, which is a continuation-in-part of application No. 29/404,911, filed on Oct. 26, 2011, now Pat. No. Des. 706,389, which is a continuation-in-part of application No. 13/011,676, filed on Jan. 21, 2011, now Pat. No. 8,573,255.

(58) **Field of Classification Search**

CPC F16K 21/04; F16K 21/16; F16K 11/166; F16K 1/523

See application file for complete search history.

(56)

References Cited

U.S. PATENT DOCUMENTS

4,231,542	A	11/1980	Grenier
4,364,305	A	12/1982	Dalibout et al.
4,370,983	A	2/1983	Lichtenstein
4,685,156	A	8/1987	Brabazon
4,865,078	A	9/1989	Ensign
4,964,677	A	10/1990	Splinter
D314,229	S	1/1991	Nestich
5,048,790	A	9/1991	Wells
5,083,546	A	1/1992	Detweiler et al.
5,121,769	A	6/1992	McCabe et al.
5,211,151	A	5/1993	Nakajima et al.
5,218,995	A	6/1993	Lee
5,406,975	A	4/1995	Nakamichi et al.
5,605,177	A	2/1997	Ohashi et al.
5,967,183	A	10/1999	Detweiler et al.
5,996,603	A	12/1999	Dupler
6,526,951	B2	3/2003	Ishigaki et al.
D502,762	S	3/2005	Kriegshauser
6,910,745	B2	6/2005	Inage

7,152,587	B2	12/2006	Suzuki
7,267,113	B2	9/2007	Tsuge et al.
7,270,310	B2	9/2007	Takakura
7,347,192	B2	3/2008	Perry et al.
7,422,193	B2	9/2008	Sisk et al.
7,448,367	B1	11/2008	Reddy et al.
D585,959	S	2/2009	Caron et al.
7,591,281	B2	9/2009	Tsuge
D621,003	S	8/2010	Gramegna et al.
7,828,265	B2	11/2010	Sisk et al.
8,272,398	B2	9/2012	Erdmann
D686,699	S	7/2013	Evans et al.
8,573,255	B2	11/2013	Pifer et al.
8,584,704	B2	11/2013	Pifer et al.
D706,389	S	6/2014	McLauchlan et al.
D706,390	S	6/2014	McLauchlan et al.
8,763,635	B2	7/2014	Erdmann
8,944,100	B2	2/2015	Pifer et al.
8,944,101	B2	2/2015	Pifer et al.
D728,746	S	5/2015	McLauchlan et al.
D728,747	S	5/2015	McLauchlan et al.
D747,784	S	1/2016	McLauchlan et al.
9,371,803	B2	1/2016	Pifer et al.
D750,746	S	3/2016	McLauchlan et al.
2001/0017160	A1	8/2001	Ishigaki et al.
2005/0181647	A1	8/2005	Dehnen et al.
2005/0217734	A1	10/2005	Takakura
2006/0207663	A1	9/2006	Tsuge
2008/0042086	A1	2/2008	Sisk et al.
2010/0269921	A1	10/2010	Pifer et al.
2011/0240145	A1	10/2011	Pifer

FOREIGN PATENT DOCUMENTS

EP	2071217	A1	6/2009
JP	S593071	U	1/1984
JP	H01173579	U	12/1989
JP	H04105959	U	9/1992
JP	H0669544	U	9/1994
JP	H0771335	A	3/1995
JP	2001099015	A	4/2001
JP	3185943		5/2001
JP	2006258135	A	9/2006
JP	2008513651	A	5/2008
WO	0190611	A2	11/2001
WO	2006029537		3/2006

OTHER PUBLICATIONS

International Search Report and Written Opinion dated Jul. 6, 2012 for PCT application No. PCT/US2012/021876 filed Jan. 19, 2012, pp. 1-12.

International Search Report and Written Opinion issued in Application No. PCT/IB2012/000079, dated Jul. 26, 2012, pp. 1-13.

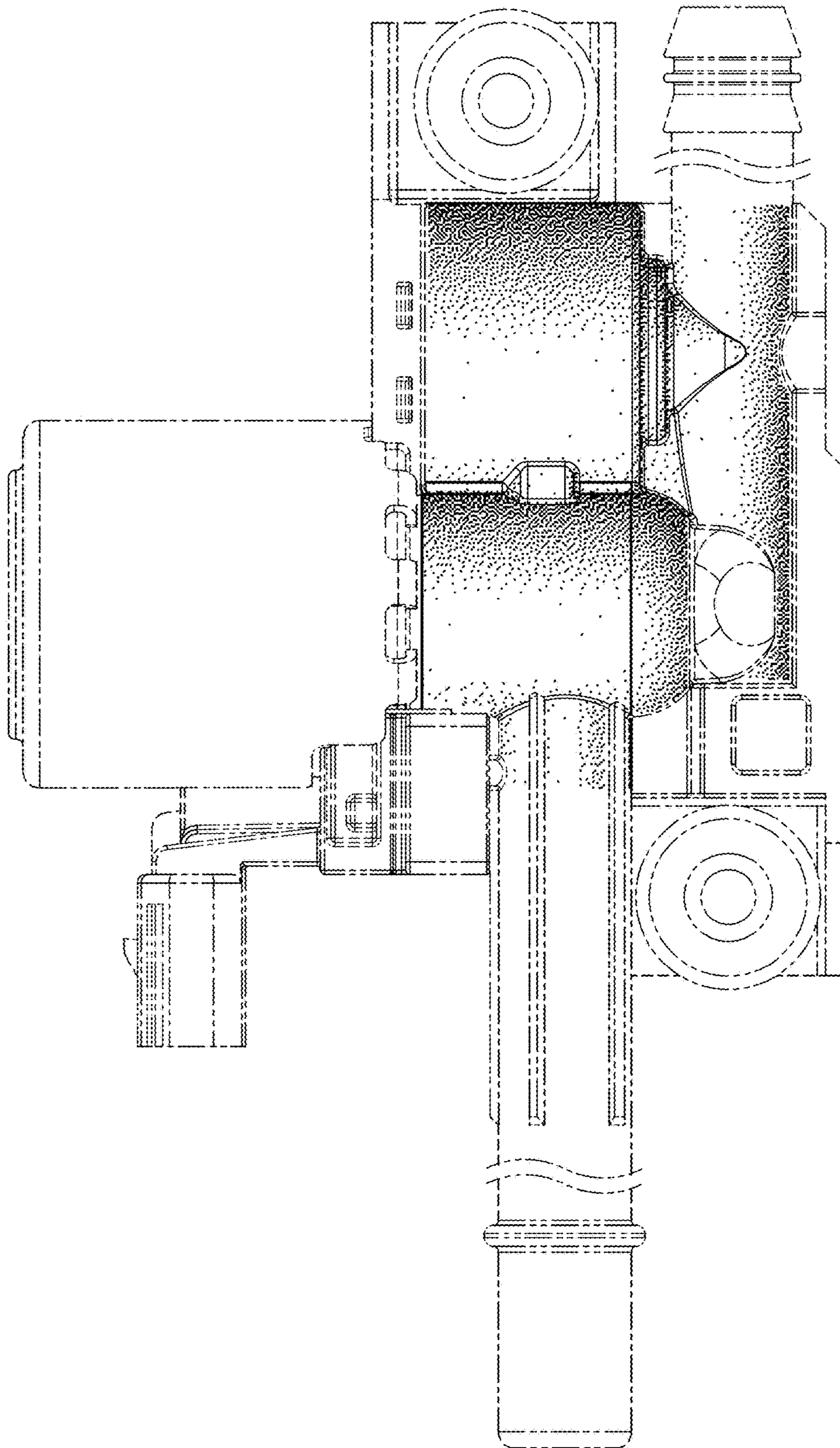


FIG. 1

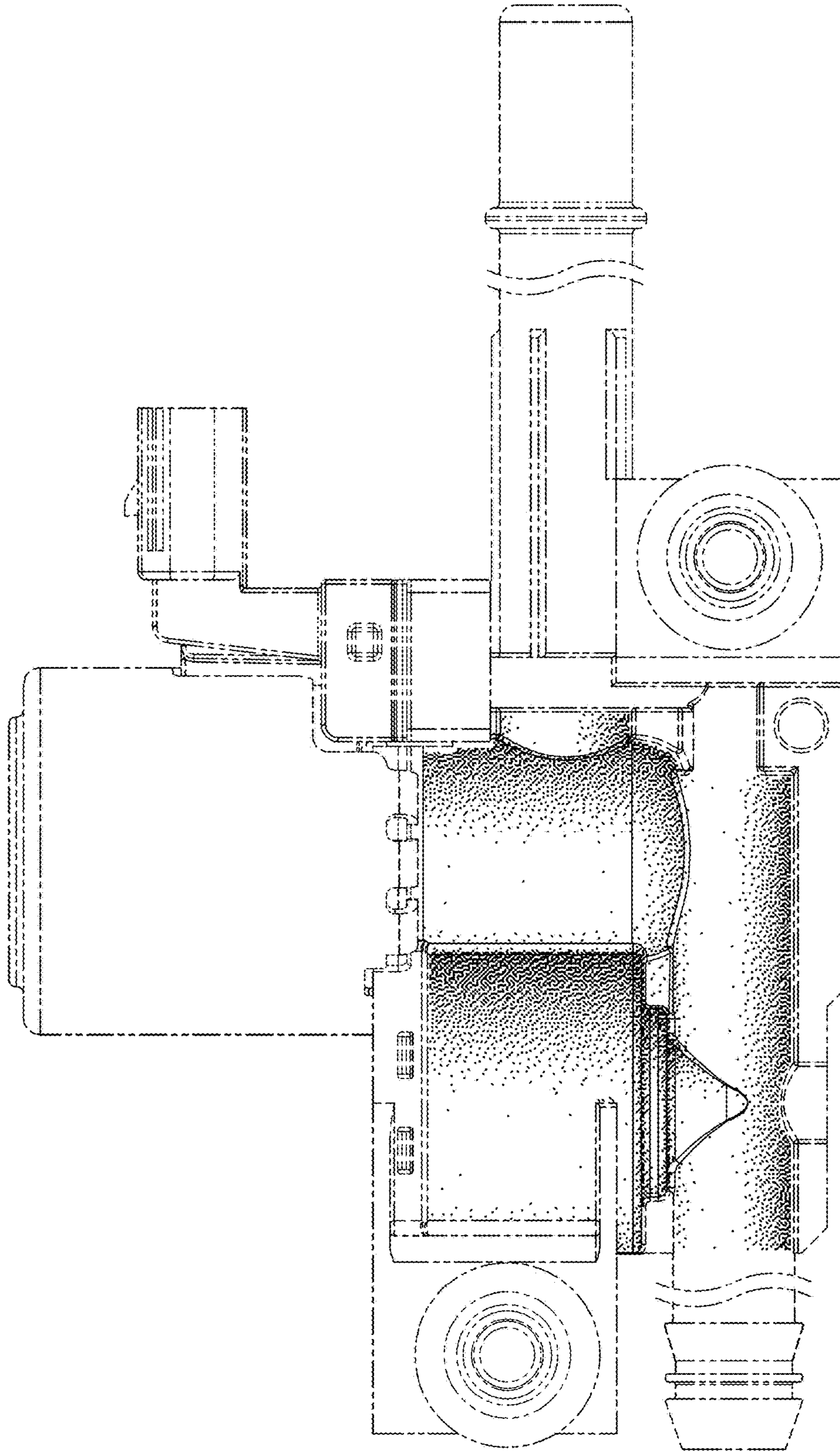


FIG. 2

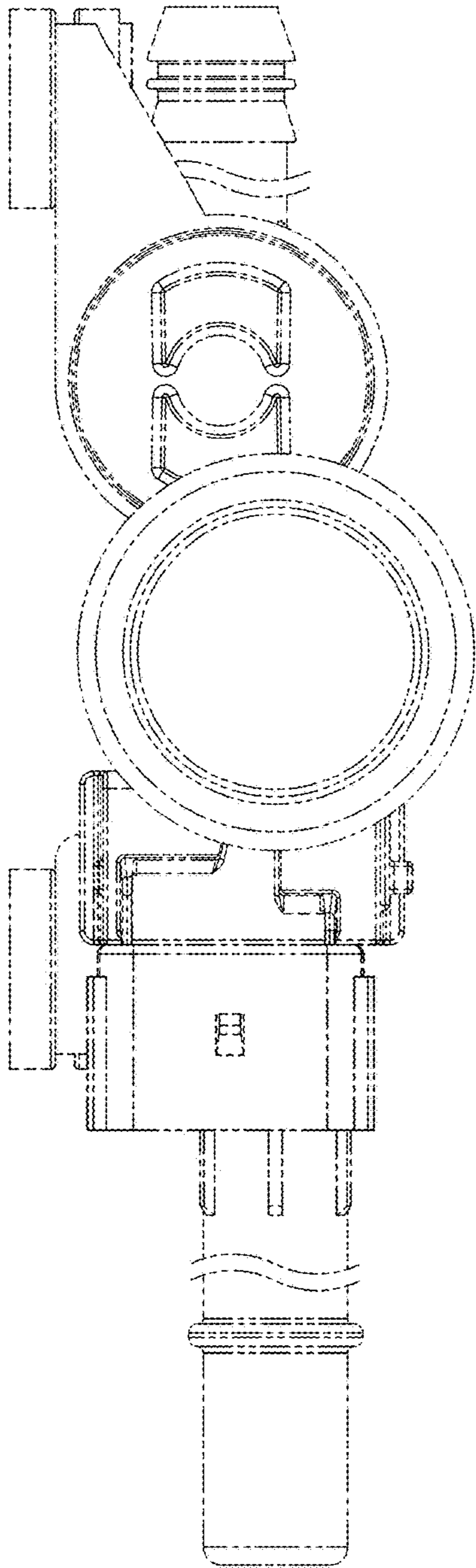


FIG. 3

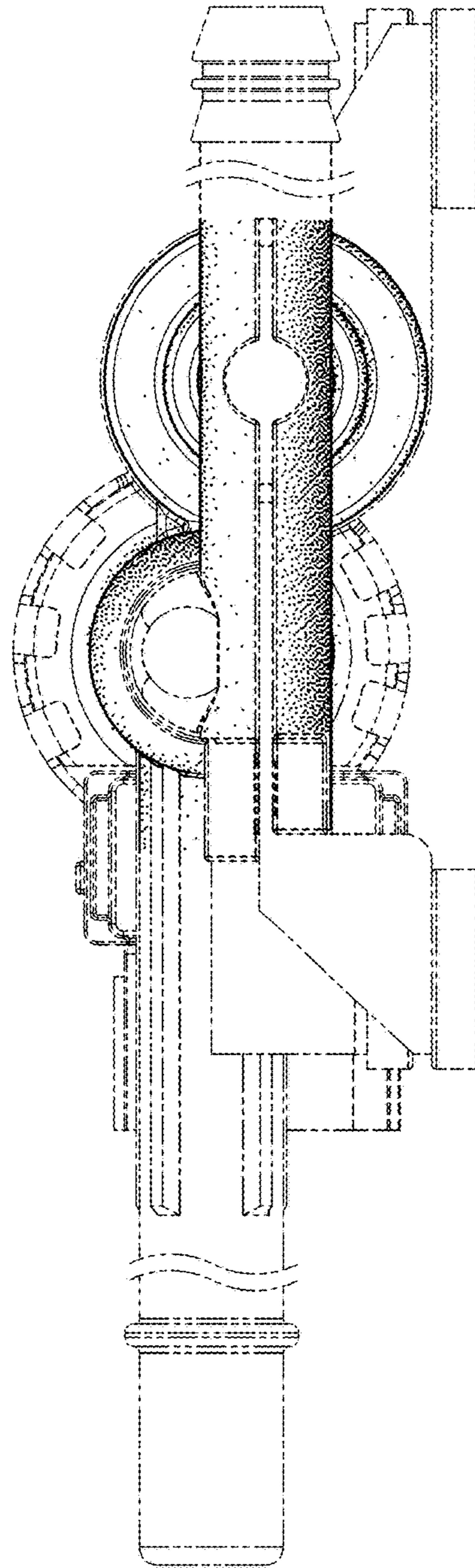


FIG. 4

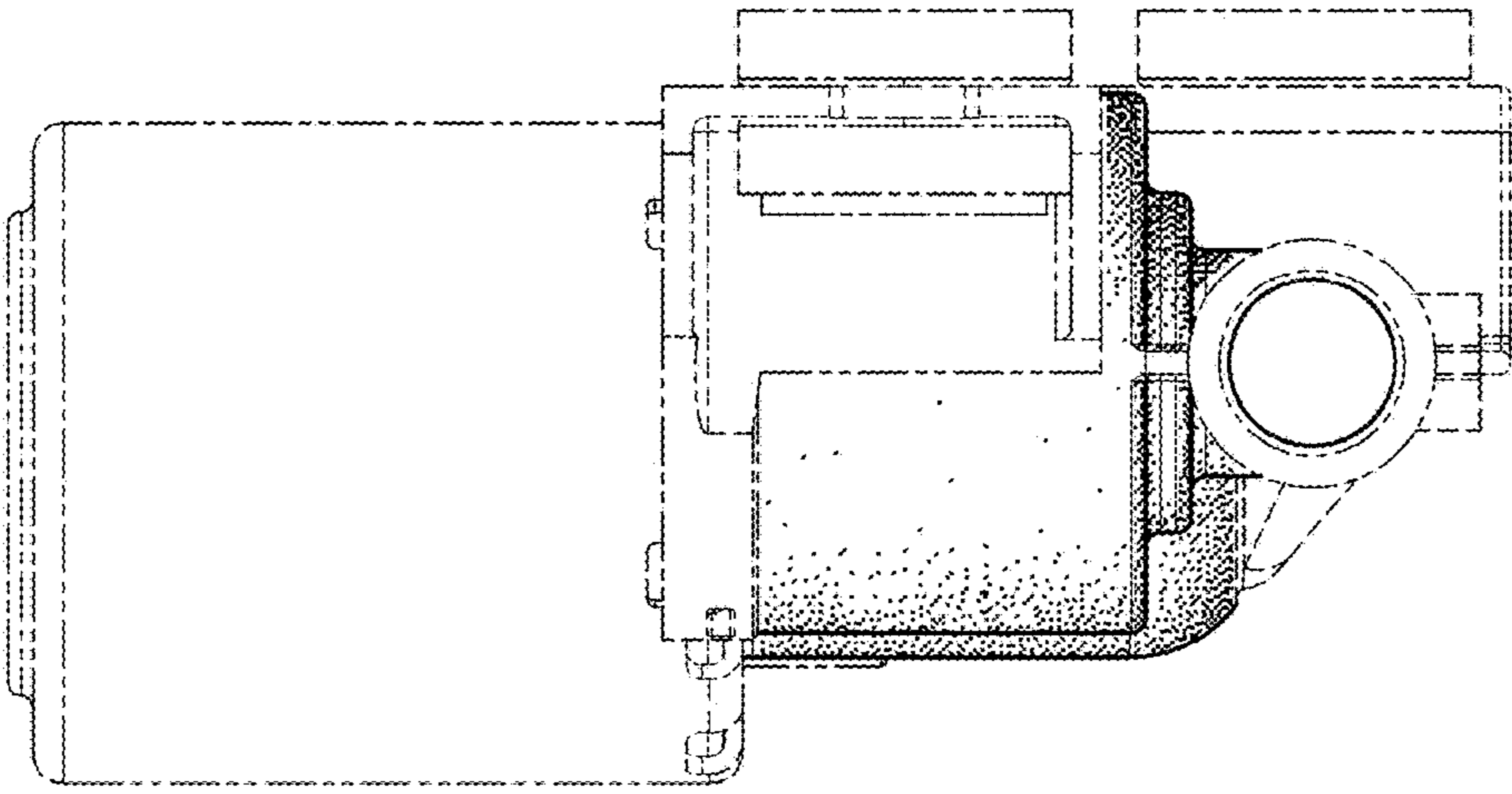


FIG. 5

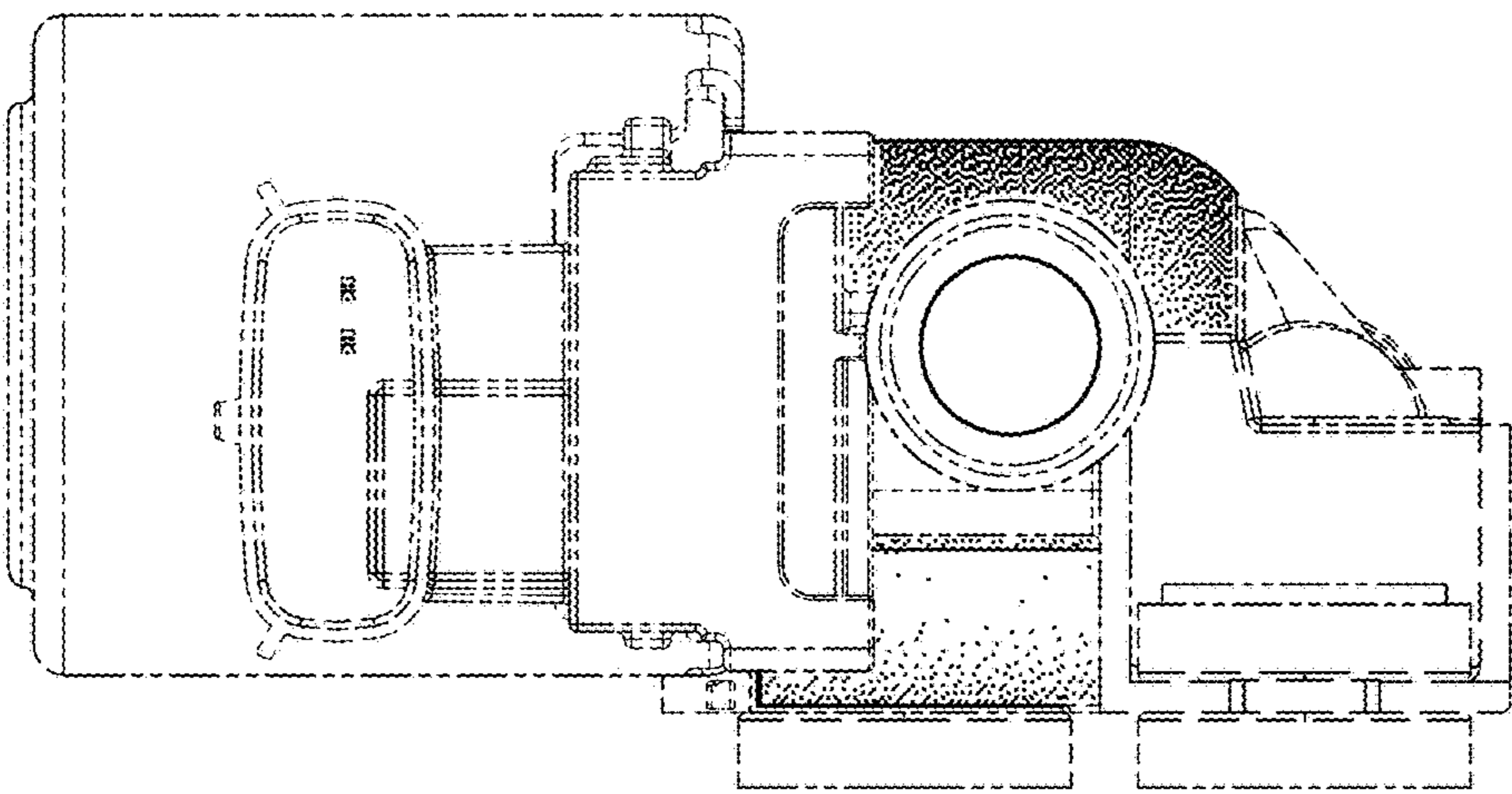


FIG. 6

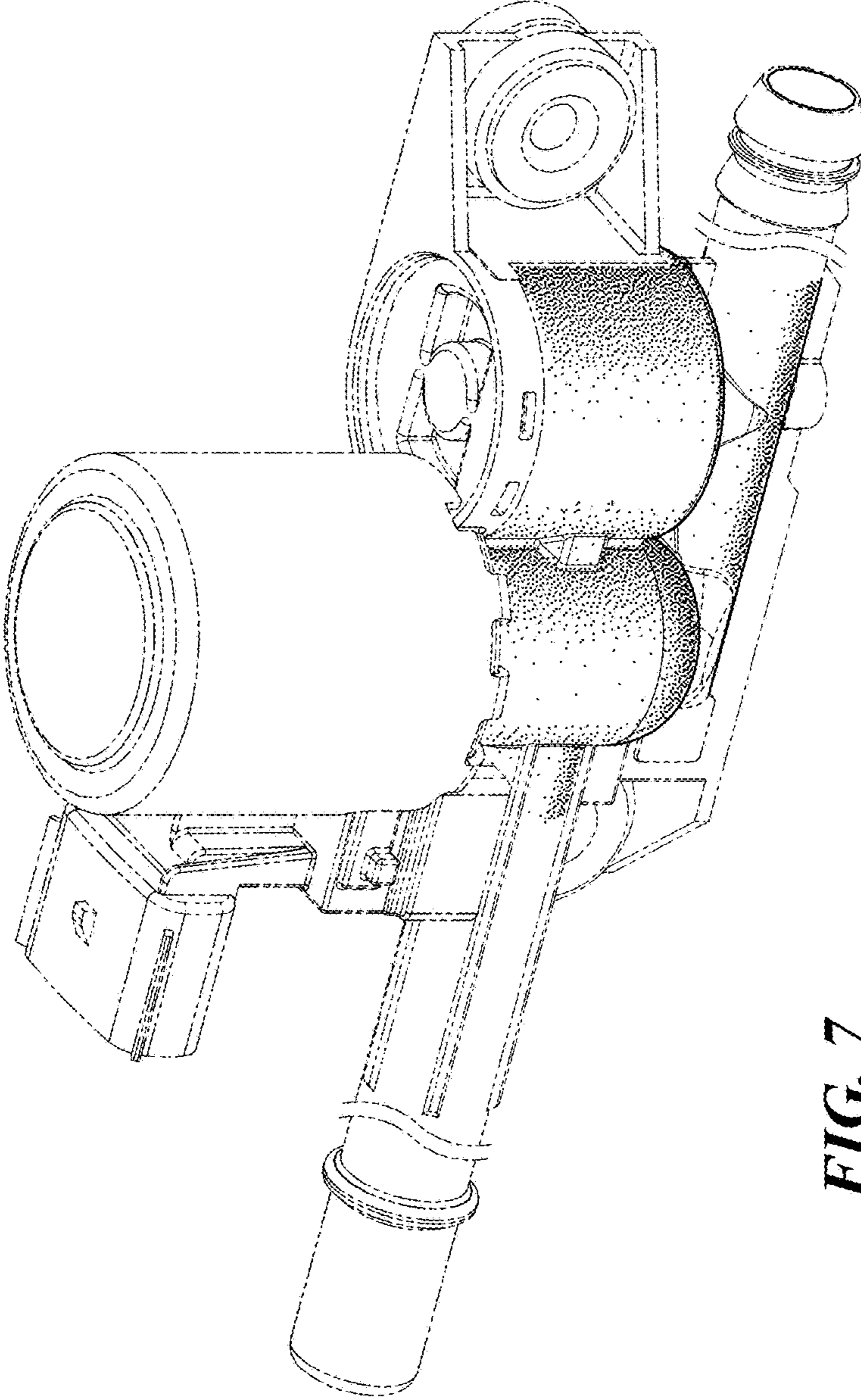


FIG. 7

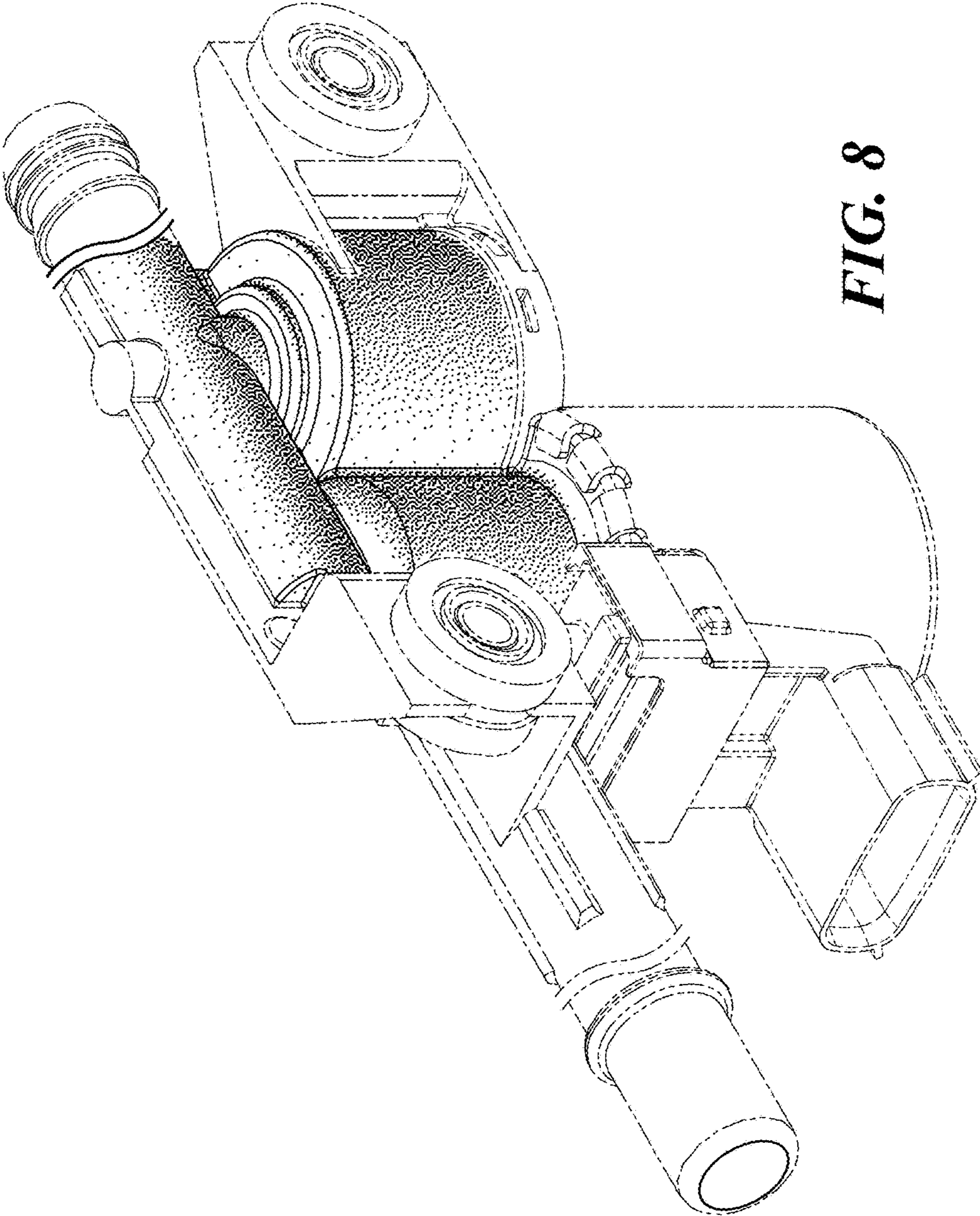


FIG. 8