



US00D829303S

(12) **United States Design Patent** (10) **Patent No.:** **US D829,303 S**
Li (45) **Date of Patent:** **** Sep. 25, 2018**

(54) **STARFISH-SHAPED SOLAR FOUNTAIN**

(71) Applicant: **Jianhui Li**, Guangdong (CN)

(72) Inventor: **Jianhui Li**, Guangdong (CN)

(**) Term: **15 Years**

(21) Appl. No.: **29/613,262**

(22) Filed: **Aug. 9, 2017**

(51) **LOC (11) Cl.** **23-01**

(52) **U.S. Cl.**
USPC **D23/201**

(58) **Field of Classification Search**
USPC D23/200, 201; D13/102; D21/597, 599
CPC B05B 17/08; F21S 8/00
See application file for complete search history.

(56) **References Cited**

U.S. PATENT DOCUMENTS

D206,214 S *	11/1966	Erbe	D23/201
D231,457 S *	4/1974	Jepsen et al.	D23/201
3,838,816 A *	10/1974	Huff	B05B 17/08
			239/18
5,040,726 A *	8/1991	Dimitri	B05B 17/08
			239/17
D455,193 S *	4/2002	Moulson	D23/200
D461,222 S *	8/2002	Bright	D23/201

D475,116 S *	5/2003	Chan	D23/201
D564,443 S *	3/2008	Moore	D13/102
D689,587 S *	9/2013	Schumacher	D23/201
D781,998 S *	3/2017	Ruzicka	B05B 17/08
			D13/102
D783,522 S *	4/2017	Cameron	B05B 17/08
			D13/102

* cited by examiner

Primary Examiner — Robin V Webster

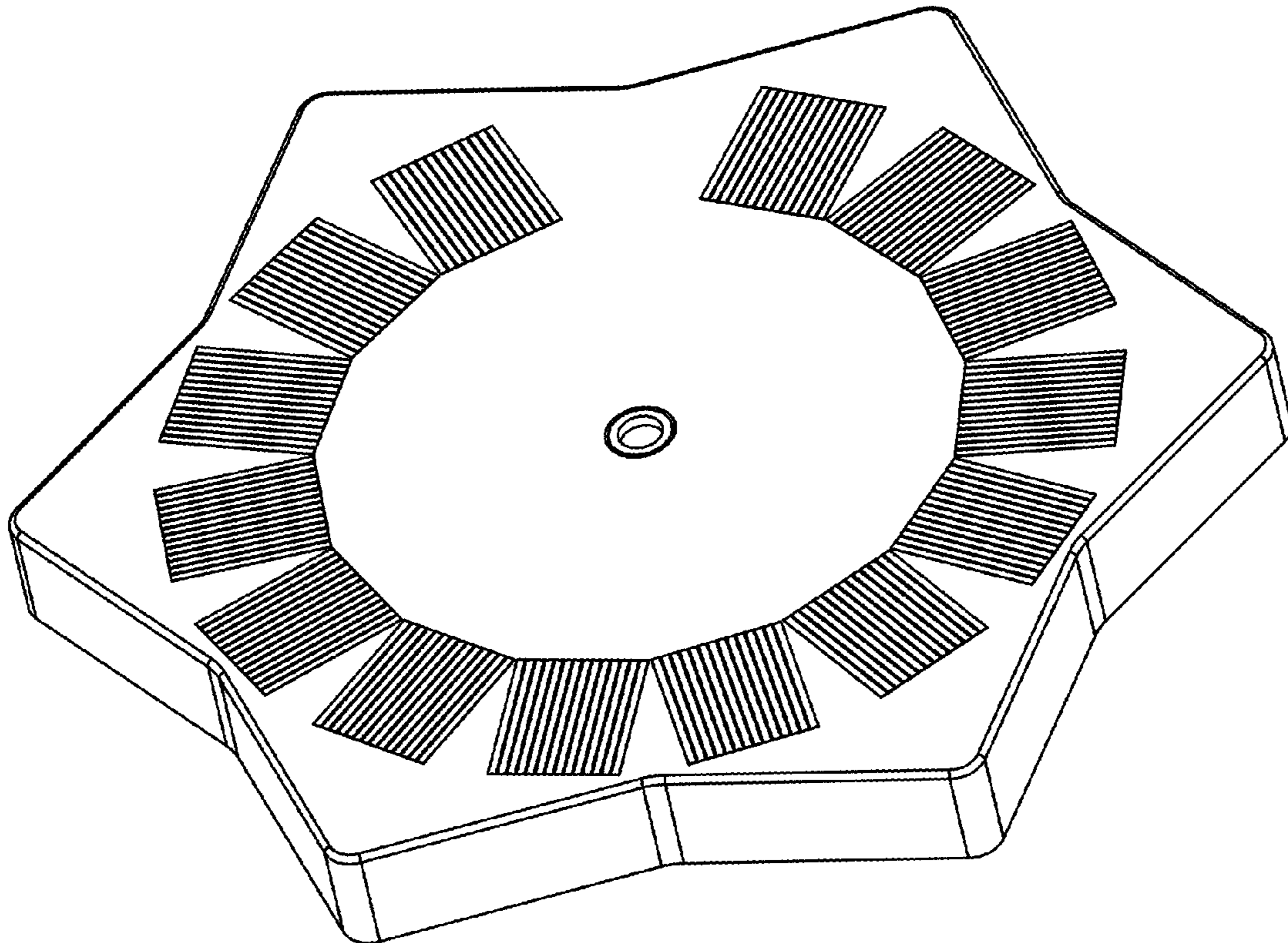
(57) **CLAIM**

The ornamental design for starfish-shaped solar fountain, as shown and described.

DESCRIPTION

FIG. 1 is a front elevational view of starfish-shaped solar fountain showing my new design;
FIG. 2 is a rear elevational view thereof;
FIG. 3 is a left side elevational view thereof;
FIG. 4 is a right side elevational view thereof;
FIG. 5 is a top plan view thereof;
FIG. 6 is a bottom plan view thereof; and,
FIG. 7 is a perspective view thereof.

1 Claim, 7 Drawing Sheets



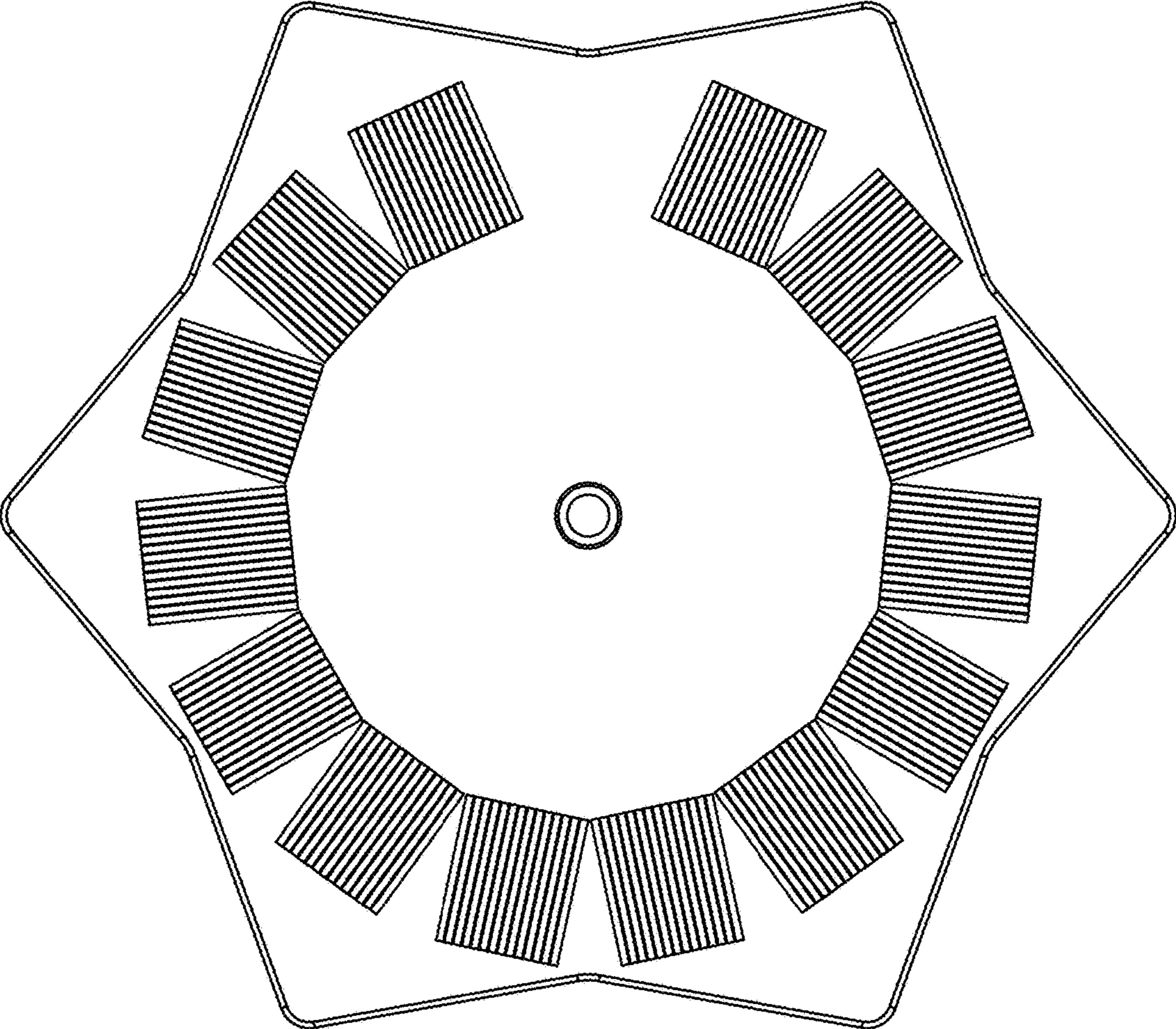


FIG.1

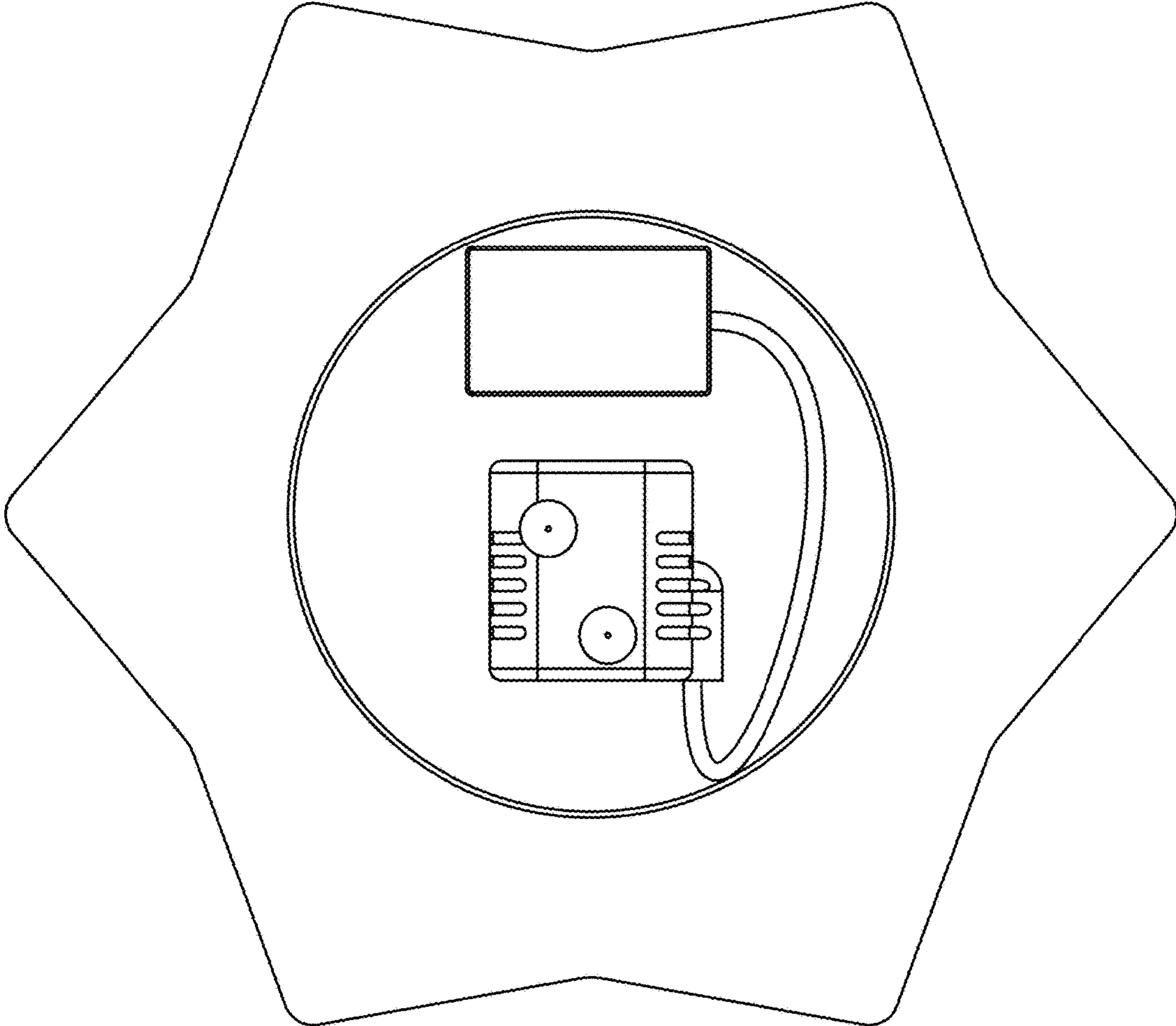


FIG.2

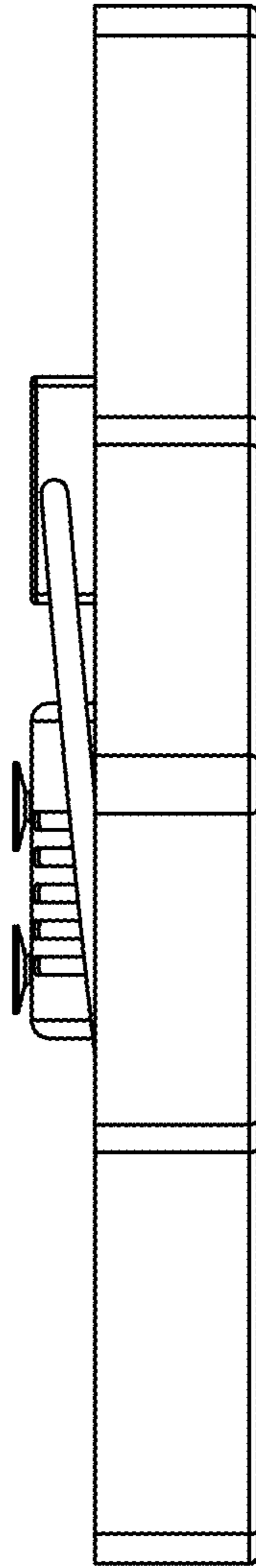


FIG.3

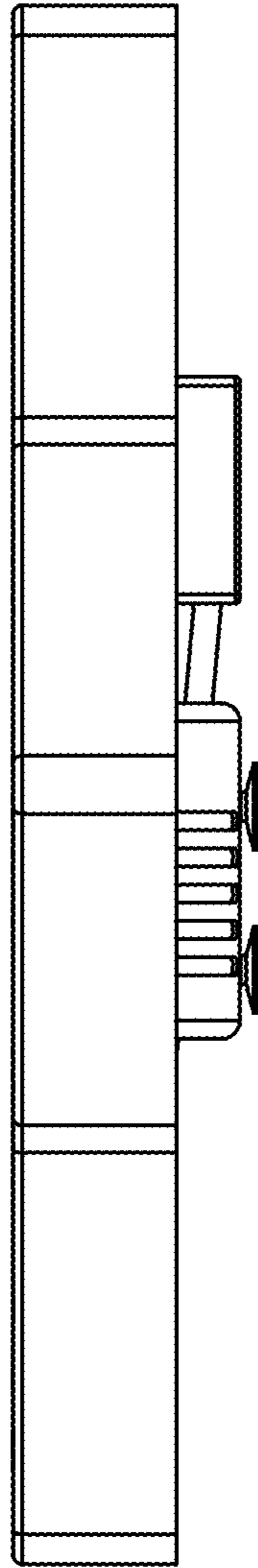


FIG. 4

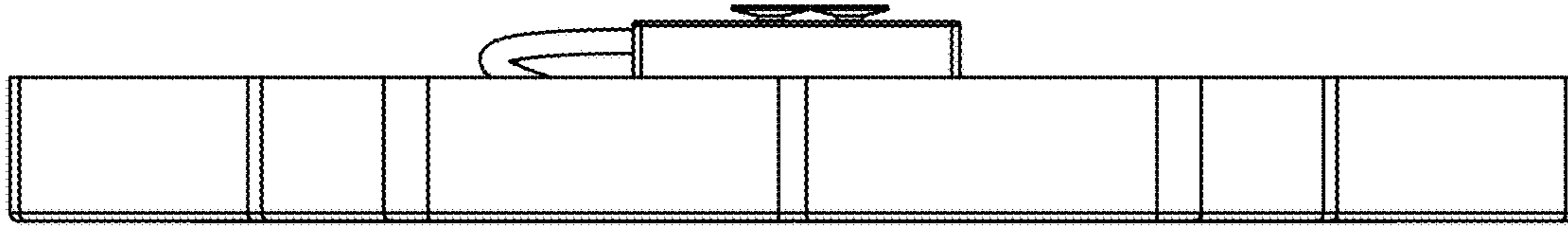


FIG.5

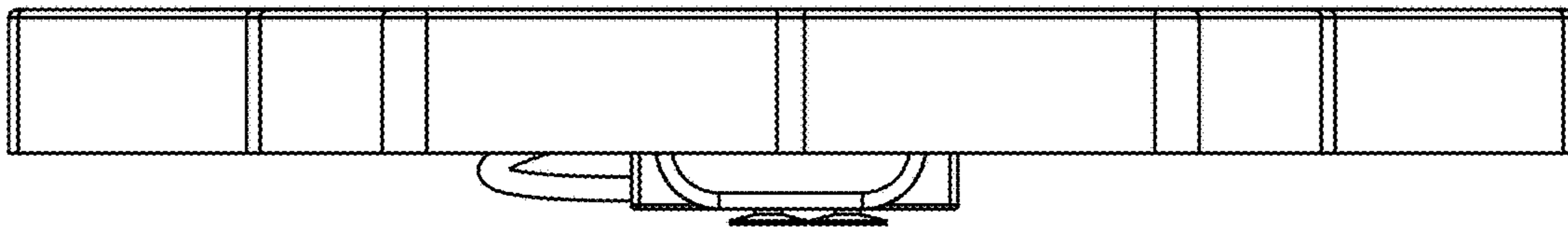


FIG.6

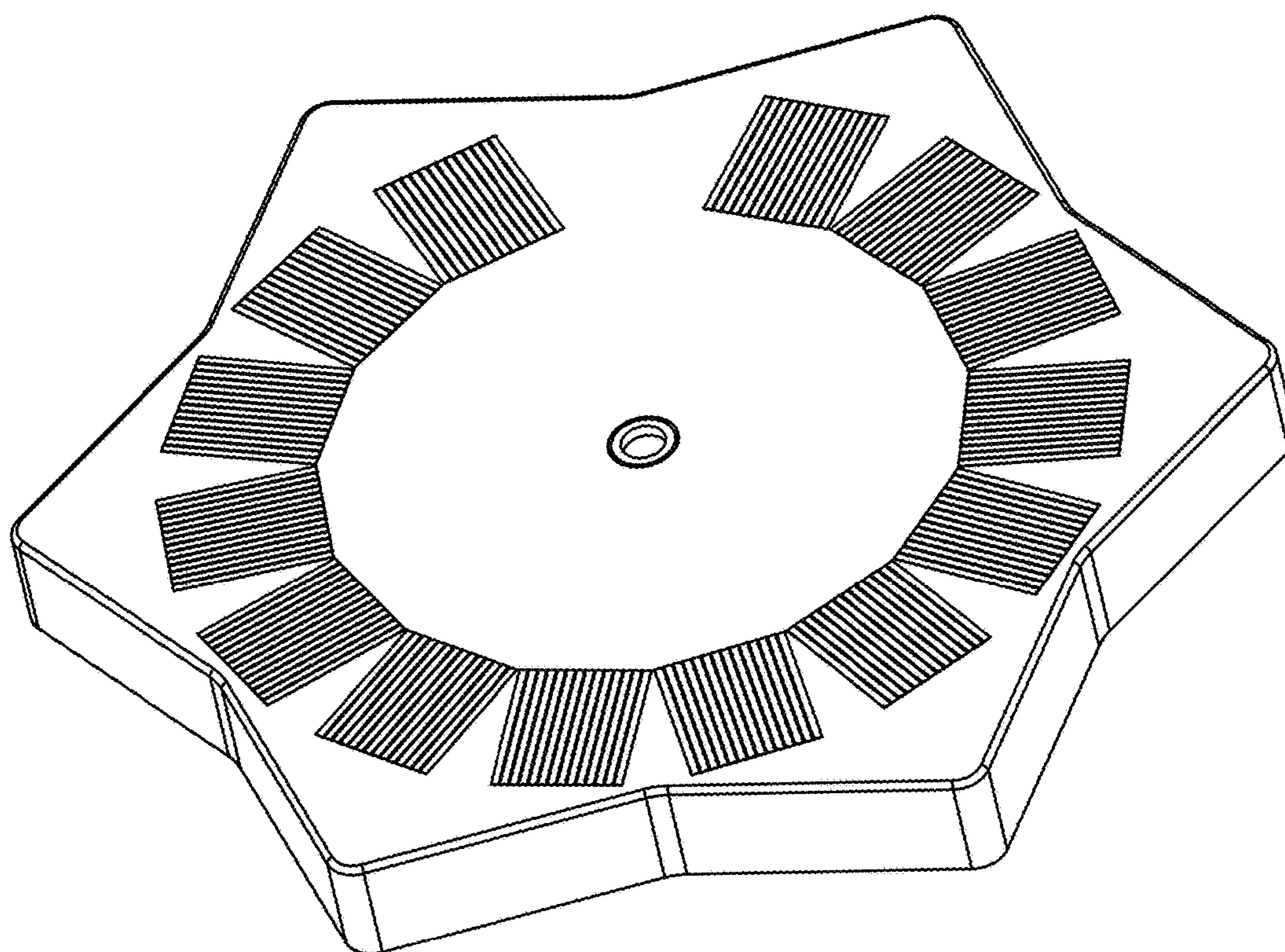


FIG.7