



US00D829299S

(12) **United States Design Patent**  
**Kaps et al.**

(10) **Patent No.:** **US D829,299 S**

(45) **Date of Patent:** **\*\* Sep. 25, 2018**

(54) **PEST DETERRENT DEVICE WITH  
ROTATING FEATURE**

(71) Applicants: **Thomas Kaps**, Jackson, NJ (US); **Paul  
Rosario**, Bayville, NJ (US)

(72) Inventors: **Thomas Kaps**, Jackson, NJ (US); **Paul  
Rosario**, Bayville, NJ (US)

(\*\*) Term: **15 Years**

(21) Appl. No.: **29/547,202**

(22) Filed: **Dec. 1, 2015**

(51) **LOC (11) Cl.** ..... **22-06**

(52) **U.S. Cl.**  
USPC ..... **D22/120**

(58) **Field of Classification Search**  
USPC ..... D22/119–124; 43/112–114, 121, 124,  
43/131, 132.1, 137; 367/139  
CPC ..... A01M 29/00; A01M 29/16; A01M 29/34;  
A01M 29/28; A01M 2200/011; A01M  
2200/012; A01M 1/106  
See application file for complete search history.

(56) **References Cited**

**U.S. PATENT DOCUMENTS**

683,699 A 10/1901 Morris  
D46,569 S \* 10/1914 Kaufman ..... D26/60  
D196,803 S \* 11/1963 Bridges ..... D26/102

3,487,577 A \* 1/1970 Sexton ..... A01M 1/04  
239/19  
5,210,656 A \* 5/1993 Williamson ..... G03B 15/06  
248/474  
5,251,397 A \* 10/1993 Exum ..... A01M 1/145  
43/113  
D356,849 S \* 3/1995 Butler ..... D22/120  
D404,107 S 1/1999 Dumston  
7,128,296 B2 10/2006 Guadagna  
D534,236 S \* 12/2006 Zecher ..... D22/120  
D625,381 S 10/2010 Asaoka  
D633,979 S 3/2011 Trimble  
8,479,678 B1 7/2013 Sandoval  
D701,936 S 4/2014 Kotze

\* cited by examiner

*Primary Examiner* — Catherine R Oliver-Garcia

(74) *Attorney, Agent, or Firm* — Rene Martin Oliveras

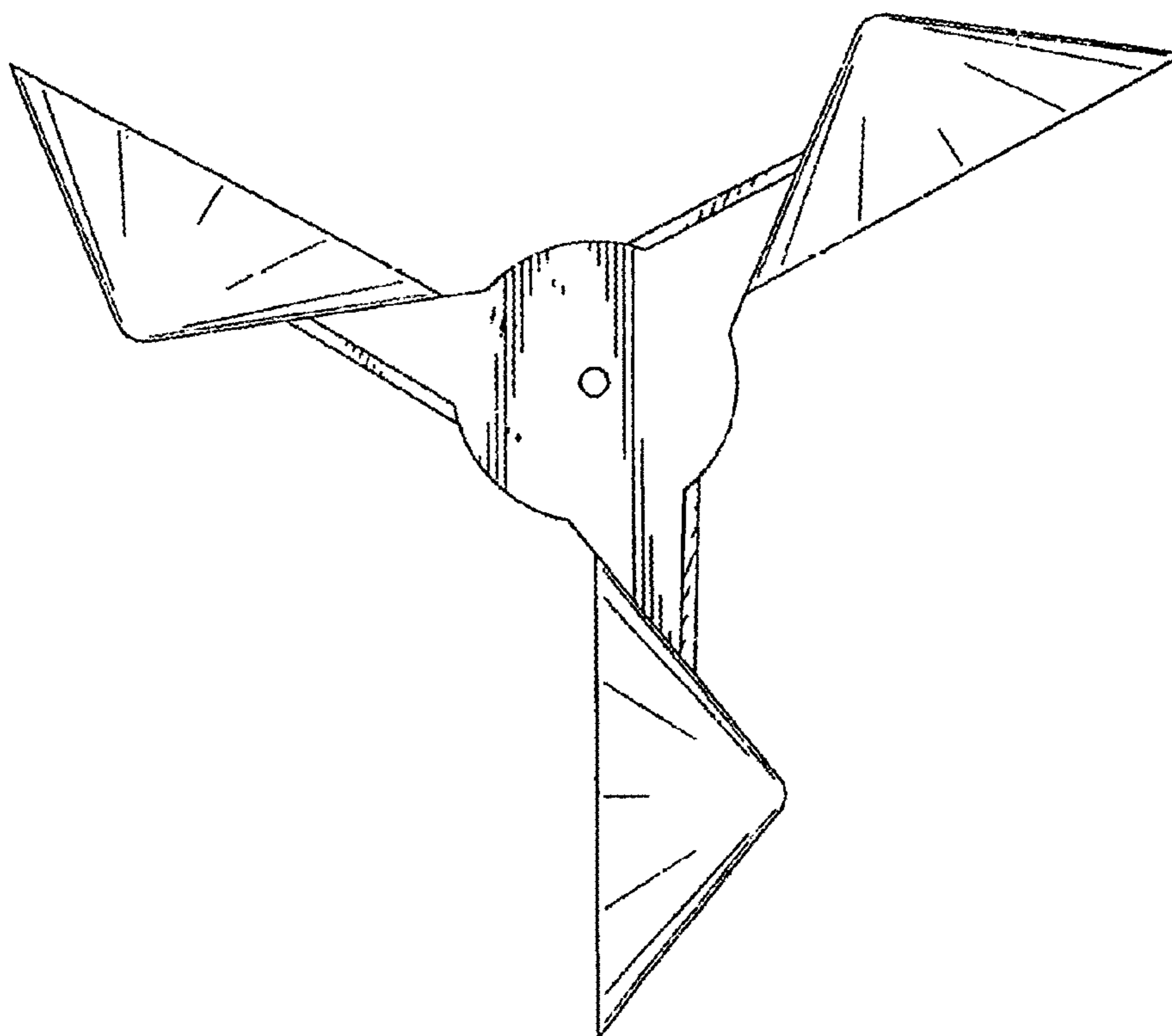
(57) **CLAIM**

The ornamental design for a “pest deterrent device with rotating feature,” as shown and described.

**DESCRIPTION**

FIG. 1 is a top plan view of the “pest deterrent device with rotating feature” showing the new design; FIG. 2 is a bottom plan view thereof; FIG. 3 is a front elevation view thereof; FIG. 4 a rear elevation view thereof; FIG. 5 is a left side elevation view thereof; and, FIG. 6 is a right side elevation view thereof.

**1 Claim, 6 Drawing Sheets**



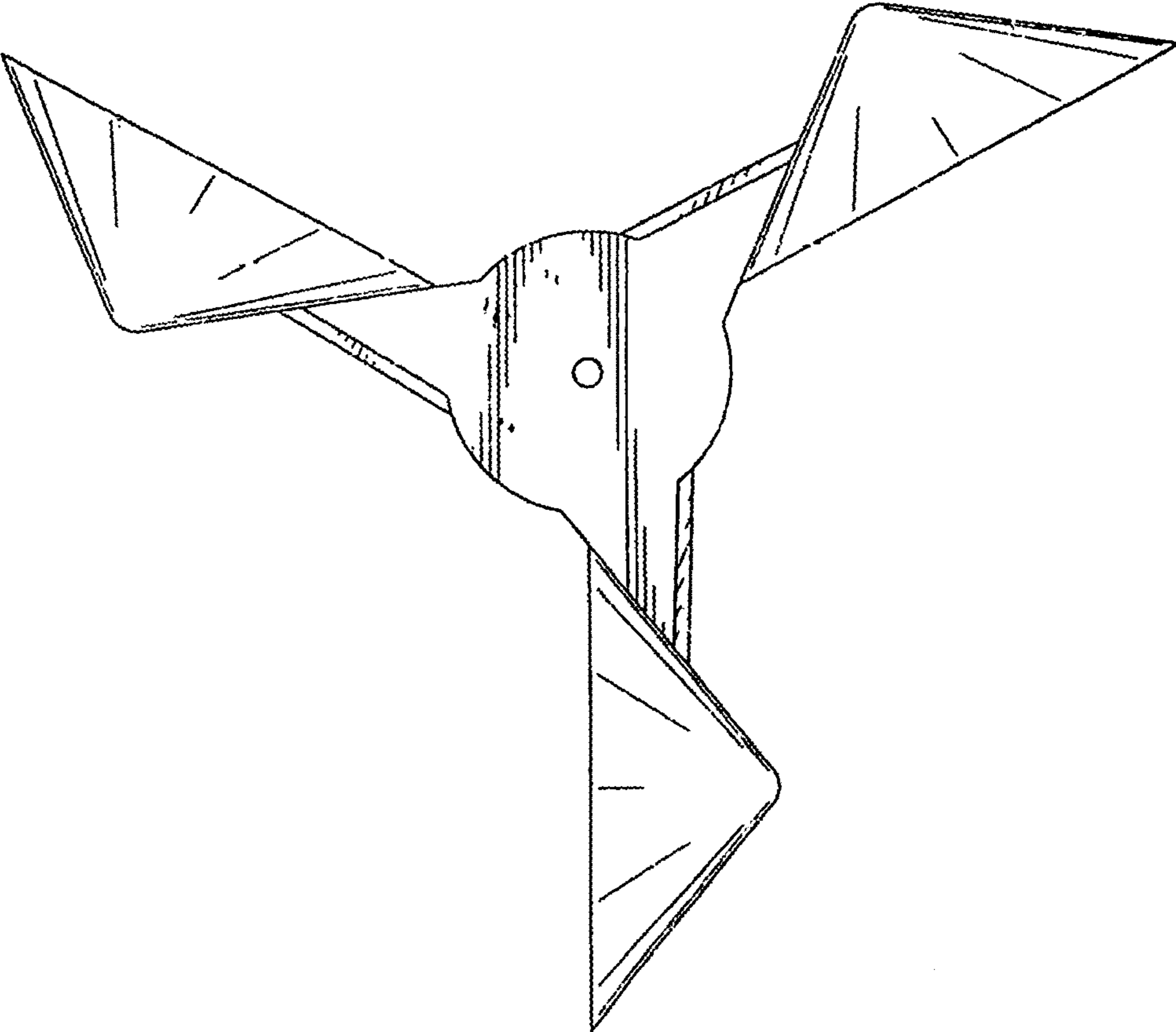


FIG. 1

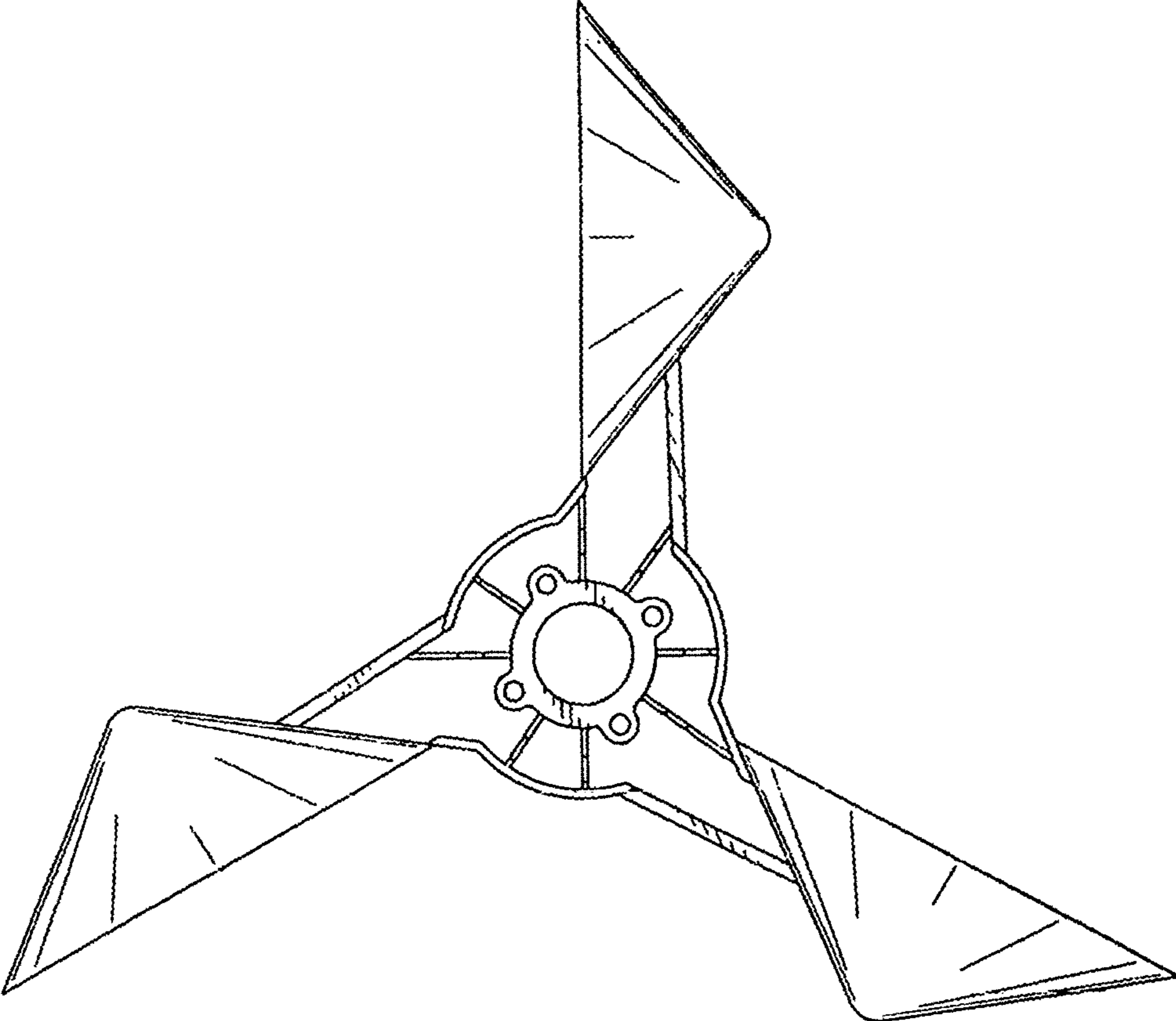


FIG. 2

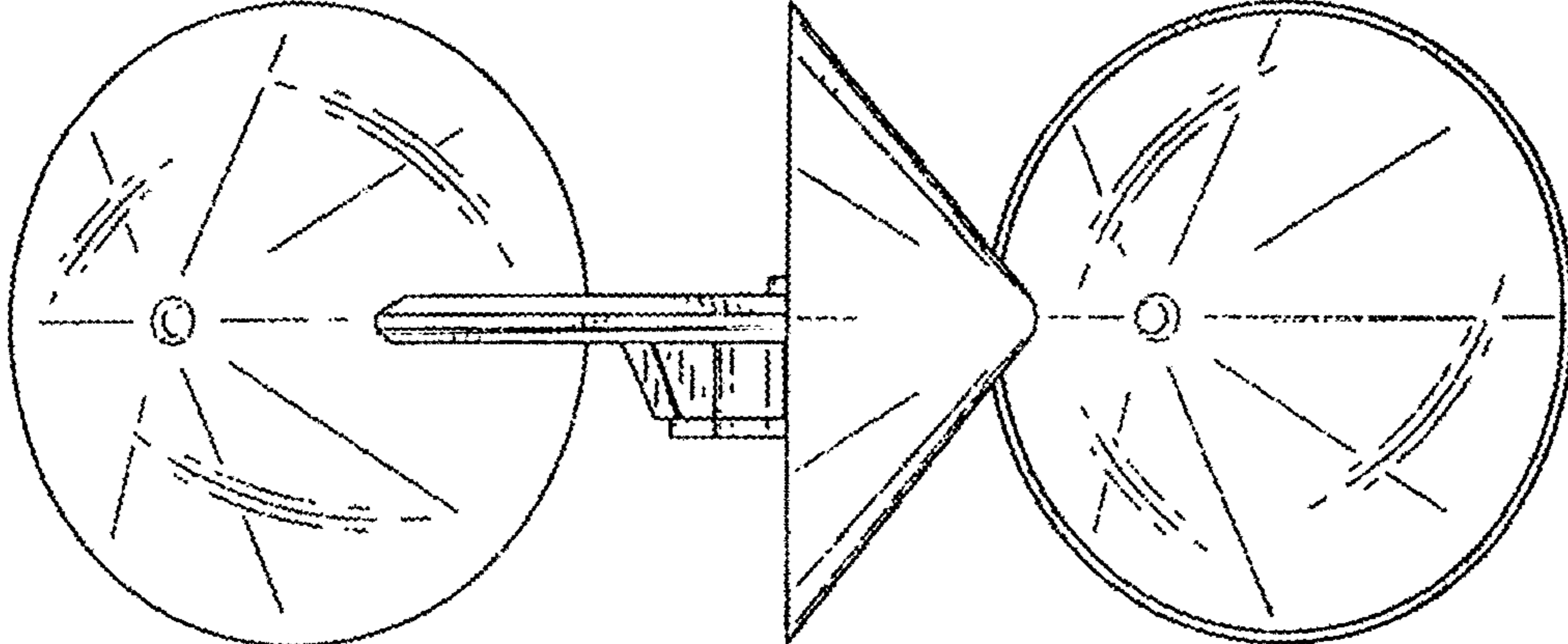


FIG. 3

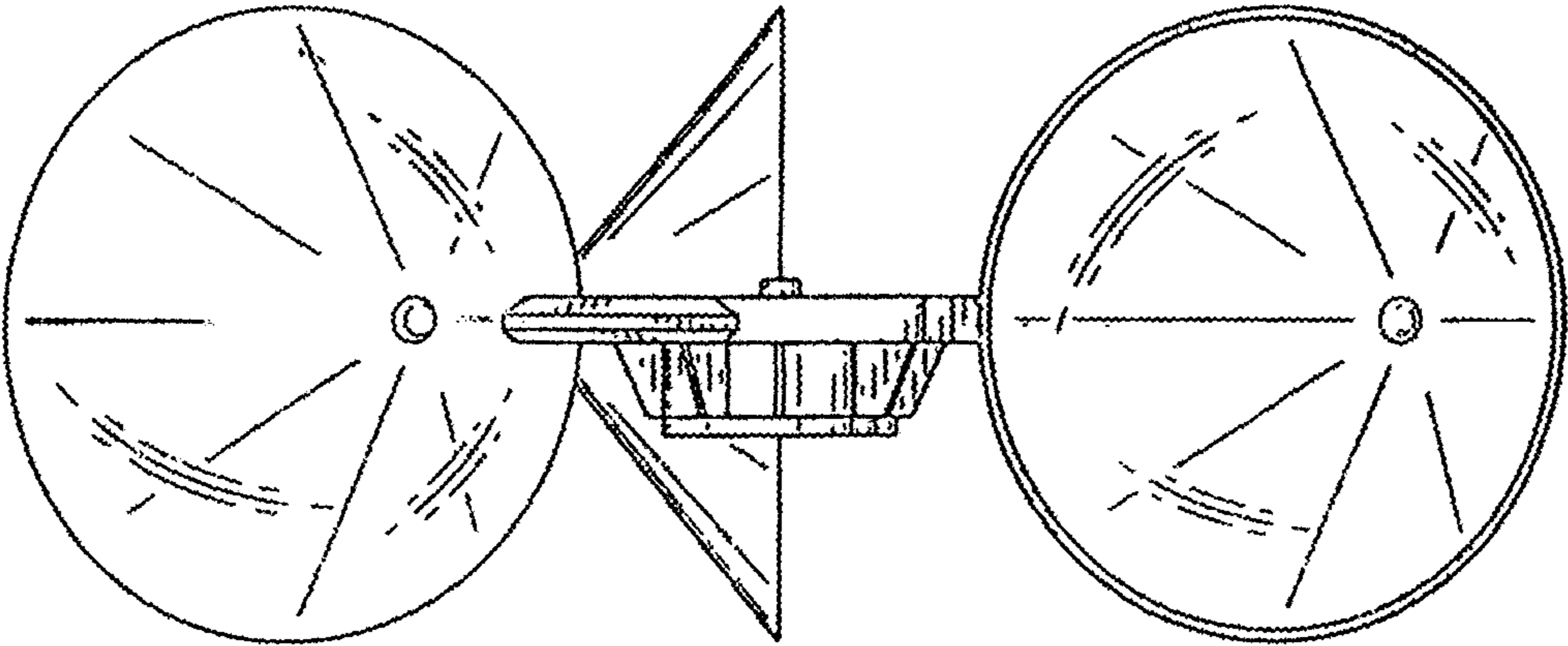


FIG. 4

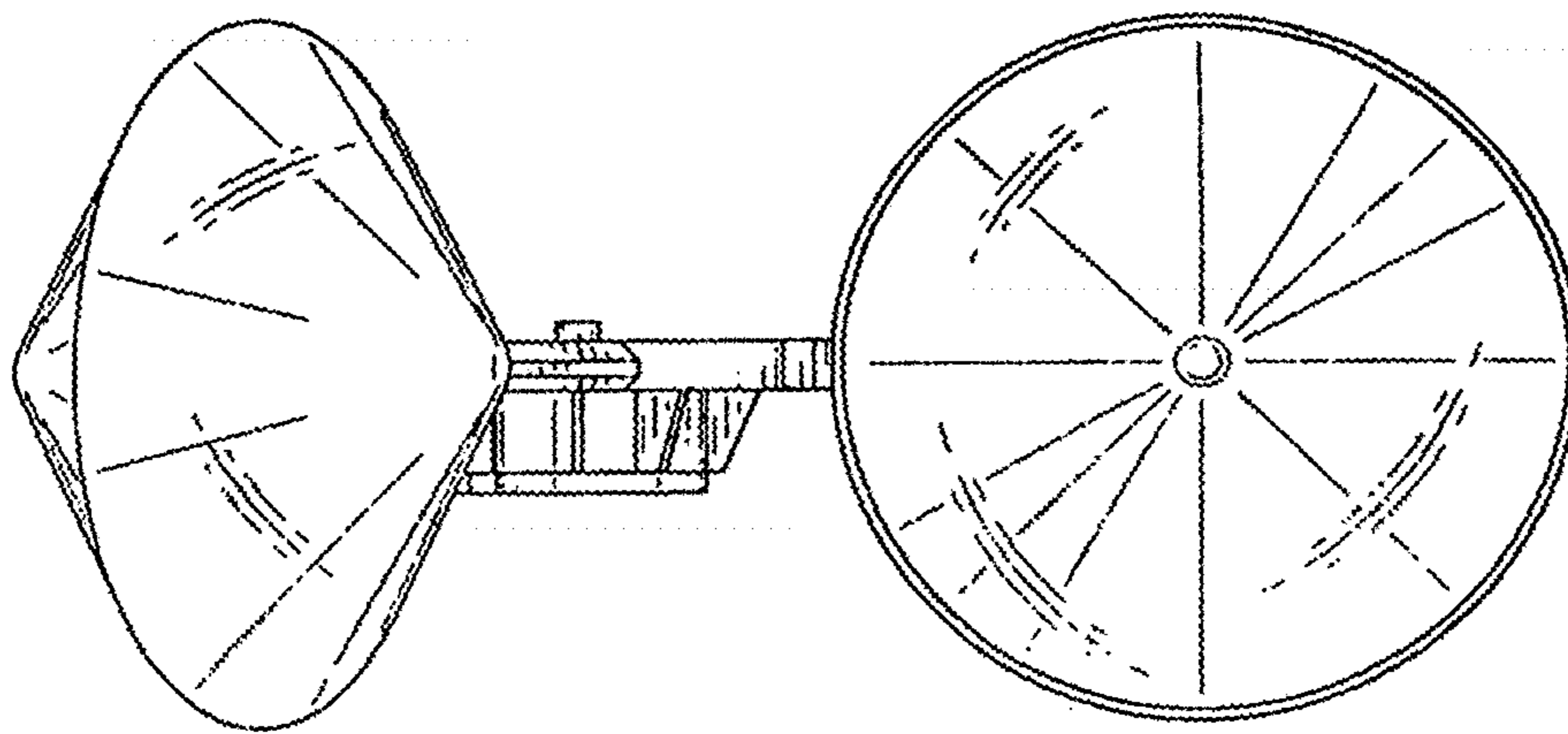


FIG. 5

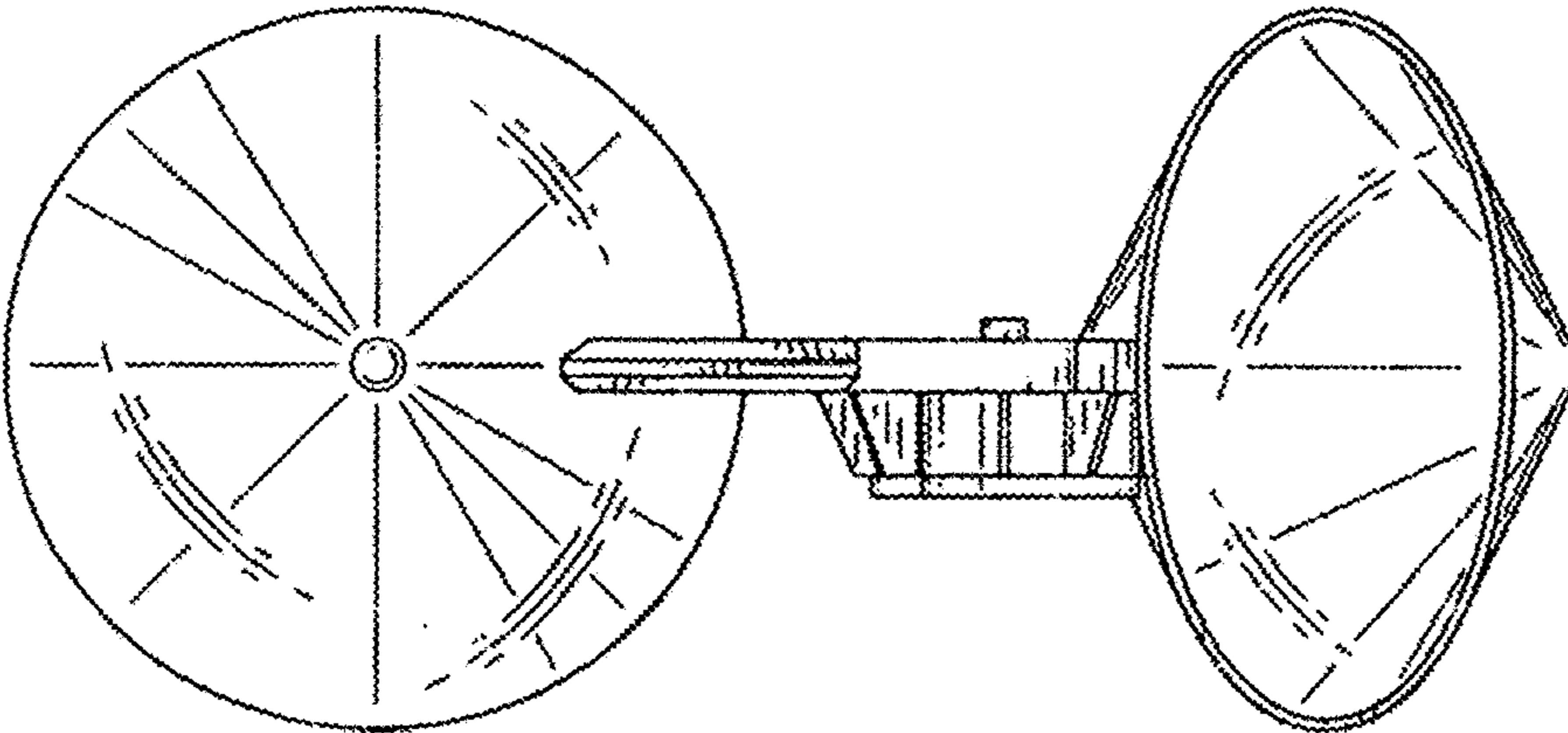


FIG. 6