



US00D829297S

(12) **United States Design Patent**  
**Sheikh**

(10) **Patent No.:** **US D829,297 S**

(45) **Date of Patent:** **\*\* Sep. 25, 2018**

(54) **COMBINATION PEPPER SPRAY DISPENSER AND GLASS BREAKING IMPLEMENT**

(71) Applicant: **Yasar Sheikh**, Longwood, FL (US)

(72) Inventor: **Yasar Sheikh**, Longwood, FL (US)

(\*\*) Term: **15 Years**

(21) Appl. No.: **29/591,450**

(22) Filed: **Jan. 19, 2017**

(51) **LOC (11) Cl.** ..... **22-02**

(52) **U.S. Cl.**  
USPC ..... **D22/117**

(58) **Field of Classification Search**

USPC ..... D22/117; D3/207; 222/78-79, 453.05, 222/153.11, 162, 175, 39, 113, 192, 222/402.11, 183, 325, 402.21; 70/395, 70/408, 456 R; 340/164.5, 298.4, 321, 340/326, 425.5, 574, 693.5; 7/158; D8/100, 104-105, 347  
CPC ..... A62B 3/005; A62B 33/00; B25F 1/00; B25D 5/00; F21L 4/00; F21L 4/02; F21L 4/005; F41B 15/04; G08B 21/0297; G08B 21/0446; H05B 3/03; H05B 3/44; B65D 83/68; B65D 83/384; F21V 33/0076; F41H 9/10

See application file for complete search history.

(56) **References Cited**

**U.S. PATENT DOCUMENTS**

3,445,046	A	5/1969	Wilson	
3,484,023	A	12/1969	Meshberg	
4,220,263	A	9/1980	Caruso	
4,363,147	A *	12/1982	Deweese	..... B25F 1/00 7/158
4,572,410	A	2/1986	Brunet	
5,305,874	A	4/1994	McLaughlin	
5,366,118	A	11/1994	Ciammitti et al.	
5,379,924	A	1/1995	Taylor	
5,388,730	A	2/1995	Abbott et al.	
5,458,263	A	10/1995	Ciammitti et al.	

5,859,582	A *	1/1999	Yuen	..... G08B 21/0297 340/321
5,893,483	A *	4/1999	Duran	..... F41H 9/10 222/39
5,897,026	A	4/1999	Vester et al.	
6,932,244	B2	8/2005	Meshberg	
6,971,552	B2	12/2005	Meshberg	
D573,223	S	7/2008	Kostal et al.	
D595,105	S *	6/2009	White	..... D8/105

(Continued)

**OTHER PUBLICATIONS**

Guard Dog Security website, "Pepper Sprays" category, <http://guarddog-security.com/index.php?cPath=23&osCsid=10da8772c27c1ab9c6f95d05a38cbe>.

*Primary Examiner* — Catherine R Oliver-Garcia  
(74) *Attorney, Agent, or Firm* — QuickPatents, LLC; Kevin Prince

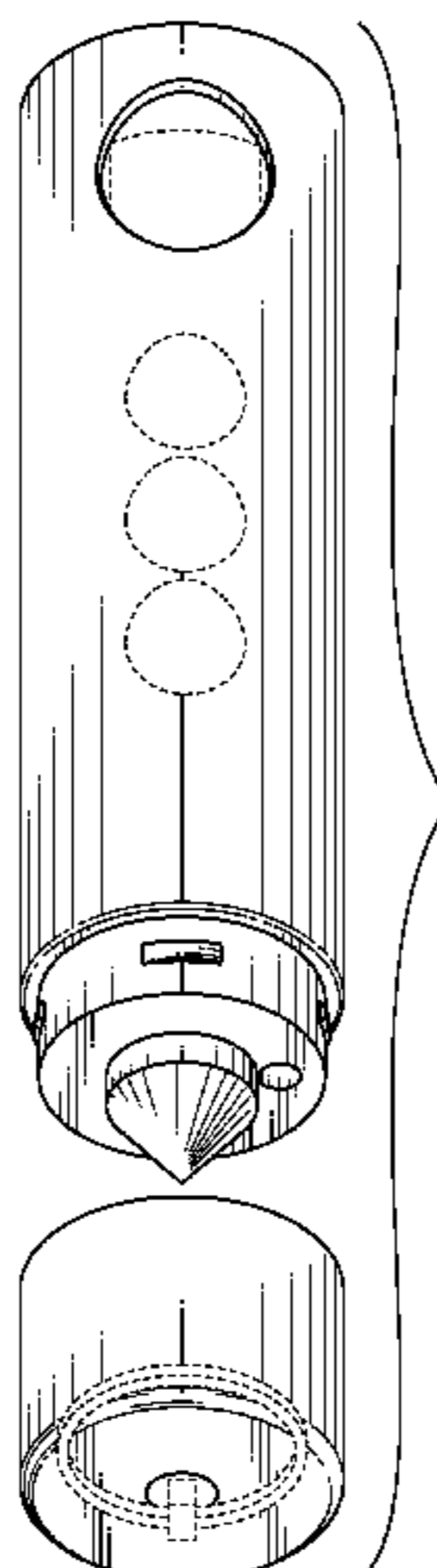
(57) **CLAIM**

I claim the ornamental design for a combination pepper spray dispenser and glass breaking implement, as shown and described.

**DESCRIPTION**

FIG. 1 is an exploded bottom perspective view of a combination pepper spray dispenser and glass breaking implement, showing my new design;  
FIG. 2 is an exploded top perspective view thereof;  
FIG. 3 is an exploded front elevational view thereof;  
FIG. 4 is an exploded rear elevational view thereof;  
FIG. 5 is an exploded right-side elevational view thereof;  
FIG. 6 is an exploded left-side elevational view thereof;  
FIG. 7 is an exploded top plan view thereof;  
FIG. 8 is an exploded bottom plan view thereof; and,  
FIG. 9 is a bottom perspective view thereof.  
The broken lines showing a key ring, spray canister, and finger grips in the figures depict environmental matter and form no part of the claimed design.

**1 Claim, 5 Drawing Sheets**



(56)

**References Cited**

U.S. PATENT DOCUMENTS

7,557,720	B2 *	7/2009	Rubin .....	A62B 3/005 340/321
8,453,883	B2	6/2013	Habermann et al.	
8,505,348	B2 *	8/2013	Colasse .....	A62B 3/005 70/395
8,550,306	B2	10/2013	Angus et al.	
D699,542	S *	2/2014	Rubin .....	D8/105
D728,338	S *	5/2015	Hicks .....	D8/105
D744,807	S *	12/2015	Hicks .....	D8/105
D805,872	S *	12/2017	Asbery .....	D8/98

\* cited by examiner

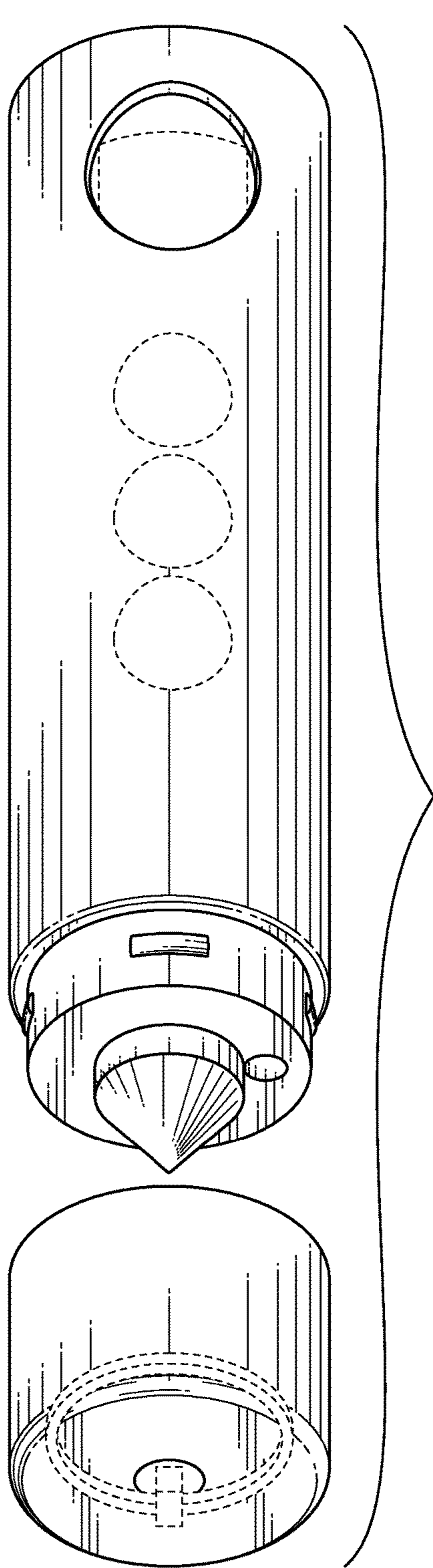


FIG. 1

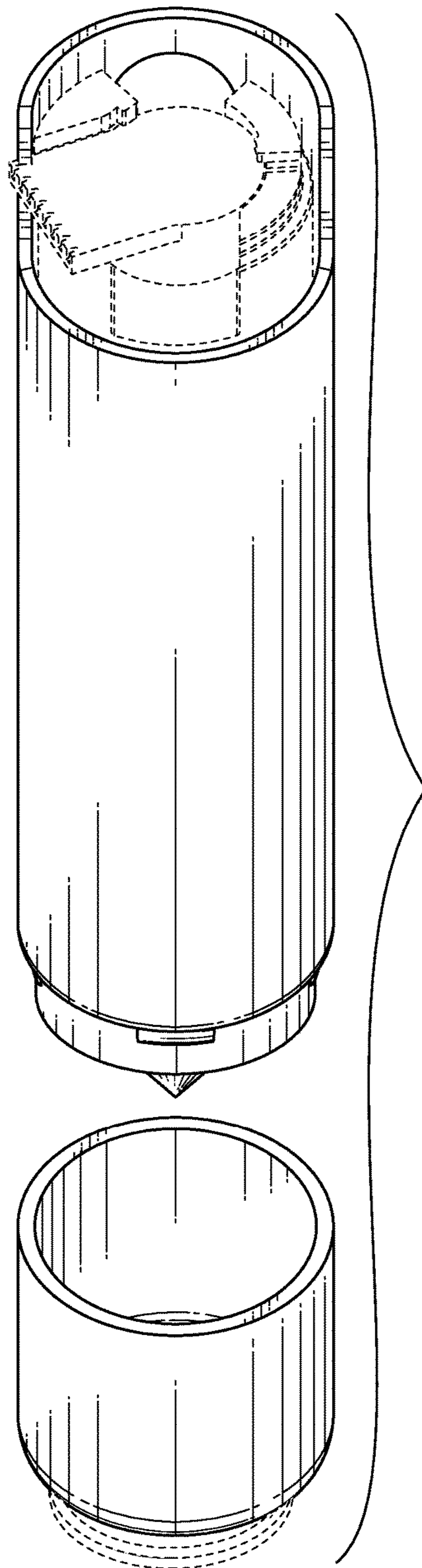


FIG. 2



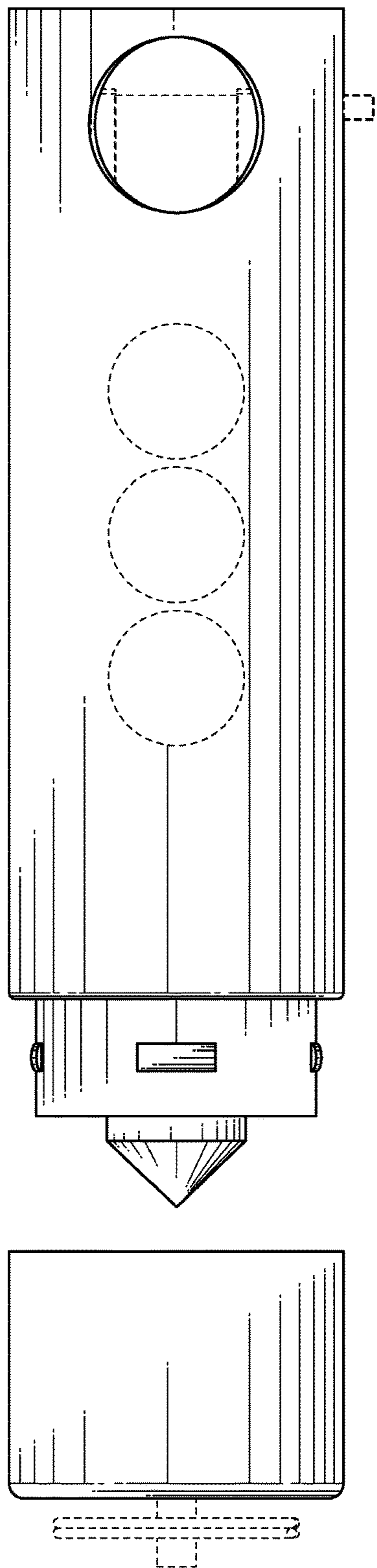


FIG. 3

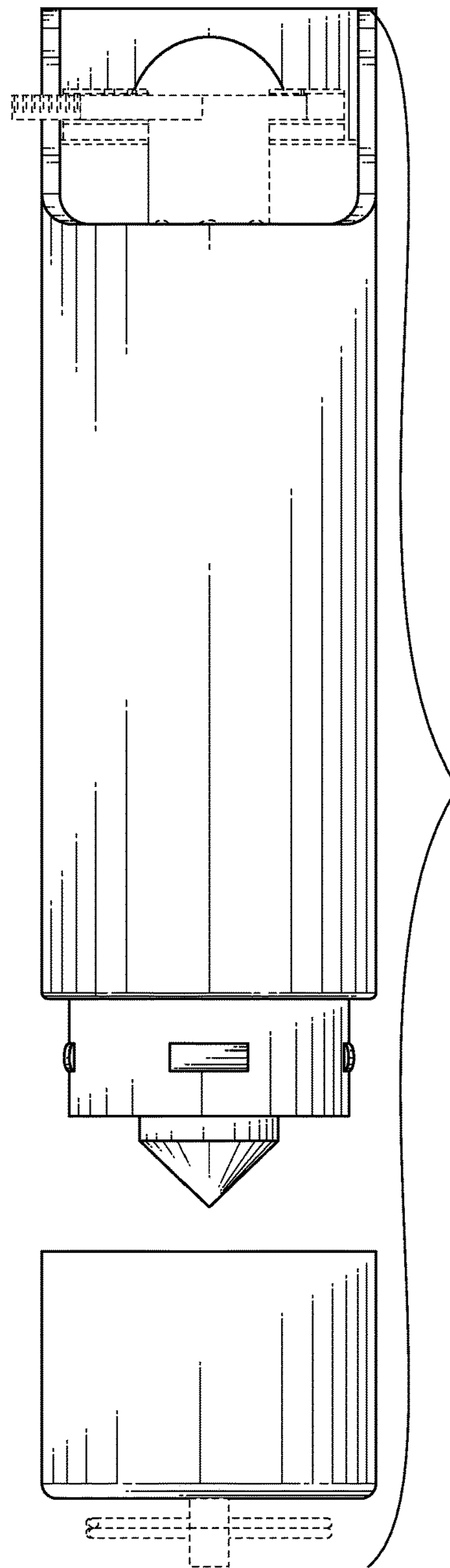


FIG. 4

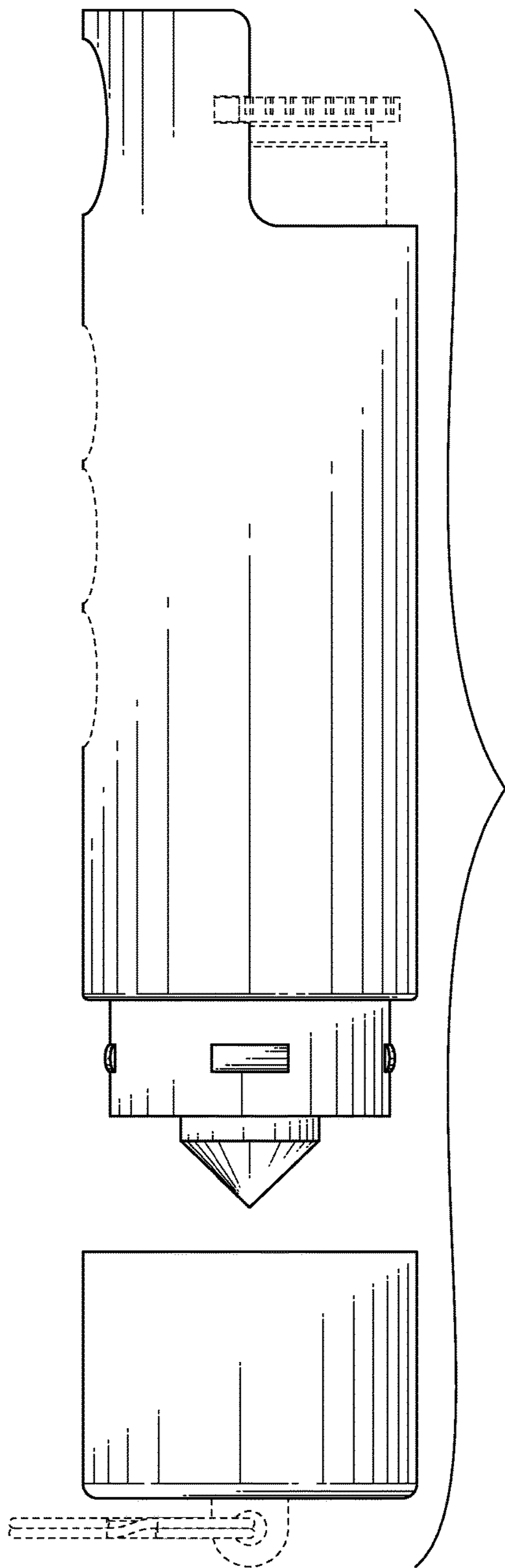


FIG. 5

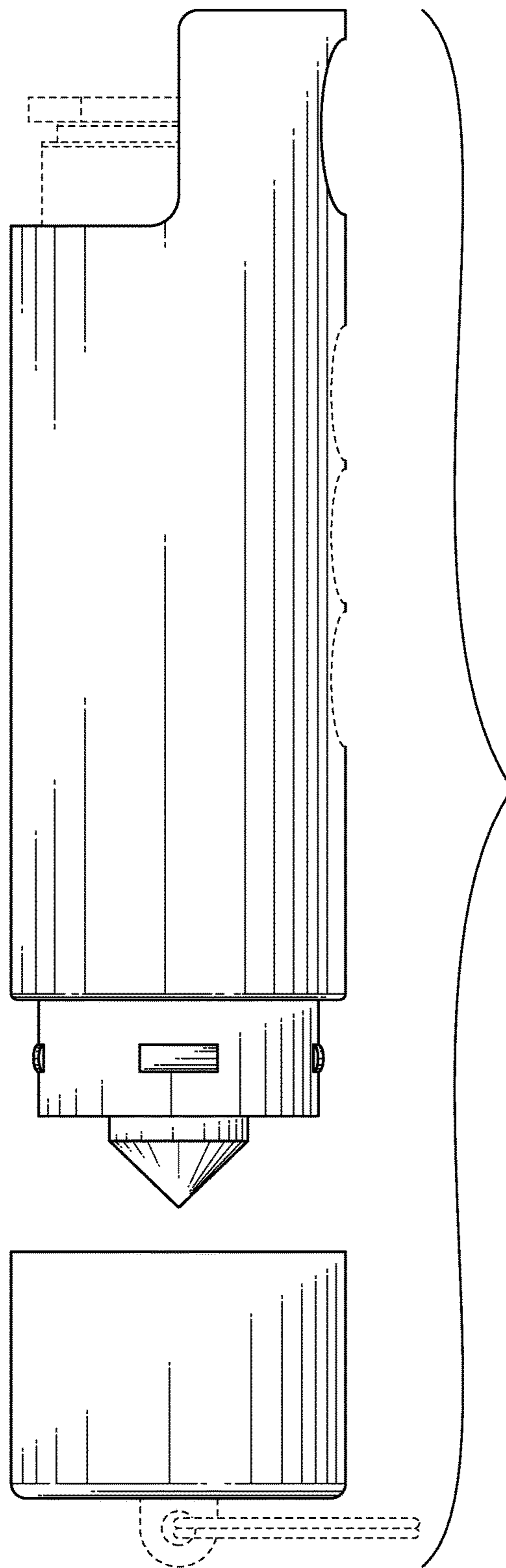


FIG. 6

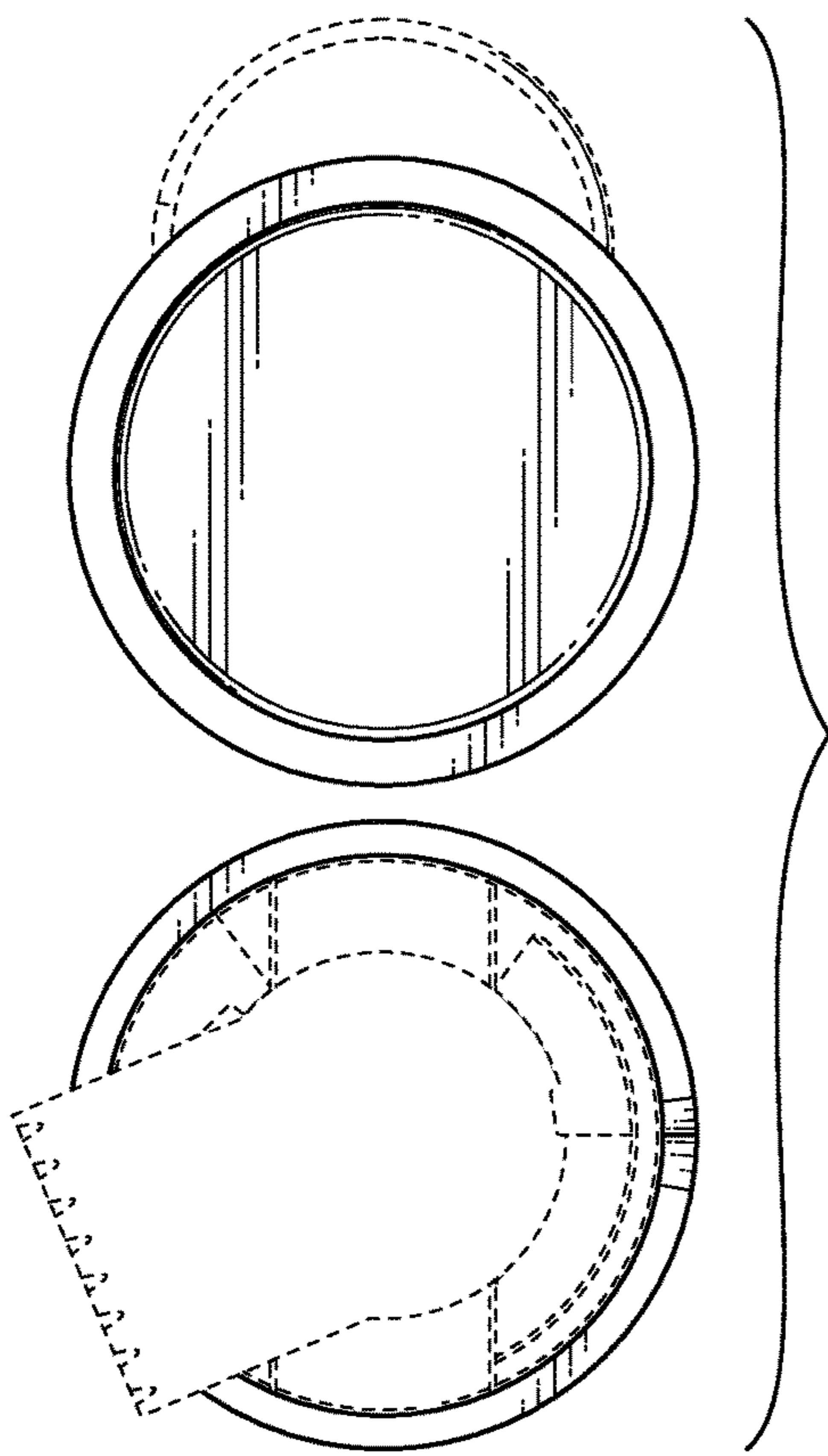


FIG. 7

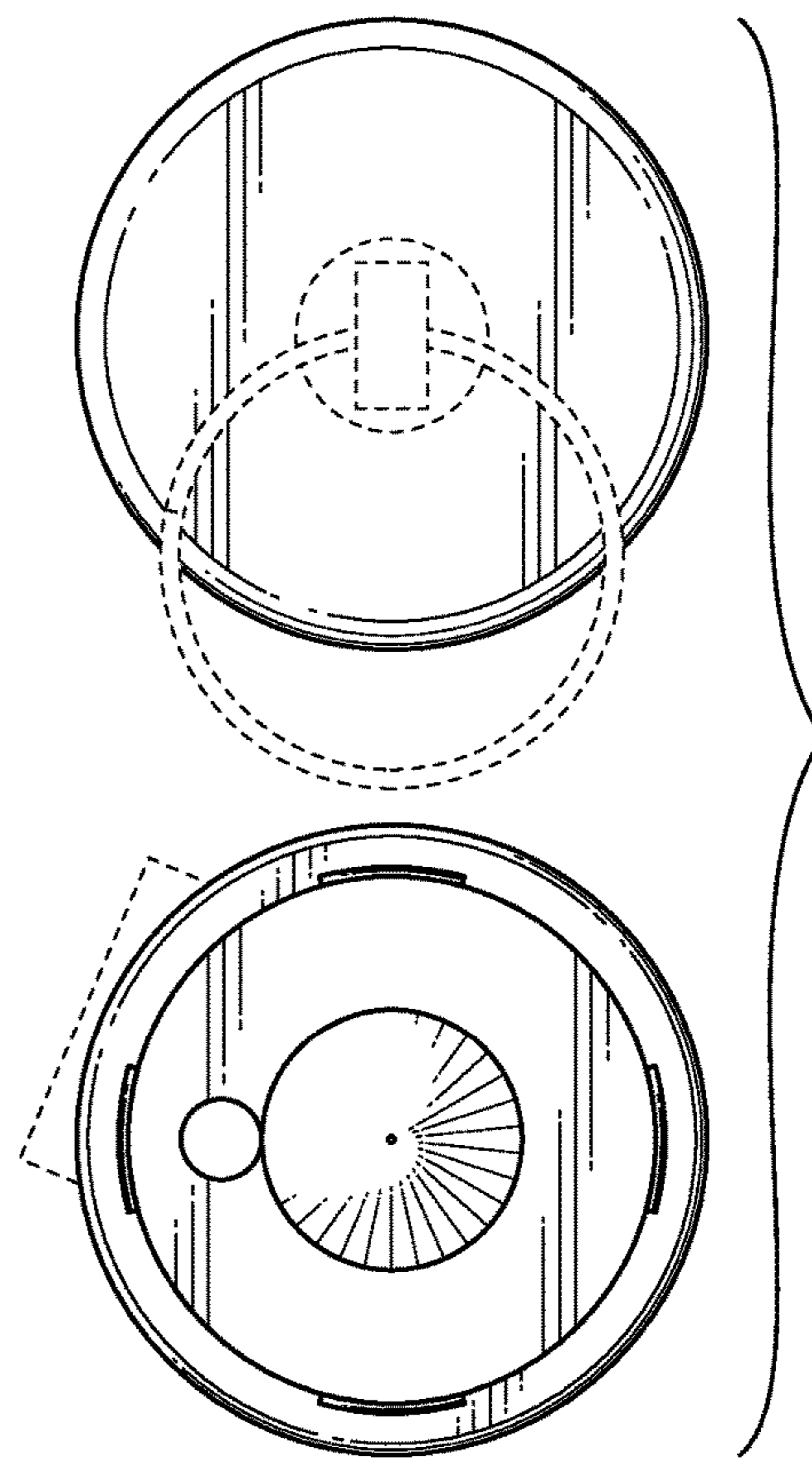


FIG. 8

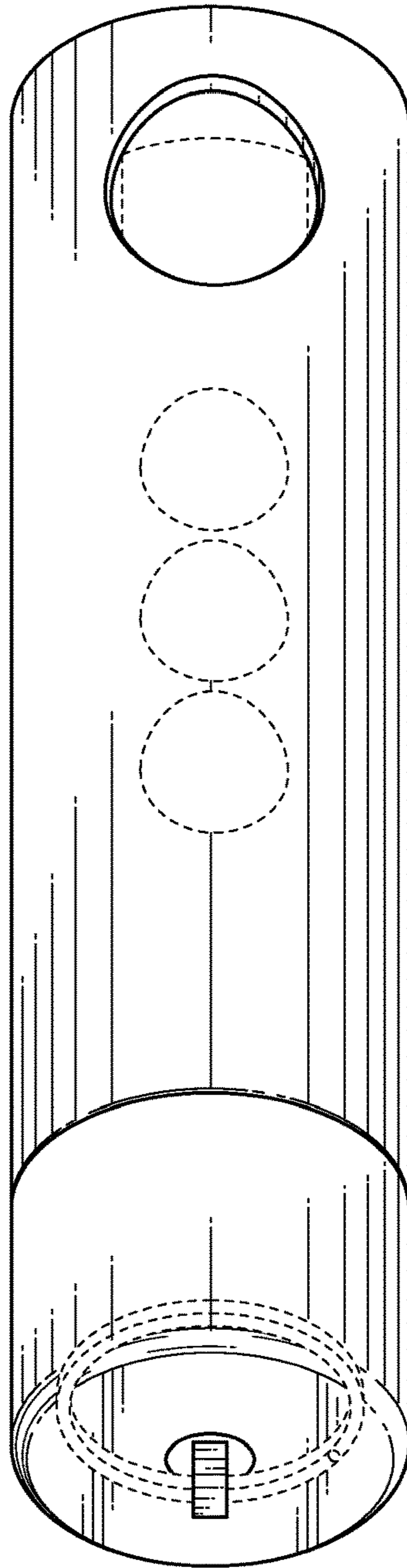


FIG. 9