



US00D829296S

(12) **United States Design Patent** (10) **Patent No.:** **US D829,296 S**  
**Cross** (45) **Date of Patent:** **\*\* Sep. 25, 2018**

(54) **SPRING PIN**  
(71) Applicant: **Wes Cross**, Escondido, CA (US)  
(72) Inventor: **Wes Cross**, Escondido, CA (US)  
(\*\*) Term: **15 Years**  
(21) Appl. No.: **29/590,747**  
(22) Filed: **Jan. 12, 2017**  
(51) **LOC (11) Cl.** ..... **22-01**  
(52) **U.S. Cl.**  
USPC ..... **D22/108**  
(58) **Field of Classification Search**  
USPC ..... D22/108, 199; D15/72, 78, 124-144;  
D8/14, 16, 20, 21-30, 47, 64, 66, 70, 86,  
D8/90-99, 127, 133, 138, 139, 388, 499;  
83/651, 845; 403/230, 331, 381; 407/9,  
407/30, 33, 34, 42, 54, 63, 110, 113, 114,  
407/115; 408/199, 210-214, 219, 224,  
408/226-230, 240; D28/56, 58, 59, 76,  
D28/77, 85-90, 7; D9/503-504, 529;  
D4/101, 102, 104-113, 127;  
D19/115-204; D14/174  
CPC ..... A61B 17/54; A61B 2017/320004; A45D  
2200/1054; A45D 29/04; A45D 29/05;  
A45D 29/06; A45D 29/11-29/14; A45D  
29/02; A45D 29/00; A45D 40/00; A45D  
40/02-40/10; A45D 2040/0025; A45D  
2040/0012; A45D 2040/0031; A45D  
2040/0062  
See application file for complete search history.

(56) **References Cited**  
U.S. PATENT DOCUMENTS  
2,203,158 A \* 6/1940 Klein ..... B25D 3/00  
30/168  
2,289,065 A \* 7/1942 Oliver ..... B23B 51/04  
346/104  
3,132,542 A \* 5/1964 Horvath ..... B23B 27/007  
407/106

D235,418 S \* 6/1975 Patterson ..... D9/688  
D258,498 S \* 3/1981 Hartmann ..... D4/116  
D280,451 S \* 9/1985 Bakic ..... D28/88  
D284,119 S \* 6/1986 Holloway ..... D28/89  
D285,730 S \* 9/1986 Bulwick ..... D19/901  
D303,631 S \* 9/1989 Demarest ..... D28/7  
D317,704 S \* 6/1991 Zaborowski ..... D8/30  
D341,227 S \* 11/1993 Lang ..... D28/76  
(Continued)

**FOREIGN PATENT DOCUMENTS**

CN 104439415 \* 3/2013 ..... B23B 47/28

**OTHER PUBLICATIONS**

Cross Armory Quick Pins, CrossArmory.com, [online], [site visited Jun. 1, 2018]. <URL: <https://crossarmory.com/shop/ar-quick-pins/>> (Year: 2018).\*

(Continued)

*Primary Examiner* — T Chase Nelson  
*Assistant Examiner* — Jonathan J. Han  
(74) *Attorney, Agent, or Firm* — Eric Hanscom

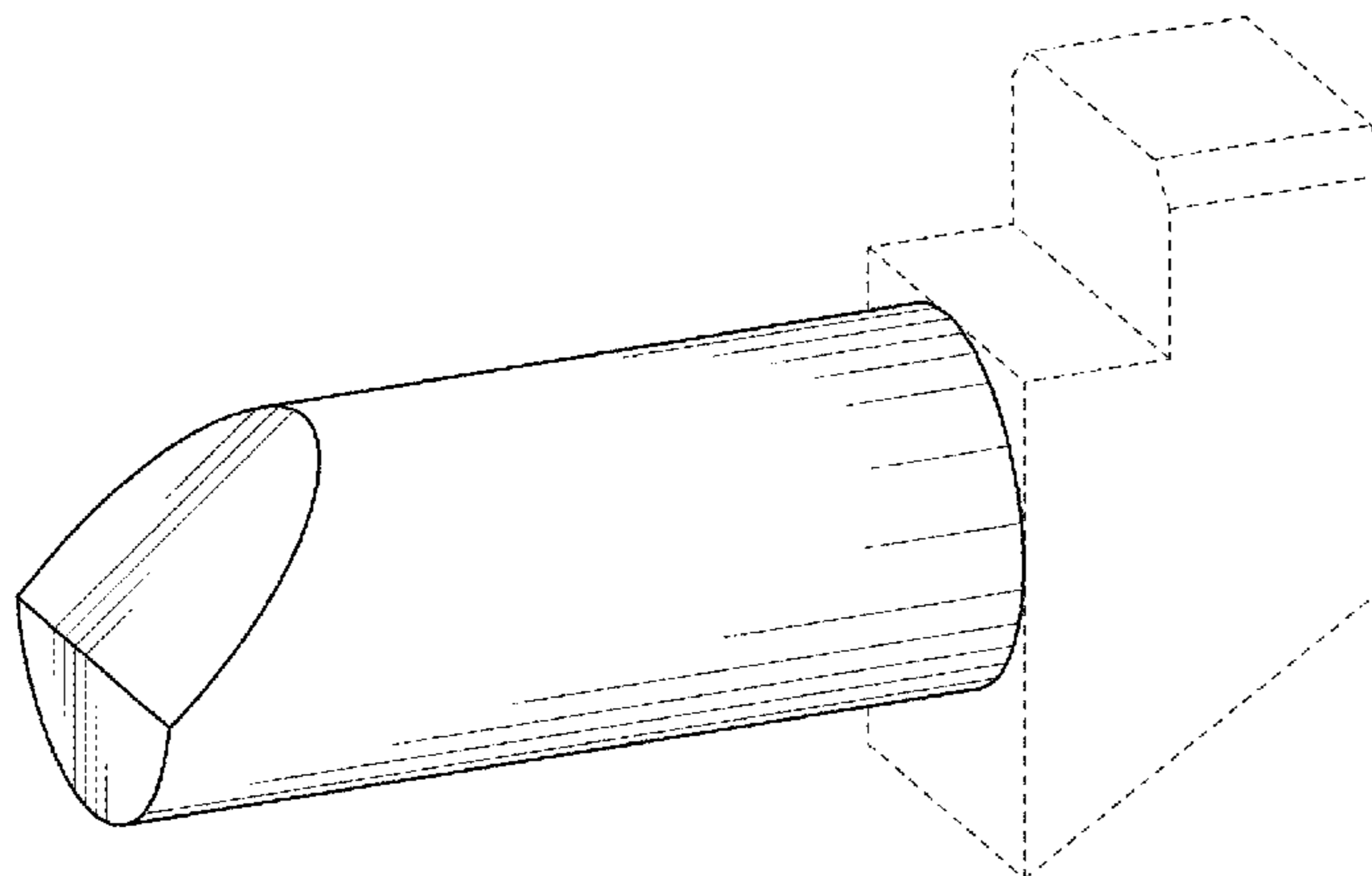
(57) **CLAIM**

The ornamental design for a spring pin, as shown and described.

**DESCRIPTION**

FIG. 1 is a perspective view of a spring pin showing my new design;  
FIG. 2 is a front view thereof;  
FIG. 3 is a back view thereof;  
FIG. 4 is a left-side view thereof;  
FIG. 5 is a right-side view thereof;  
FIG. 6 is a top view thereof; and,  
FIG. 7 is a bottom view thereof.  
Dashed lines are used solely for the purpose of illustrating parts of the invention that are not claimed, and form no part of the claimed design.

**1 Claim, 4 Drawing Sheets**



(56)

References Cited

U.S. PATENT DOCUMENTS

D353,397 S \* 12/1994 Banik ..... D19/66  
 5,483,040 A \* 1/1996 Fortune ..... B23K 3/0369  
 219/230  
 D380,249 S \* 6/1997 Bingham ..... D22/100  
 D385,468 S \* 10/1997 Wallach ..... D15/139  
 D401,489 S \* 11/1998 Ambrose ..... D8/70  
 D414,688 S \* 10/1999 Loeb ..... D9/697  
 D450,347 S \* 11/2001 Keda ..... D19/175  
 6,872,039 B2 \* 3/2005 Baus ..... F16B 21/125  
 411/347  
 6,874,498 B2 \* 4/2005 Oglesby ..... B23K 3/02  
 126/406  
 D510,105 S \* 9/2005 Cramer ..... D19/184  
 7,147,420 B2 \* 12/2006 Baus ..... F16B 19/109  
 411/347  
 D549,255 S \* 8/2007 Axinte ..... D15/144  
 D641,469 S \* 7/2011 Ruiz, Sr. .... D24/133  
 D660,513 S \* 5/2012 Palo ..... D28/4  
 D693,059 S \* 11/2013 Tani ..... D28/7  
 D707,227 S \* 6/2014 Chung ..... D14/411  
 D713,844 S \* 9/2014 Zerayohannes ..... D14/411  
 D748,326 S \* 1/2016 Taha ..... D27/163  
 D748,327 S \* 1/2016 Taha ..... D27/163  
 D753,737 S \* 4/2016 Zeiner ..... D15/139  
 D757,877 S \* 5/2016 Huang ..... D22/108  
 D762,804 S \* 8/2016 Gardner ..... D22/108  
 D773,003 S \* 11/2016 Meister ..... D22/108  
 D788,198 S \* 5/2017 Zeiner ..... D15/139  
 D797,377 S \* 9/2017 Reggiani ..... D28/89

9,791,229 B1 \* 10/2017 Cross ..... F41A 11/00  
 D801,747 S \* 11/2017 Hanneson ..... D7/397  
 9,909,828 B1 \* 3/2018 Klein ..... F41A 11/00  
 2015/0308768 A1 \* 10/2015 Mills ..... F41A 11/04  
 42/75.03

OTHER PUBLICATIONS

Cross Armory Quick Pins and Safe Mag Review/demo, YouTube.com, Reno May, Published on Apr. 18, 2017, [online], [site visited Jun. 1, 2018]. <URL: [https://www.youtube.com/watch?v=V\\_nAFSnlwjM](https://www.youtube.com/watch?v=V_nAFSnlwjM)> (Year: 2017).\*

Beveled Cylinder Lighted Touch Button in Brushed Nickel, 1800Doorbell.com, [online], [site visited Jun. 1, 2018]. <URL: <https://www.1800doorbell.com/beveled-cylinder-lighted-touch-button-in-brushed-nickel.htm>> (Year: 2018).\*

Soldering Tip—Plu Type—Chisel, SparkFun.com, [online], [site visited Jun. 1, 2018]. <URL: <https://www.sparkfun.com/products/retired/9529>> (Year: 2018).\*

Polymer Clay Tools, EtsyStudio.com, [online], [site visited Jun. 1, 2018]. <URL: [https://www.etsystudio.com/listing/217646428/polymer-clay-tools-wipe-out-tools?ref=related\\_like](https://www.etsystudio.com/listing/217646428/polymer-clay-tools-wipe-out-tools?ref=related_like)> (Year: 2018).\*

6" Half Round Nose Cape Chisel, SnapOn.com, [online], [site visited Jun. 1, 2018]. <URL: <https://store.snapon.com/Half-Round-Nose-Cape-Chisels-6-Half-Round-Nose-Cape-Chisel-P643945.aspx>> (Year: 2018).\*

Ball Lock Punches, TipcoPunch.com, [online], [site visited Jun. 1, 2018]. <URL: <https://www.tipcopunch.com/ball-lock-punches.html>> (Year: 2018).\*

\* cited by examiner

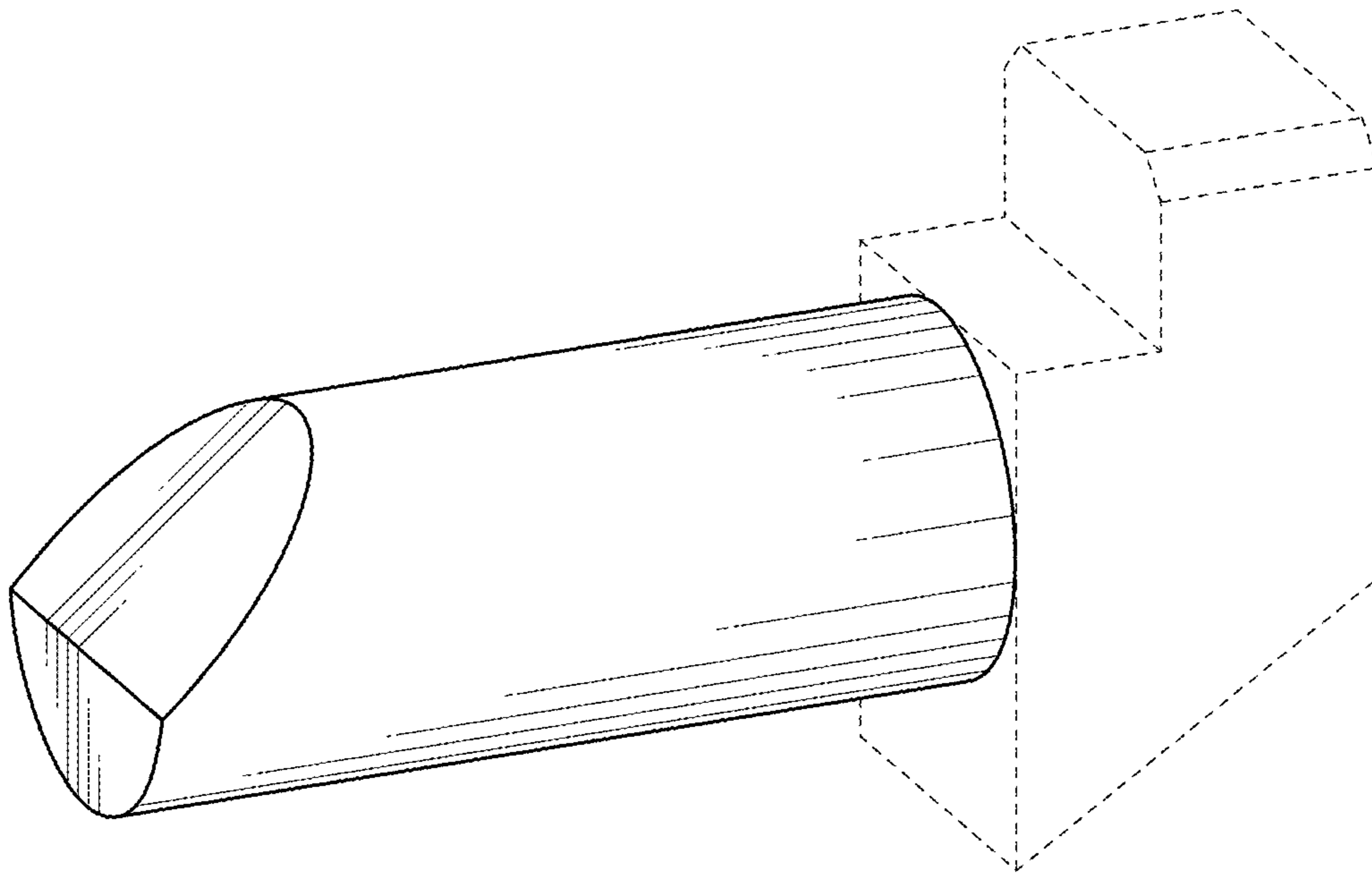


FIG. 1

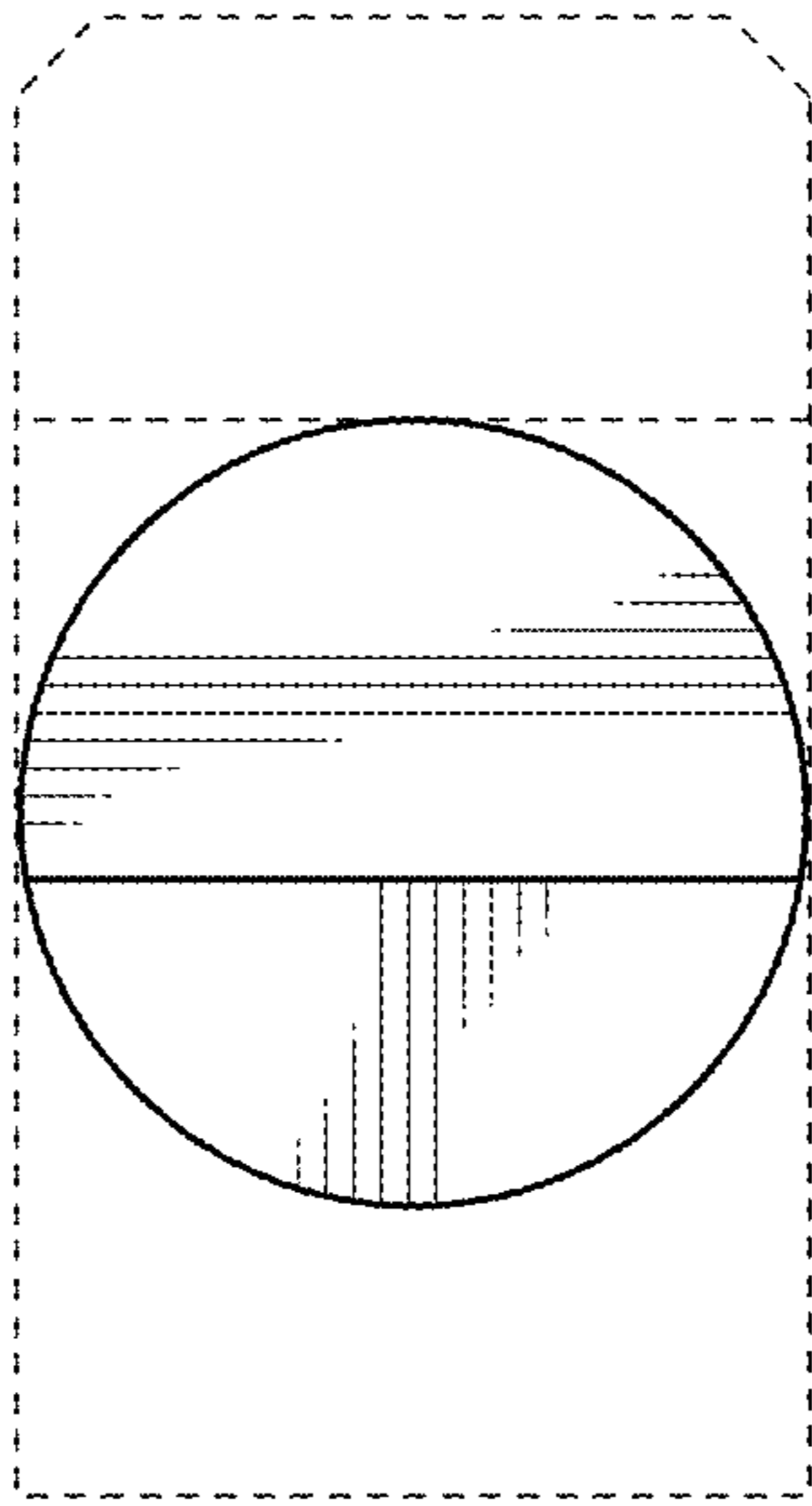


FIG. 2

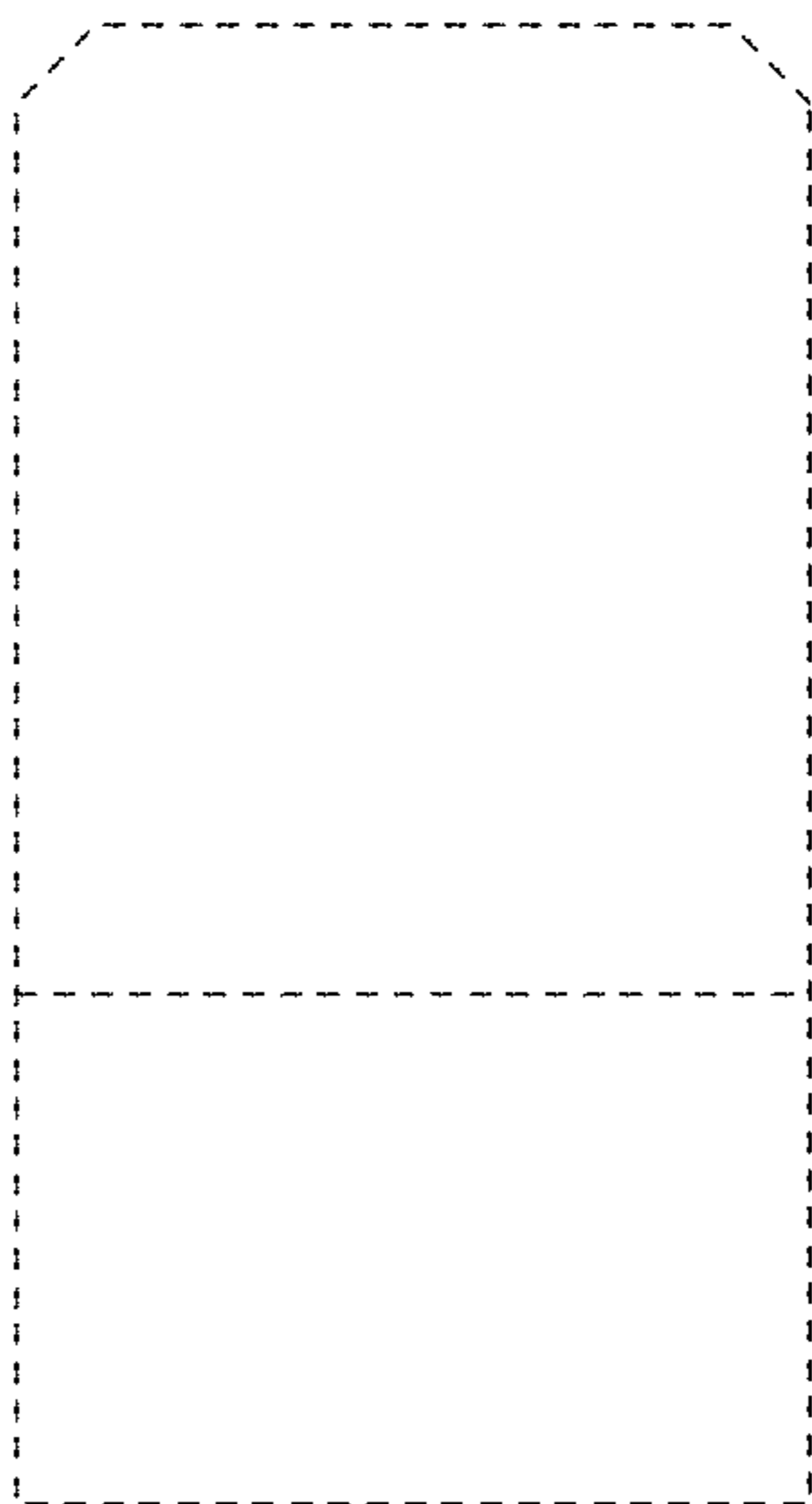


FIG. 3

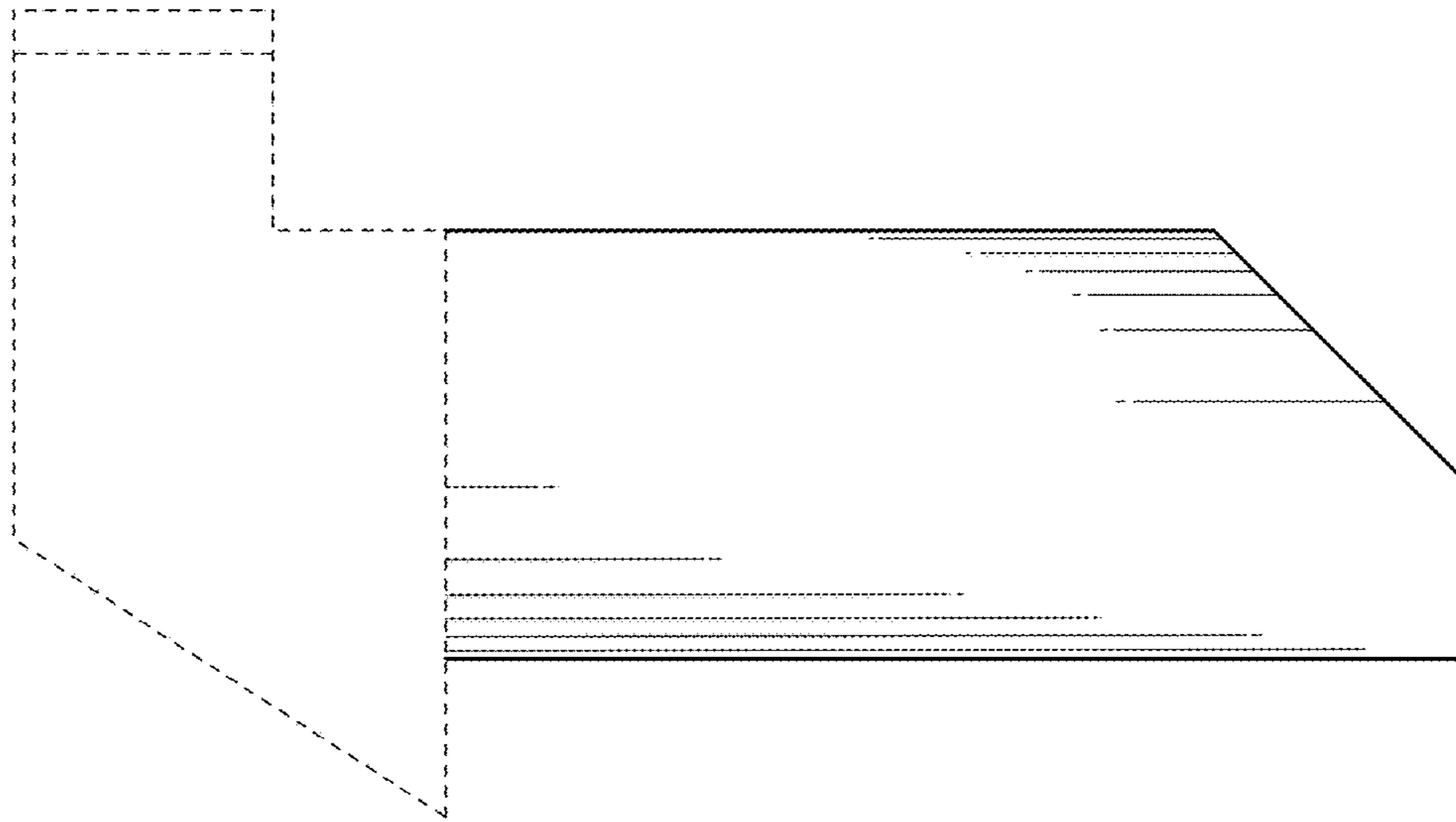


FIG. 4

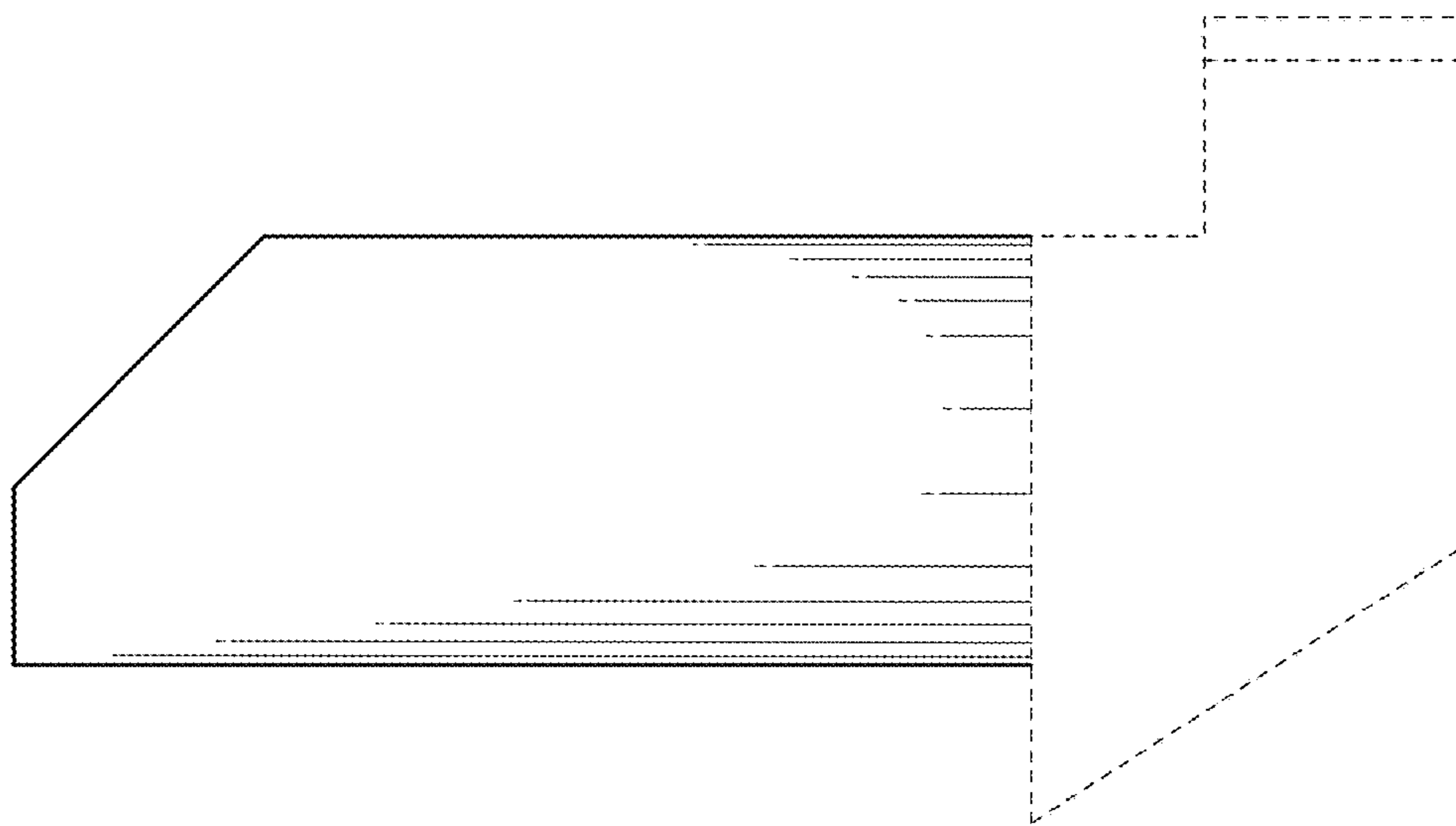


FIG. 5

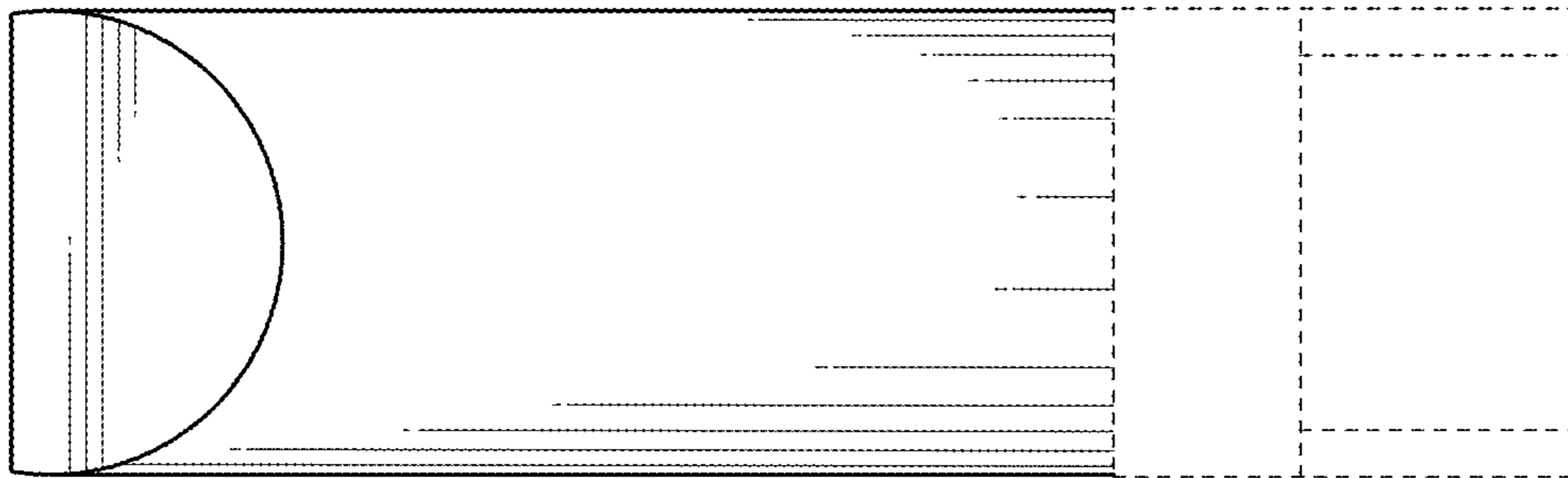


FIG. 6

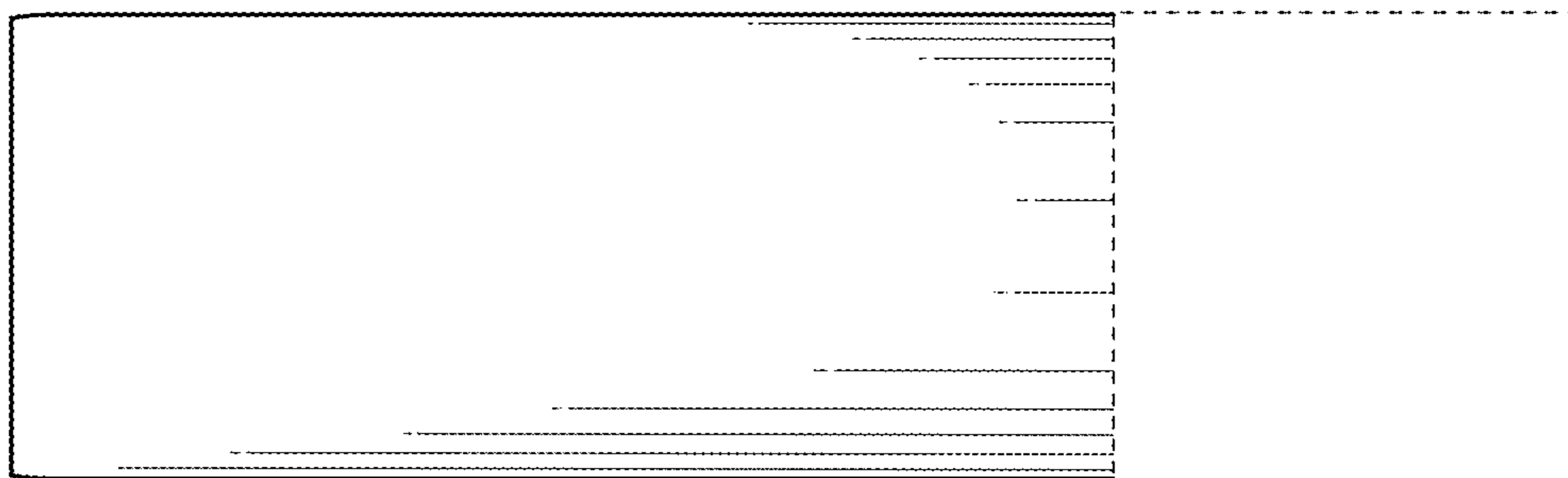


FIG. 7