



US00D829295S

(12) **United States Design Patent**
Buckner

(10) **Patent No.:** **US D829,295 S**

(45) **Date of Patent:** **** Sep. 25, 2018**

(54) **AMMO LOADER**

(71) Applicant: **Patrick T. Buckner**, San Tan Valley,
AZ (US)

(72) Inventor: **Patrick T. Buckner**, San Tan Valley,
AZ (US)

(**) Term: **15 Years**

(21) Appl. No.: **29/586,241**

(22) Filed: **Dec. 1, 2016**

(51) **LOC (11) Cl.** **22-01**

(52) **U.S. Cl.**
USPC **D22/108**

(58) **Field of Classification Search**
USPC D22/108–111, 199; 42/88, 90, 99, 106;
86/48; 89/45; D3/221, 222, 228, 229
CPC F42B 39/00; F42B 39/002; F42B 39/087;
F42B 39/10; F42B 39/26; F42B 5/26;
F41A 9/85; F41A 9/83; F41A 9/84; F41A
9/66
See application file for complete search history.

(56) **References Cited**

U.S. PATENT DOCUMENTS

2,403,012	A *	7/1946	McPheters	F41A 9/83 42/87
2,451,521	A *	10/1948	Uglum	F41A 9/83 244/155 A
3,032,907	A *	5/1962	Parker	F41A 9/84 42/88
4,074,511	A	2/1978	Chambley et al.		
4,392,321	A *	7/1983	Bosworth	F41A 9/83 42/87
4,614,052	A *	9/1986	Brown	F41A 9/83 42/50
4,706,402	A	11/1987	Csongor		
4,872,279	A *	10/1989	Boat	F41A 9/67 42/87

D318,313	S *	7/1991	Bechtel	D22/110
5,355,606	A	10/1994	Origoni		
D405,147	S *	2/1999	Cash	D22/100
D477,047	S	7/2003	Springer		

(Continued)

OTHER PUBLICATIONS

Sig Sauer / GSG 1911 22LR Magazine Loader, Taylor-Tactical-Supply.com, [online], [site visited Jan. 30, 2018]. <URL: https://www.taylor-tactical-supply.com/1911-22-mag-loader-p/1911-22-mag-loader.htm> (Year: 2018).*

(Continued)

Primary Examiner — T Chase Nelson
Assistant Examiner — Jonathan J. Han
(74) *Attorney, Agent, or Firm* — R. Keith Harrison

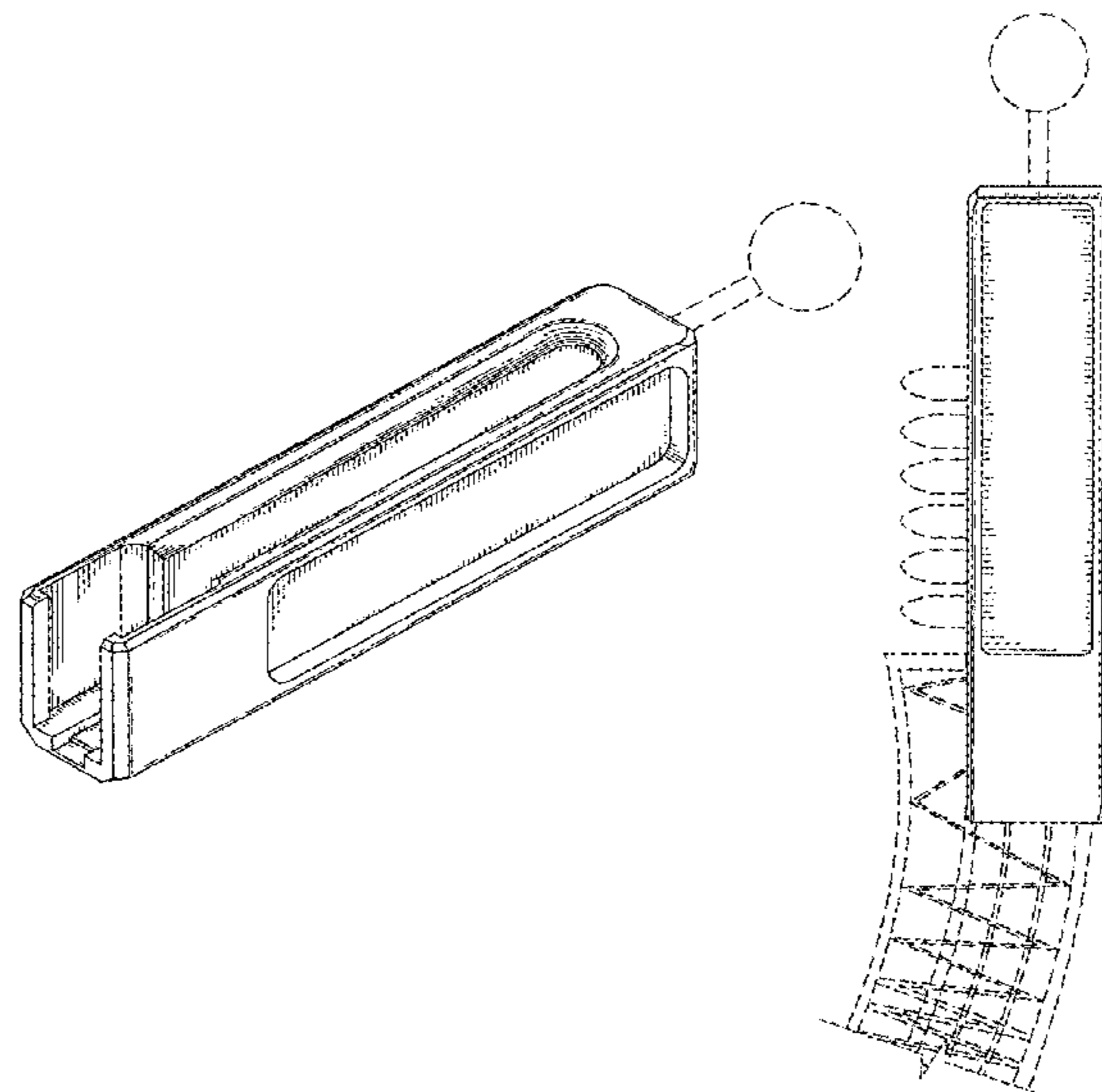
(57) **CLAIM**

The ornamental design for an ammo loader, as shown and described.

DESCRIPTION

FIG. 1 is a left side front perspective view of the ammo loader with the unclaimed loading plunger in extended position;
FIG. 2 is a top view thereof;
FIG. 3 is a bottom view thereof;
FIG. 4 is a front view thereof;
FIG. 5 is a rear view thereof;
FIG. 6 is a left side view thereof;
FIG. 7 is a right side view thereof; and,
FIG. 8 is a left side view of the ammo loader in use showing unclaimed plunger, ammo clip, ammo rounds, and magazine.
Broken lines are used to depict the unclaimed loading plunger in FIGS. 1 through 7 as well as the unclaimed indentation in FIG. 3 and loading plunger, ammo clip, ammo rounds, and cross-sectional view of a magazine in FIG. 8, that do not form a part of the claimed design.

1 Claim, 3 Drawing Sheets



(56)

References Cited

U.S. PATENT DOCUMENTS

6,754,987 B1 6/2004 Cheng et al.
 D503,960 S * 4/2005 Gangi D22/108
 D527,067 S * 8/2006 Sellars D22/108
 7,257,919 B1 * 8/2007 Farley F41A 9/83
 42/87
 7,614,534 B2 * 11/2009 Veo G07F 11/16
 224/196
 7,805,874 B2 * 10/2010 Tal F41A 9/84
 42/87
 7,866,080 B2 * 1/2011 Tucker F41A 9/83
 42/87
 8,209,896 B1 * 7/2012 Cashwell F41A 23/18
 206/317
 8,316,567 B2 * 11/2012 Douglas F41A 9/67
 42/50
 D697,999 S * 1/2014 Firment D22/108
 8,898,946 B1 * 12/2014 Johnson F41A 17/36
 42/49.02
 9,091,500 B1 * 7/2015 Kim F41A 9/83
 9,273,917 B1 * 3/2016 Buckner F41A 9/83
 D790,030 S * 6/2017 Ulbrich D22/108
 9,689,633 B1 * 6/2017 Plate F41A 9/83
 9,709,352 B1 * 7/2017 Hess F41A 9/84
 9,772,152 B1 * 9/2017 Niccum F41A 9/82
 2004/0020096 A1 * 2/2004 Tal F41A 9/83
 42/87
 2005/0081421 A1 * 4/2005 Guy F41A 9/83
 42/88
 2009/0044440 A1 * 2/2009 Tal F41A 9/84
 42/87
 2009/0100734 A1 * 4/2009 Swan F41C 23/16
 42/71.01

2013/0061505 A1 * 3/2013 Faifer F41A 9/83
 42/87
 2014/0317985 A1 * 10/2014 Cauley, Jr. F41A 9/83
 42/87
 2017/0067707 A1 * 3/2017 Zivic F41A 9/83
 2017/0089653 A1 * 3/2017 Plate F41A 9/83
 2017/0328658 A1 * 11/2017 Butler F41A 9/64

OTHER PUBLICATIONS

AR15/M4 5.56/.223 Range BenchLoader 30rd loader, Maglula.com, [online], [site visited Jan. 30, 2018]. <URL: <http://www.maglula.com/product/ar15-m4-pmag-range-benchloader-5-56-223/>> (Year: 2018).*

A Cammo Brothers AR15/M16 MAG Loader, SpeedLoaderz.net, [online], [site visited Jan. 30, 2018].<URL: <https://speedloaderz.net/products/cammo-brothers-ar15m16-loader>> (Year: 2018).*

Maglula StripLULA Stripper Clip and Magazine Loader, MidwayUSA.com, [online], [site visited Jan. 30, 2018]. <URL: <https://www.midwayusa.com/product/1015160022/maglula-striplula-stripper-clip-and-magazine-loader-and-unloader-ar-15-223-remington-556x45mm>> (Year: 2018).*

AR-15 M16 Speedloader Magazine Loader, Raelnd.com, [online], [site visited Jan. 30, 2018].<URL: <https://www.raelnd.com/products/ar-15-m16-speedloader-magazine-loader-223-556-rae-721>> (Year: 2018).*

Thermold M16 AR15 Magazine Loader, LibertyTreeCollectors.com, [online], [site visited Jan. 30, 2018]. <URL: <https://www.libertytreecollectors.com/productcart/pc/viewPrd.asp?idproduct=1030>> (Year: 2018).*

AR15 Magazine Loader, RedDirtShootingSports.com, [online], [site visited Jan. 30, 2018]. <URL: <http://reddirtshootingsports.com/ar15-magazine-loader/>> (Year: 2018).*

* cited by examiner

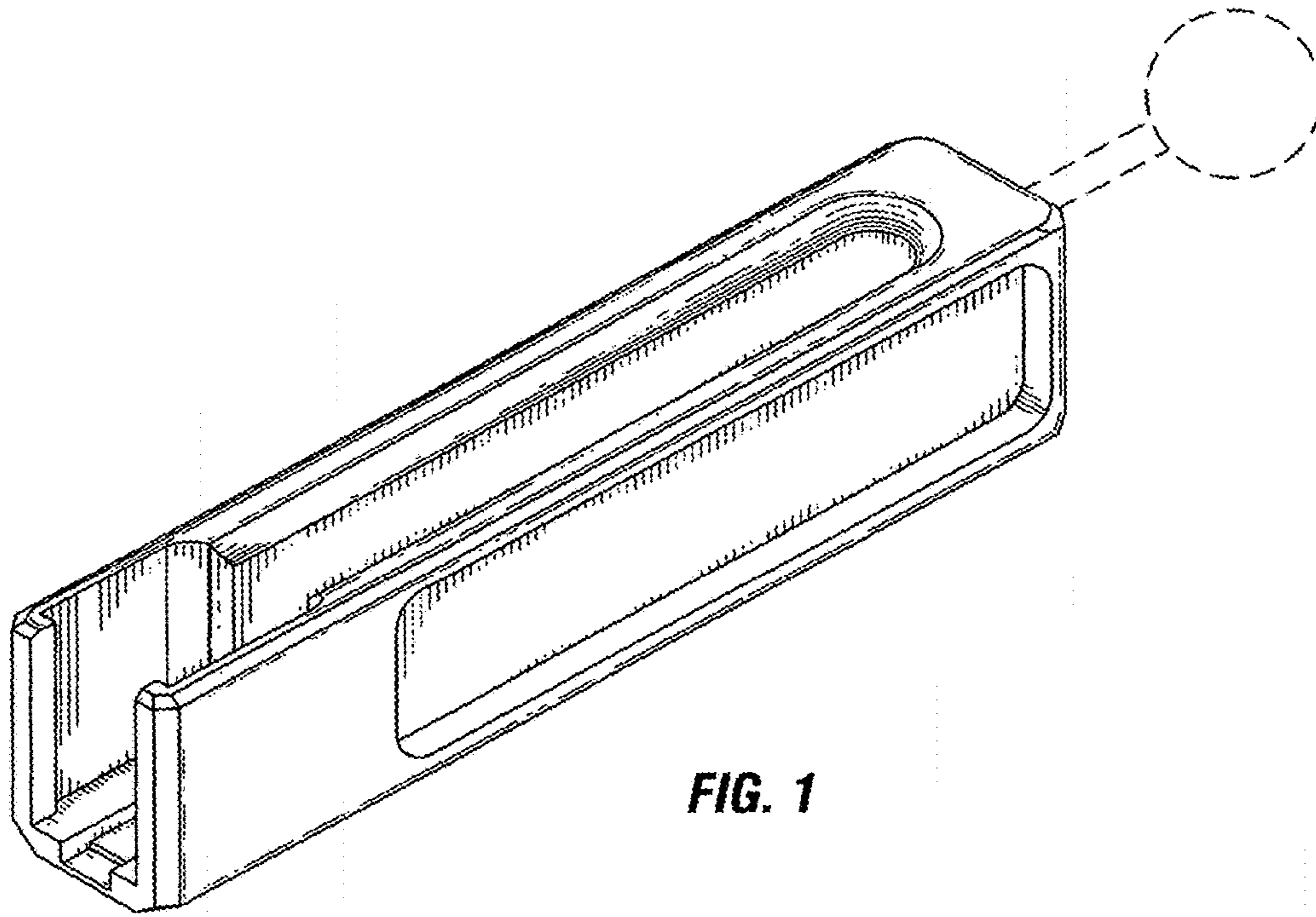


FIG. 1

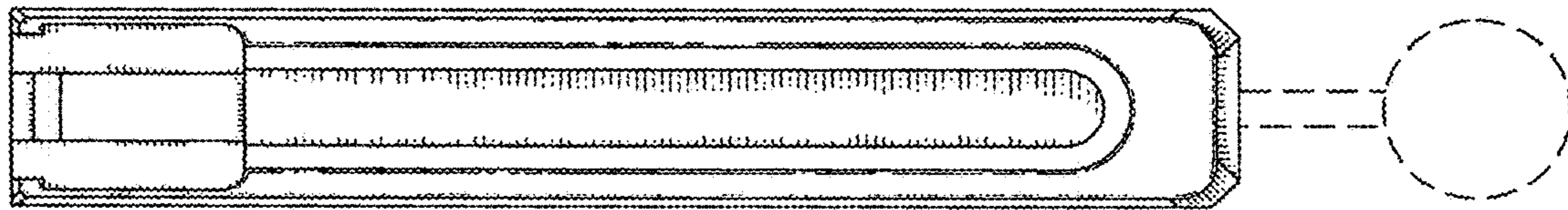


FIG. 2



FIG. 3

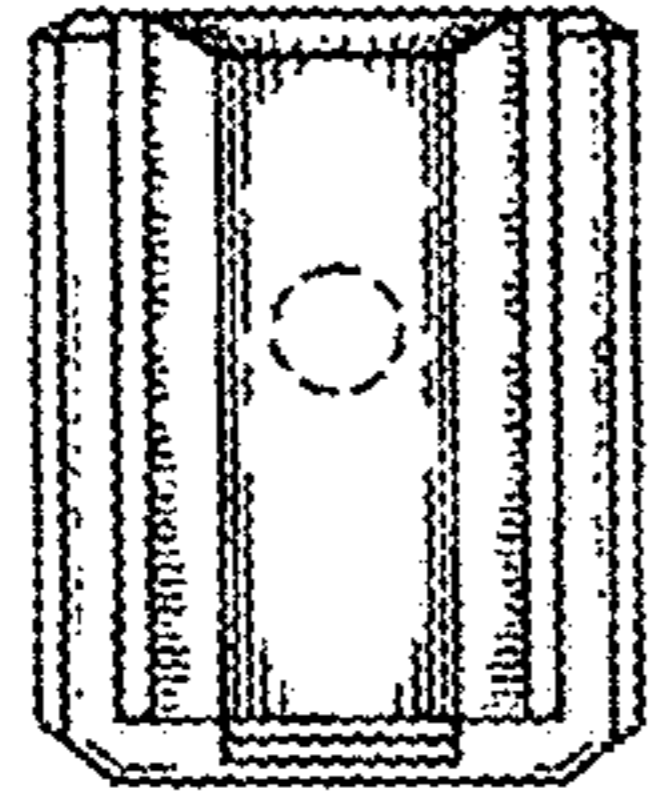


FIG. 4

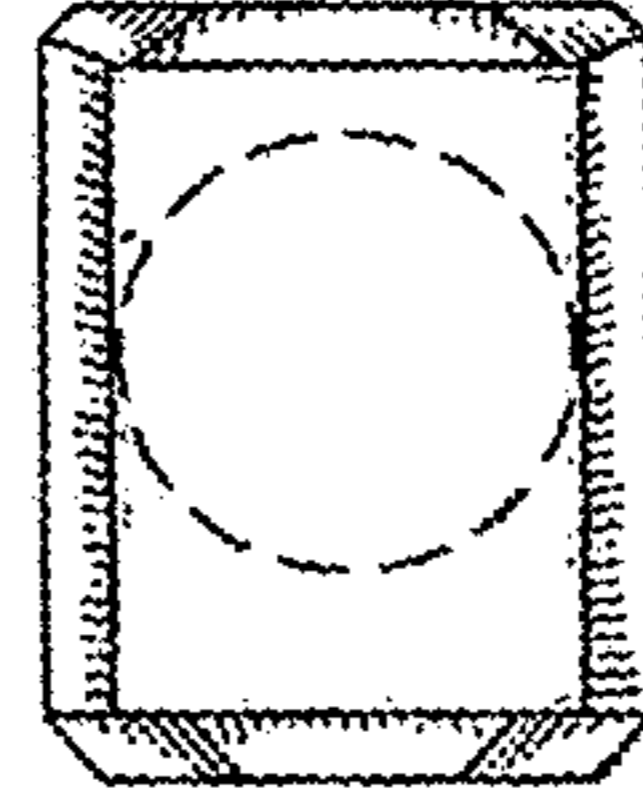


FIG. 5

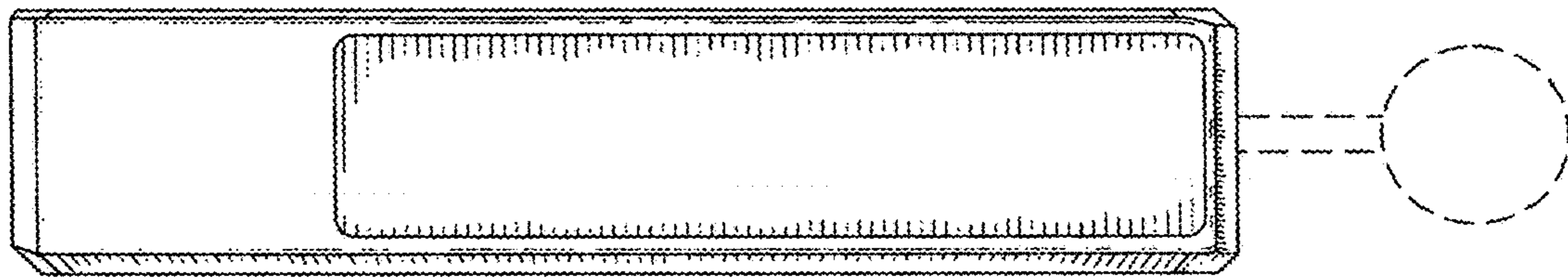


FIG. 6



FIG. 7

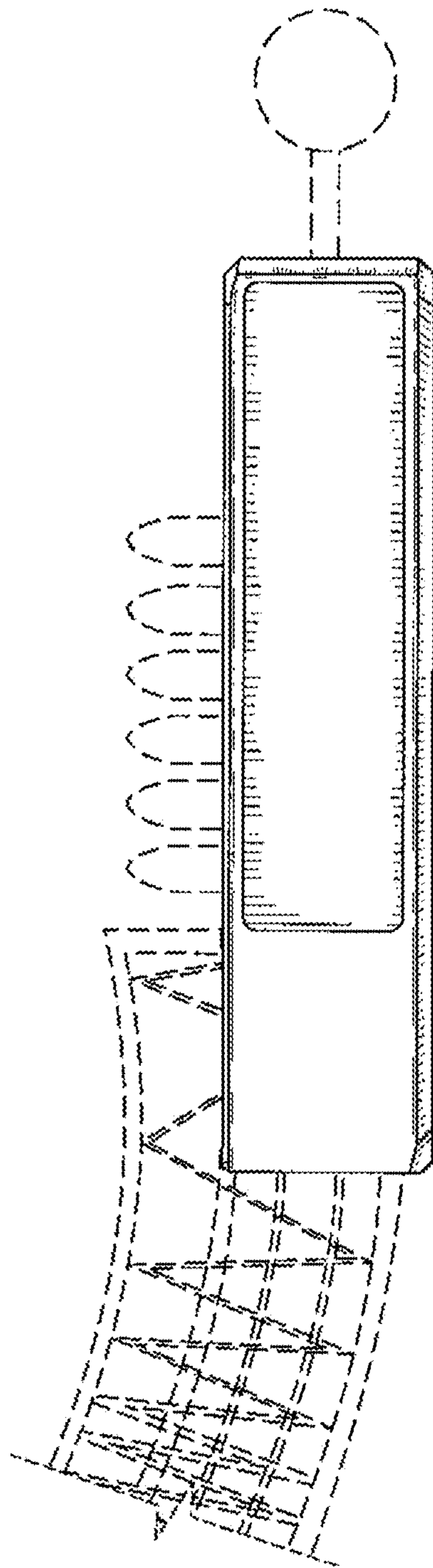


FIG. 8