



US00D829293S

(12) **United States Design Patent**
Hefer et al.

(10) **Patent No.:** **US D829,293 S**

(45) **Date of Patent:** **** Sep. 25, 2018**

- (54) **RIFLE MAGAZINE LOADER PORTION**
- (71) Applicant: **VISTA OUTDOOR OPERATIONS LLC**, Farmington, UT (US)
- (72) Inventors: **Brandon Thomas Hefer**, St. Louis, MO (US); **Brandon Karl Trostrud**, St. Louis, MO (US)
- (73) Assignee: **Vista Outdoor Operations LLC**, Farmington, UT (US)
- (**) Term: **15 Years**
- (21) Appl. No.: **29/578,177**
- (22) Filed: **Sep. 19, 2016**

- 2,362,109 A 11/1944 Whitmore
- 2,394,033 A 2/1946 Wossum
- 2,403,012 A 7/1946 McPheters
- 2,451,521 A 10/1948 Uglum
- 2,452,600 A 11/1948 Pool et al.
- 2,462,836 A 3/1949 Barker et al.
- 2,466,017 A 4/1949 Farber
- 2,493,048 A 1/1950 Wangrow
- 2,514,277 A 7/1950 Donallan
- 2,531,387 A 11/1950 Bilodeau
- 2,659,173 A 11/1953 Capito
- 2,783,570 A 3/1957 Kunz
- 2,803,985 A 8/1957 Hull
- 2,830,498 A 4/1958 Maillard
- 2,834,137 A 5/1958 Kunz
- 2,856,720 A 10/1958 Kunz
- 2,862,324 A 12/1958 Ball
- 2,885,811 A 5/1959 Womble, Jr.
- 2,887,811 A 5/1959 Johnson, Jr.
- 3,045,525 A 7/1962 Stadelmann

(Continued)

Related U.S. Application Data

- (63) Continuation-in-part of application No. 29/571,879, filed on Jul. 22, 2016.
- (51) **LOC (11) Cl.** **22-01**
- (52) **U.S. Cl.**
USPC **D22/108**
- (58) **Field of Classification Search**
USPC D22/108
CPC F41A 9/83; F41A 9/82
See application file for complete search history.

References Cited

U.S. PATENT DOCUMENTS

- 1,085,125 A 1/1914 Hoagland
- 1,786,537 A 12/1930 Holek
- 1,840,477 A 1/1932 Frommer
- 2,014,177 A 9/1935 Herlach et al.
- 2,137,491 A 11/1938 Huff
- 2,191,130 A 2/1940 Ludwig
- 2,210,931 A 8/1940 Harris
- 2,345,593 A 4/1944 Garand

Primary Examiner — Michael Aaron Pratt

(74) *Attorney, Agent, or Firm* — Christensen, Fonder, Dardi & Herbert PLLC

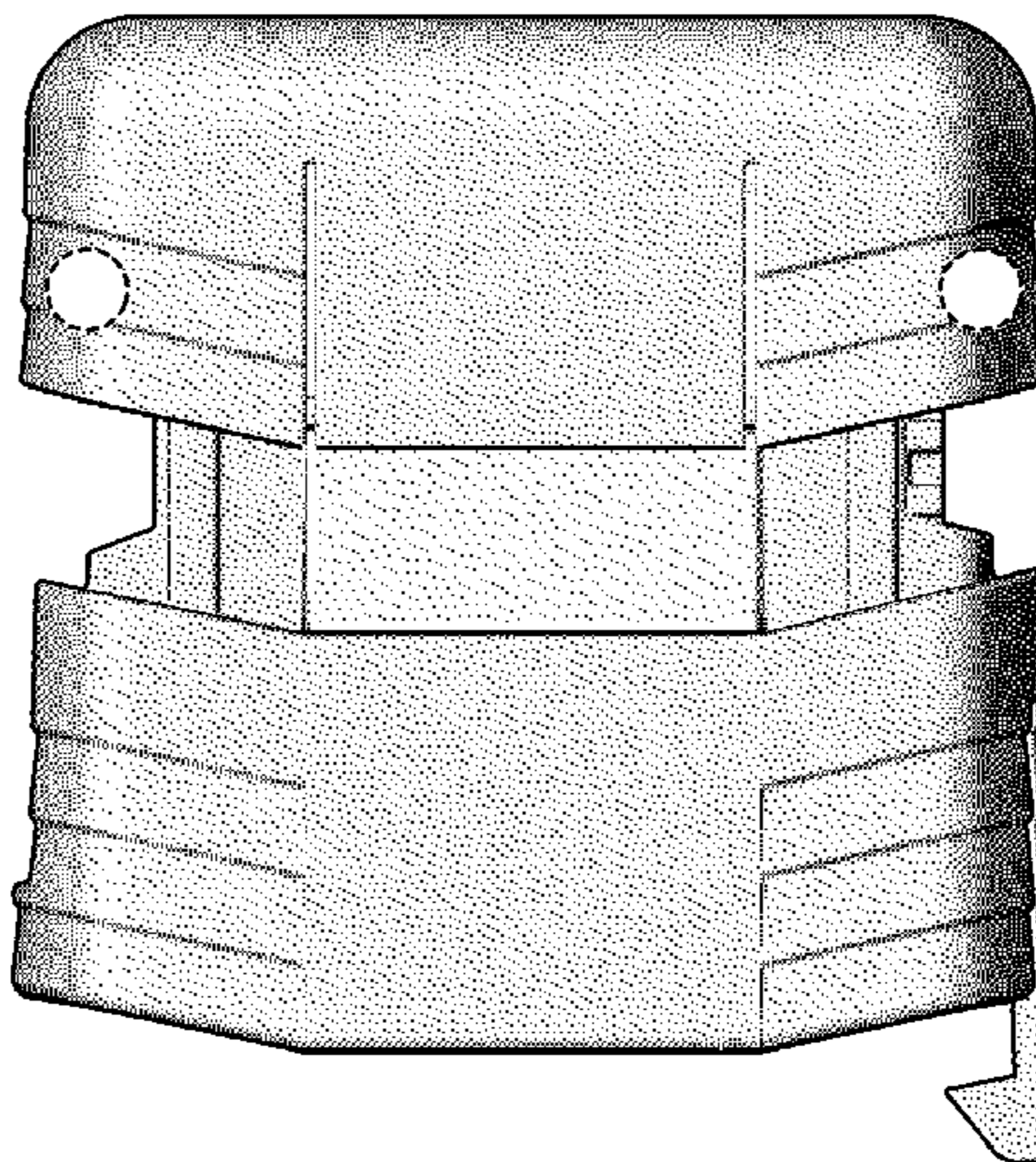
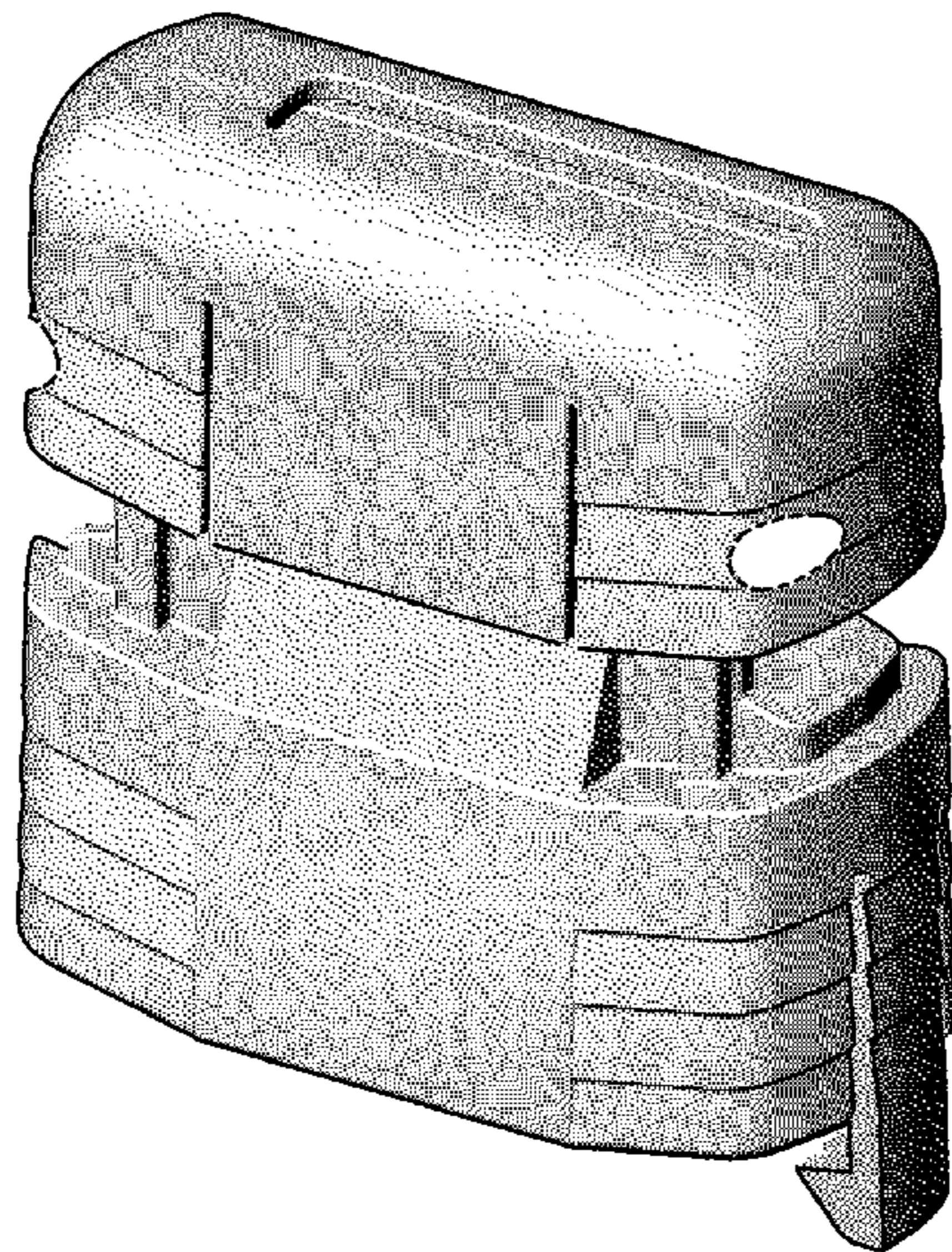
(57) **CLAIM**

We claim the ornamental design for a rifle magazine loader portion, as shown and described.

DESCRIPTION

FIG. 1 is a perspective view of a rifle magazine loader portion showing our new design;
 FIG. 2 is a front view thereof;
 FIG. 3 is a rear view thereof;
 FIG. 4 is a left side view thereof;
 FIG. 5 is a right side view thereof;
 FIG. 6 is a top view thereof; and,
 FIG. 7 is a bottom view thereof.
 Broken lines shown in the drawings illustrate structure or features which form no part of the claimed design.

1 Claim, 7 Drawing Sheets



(56)

References Cited

U.S. PATENT DOCUMENTS

3,263,664 A *	8/1966	Bauer F41A 9/83 124/49	6,754,987 B1	6/2004	Cheng et al.
3,292,293 A *	12/1966	Chiasera B65D 83/04 222/267	6,807,764 B1	10/2004	Phillips
3,509,655 A	5/1970	Wilhelm		6,810,616 B2	11/2004	Tal et al.
3,526,028 A	9/1970	Winch		6,817,134 B2	11/2004	Newman
3,710,497 A	1/1973	Musgrave		7,059,077 B2	6/2006	Tal et al.
3,789,531 A	2/1974	Kersten		7,257,919 B1	8/2007	Farley
3,854,232 A	12/1974	Musgrave		7,383,657 B2	6/2008	Pikielny
3,939,590 A	2/1976	Musgrave		7,487,613 B2	2/2009	Taylor
3,991,501 A	11/1976	Larsson		7,503,138 B2	3/2009	Tal et al.
4,152,857 A	5/1979	Ketterer		D604,792 S	11/2009	Stanley
4,291,483 A	9/1981	Musgrave		7,637,048 B2	12/2009	Tal et al.
4,304,062 A	12/1981	Pepe et al.		7,805,874 B2	10/2010	Tal et al.
4,352,254 A	10/1982	Peter et al.		8,065,830 B2	11/2011	Twardy
4,392,321 A	7/1983	Bosworth		8,234,810 B2	8/2012	Lee, III
4,425,834 A	1/1984	Lohmann		8,356,441 B2	1/2013	Meinel
4,452,002 A	6/1984	Musgrave		8,453,366 B2	6/2013	Gray
4,464,855 A	8/1984	Musgrave		8,484,874 B2	7/2013	Kim
4,488,371 A	12/1984	Boyles		D700,266 S	2/2014	Tal et al.
4,538,371 A	9/1985	Howard		8,650,792 B1	2/2014	Overmars
4,564,125 A *	1/1986	Esslinger F42B 39/002 124/45	8,726,561 B1	5/2014	Hampton
D282,680 S	2/1986	Boyles		8,915,007 B1	12/2014	Williams
4,570,371 A	2/1986	Mears		8,931,199 B1	1/2015	Cauley, Jr. et al.
4,574,511 A	3/1986	Csongor		D728,065 S	4/2015	Tal et al.
4,614,052 A	9/1986	Brown et al.		9,003,687 B2	4/2015	Cauley, Jr. et al.
4,688,344 A	8/1987	Kim		9,057,570 B1	6/2015	Tal et al.
4,689,909 A *	9/1987	Howard F41A 9/83 42/87	9,091,500 B1	7/2015	Kim
4,706,402 A	11/1987	Csongor		9,115,943 B1	8/2015	Jordan
4,707,941 A	11/1987	Eastman		9,182,185 B2	11/2015	Hatch
4,719,715 A	1/1988	Howard		9,212,859 B1	12/2015	Tal et al.
4,736,667 A	4/1988	Kochevar et al.		9,239,198 B2	1/2016	McPhee
4,739,572 A	4/1988	Brandenburg		9,273,917 B1	3/2016	Buckner
4,813,169 A	3/1989	Calliebe		D753,781 S	4/2016	Cauley, Jr. et al.
D300,549 S	4/1989	Crow		9,303,934 B1	4/2016	Kazsuk
4,827,651 A	5/1989	Conkey		D755,325 S	5/2016	Cauley, Jr. et al.
4,829,693 A	5/1989	Holmes		9,347,722 B1	5/2016	Morris
4,872,279 A	10/1989	Boat		9,459,063 B1	10/2016	Gattorna
4,879,829 A	11/1989	Miller et al.		D770,588 S	11/2016	Cauley, Jr. et al.
4,888,902 A	12/1989	Knowles		9,772,152 B1	9/2017	Niccum
4,939,862 A	7/1990	Brandenburg et al.		2003/0046854 A1	3/2003	Urchek
4,949,495 A	8/1990	Mari		2003/0226306 A1	12/2003	Hines
4,967,723 A *	11/1990	Cutrell F41B 11/51 124/50	2004/0020096 A1	2/2004	Tal et al.
4,970,820 A	11/1990	Miller et al.		2004/0159035 A1	8/2004	Newman
4,993,180 A	2/1991	Upchurch		2004/0159036 A1	8/2004	Newman
5,074,070 A	12/1991	Kuykendall		2007/0017140 A1	1/2007	Pikielny
5,129,173 A	7/1992	Kuykendall		2007/0137086 A1	6/2007	Price
5,249,386 A	10/1993	Switzer		2008/0184608 A1	8/2008	Tal et al.
5,301,449 A	4/1994	Jackson		2009/0044440 A1	2/2009	Tal et al.
5,355,606 A	10/1994	Origoni		2010/0175294 A1	7/2010	Meinel
5,377,436 A	1/1995	Switzer		2012/0152221 A1	6/2012	Meggs
5,402,594 A	4/1995	Switzer		2012/0192477 A1	8/2012	Kim
5,417,003 A	5/1995	Claveau		2012/0222343 A1	9/2012	Kim
5,669,171 A	9/1997	Sally		2013/0061505 A1	3/2013	Faifer
6,178,683 B1	1/2001	Williams		2013/0232843 A1	9/2013	Bajuelo
6,189,254 B1	2/2001	Steitz		2014/0033592 A1	2/2014	Fiorucci
6,219,953 B1	4/2001	Bentley		2014/0223792 A1	8/2014	Socivoi
6,286,243 B1	9/2001	Hinton		2014/0298704 A1	10/2014	Niccum
D477,047 S	7/2003	Springer		2014/0311008 A1	10/2014	McPhee
6,678,985 B2	1/2004	Pikula		2014/0317985 A1	10/2014	Cauley, Jr. et al.
				2015/0316341 A1	11/2015	Aguilar
				2015/0377573 A1	12/2015	Niccum
				2016/0025437 A1	1/2016	Slocum
				2016/0102932 A1	4/2016	Cobb
				2017/0051992 A1	2/2017	Cottrell et al.
				2017/0211902 A1	7/2017	Mills
				2018/0058785 A1 *	3/2018	Hefer F41A 9/83
				2018/0066907 A1	3/2018	Hefer et al.

* cited by examiner

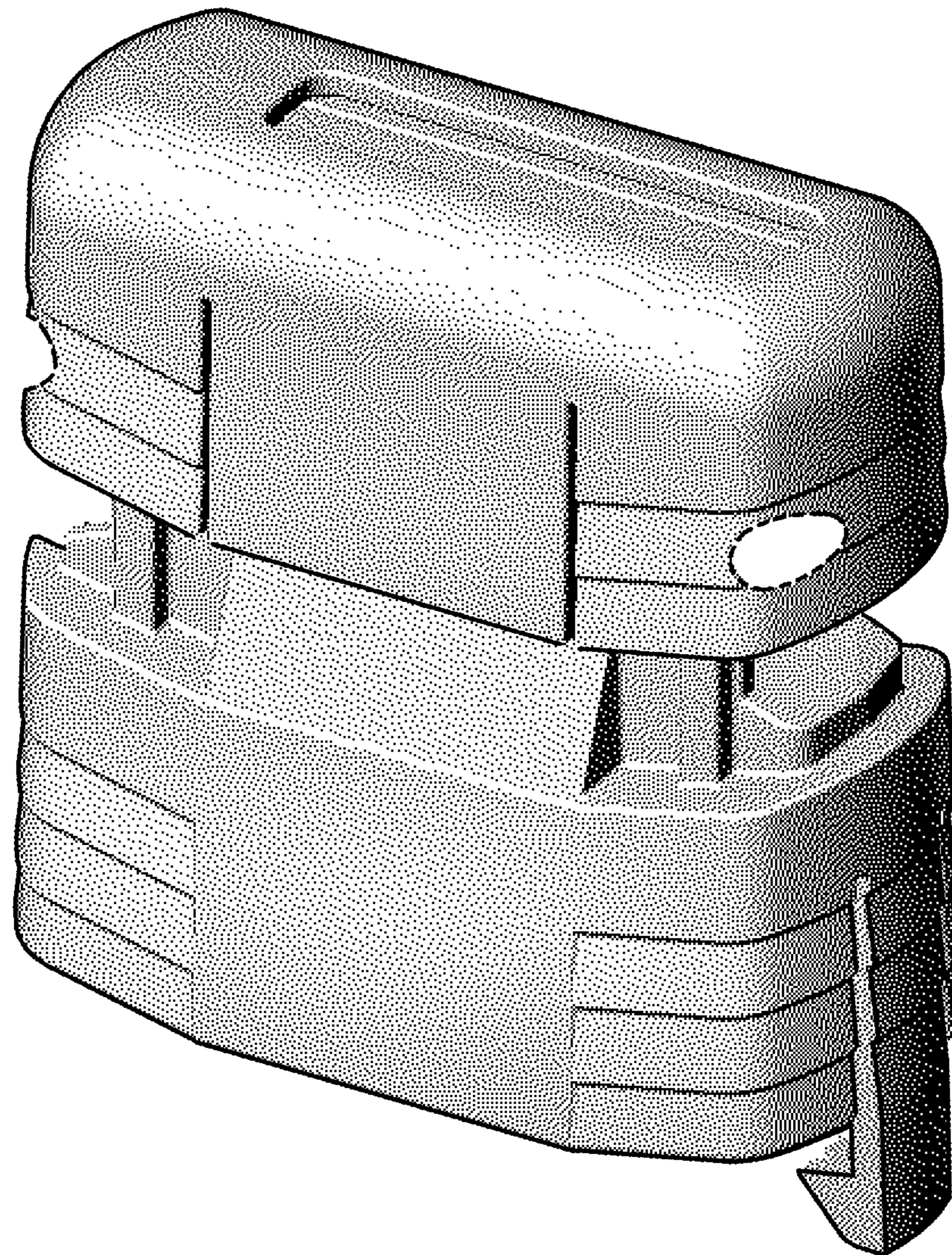


FIG. 1

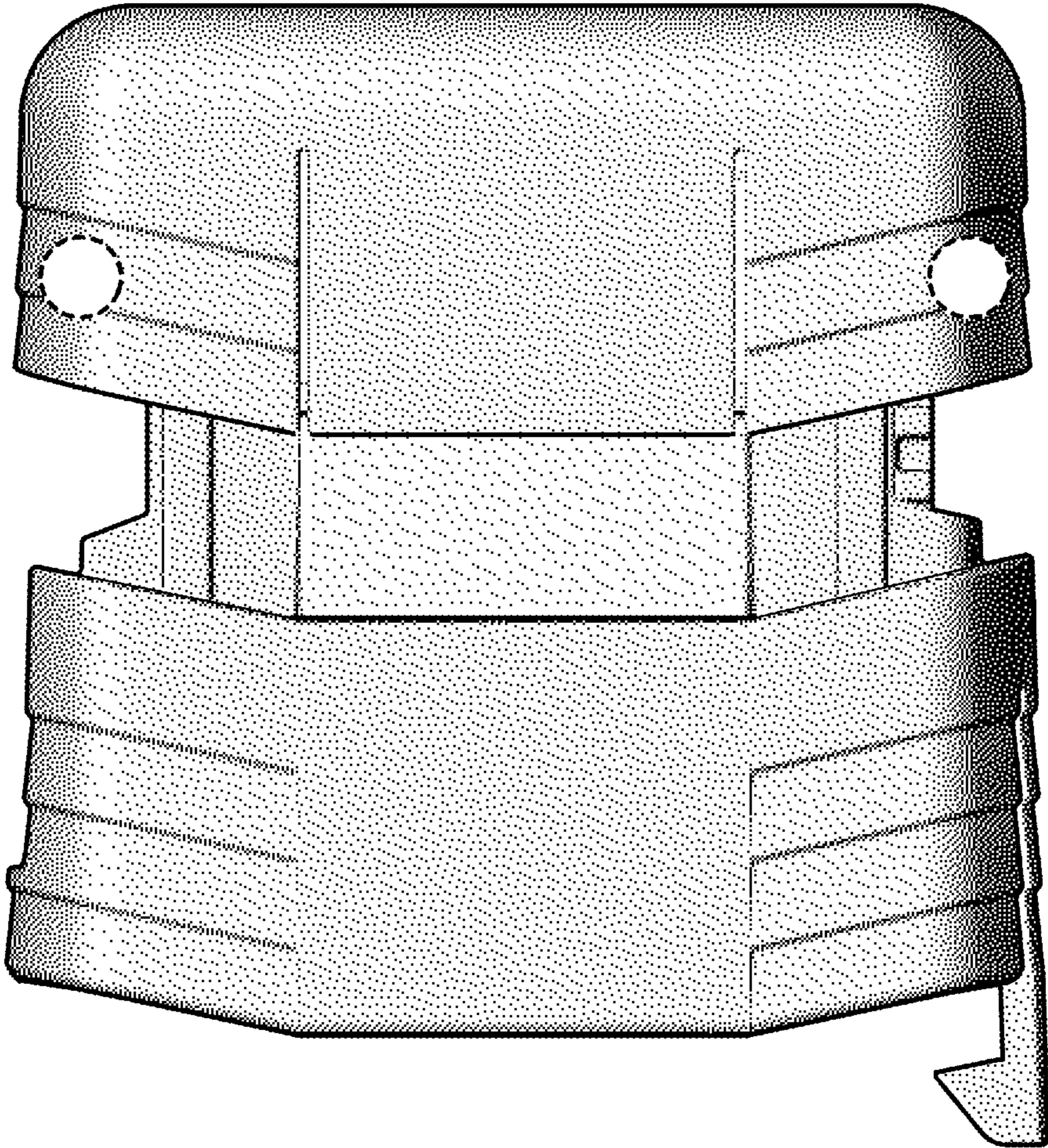


FIG. 2

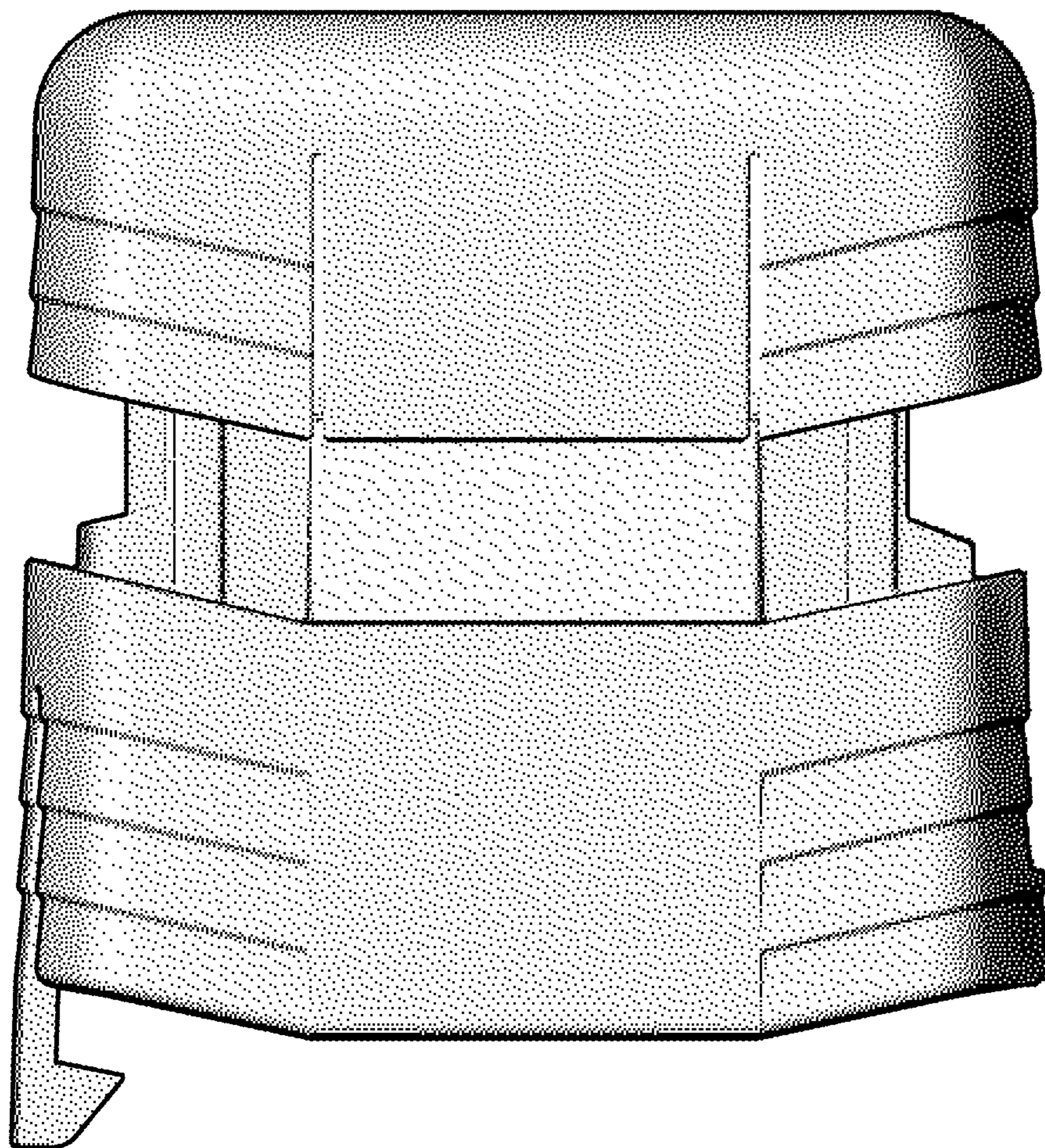


FIG. 3

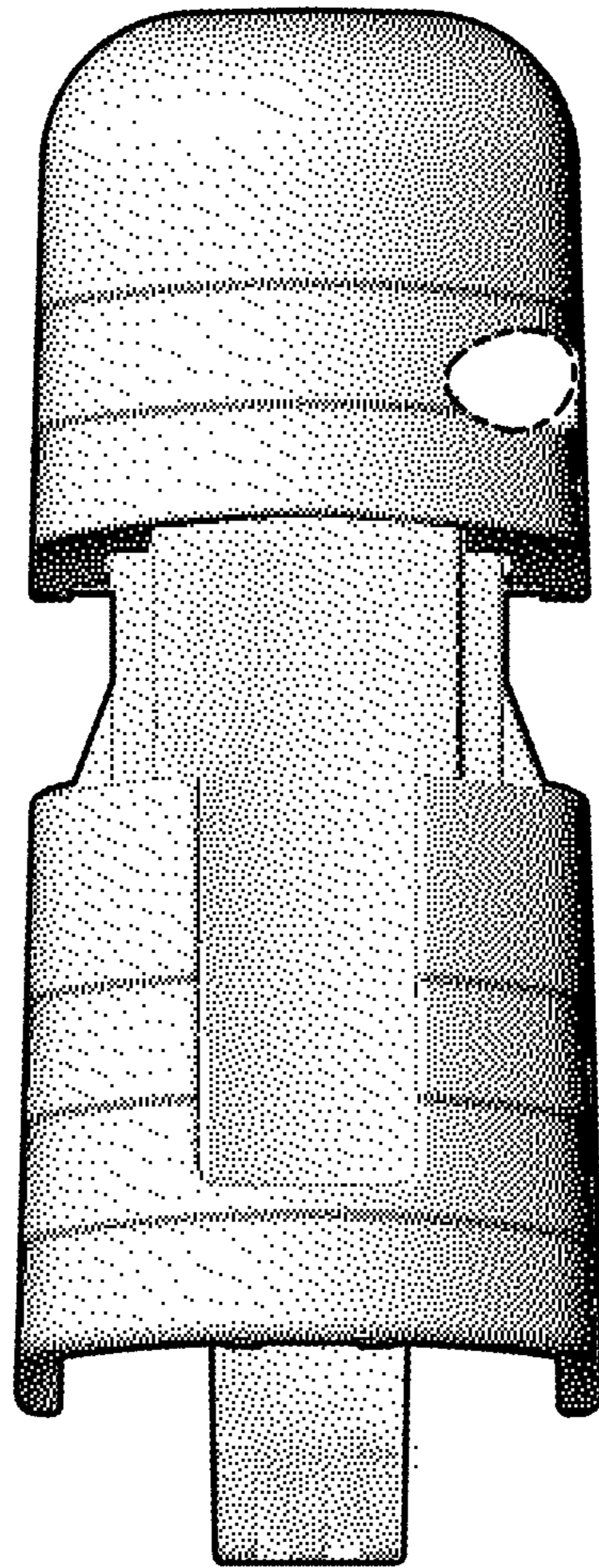


FIG. 4

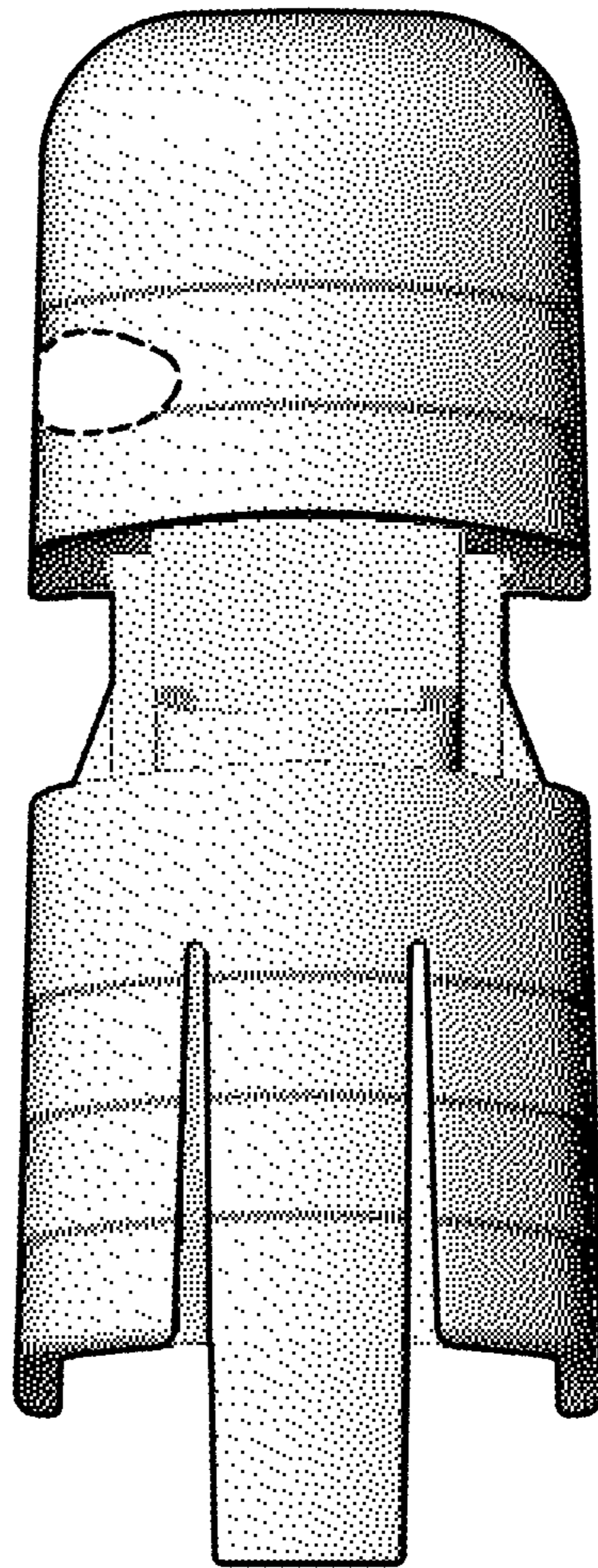


FIG. 5

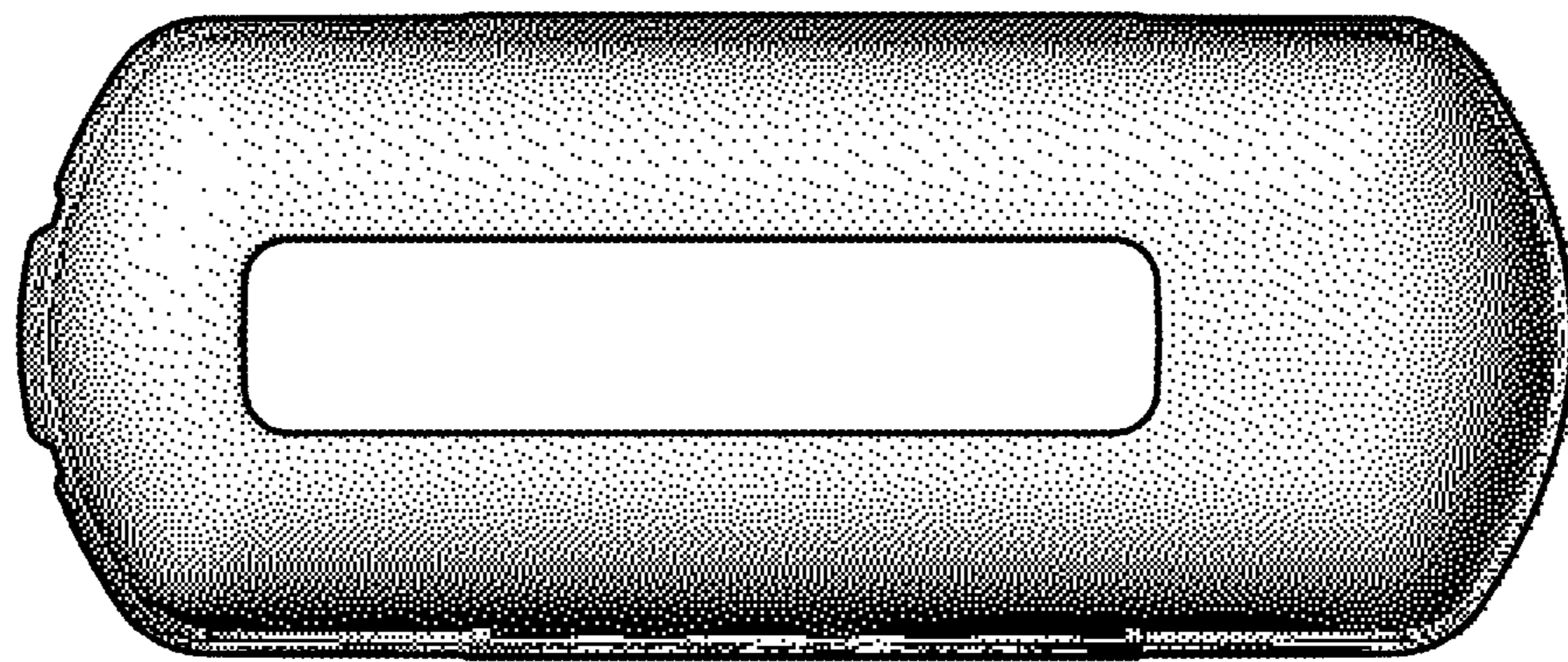


FIG. 6

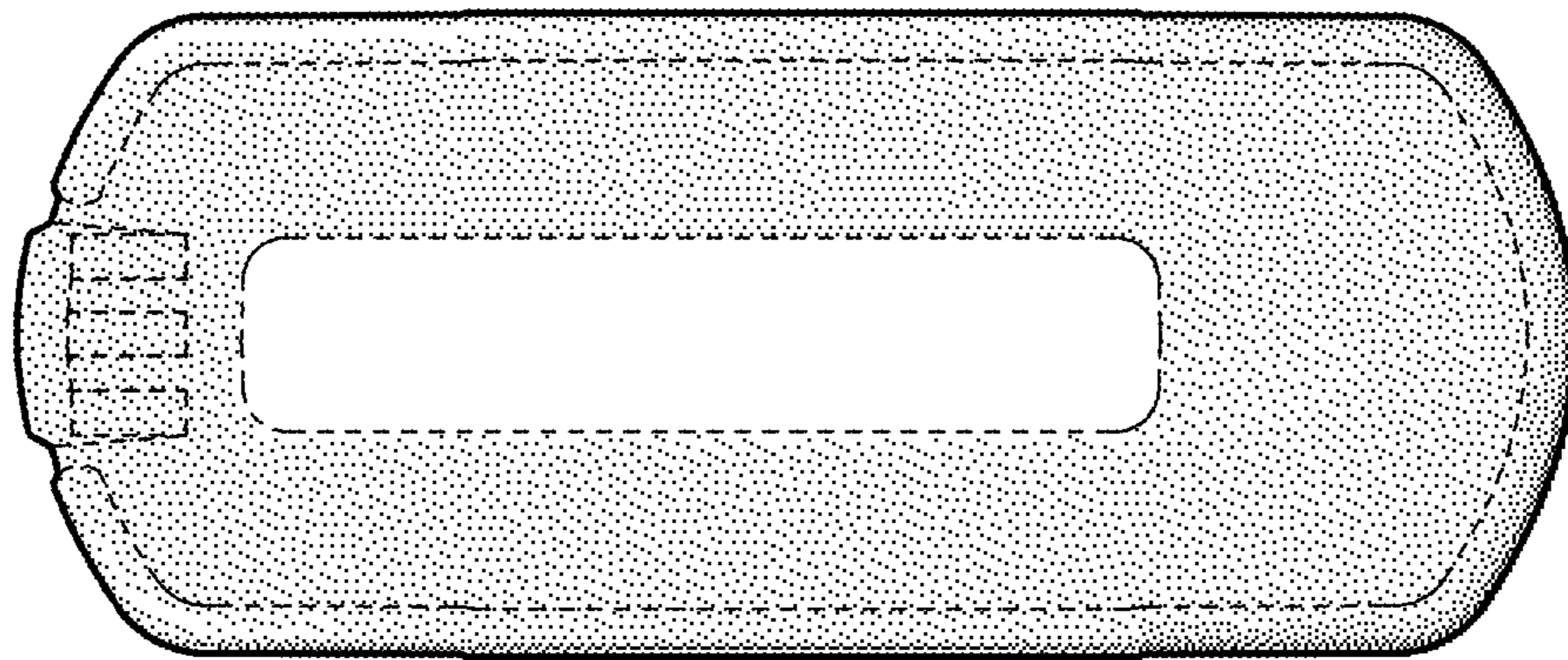


FIG. 7