



US00D829292S

(12) **United States Design Patent**  
**Ribelin et al.**

(10) **Patent No.:** **US D829,292 S**

(45) **Date of Patent:** **\*\* Sep. 25, 2018**

- (54) **SUPPRESSED PISTOL**
- (71) Applicant: **SilencerCo, LLC**, West Valley City, UT (US)
- (72) Inventors: **Rex Ribelin**, Cottonwood Heights, UT (US); **Jacob Scott Turnblom**, Murray, UT (US)
- (73) Assignee: **SilencerCo, LLC**, West Valley City, UT (US)

- D436,356 S \* 1/2001 Lee ..... D14/418
- D444,786 S \* 7/2001 Otomi ..... D14/418
- D458,652 S \* 6/2002 Chan
- D508,277 S \* 8/2005 Cerovic ..... D21/574
- D521,568 S \* 5/2006 Hussaini ..... D14/418
- 7,287,526 B1 \* 10/2007 Bligh ..... F41B 11/643  
124/63
- D630,290 S \* 1/2011 Velasquez ..... D22/104
- D651,275 S \* 12/2011 Emde ..... D22/104
- D654,118 S \* 2/2012 Sogabe ..... D14/218
- D660,925 S \* 5/2012 Jablonski ..... D21/573

(Continued)

(\*\*) Term: **15 Years**

(21) Appl. No.: **29/583,211**

(22) Filed: **Nov. 3, 2016**

(51) **LOC (11) Cl.** ..... **22-01**

(52) **U.S. Cl.**  
USPC ..... **D22/104**

(58) **Field of Classification Search**  
USPC ..... D22/100, 104, 108, 109, 199;  
D21/572-575, 145, 146, 147, 567;  
D14/418; 124/16, 25.7, 27, 45, 82, 23.1,  
124/35.2, 37, 79; 446/401, 403, 400,  
446/473, 445, 182, 405, 407; 248/200;  
D8/354, 373, 380, 499; 42/4, 41, 42.01,  
42/42.02, 42.03, 43, 44, 45, 57, 69.01,  
42/71.02, 72, 100; 89/40.06, 41.19,  
89/37.04, 33.04, 191.01, 200-204;  
362/110, 113  
CPC .... F41C 3/005; F41C 3/02; F41C 3/04; F41C  
3/06; F41C 3/14; F41C 3/16; F41C 9/02;  
F41C 9/04; F41C 9/06; F41C 9/08  
See application file for complete search history.

(56) **References Cited**

**U.S. PATENT DOCUMENTS**

- 5,522,167 A \* 6/1996 Teetzel ..... F41A 9/62  
250/208.4
- D377,077 S \* 12/1996 Predazzer ..... D22/100

**OTHER PUBLICATIONS**

Maxim 9, SilencerCo.com, [online], [site visited Oct. 23, 2017].  
<URL: https://silencerco.com/maxim/> (Year: 2017).\*

(Continued)

*Primary Examiner* — T Chase Nelson  
*Assistant Examiner* — Jonathan J. Han

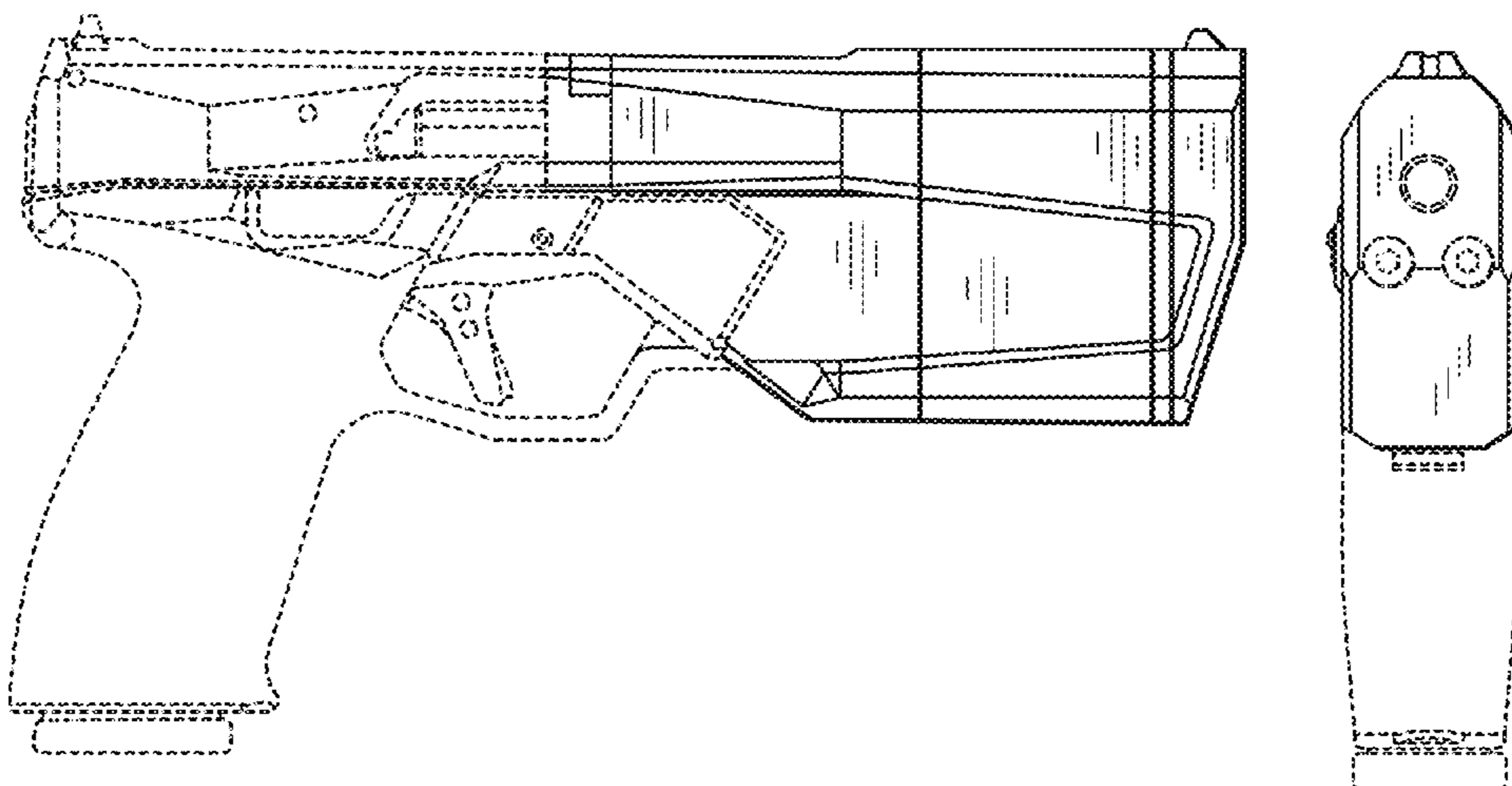
(57) **CLAIM**

We claim the ornamental design for a suppressed pistol, as shown and described.

**DESCRIPTION**

FIG. 1 is a right side view of our design of a suppressed pistol according to our invention;  
FIG. 2 is a left side view of the suppressed pistol shown in FIG. 1;  
FIG. 3 is a top view of the suppressed pistol shown in FIG. 1;  
FIG. 4 is a bottom view of the suppressed pistol shown in FIG. 1;  
FIG. 5 is a front view of the suppressed pistol shown in FIG. 1; and,  
FIG. 6 is a rear view of the suppressed pistol shown in FIG. 1.  
The broken lines depict portions of the suppressed pistol that form no part of the claimed design.

**1 Claim, 2 Drawing Sheets**



(56)

References Cited

U.S. PATENT DOCUMENTS

D664,609 S \* 7/2012 Johnson ..... D21/574  
 D672,832 S \* 12/2012 Gerwig ..... D22/103  
 D678,452 S \* 3/2013 Baldwin ..... D22/103  
 D678,454 S \* 3/2013 Emde ..... D22/104  
 8,448,365 B2 \* 5/2013 Mead ..... F41B 7/003  
 42/54  
 D687,117 S 7/2013 Yigit  
 D687,505 S \* 8/2013 Knorst ..... D22/103  
 D702,794 S \* 4/2014 Chow ..... D22/104  
 8,720,426 B2 \* 5/2014 Hadley ..... F41B 11/51  
 124/66  
 D716,899 S 11/2014 Rothmann  
 D734,826 S \* 7/2015 Chow ..... D22/104  
 D742,989 S 11/2015 Holden  
 D754,258 S \* 4/2016 Sakai ..... D14/418  
 D754,796 S \* 4/2016 Sakai ..... D14/418  
 D758,519 S 6/2016 Toner  
 D772,364 S \* 11/2016 Kedairy ..... D22/104  
 D778,389 S \* 2/2017 Holden ..... D22/108  
 2006/0010746 A1 1/2006 Little  
 2006/0187610 A1 \* 8/2006 Su ..... F41B 11/62  
 361/232  
 2009/0282718 A1 \* 11/2009 Bartley ..... F41C 23/12  
 42/75.03  
 2011/0072704 A1 \* 3/2011 Teach, Jr. .... F41A 3/58  
 42/8  
 2012/0131833 A1 5/2012 Lippard  
 2012/0279105 A1 \* 11/2012 Emde ..... F41A 11/04  
 42/1.08  
 2017/0108310 A1 \* 4/2017 Zimmerman ..... F41C 23/22  
 2017/0205173 A1 \* 7/2017 Thomas ..... F41A 21/30

OTHER PUBLICATIONS

Silencerco Maxim 9 Review, YouTube.com, West Coast Armory, Published on Feb. 1, 2017, [online], [site visited Oct. 23, 2017]. <URL: <https://www.youtube.com/watch?v=AIFGyHpHe3U>> (Year: 2017).\*

Hands on With the SilencerCo Maxim 9, TheTruthAboutGuns.com, Jeremy S., Oct. 19, 2016, [online], [site visited Oct. 23, 2017]. <URL: <http://www.thetruthaboutguns.com/2016/10/jeremy-s/hands-silencerco-maxim-9/>> (Year: 2016).\*

Reviewing the Maxim 9 from SilencerCo, YouTube.com, Ars Technica, Published on Oct. 21, 2015, [online], [site visited Oct. 23, 2017]. <URL: <https://www.youtube.com/watch?v=pnbOlisFISU>> (Year: 2015).\*

On the range with SilencerCo's all-in-one suppressed Maxim 9 pistol, Arstechnica.com, Lee Hutchinson—Oct. 19, 2015, 10:38 AM, [online], [site visited Oct. 23, 2017]. <URL: <https://arstechnica.com/gadgets/2015/10/on-the-range-with-silencercos-all-in-one-suppressed-maxim-9-pistol/>> (Year: 2015).\*

“TSR 66” (RoboCop Pistol), imdb.org, RoboCop (2014), [online], [site visited Oct. 23, 2017]. <URL: [http://www.imfdb.org/wiki/RoboCop\\_\(2014\)](http://www.imfdb.org/wiki/RoboCop_(2014))> (Year: 2014).\*

NFA Review Channel—YouTube, Silencerco Maxim 9, Sep. 17, 2015, [site visited Aug. 31, 2016], Available on the Internet YRL:<<https://www.youtube.com/watch?v=BhK7F7kt50g>>.

John Chionchio; Design U.S. Appl. No. 29/539,148, filed Sep. 11, 2015; Specification pp. 1-3; Drawings pp. 4-9.

\* cited by examiner

FIG. 1

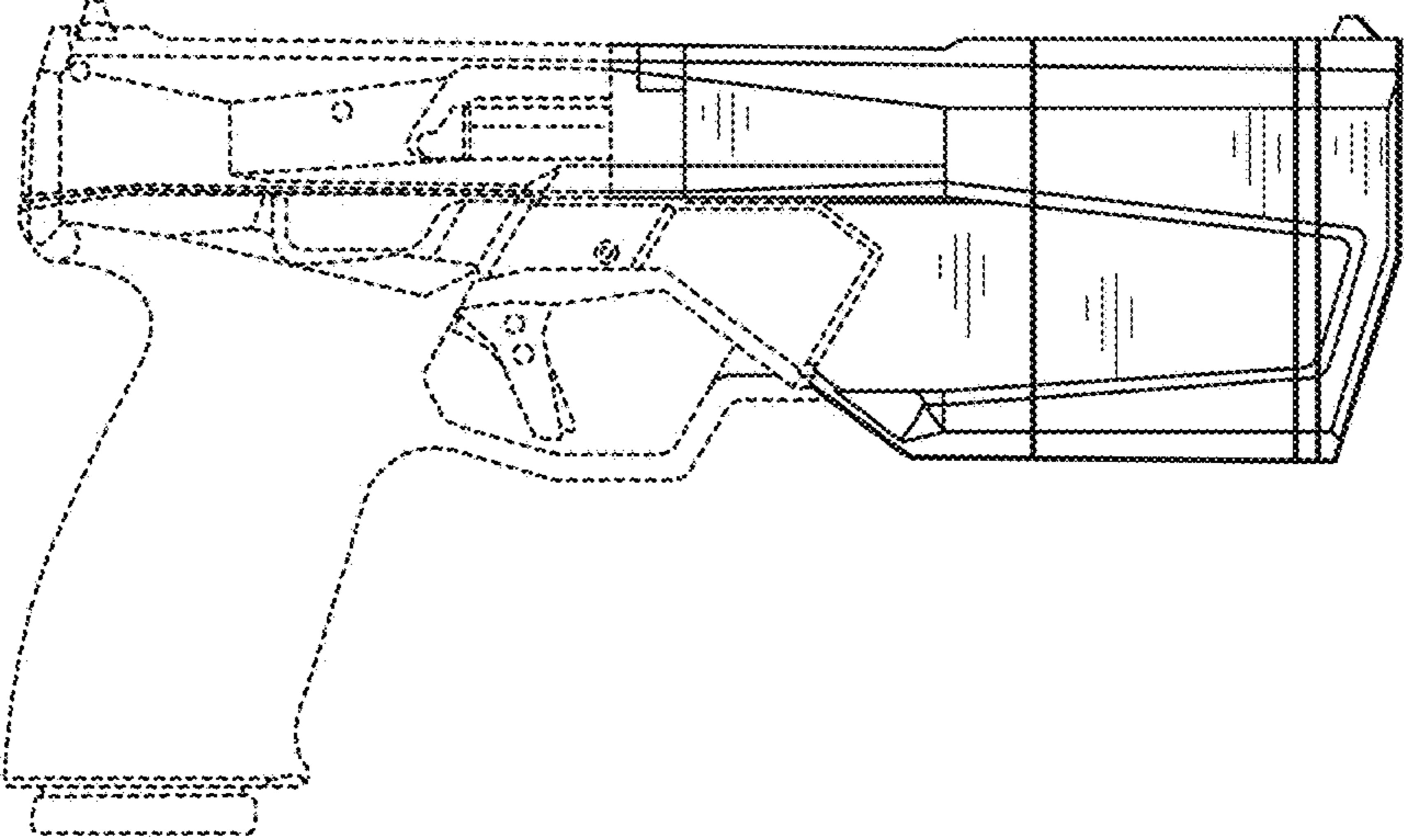
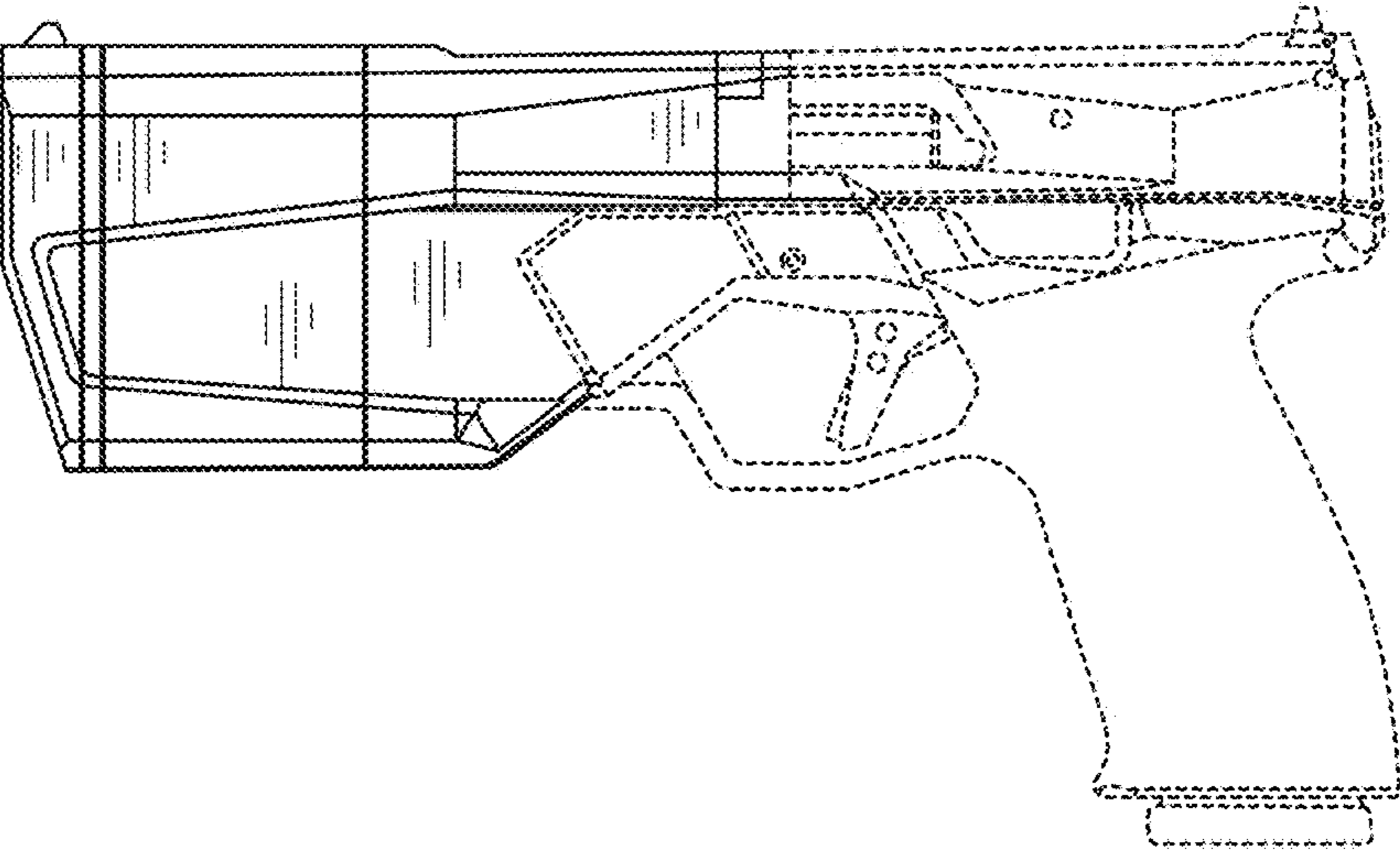
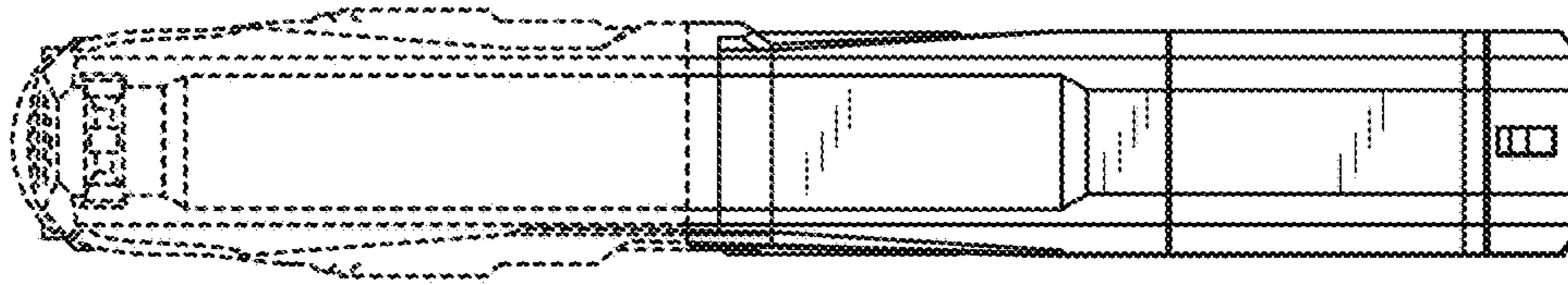


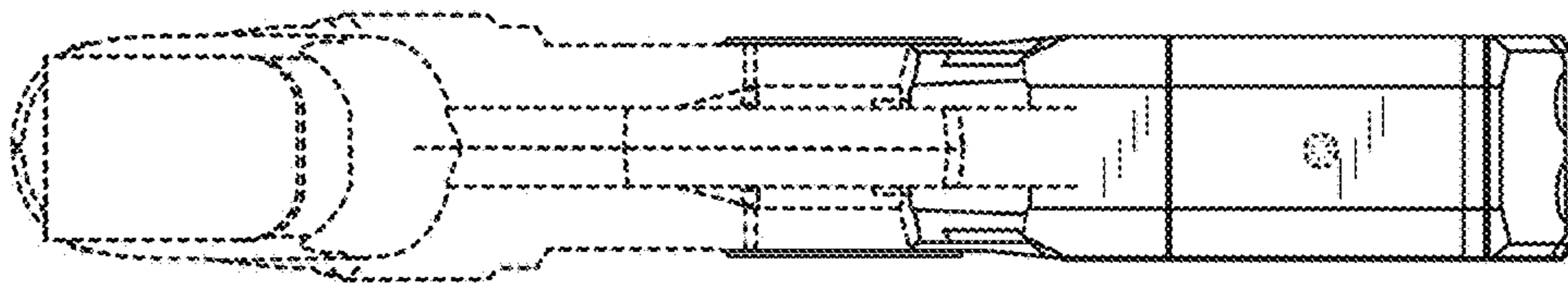
FIG. 2



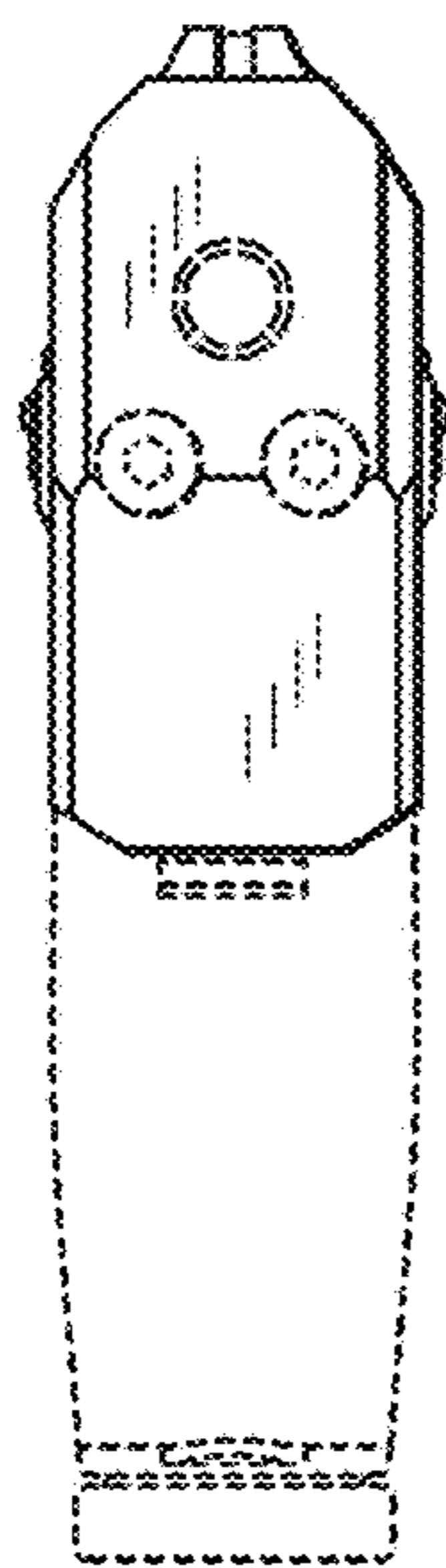
**FIG. 3**



**FIG. 4**



**FIG. 5**



**FIG. 6**

