



US00D829290S

(12) **United States Design Patent**
Rydgren

(10) **Patent No.:** **US D829,290 S**

(45) **Date of Patent:** **** Sep. 25, 2018**

- (54) **COMBINATION GOLF TOOL**
- (71) Applicant: **Jan Rydgren**, Vestby (NO)
- (72) Inventor: **Jan Rydgren**, Vestby (NO)
- (**) Term: **15 Years**
- (21) Appl. No.: **29/601,712**
- (22) Filed: **Apr. 25, 2017**

5,645,500 A *	7/1997	Borden	A63B 57/00	473/286
D468,385 S *	1/2003	Fleischmann	D21/793	
D698,884 S *	2/2014	Otsubo	D21/793	
D762,798 S *	8/2016	Roelandt	D21/789	
9,539,480 B1 *	1/2017	Boswell	A63B 57/0037	
2009/0325734 A1 *	12/2009	Nania	A63B 57/0037	473/386
2016/0166897 A1 *	6/2016	Roach, II	A63B 57/0037	473/386

(30) **Foreign Application Priority Data**

Nov. 2, 2016 (NO) 085413

(51) **LOC (11) Cl.** **21-02**

(52) **U.S. Cl.**
USPC **D21/793**

(58) **Field of Classification Search**
USPC D21/789, 793-794, 717, 718
CPC . A63B 57/00; A63B 57/0037; A63B 57/0032;
A63B 57/50; A63B 57/12; A63B 57/16;
A63B 57/20; A63B 57/30; A63B 57/35
See application file for complete search history.

(56) **References Cited**

U.S. PATENT DOCUMENTS

4,896,883 A *	1/1990	Wagenknecht	A63B 57/0037	473/386
4,982,510 A *	1/1991	Musillo	A63B 57/0037	33/833
D314,922 S *	2/1991	Musillo	D10/64	

* cited by examiner

Primary Examiner — Mitchell I. Siegel

(74) *Attorney, Agent, or Firm* — Kolisch Hartwell, P.C.

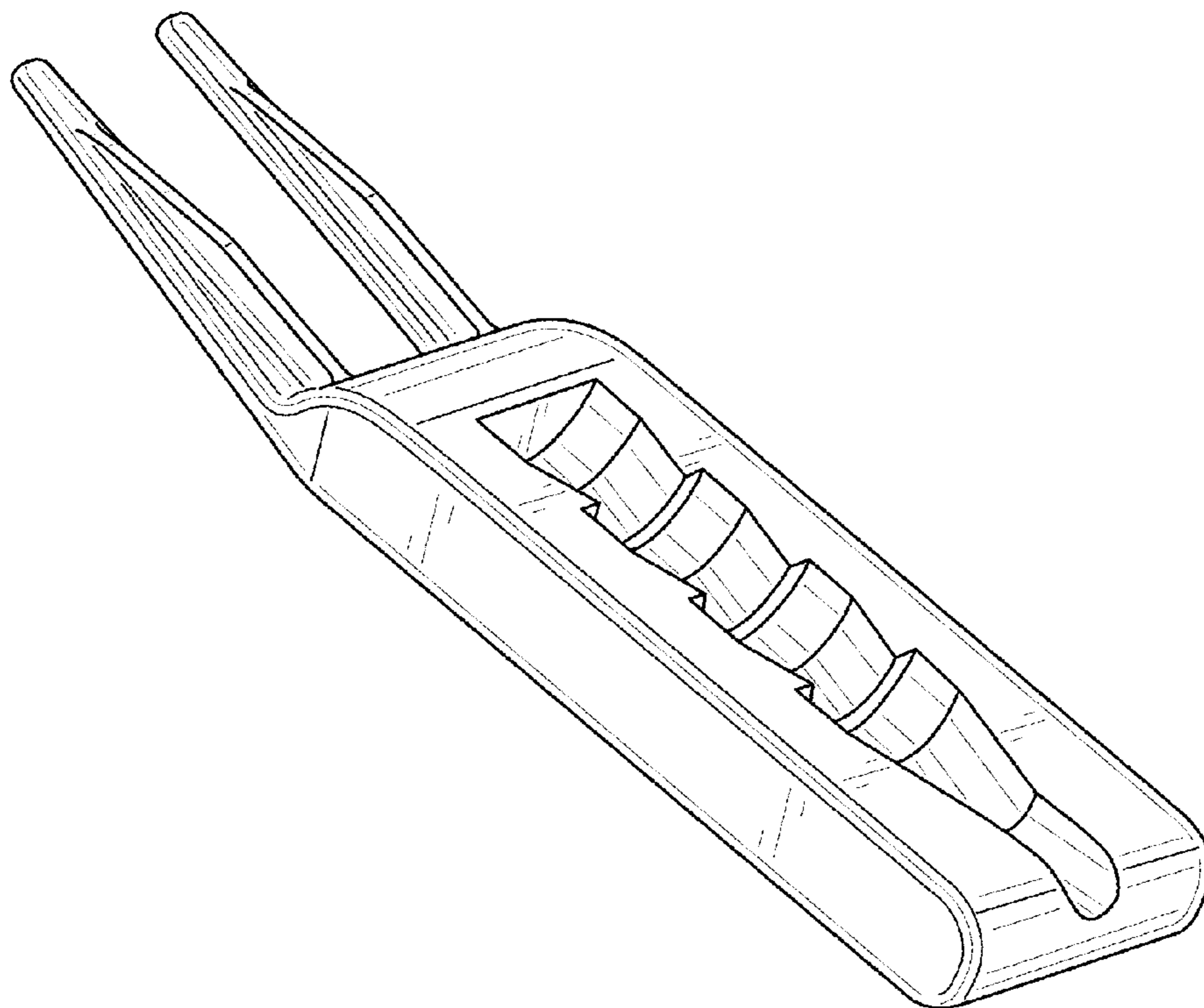
(57) **CLAIM**

The ornamental design for a combination golf tool, as shown and described.

DESCRIPTION

FIG. 1 is a front elevational view of a combination golf tool showing my new design;
 FIG. 2 is a left side elevational view thereof, the undisclosed right side is a mirror image;
 FIG. 3 is a rear elevational view thereof;
 FIG. 4 is a rear and right side perspective view thereof;
 FIG. 5 is a front and left side perspective view thereof;
 FIG. 6 is a front, bottom, and right side perspective view thereof;
 FIG. 7 is an alternative front, bottom, and right side perspective view thereof; and,
 FIG. 8 is a top, front, and right side perspective view thereof.

1 Claim, 4 Drawing Sheets



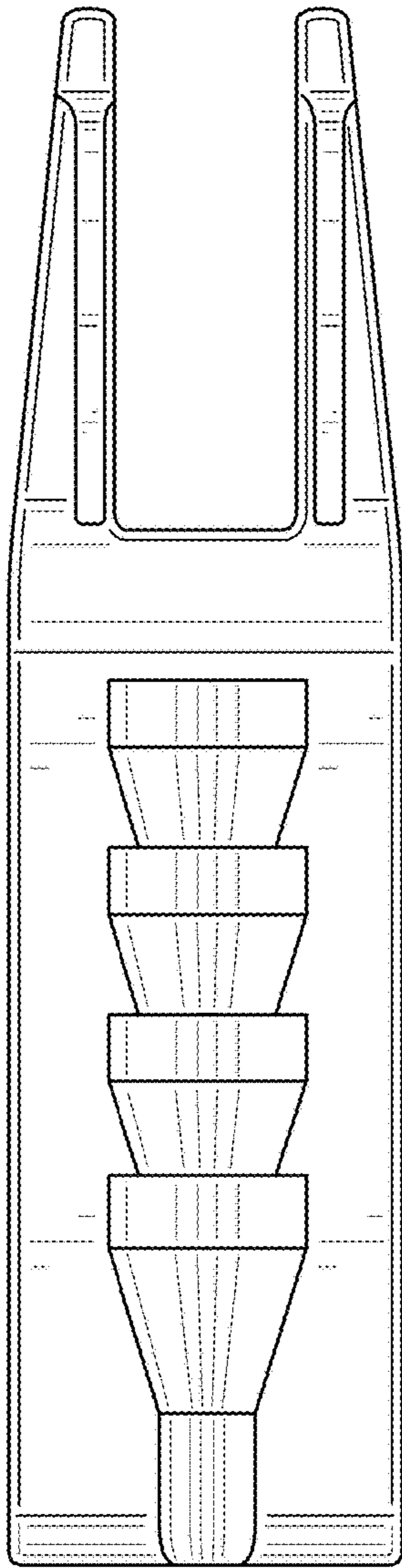


FIG. 1

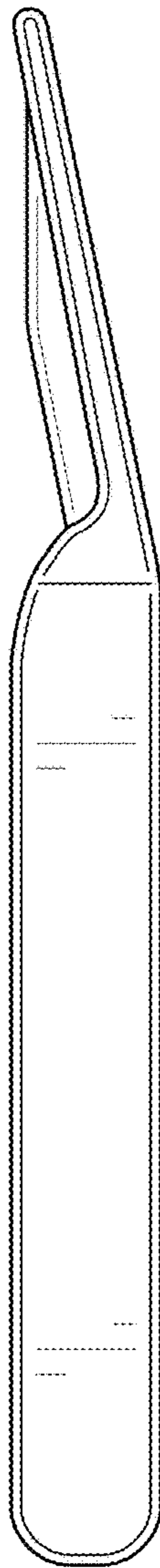


FIG. 2

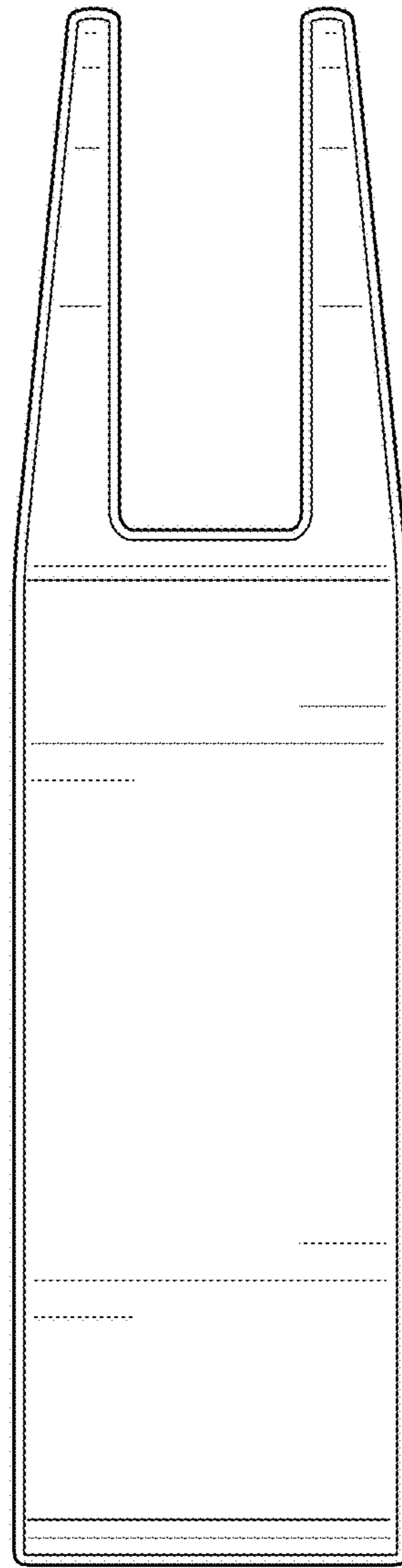


FIG. 3

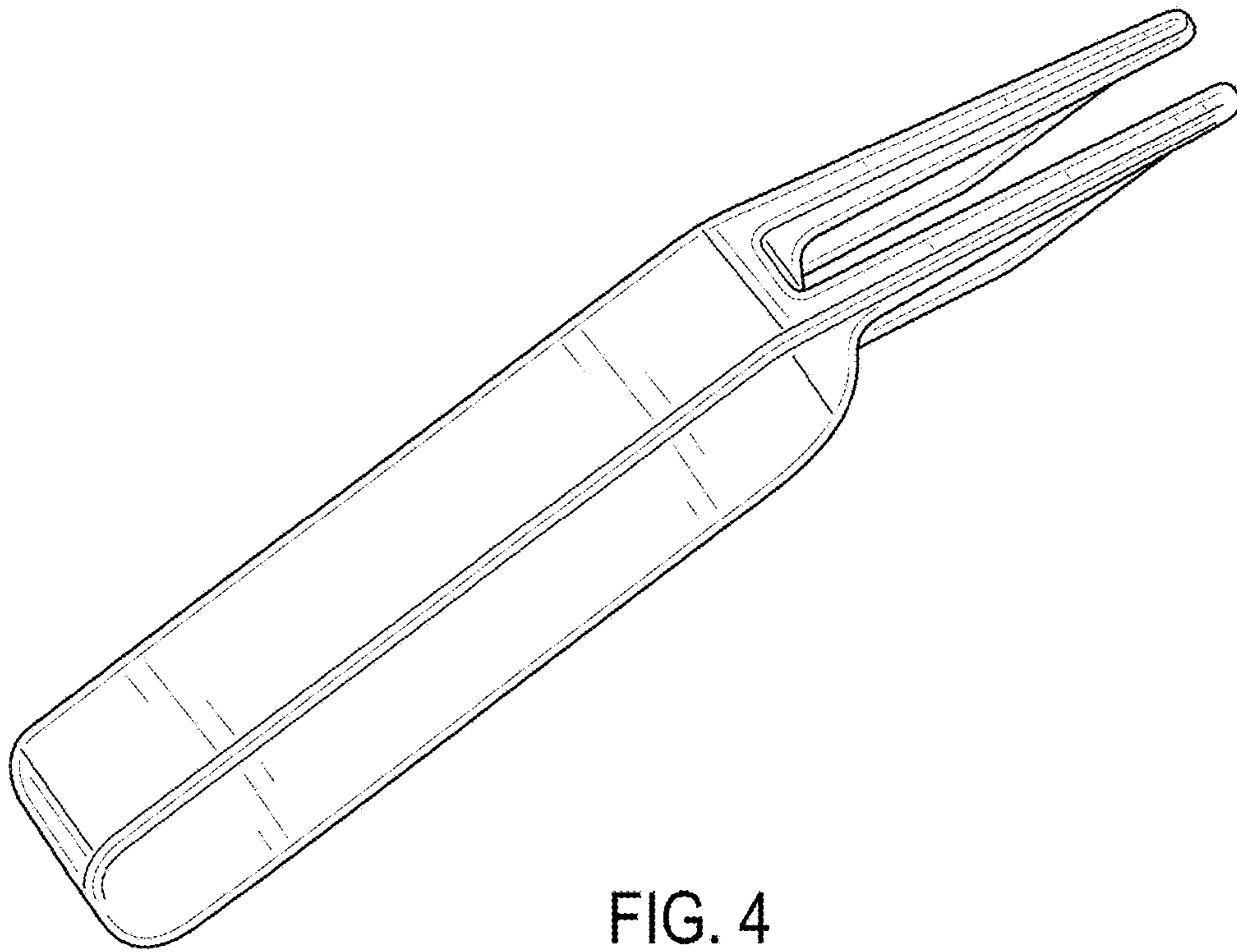


FIG. 4

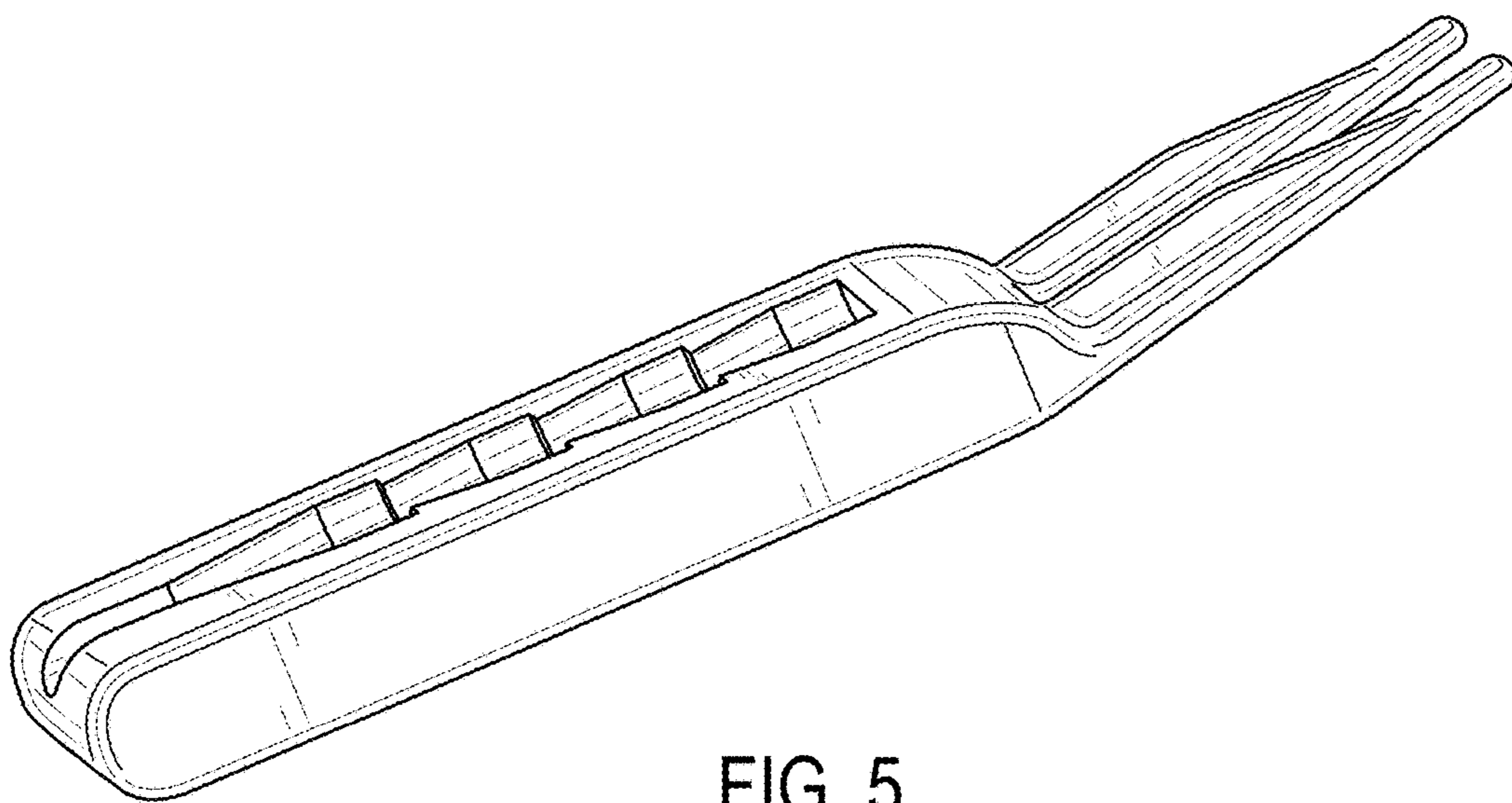


FIG. 5

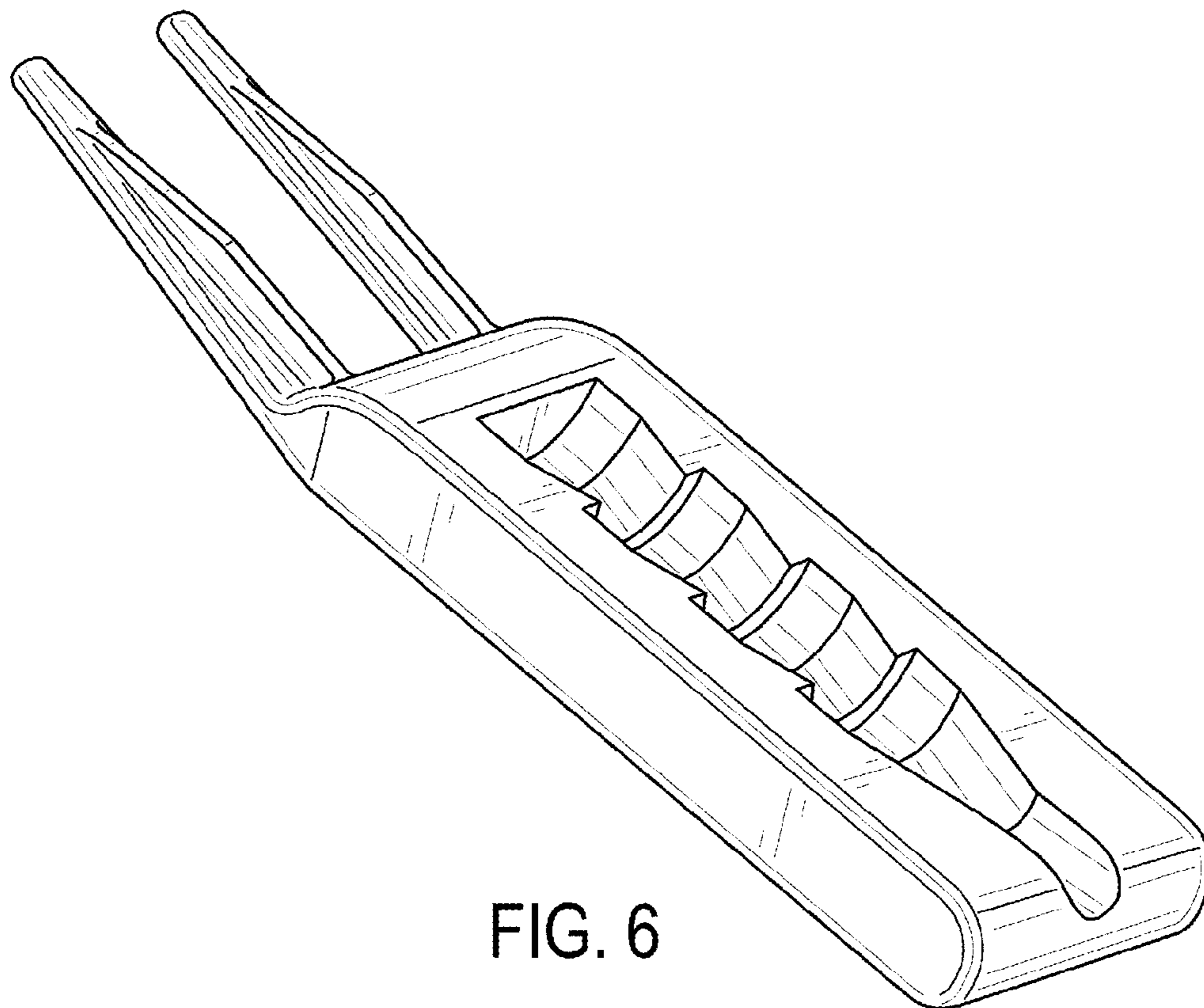


FIG. 6

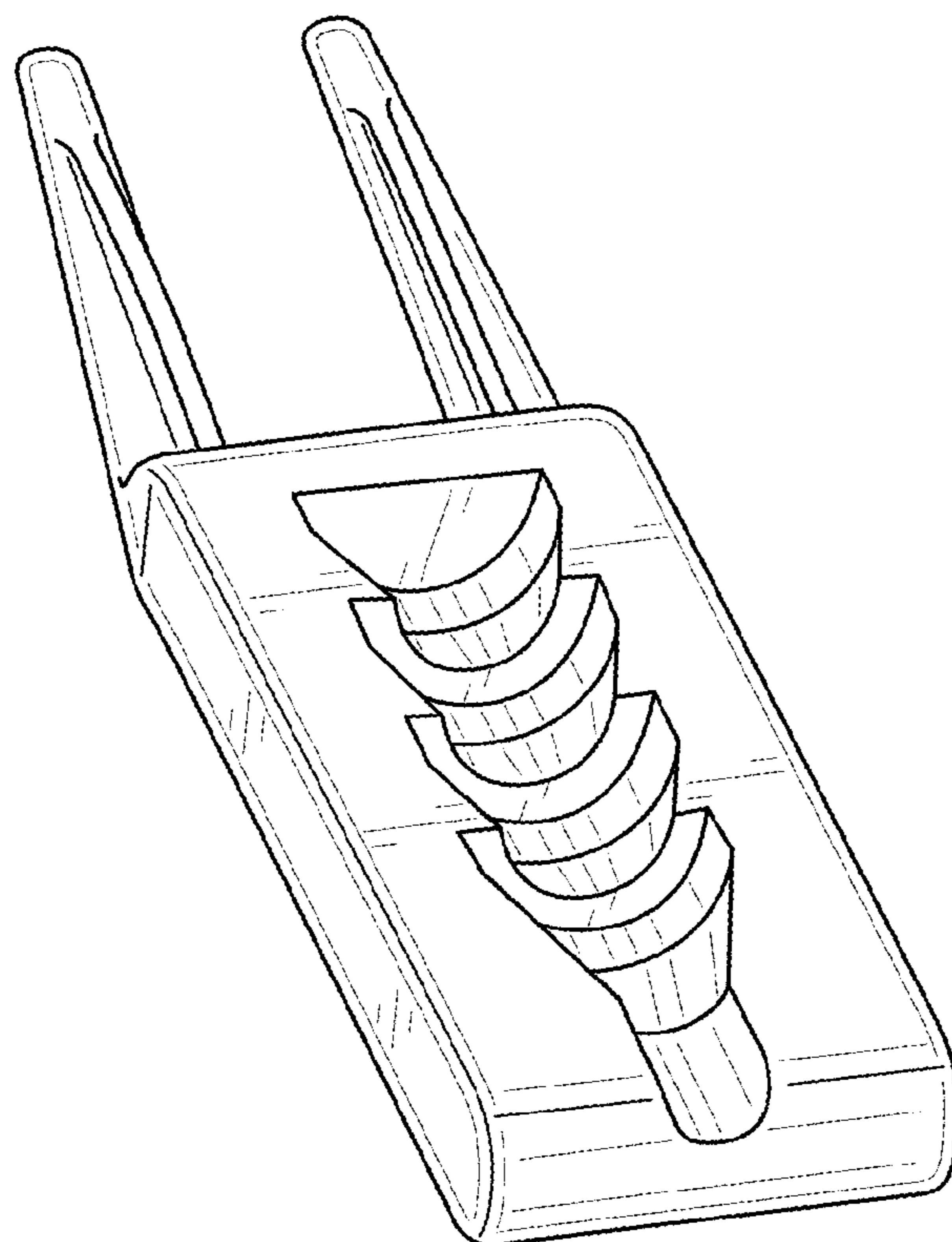


FIG. 7

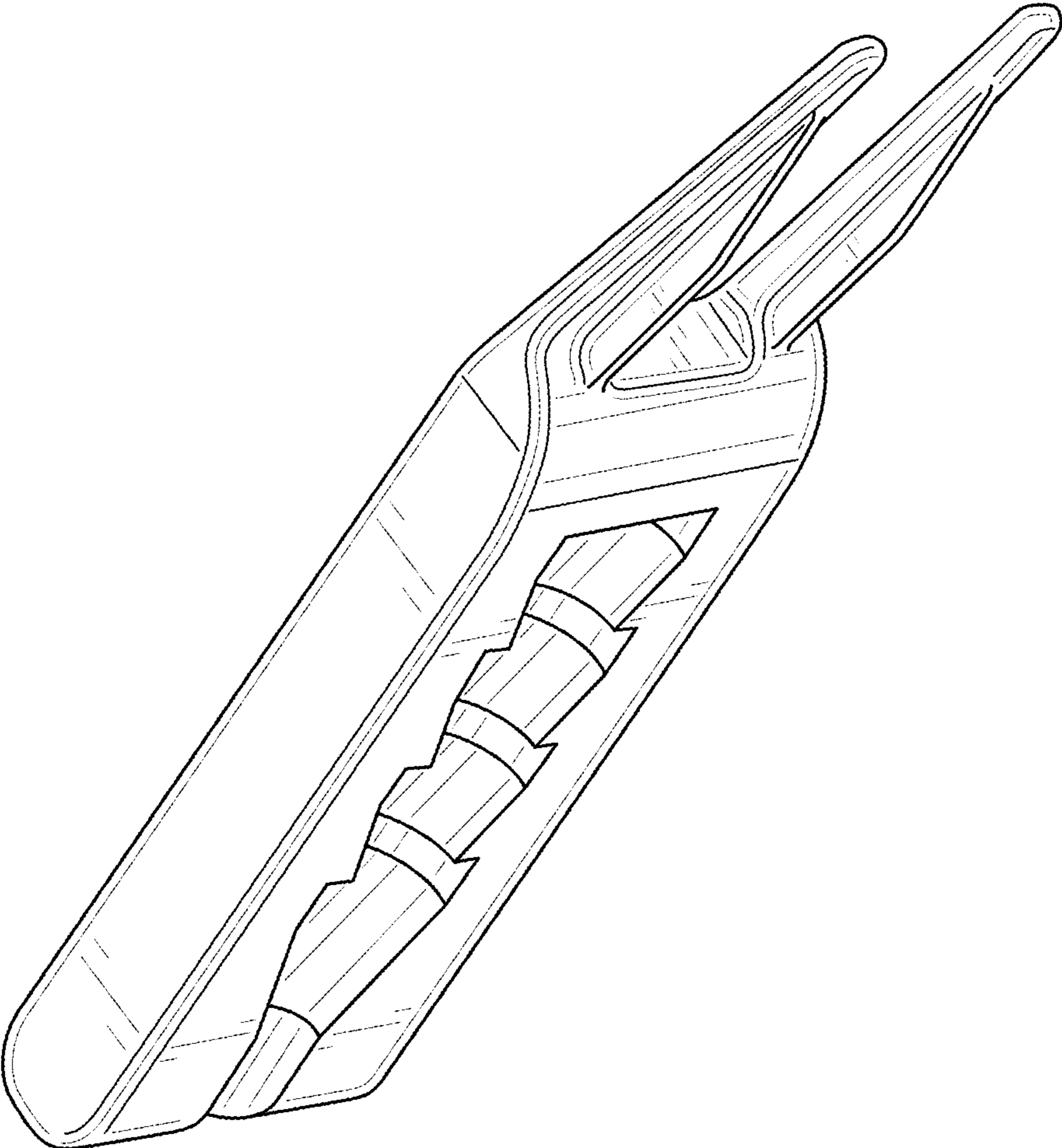


FIG. 8