



US00D829289S

(12) **United States Design Patent**
Shi

(10) **Patent No.:** **US D829,289 S**

(45) **Date of Patent:** **** Sep. 25, 2018**

(54) **ELECTRIC SKATEBOARD**

(71) Applicant: **Wuxi Dingyi Creative Technology Co., Ltd.**, Wuxi, Jiangsu (CN)

(72) Inventor: **Jinlei Shi**, Jiangsu (CN)

(73) Assignee: **Wuxi Dingyi Creative Technology Co., Ltd.**, Wuxi, Jiangsu (CN)

(**) Term: **15 Years**

(21) Appl. No.: **29/594,718**

(22) Filed: **Feb. 22, 2017**

(30) **Foreign Application Priority Data**

Sep. 8, 2016 (CN) 2016 3 0464967

(51) **LOC (11) Cl.** **21-02**

(52) **U.S. Cl.**
USPC **D21/765**

(58) **Field of Classification Search**
USPC D21/419, 421, 423, 426, 662, 760, 765,
D21/766, 769, 771, 776, 803; D12/1;
D34/23, 28

CPC A63C 17/01; A63C 17/011; A63C 17/012;
A63C 17/014; A63C 17/015; A63C
17/02; A63C 17/26; A63C 5/003; B60Q
1/326; B62K 3/001

See application file for complete search history.

(56) **References Cited**

U.S. PATENT DOCUMENTS

6,428,022 B1 * 8/2002 Namiki A63C 17/01
280/268
D556,283 S * 11/2007 Hamborg D21/765

D692,079 S * 10/2013 Mackay D21/765
D699,803 S * 2/2014 Yamabe D21/765
D761,927 S * 7/2016 Belcher D21/765
D784,470 S * 4/2017 Kesselman D21/765

* cited by examiner

Primary Examiner — Cynthia M Chin

(74) *Attorney, Agent, or Firm* — Jenkins, Wilson, Taylor & Hunt, P.A.

(57) **CLAIM**

The ornamental design for an electric skateboard, as shown and described.

DESCRIPTION

FIG. 1 is a front perspective view of an electric skateboard showing my design;

FIG. 2 is a top view thereof;

FIG. 3 is a bottom view thereof, opposite the view of FIG. 2;

FIG. 4 is a front elevation view thereof;

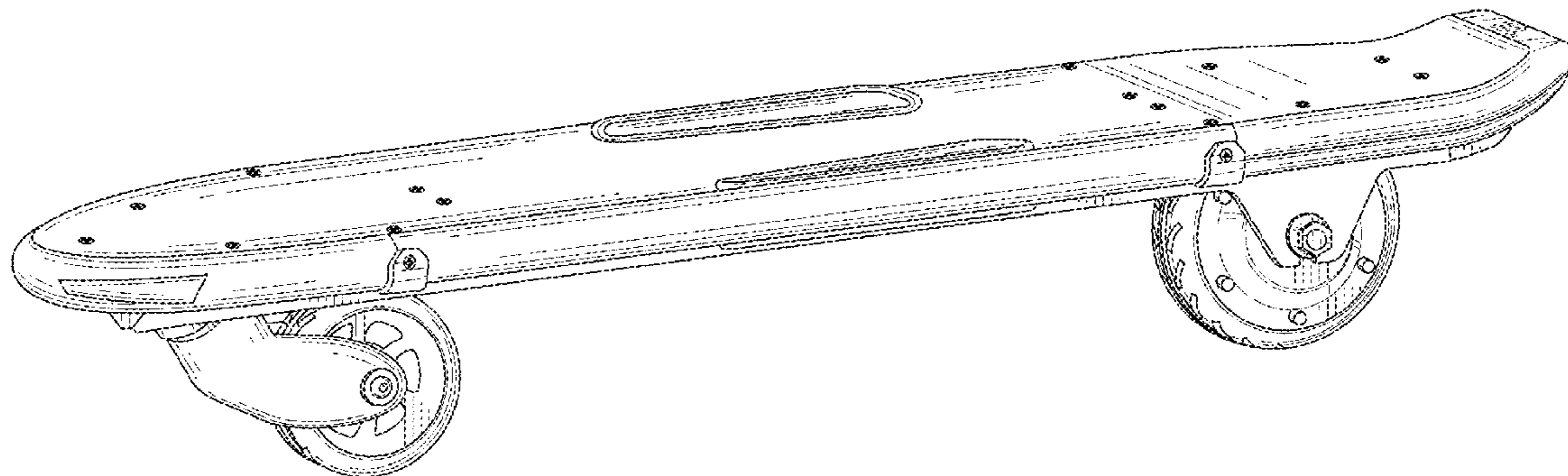
FIG. 5 is a rear elevation view thereof, opposite the view of FIG. 4;

FIG. 6 is a left side view thereof; and,

FIG. 7 is a right side view thereof, opposite the view of FIG. 6.

The broken lines shown are included for the purpose of illustrating portions of the article which form no part of the claimed design.

1 Claim, 6 Drawing Sheets



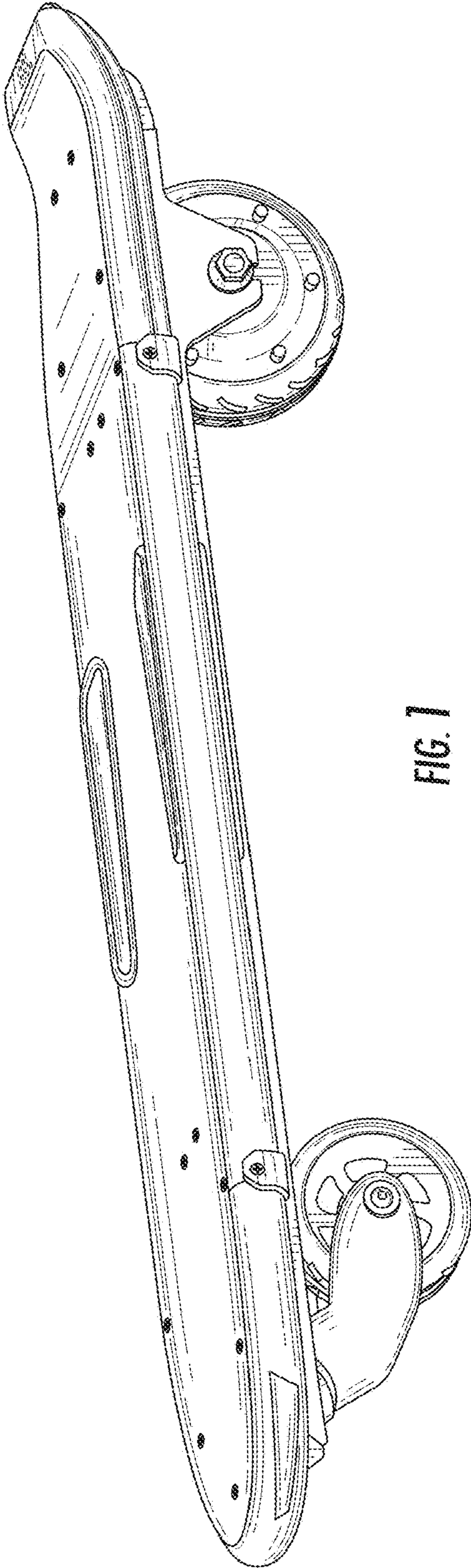


FIG. 1

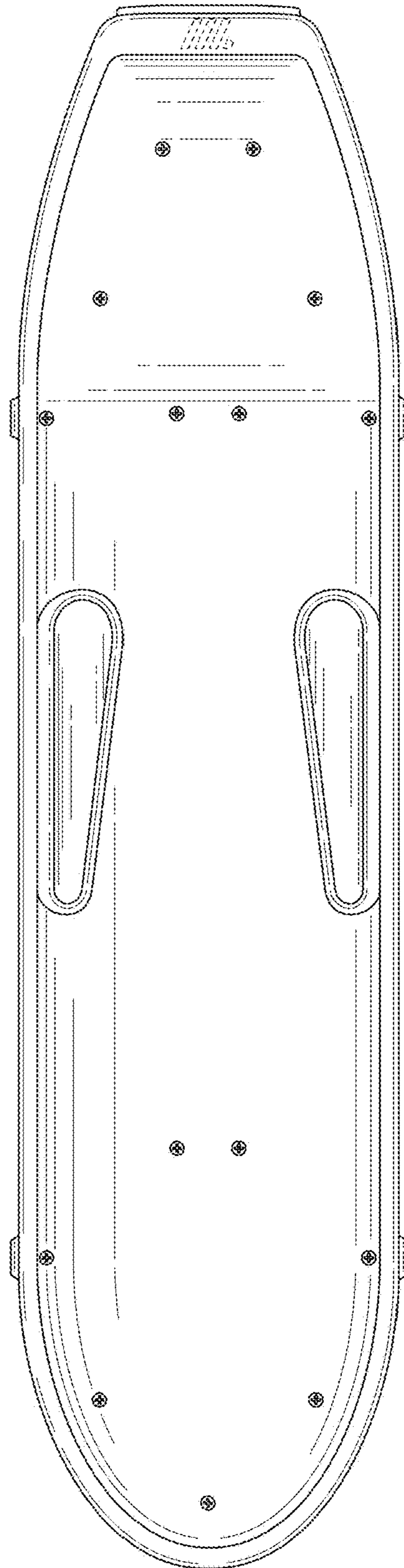


FIG. 2

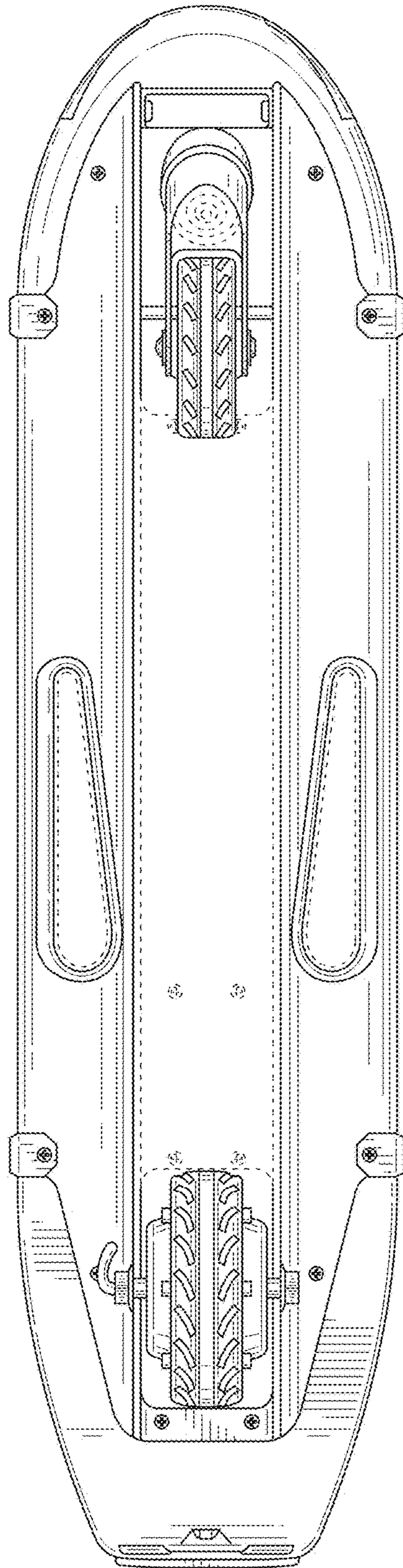


FIG. 3

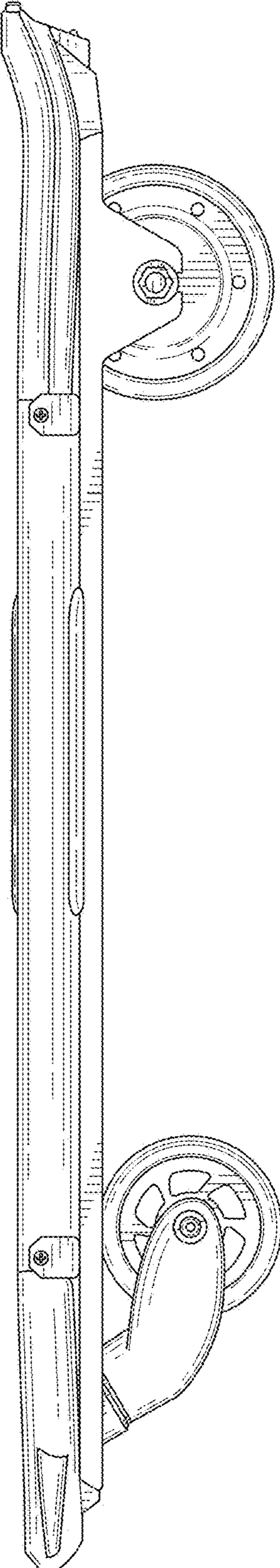


FIG. 4

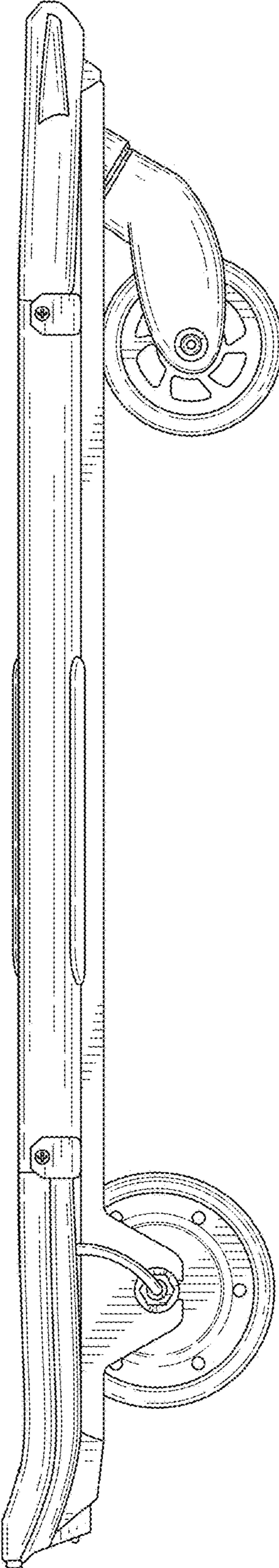


FIG. 5

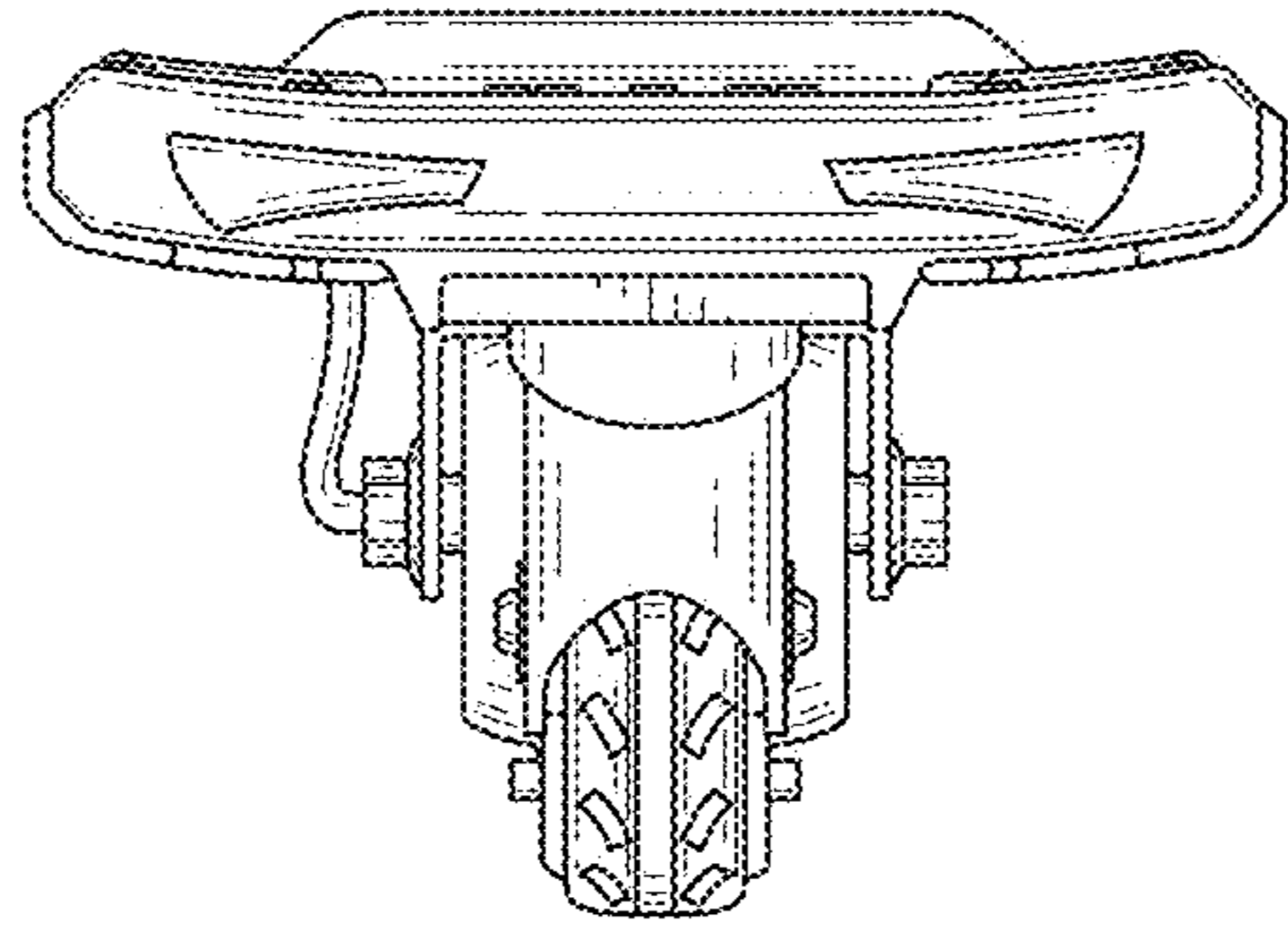


FIG. 6

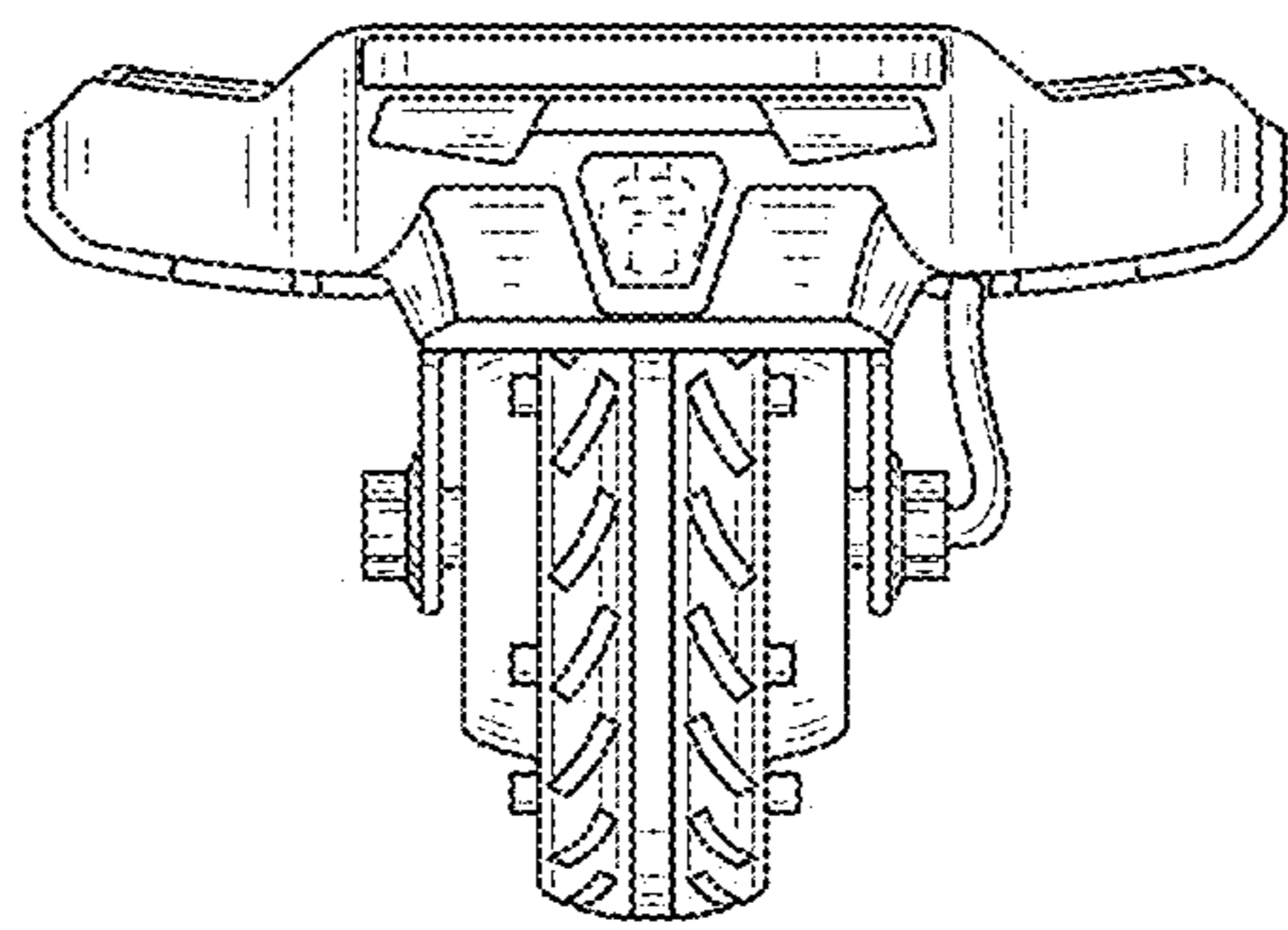


FIG. 7