



US00D829288S

(12) **United States Design Patent**
Kim

(10) **Patent No.:** **US D829,288 S**

(45) **Date of Patent:** **** Sep. 25, 2018**

(54) **GOLF PUTTER HEAD**

(71) Applicant: **Joon Hee Kim**, Gumi-si (KR)

(72) Inventor: **Joon Hee Kim**, Gumi-si (KR)

(**) Term: **15 Years**

(21) Appl. No.: **29/604,505**

(22) Filed: **May 18, 2017**

(51) **LOC (11) Cl.** **21-02**

(52) **U.S. Cl.**
USPC **D21/736**

(58) **Field of Classification Search**
USPC D21/736-746
CPC A63B 53/00; A63B 53/04; A63B 53/007;
A63B 53/065; A63B 53/0487; A63B
60/00; A63B 60/46

See application file for complete search history.

(56) **References Cited**

U.S. PATENT DOCUMENTS

D329,890 S * 9/1992 Pinder D21/742
5,467,538 A * 11/1995 Chou A63B 53/0487
473/237
5,718,644 A * 2/1998 Donofrio A63B 53/0487
473/330

D599,423 S * 9/2009 Serrano D21/736
D633,964 S * 3/2011 Teramoto D21/743
D638,892 S * 5/2011 Hettinger D21/743
D733,817 S * 7/2015 Jorgensen D21/736
D752,697 S * 3/2016 Claveran D21/736
D796,597 S * 9/2017 Serrano D21/736

* cited by examiner

Primary Examiner — Mitchell Siegel

(74) *Attorney, Agent, or Firm* — Im IP Law; C. Andrew Im

(57) **CLAIM**

The ornamental design for a golf putter head, as shown and described.

DESCRIPTION

FIG. 1 is a perspective view of a golf putter head showing my new design;

FIG. 2 is front view of the golf putter head thereof;

FIG. 3 is a rear view of the golf putter head thereof;

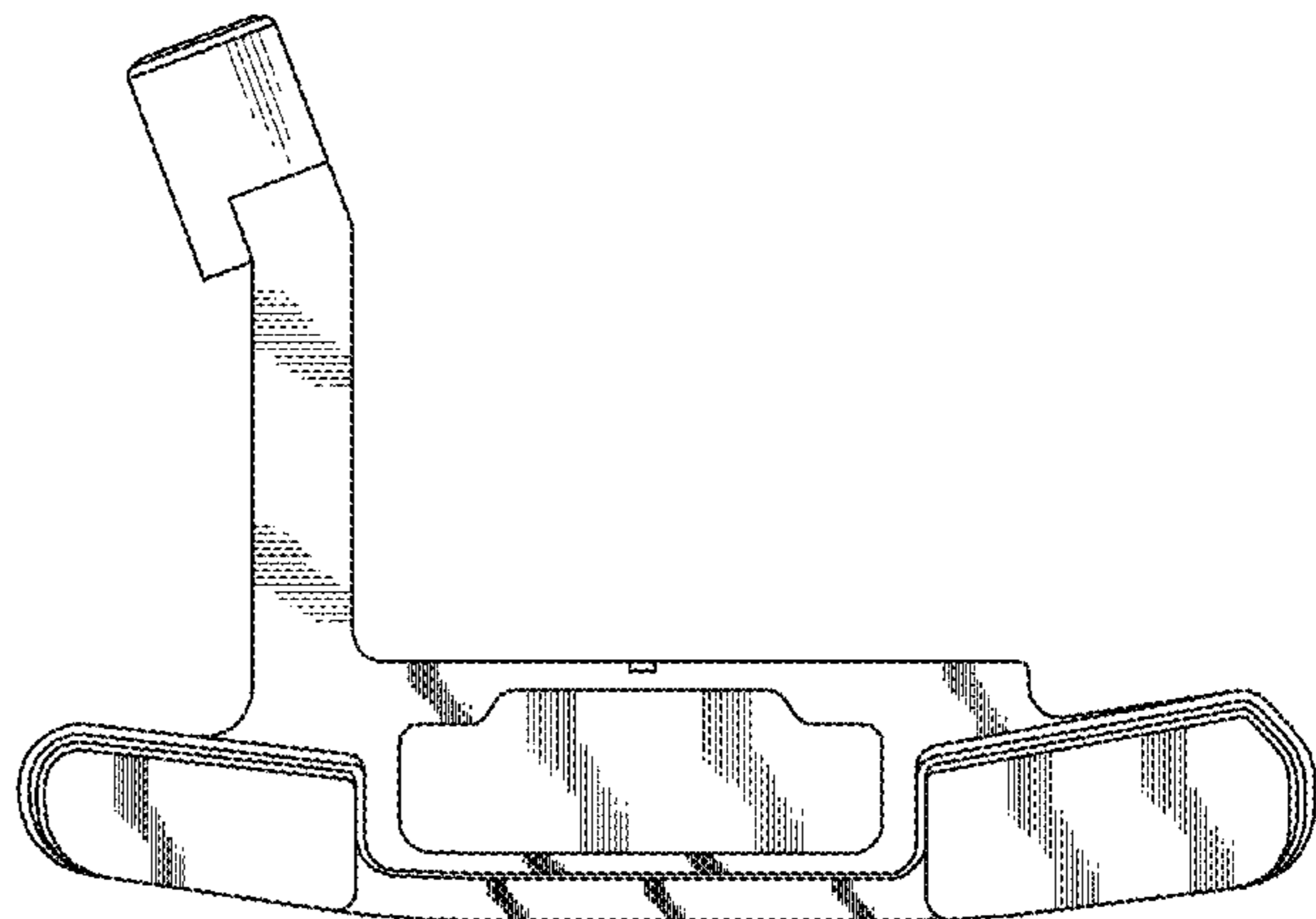
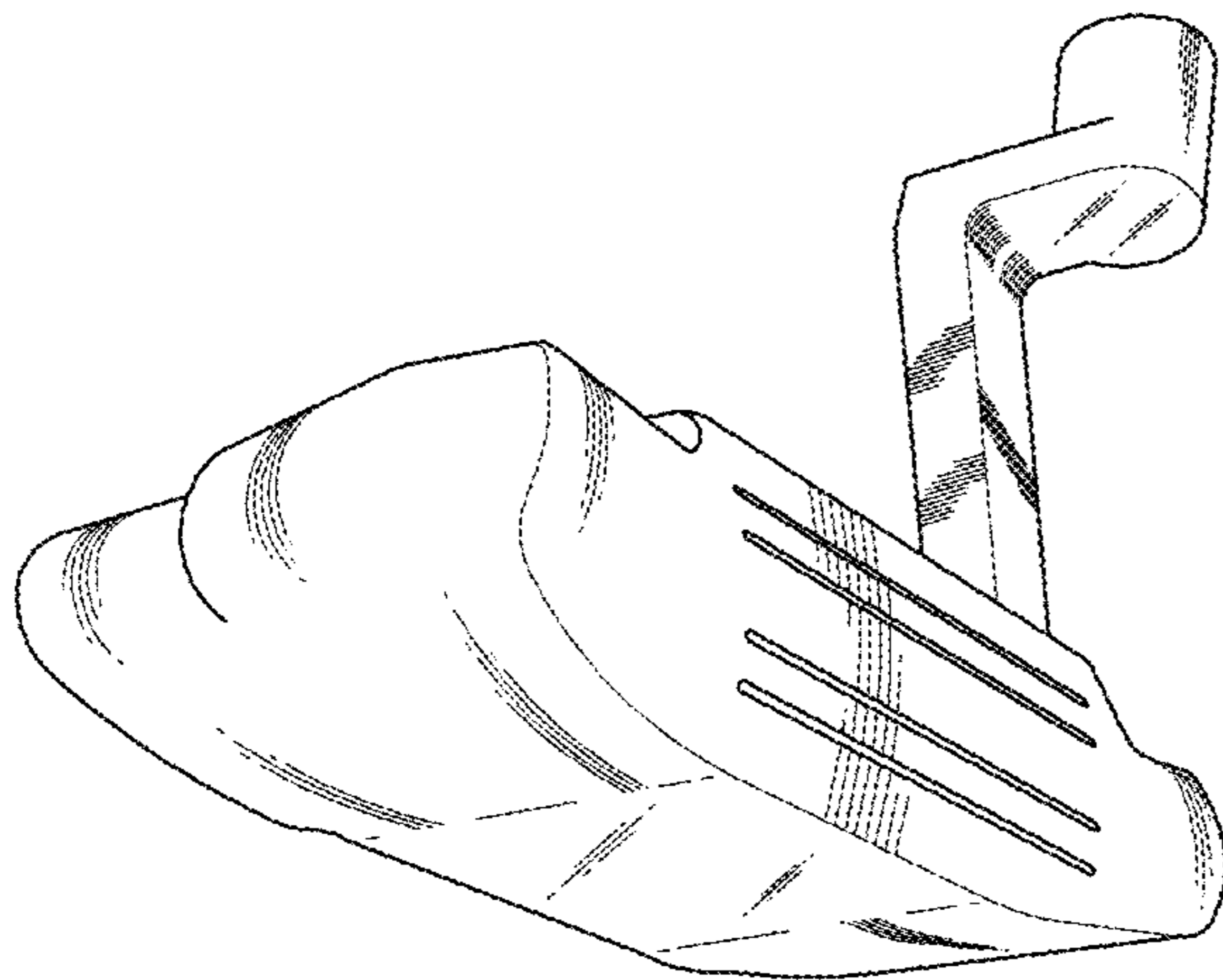
FIG. 4 is a left side view of the golf putter head thereof;

FIG. 5 is a right side view of the golf putter head thereof;

FIG. 6 is a top view of the golf putter head thereof; and,

FIG. 7 is a bottom view of the golf putter head thereof.

1 Claim, 7 Drawing Sheets



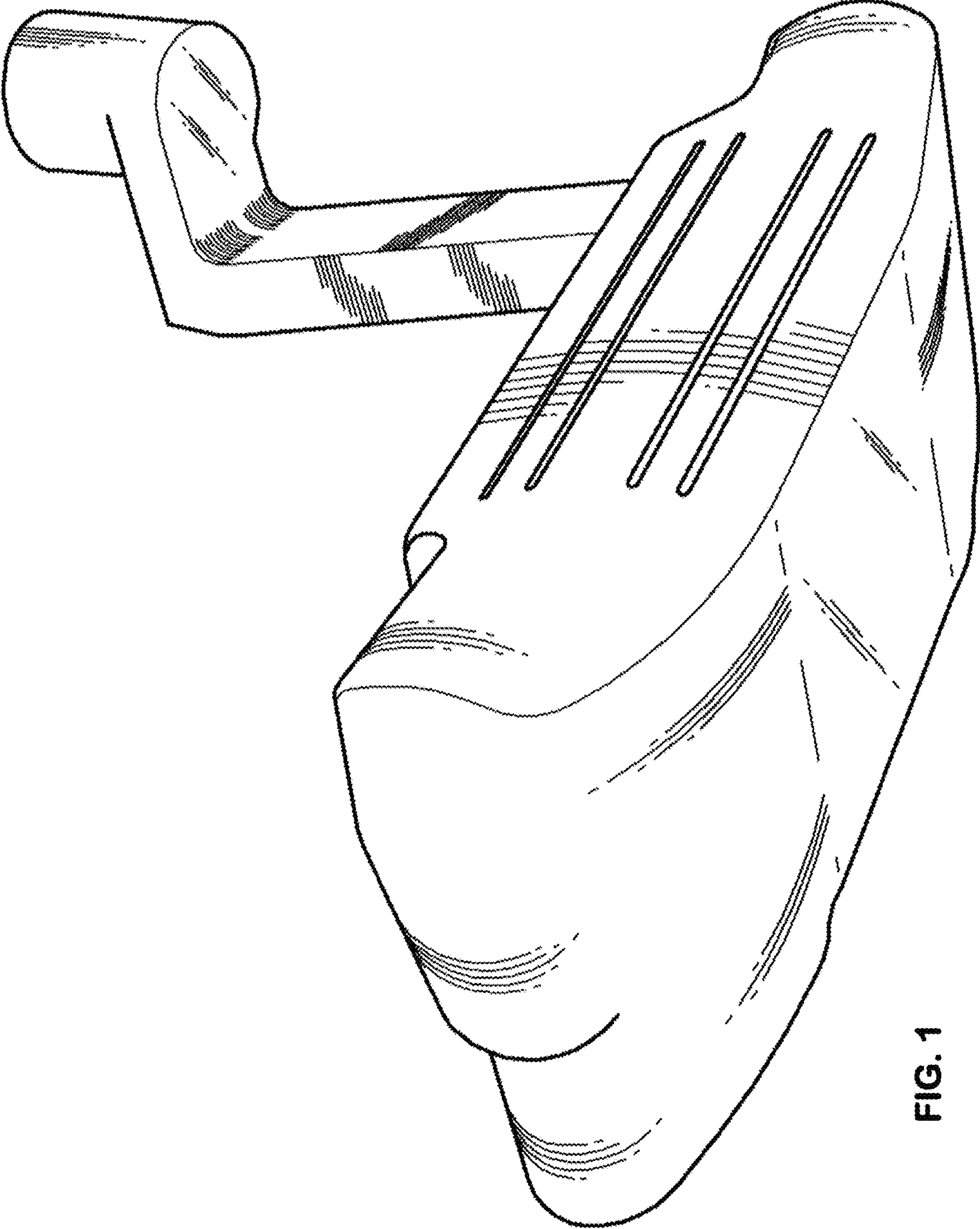


FIG. 1

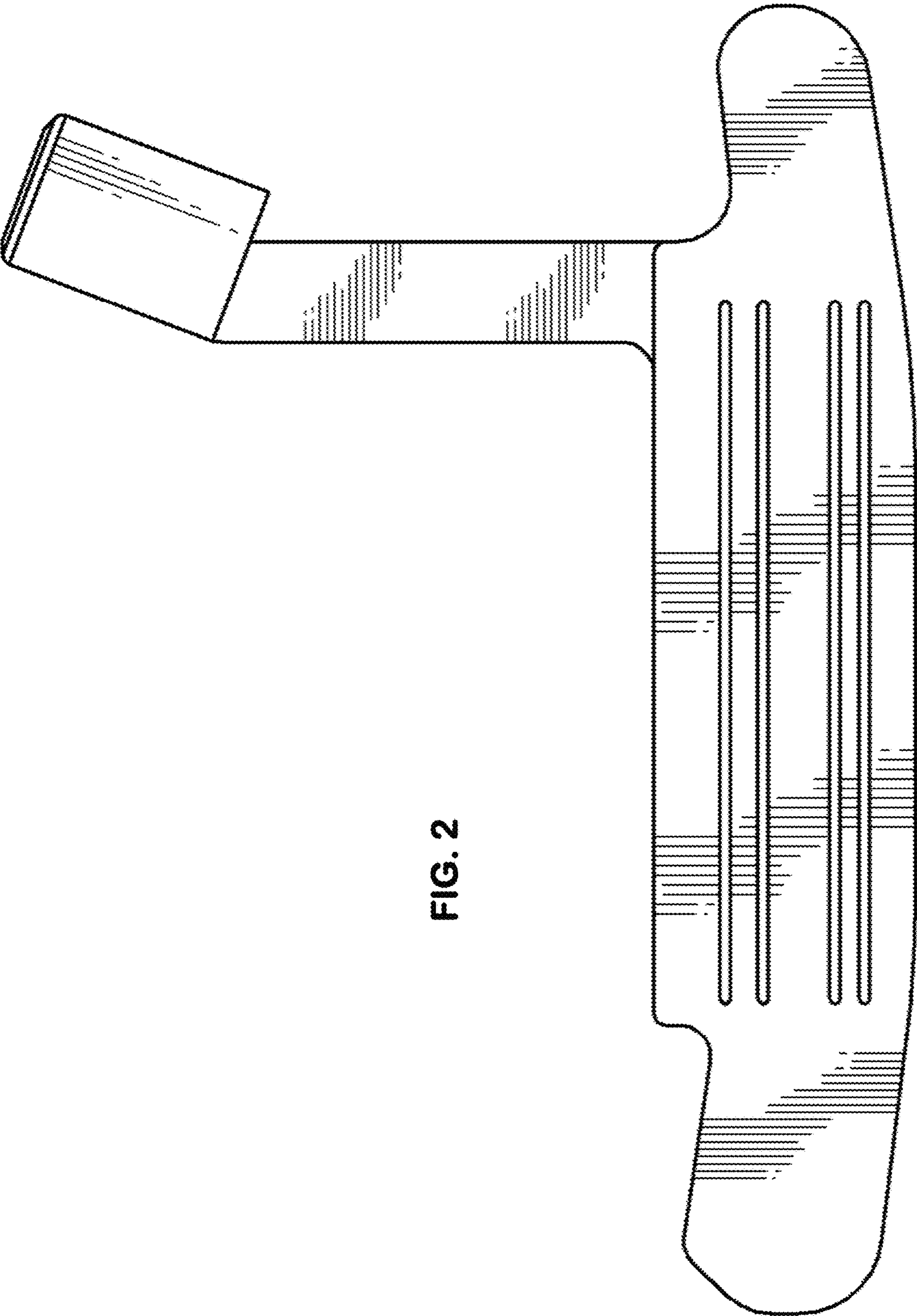
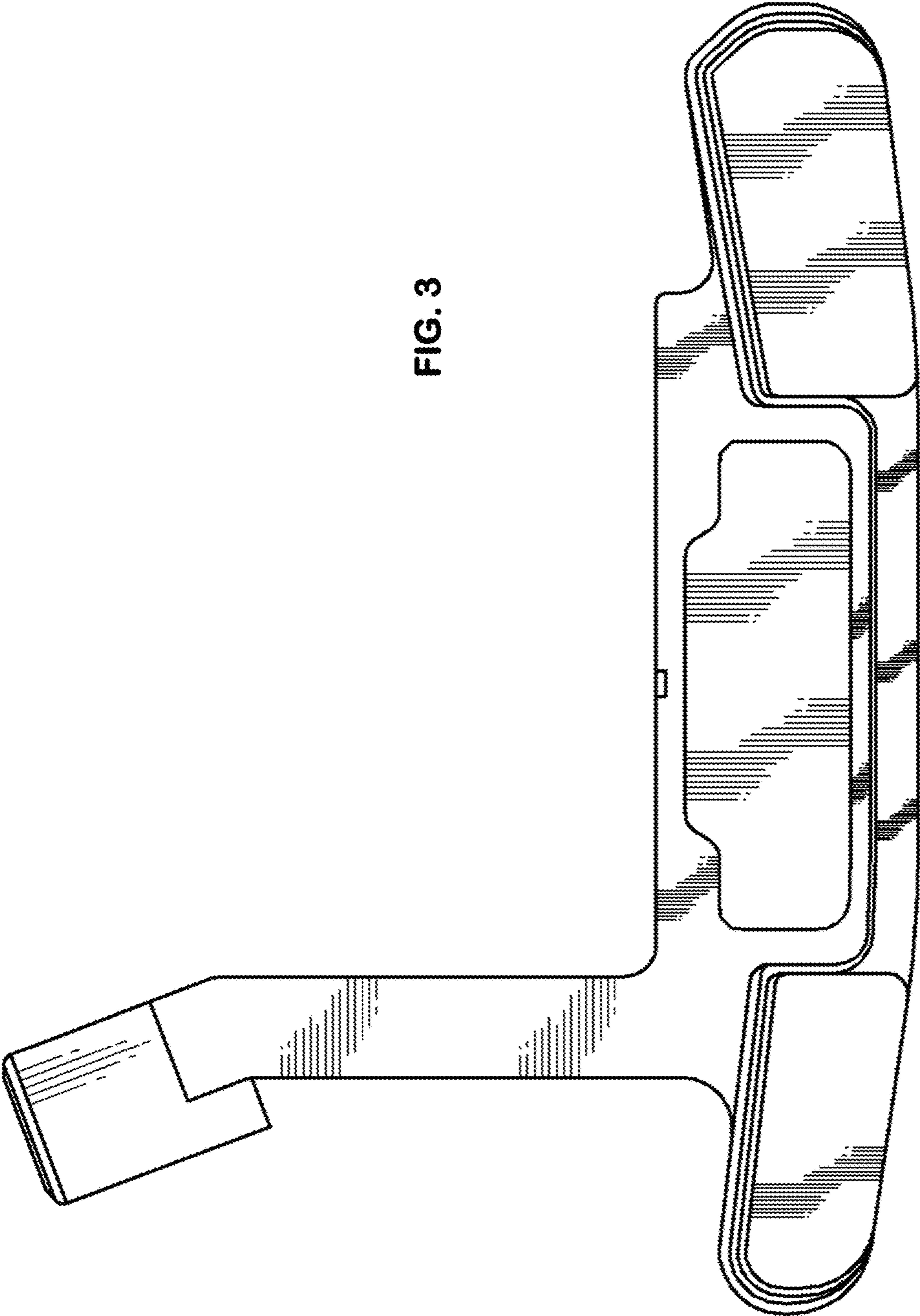


FIG. 2

FIG. 3



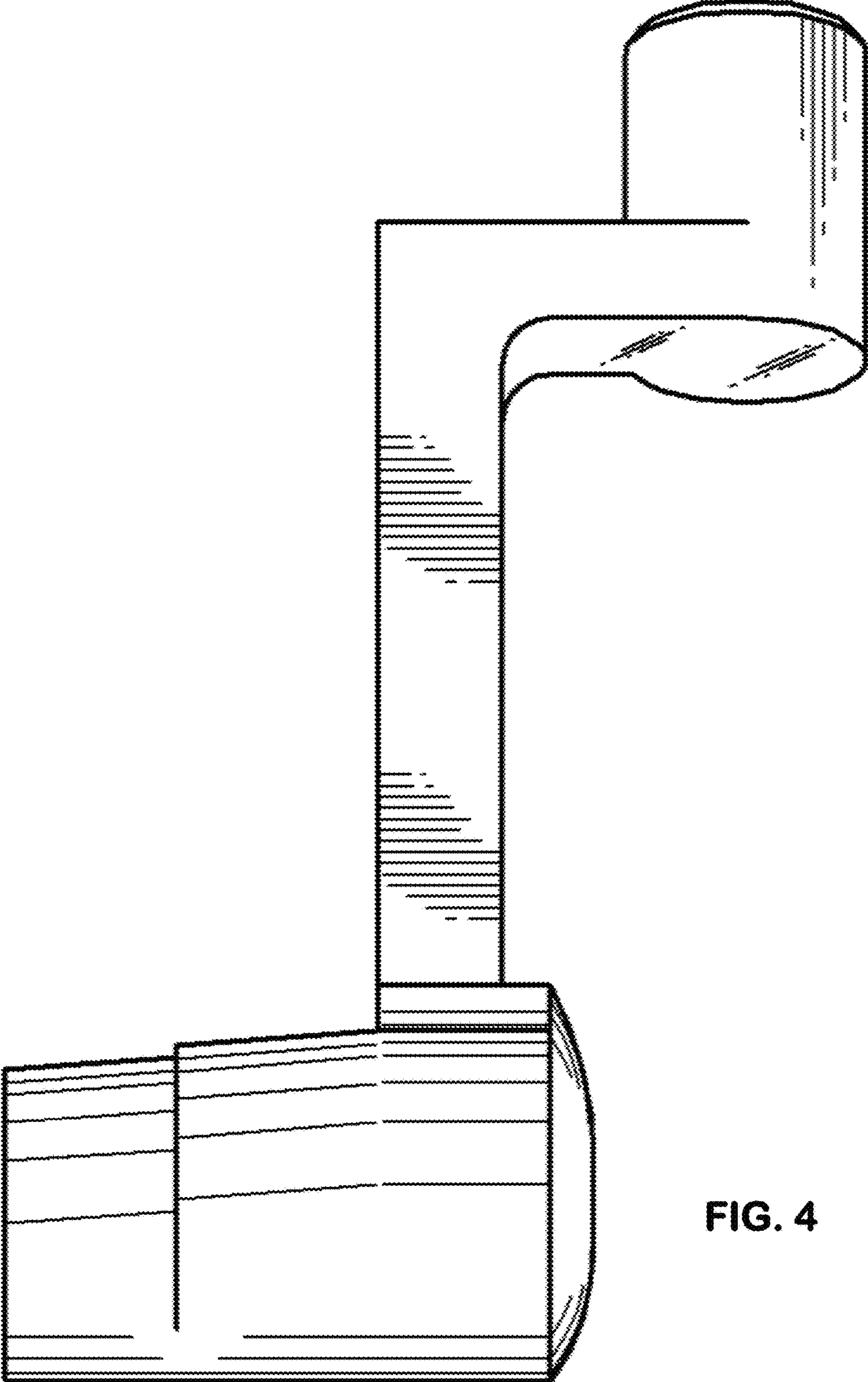


FIG. 4

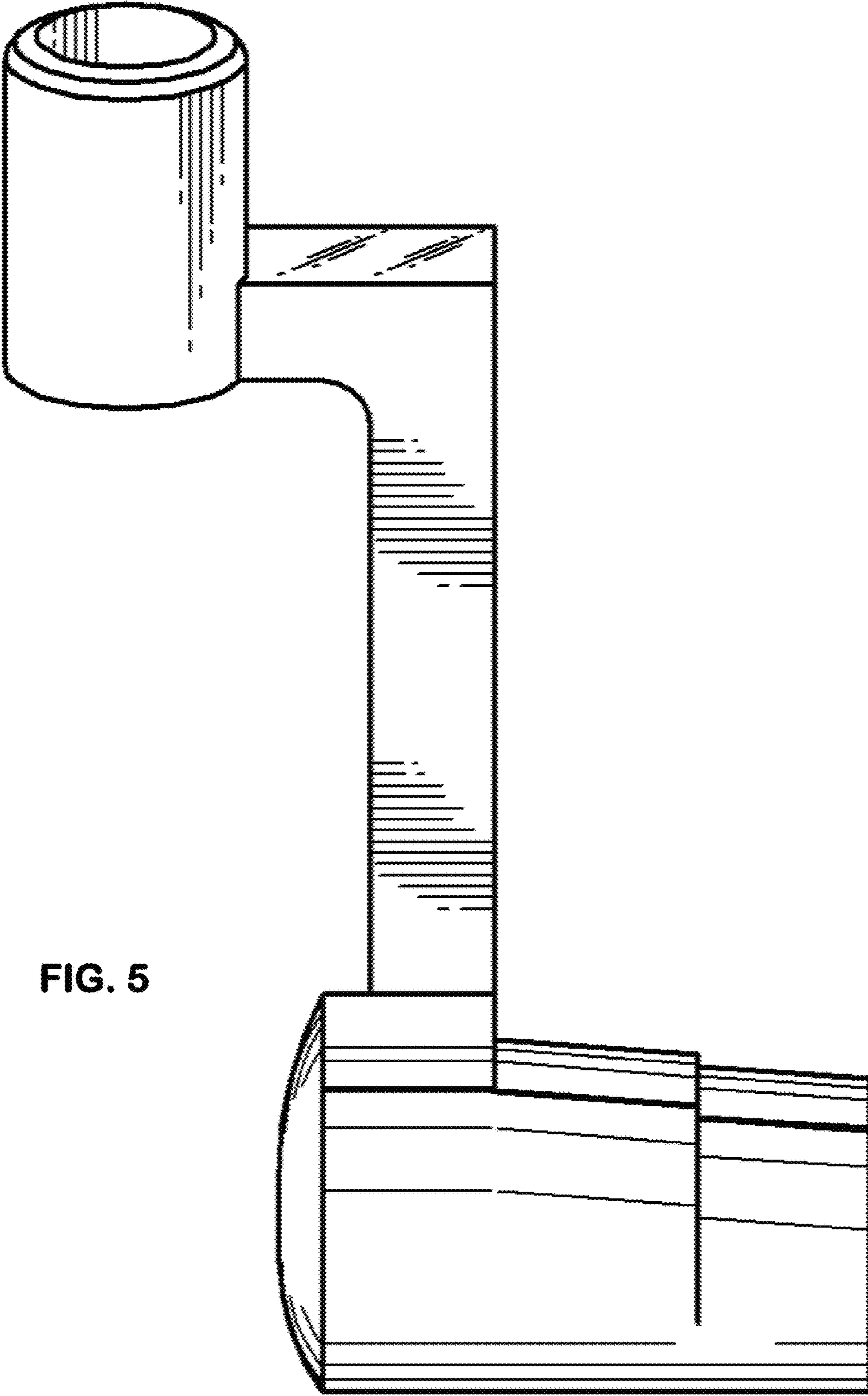


FIG. 5

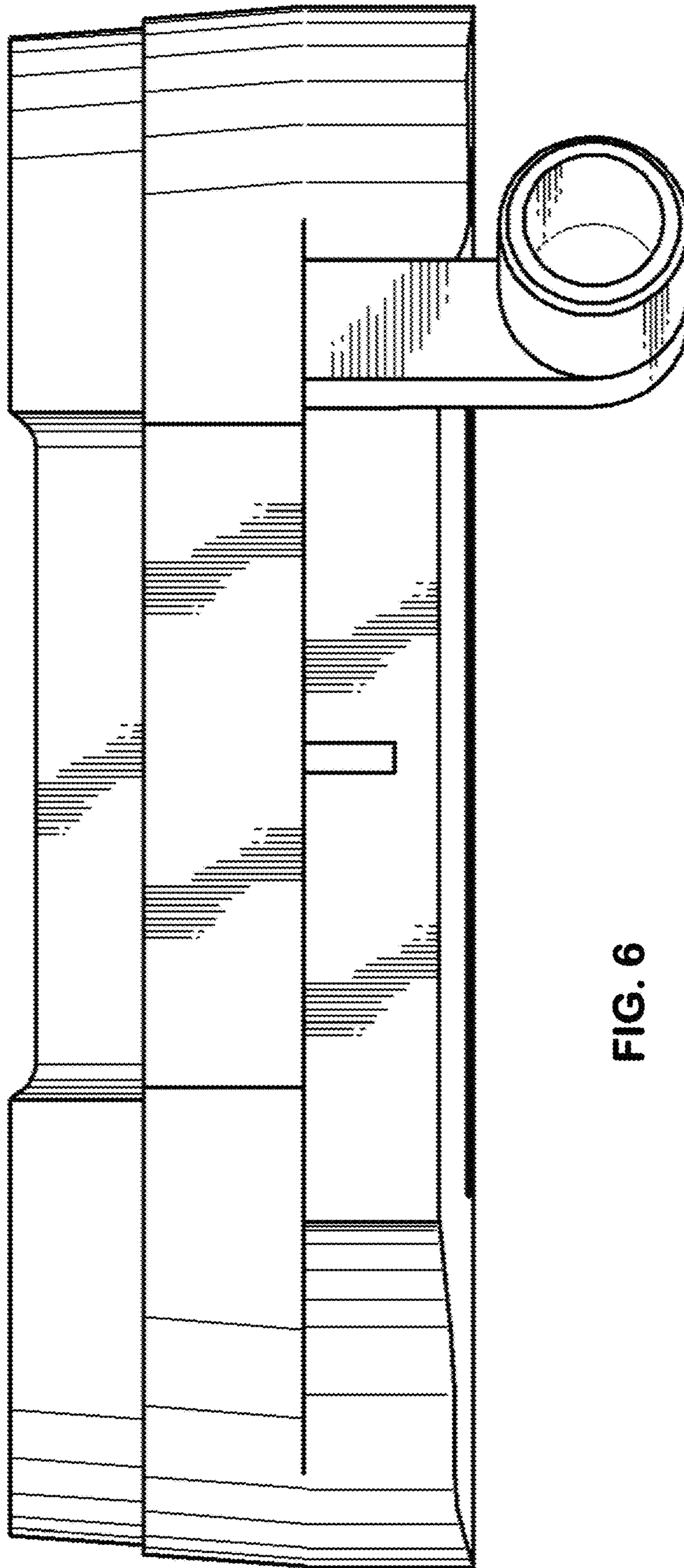


FIG. 6

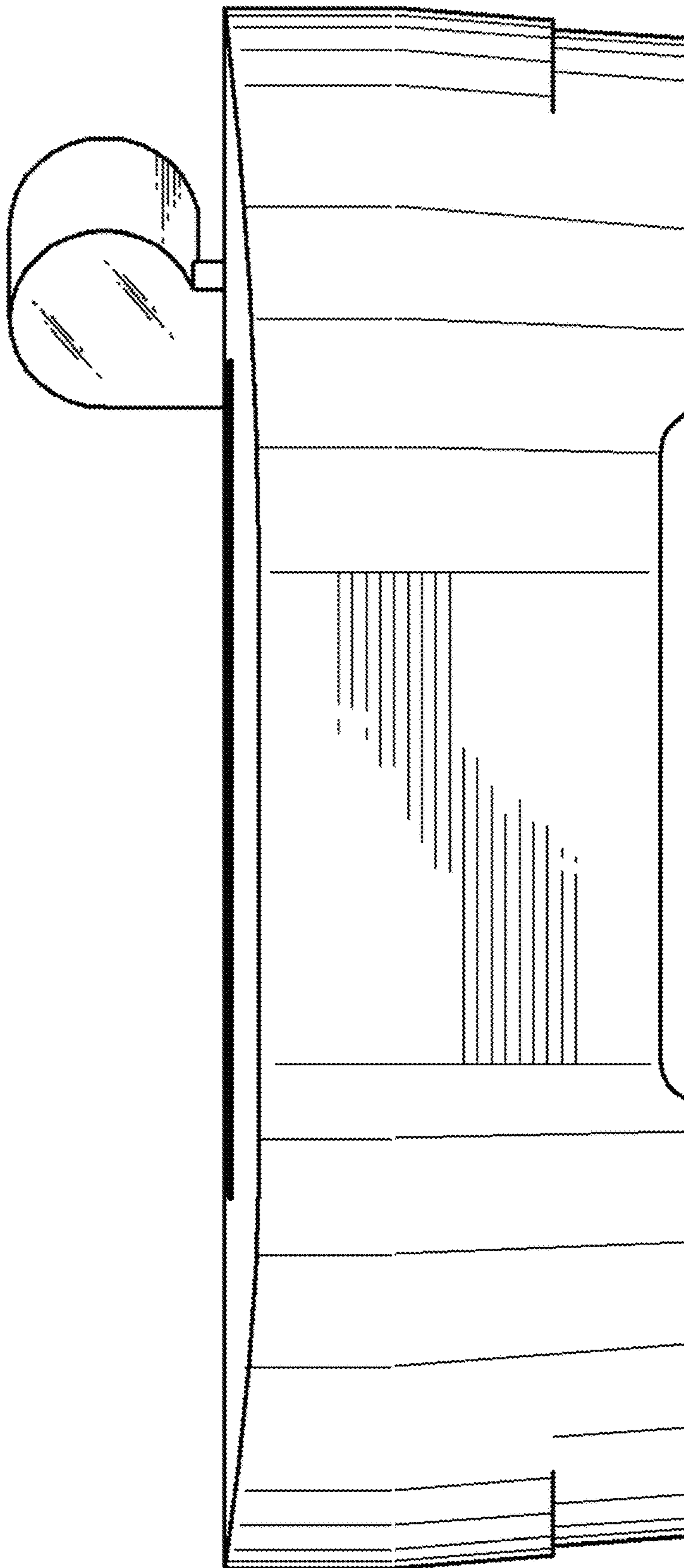


FIG. 7