



US00D829284S

(12) **United States Design Patent**  
**Zanger et al.**

(10) **Patent No.:** **US D829,284 S**

(45) **Date of Patent:** **\*\* Sep. 25, 2018**

(54) **WATER GEAR TOY**

(71) Applicant: **Global Marketing Enterprise (GME) Ltd., Tel Aviv (IL)**

(72) Inventors: **Israel Zanger, Tel Aviv (IL); Zafrina Weisman Zanger, Tel Aviv (IL)**

(\*\*) Term: **15 Years**

(21) Appl. No.: **29/567,559**

(22) Filed: **Jun. 10, 2016**

(30) **Foreign Application Priority Data**

Dec. 15, 2015 (IL) ..... 57836

(51) **LOC (11) Cl.** ..... **21-01**

(52) **U.S. Cl.**  
USPC ..... **D21/473**

(58) **Field of Classification Search**  
USPC ..... D21/398, 407, 472, 473, 474, 483, 493, D21/494, 495, 497, 506, 507, 510, 528, D21/542, 543, 561, 563; 446/89, 92, 446/153, 159, 166, 167, 176, 177, 201, 446/217, 218, 236, 424, 487  
CPC ..... A63H 23/00; A63H 23/005; A63H 23/08; A63H 23/10; A63H 23/14; A63H 23/16; A63H 29/10; A63H 29/12; A63H 29/14; A63H 29/20; A63H 31/00; A63H 31/08; A63H 33/00; A63H 33/042; A63H 33/103; A63H 33/30; A63H 33/3022; A63H 33/3038; A63H 33/40; A63H 33/42  
See application file for complete search history.

(56) **References Cited**

**U.S. PATENT DOCUMENTS**

1,200,791 A \* 10/1916 Young ..... A63H 33/40  
446/202  
1,978,993 A \* 10/1934 Duesberg ..... A63H 33/00  
472/52

D139,592 S \* 12/1944 Belknap ..... D21/455  
2,477,441 A \* 7/1949 Cole ..... A63H 33/042  
434/401  
4,689,032 A \* 8/1987 Trossman ..... A63H 23/10  
114/296  
D316,573 S \* 4/1991 Finiw ..... D21/474  
D317,332 S \* 6/1991 Williams ..... D21/483  
D317,333 S \* 6/1991 Thomson ..... D21/474  
5,259,803 A \* 11/1993 Lyman ..... A63H 31/00  
446/103  
5,385,472 A \* 1/1995 Mullin ..... G09B 23/12  
434/126  
D365,607 S \* 12/1995 Kino ..... D21/472  
D394,286 S \* 5/1998 Hirose ..... D21/528  
(Continued)

**FOREIGN PATENT DOCUMENTS**

CN 301902399 \* 5/2012  
CN 303903255 \* 11/2016  
(Continued)

*Primary Examiner* — Catherine A Tuttle  
(74) *Attorney, Agent, or Firm* — 1st-Tech-Ideas, Haim M. Factor

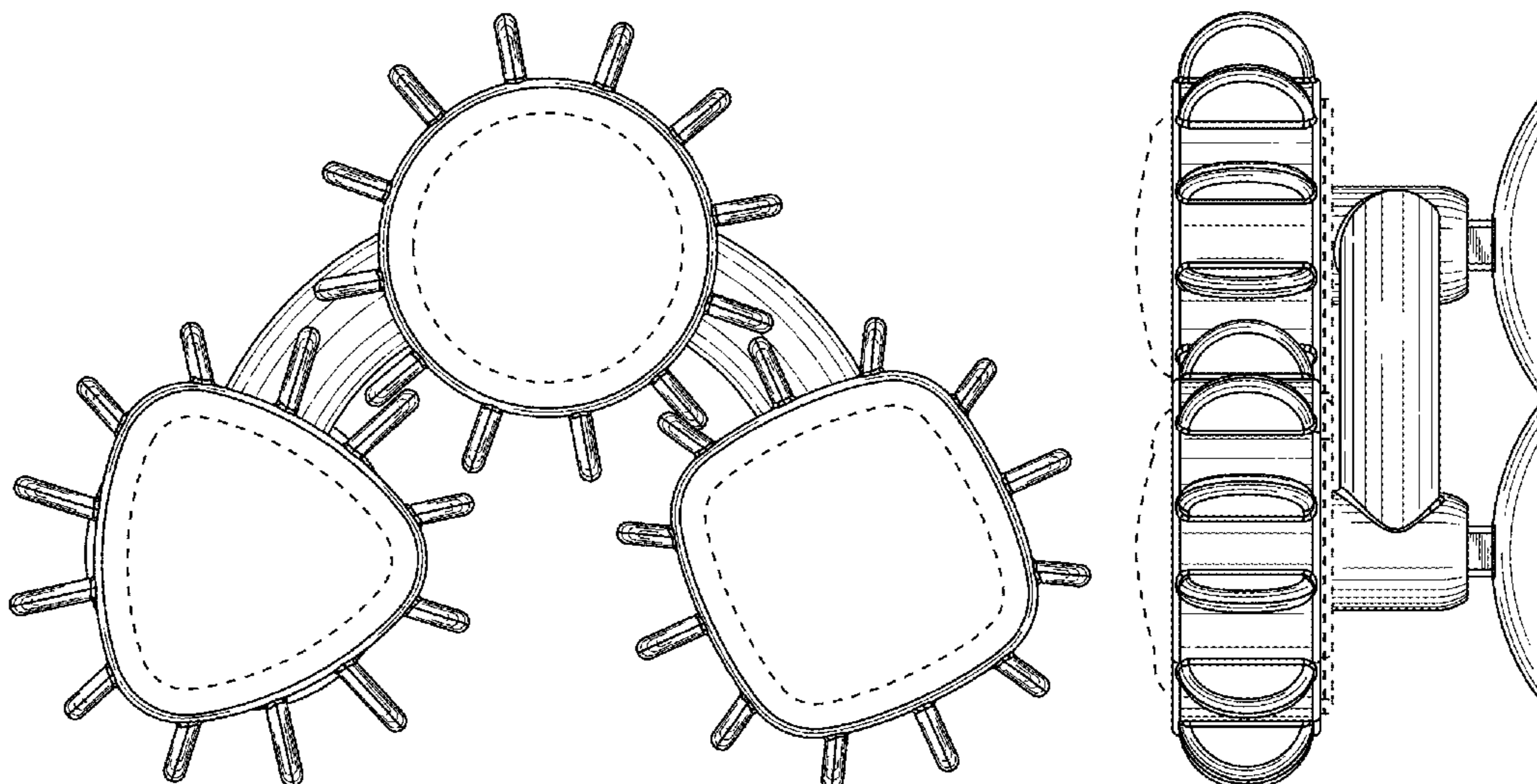
(57) **CLAIM**

The ornamental design for a water gear toy, shown and described.

**DESCRIPTION**

FIG. 1 is a front view of a water gear toy showing our new design;  
FIG. 2 is a back view thereof;  
FIG. 3 is a left side view thereof;  
FIG. 4 is a right side view thereof;  
FIG. 5 is a top view thereof; and,  
FIG. 6 is a bottom view thereof.  
The broken lines are included for the purpose of illustrating the portions of the water toy that form no part of the claimed design.

**1 Claim, 6 Drawing Sheets**



(56)

**References Cited**

U.S. PATENT DOCUMENTS

6,503,123 B2 \* 1/2003 Chung ..... A63H 3/20  
446/330  
D643,158 S \* 8/2011 Lipscomb ..... D30/132  
D723,106 S \* 2/2015 Kino ..... D21/455  
D789,458 S \* 6/2017 Weisman ..... D21/473  
10,010,800 B2 \* 7/2018 Weisman ..... A63H 23/14  
2003/0119416 A1 \* 6/2003 Esterle ..... A63H 31/00  
446/71  
2011/0198859 A1 \* 8/2011 Huang ..... A63H 1/18  
290/1 C  
2017/0173483 A1 \* 6/2017 Weisman ..... A63H 23/16  
2018/0117482 A1 \* 5/2018 Weisman ..... A63H 23/14

FOREIGN PATENT DOCUMENTS

CN 303950990 \* 11/2016  
CN 303950992 \* 11/2016  
EM 003176932-0001 \* 8/2016  
JP D1083826 \* 9/2000  
WO WO-2016038618 A1 \* 3/2016 ..... A63H 23/16  
WO WO-2016038619 A2 \* 3/2016 ..... A63H 23/14

\* cited by examiner

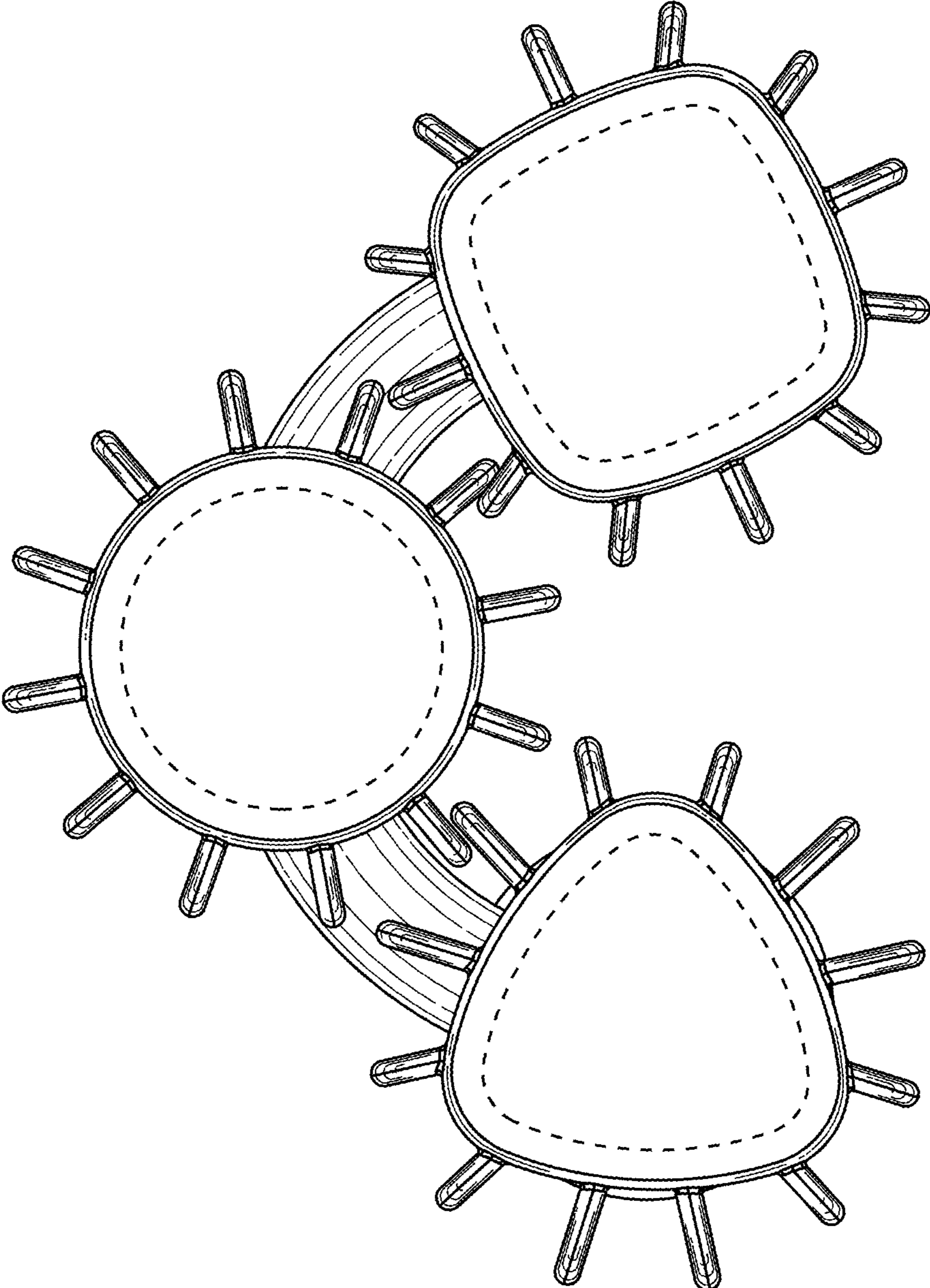


FIG. 1

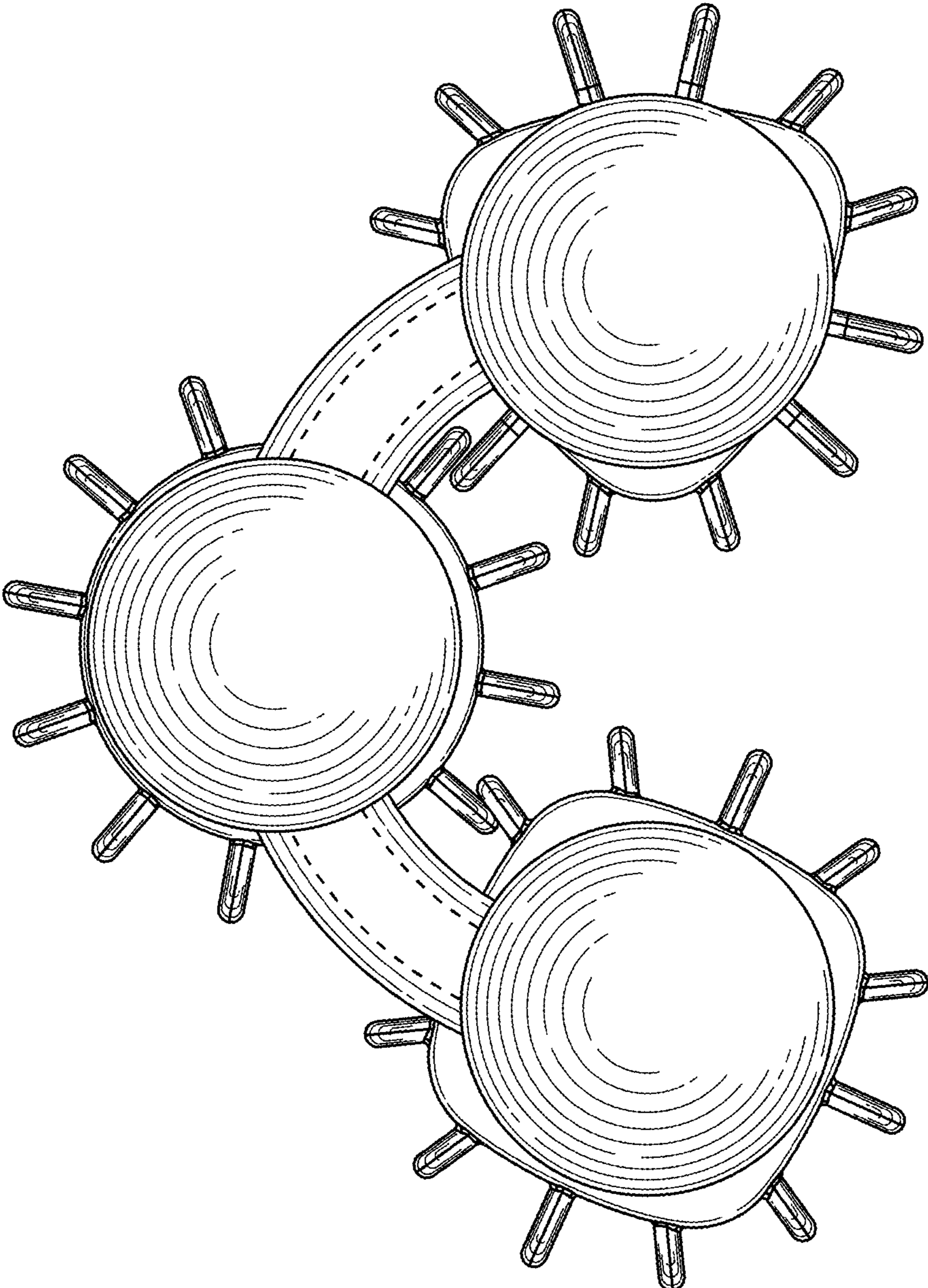


FIG. 2

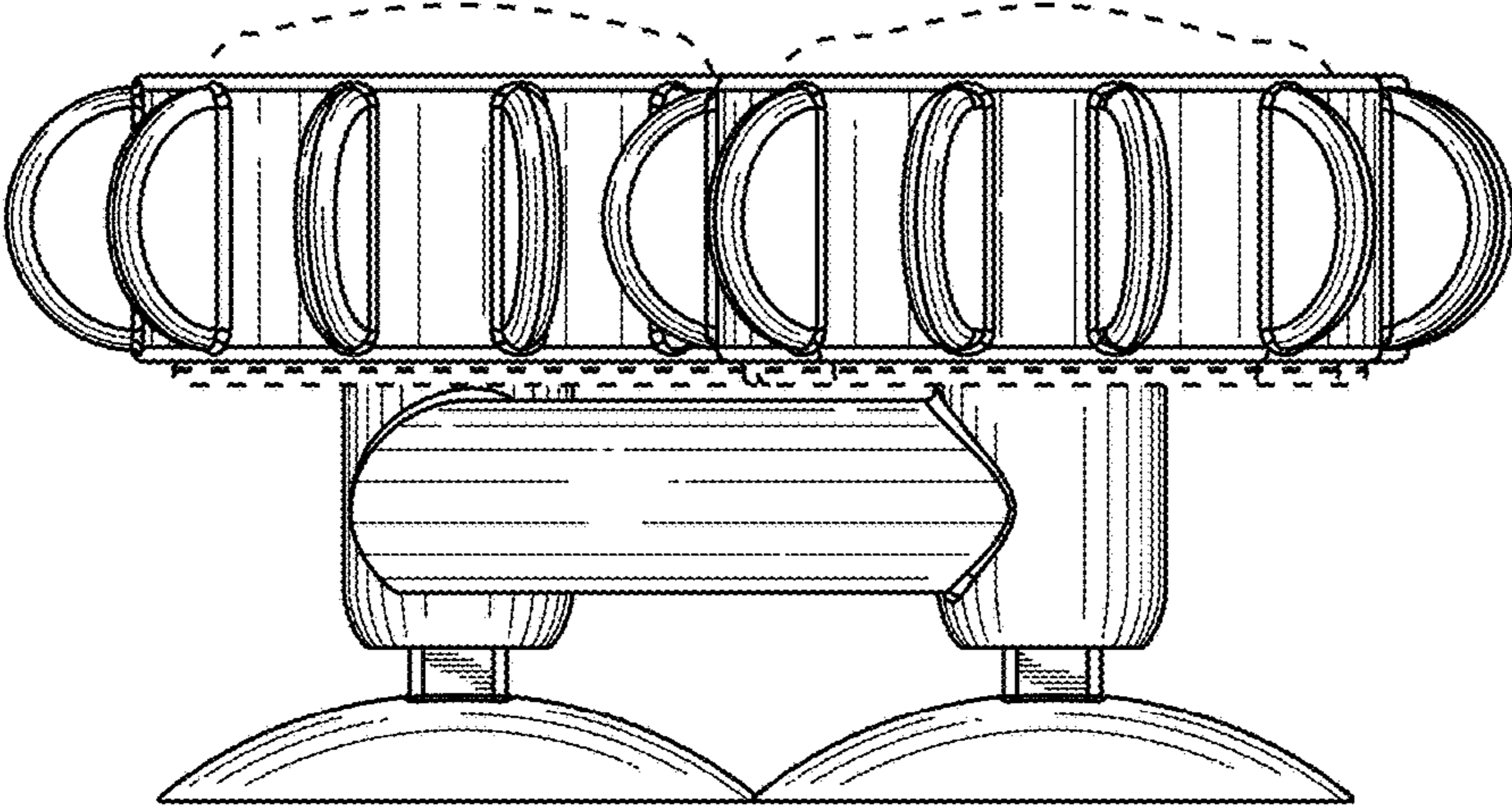


FIG. 3

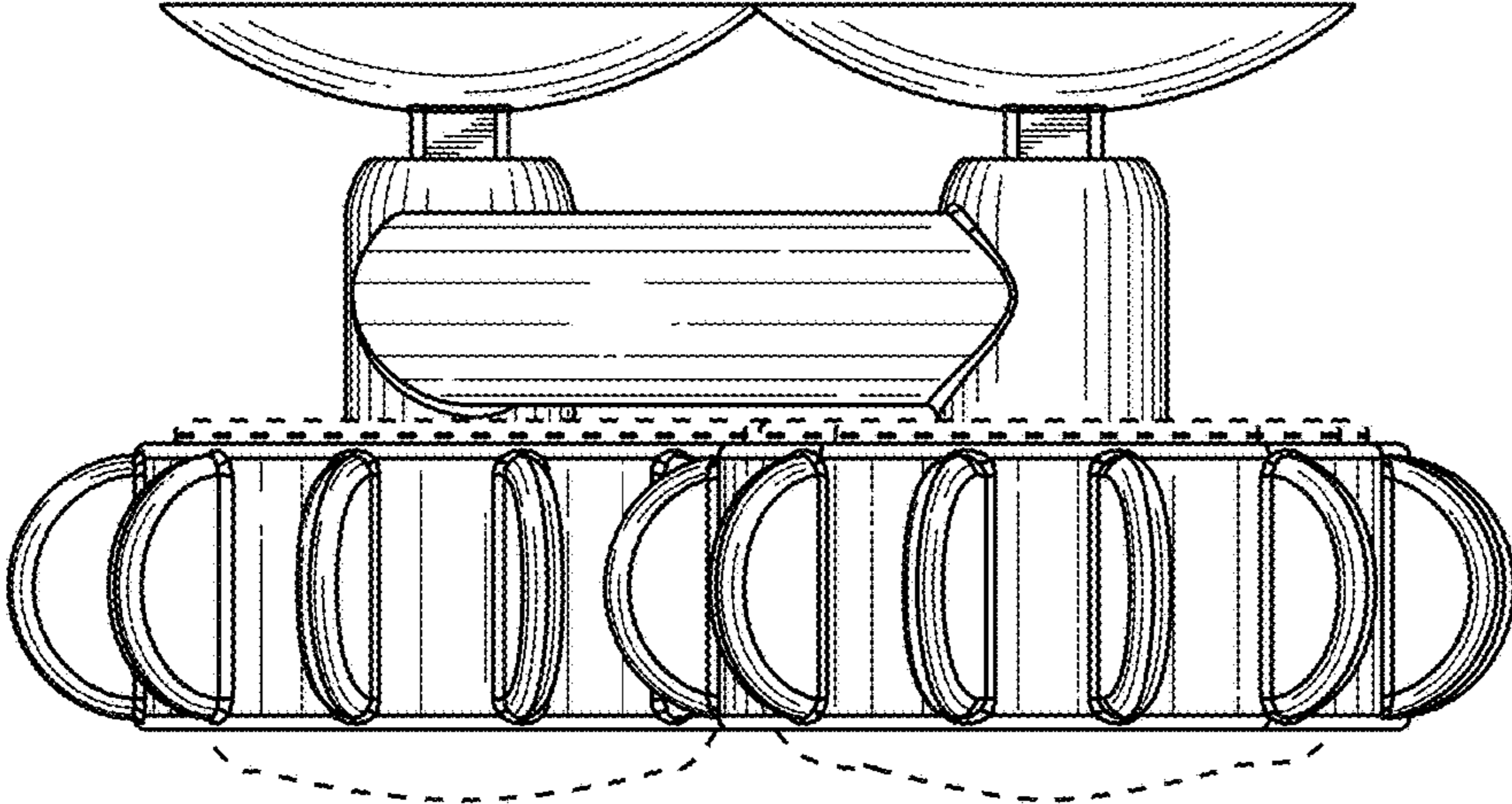


FIG. 4

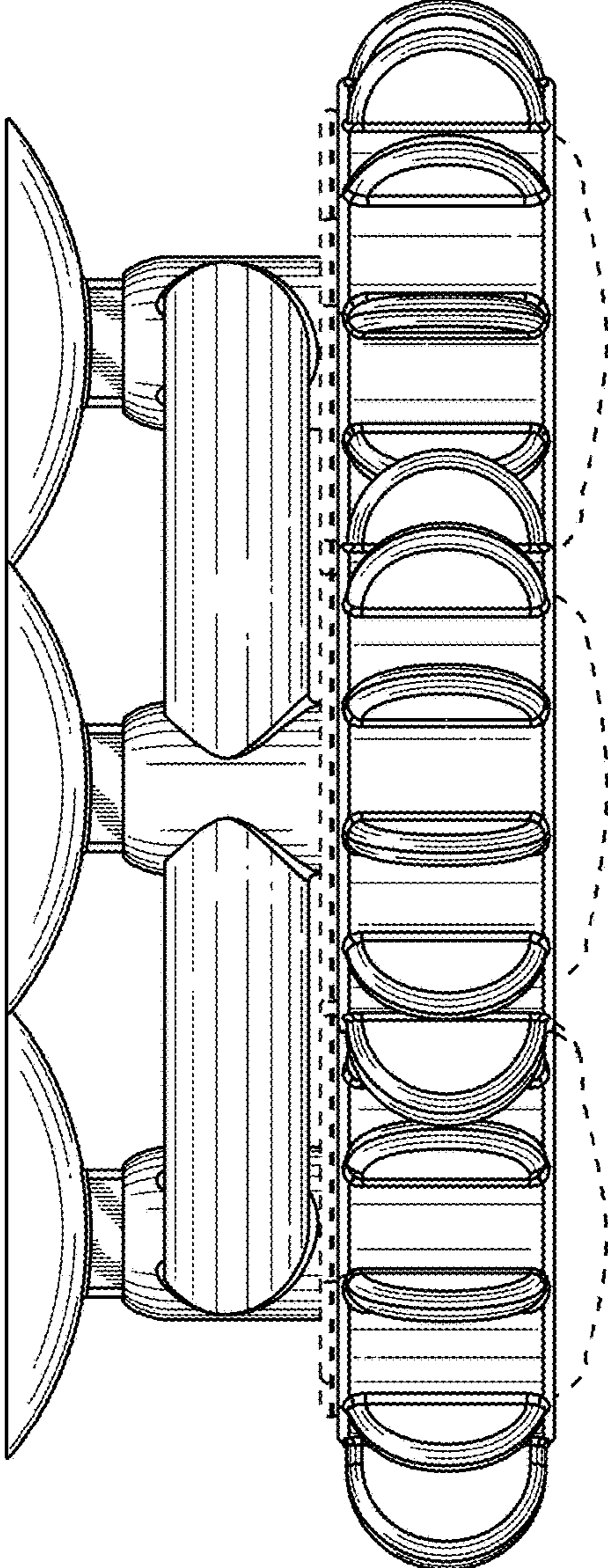


FIG. 5

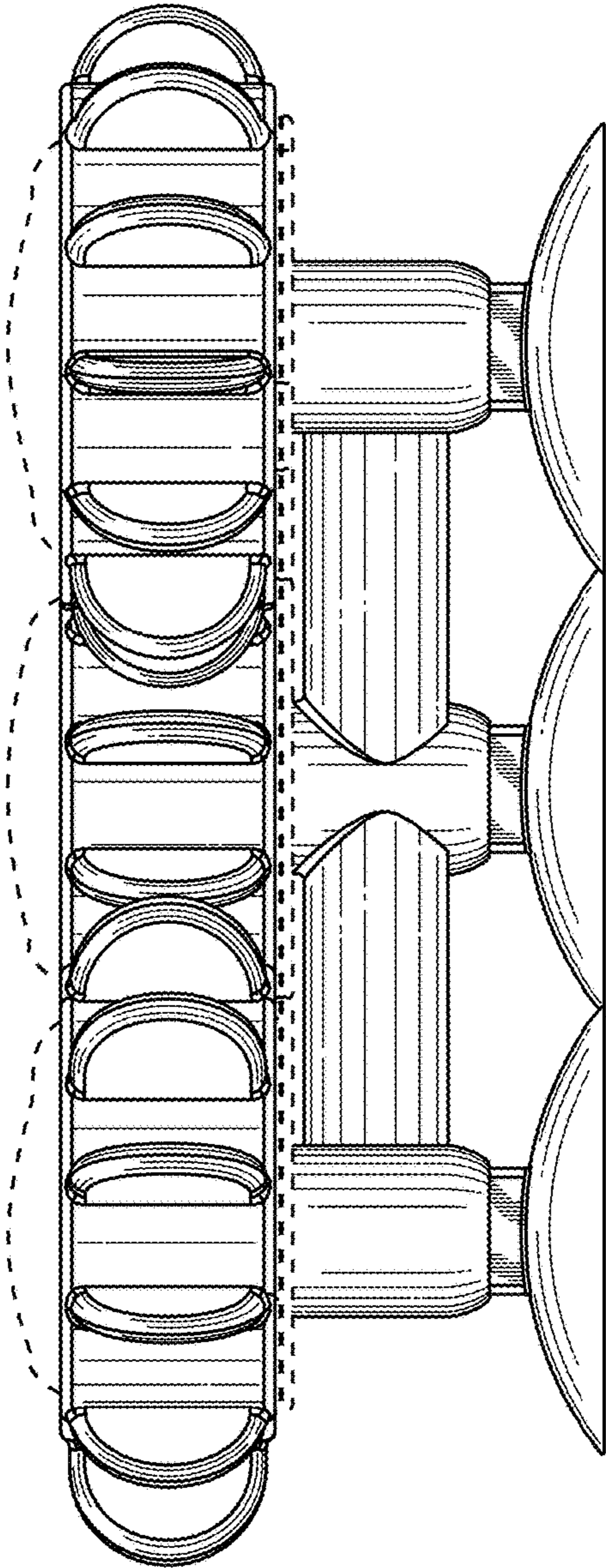


FIG. 6