



US00D829283S

(12) **United States Design Patent** (10) **Patent No.:** **US D829,283 S**
Cai (45) **Date of Patent:** **** Sep. 25, 2018**

(54) **QUADCOPTER**
(71) Applicant: **Guangdong Meijiixin Innovation and Technology Co., Ltd.**, Chenghai, Shantou (CN)
(72) Inventor: **Zhaohan Cai**, Shantou (CN)
(73) Assignee: **Guangdong Jeijiixin Innovation and Technology Co., Ltd.**, Shantou (CN)

(**) Term: **15 Years**
(21) Appl. No.: **29/571,429**

(22) Filed: **Jul. 18, 2016**
(51) **LOC (11) Cl.** **21-01**
(52) **U.S. Cl.**
USPC **D21/441**
(58) **Field of Classification Search**
USPC D12/16.1, 319-345; D21/436, 441, 442, D21/443, 444, 447-454
CPC B64C 2201/141; B64C 39/024; B64C 2201/127
See application file for complete search history.

(56) **References Cited**

U.S. PATENT DOCUMENTS

D745,435 S * 12/2015 Park D12/16.1
D756,842 S * 5/2016 Ashjaee D12/16.1
D783,727 S * 4/2017 Xiao D21/441
D784,201 S * 4/2017 Goldy D12/16.1
D784,202 S * 4/2017 Park D12/16.1
D785,717 S * 5/2017 Xiao D21/441
D793,482 S * 8/2017 Wang D12/16.1
D798,962 S * 10/2017 Xiao D21/441
D798,963 S * 10/2017 Xiao D21/441
D800,016 S * 10/2017 Huang D12/16.1

D808,301 S * 1/2018 Goldy D12/16.1
D809,992 S * 2/2018 Hu D12/328
D814,350 S * 4/2018 Joo D12/16.1
D814,385 S * 4/2018 Zhao D12/328
2017/0072755 A1 * 3/2017 Zhou B64C 29/0033
2017/0073070 A1 * 3/2017 Xing B64C 39/024
2017/0269609 A1 * 9/2017 Bradlow G05D 1/102
2018/0002023 A1 * 1/2018 Tian B64D 13/006

OTHER PUBLICATIONS

Original GTeng T902C 720P HD Camera RC Quadcopter by RCmoment. dated 2016. found online [May 9, 2018] <https://www.rcmoment.com/p-rm6236.html>.
GTeng T906W Mini Quadcopter by GearBest. dated May 15, 2017. found online [May 9, 2018] https://www.gearbest.com/rc-quadcopters/pp_461945.html.

* cited by examiner

Primary Examiner — Brandon Michael Rosati
Assistant Examiner — Marissa J Cash
(74) *Attorney, Agent, or Firm* — Schmeiser, Olsen & Watts, LLP

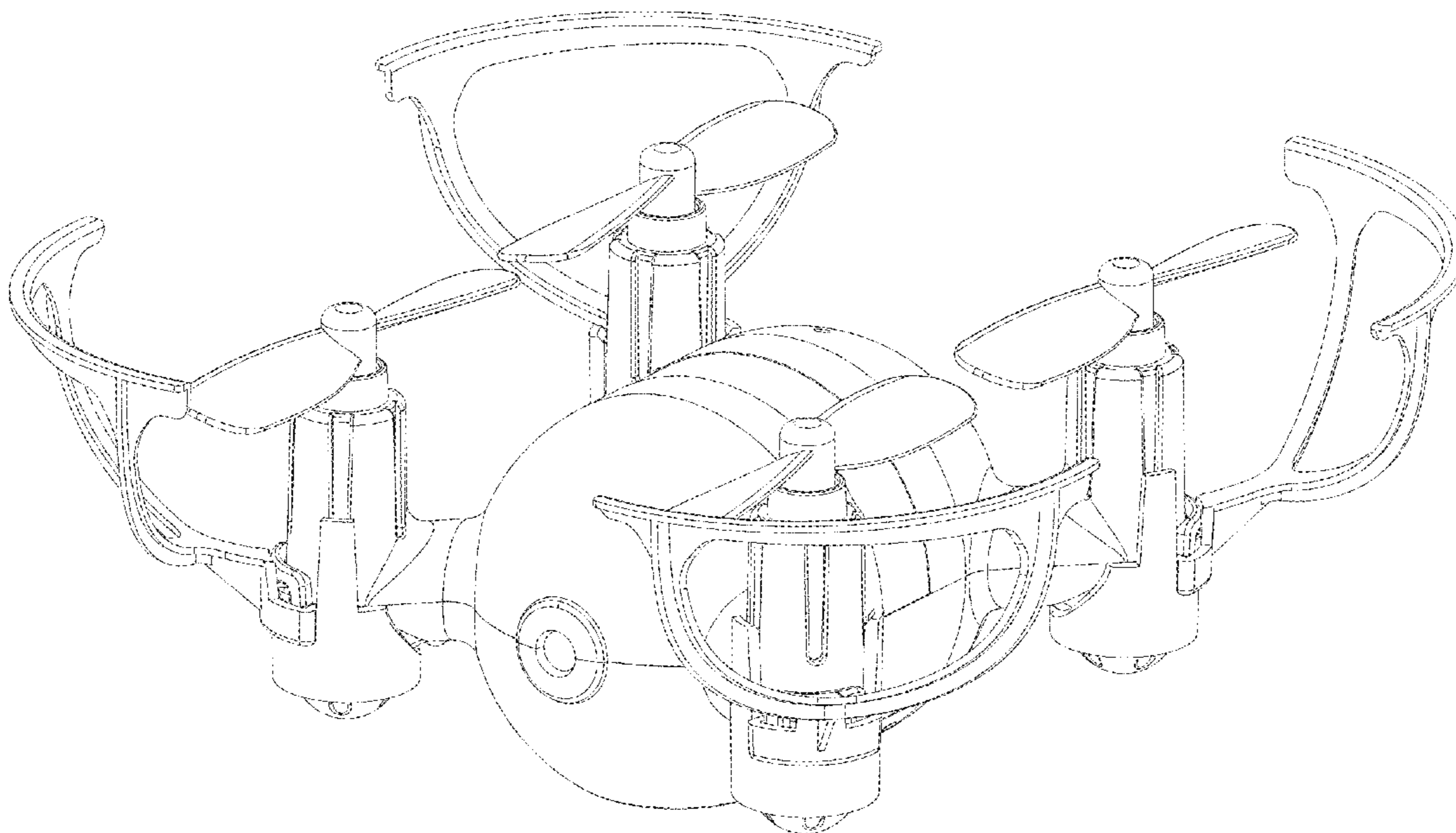
(57) **CLAIM**

The ornamental design for a quadcopter, as shown and described.

DESCRIPTION

FIG. 1 is a Front elevational view of a quadcopter showing my new design;
FIG. 2 is a Rear elevational view thereof;
FIG. 3 is a Left side view thereof;
FIG. 4 is a Right side view thereof;
FIG. 5 is a Top plan view thereof;
FIG. 6 is a Bottom plan view thereof; and,
FIG. 7 is a Perspective view thereof.

1 Claim, 7 Drawing Sheets



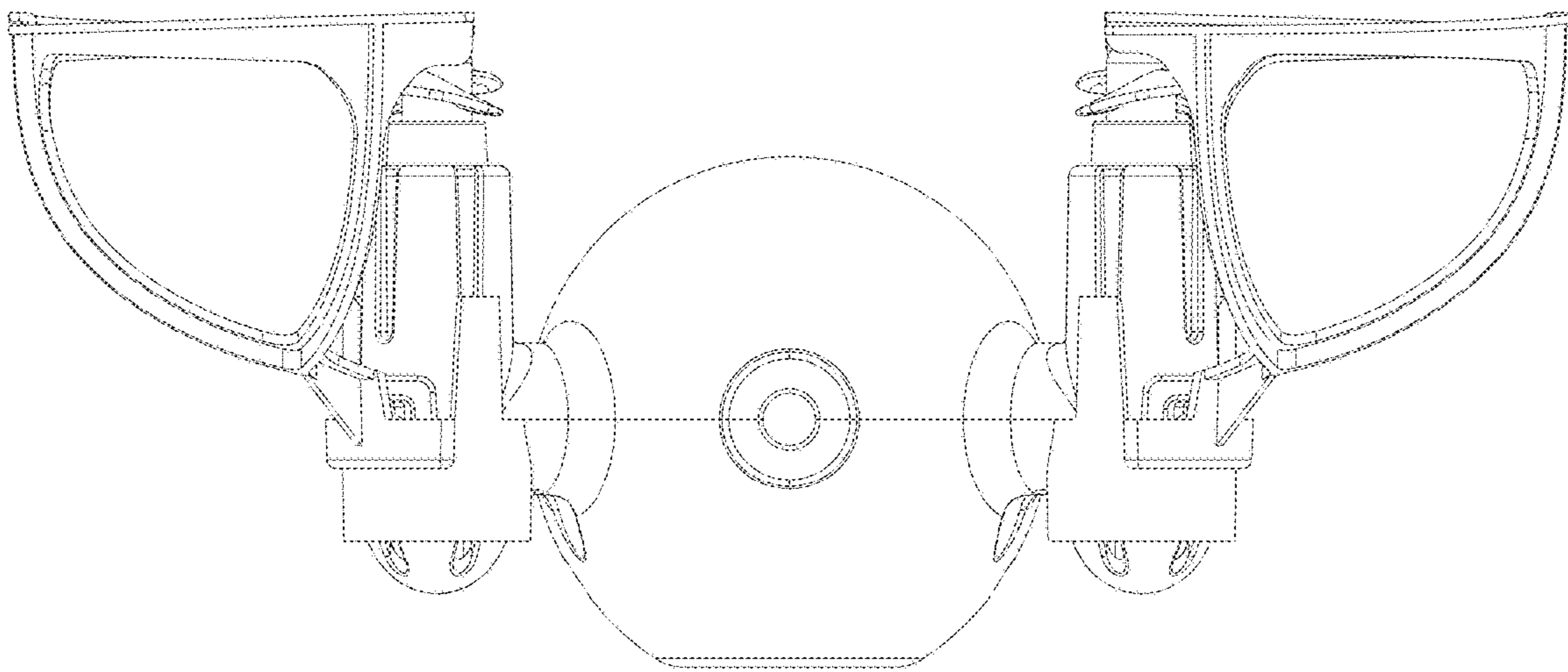


Fig. 1

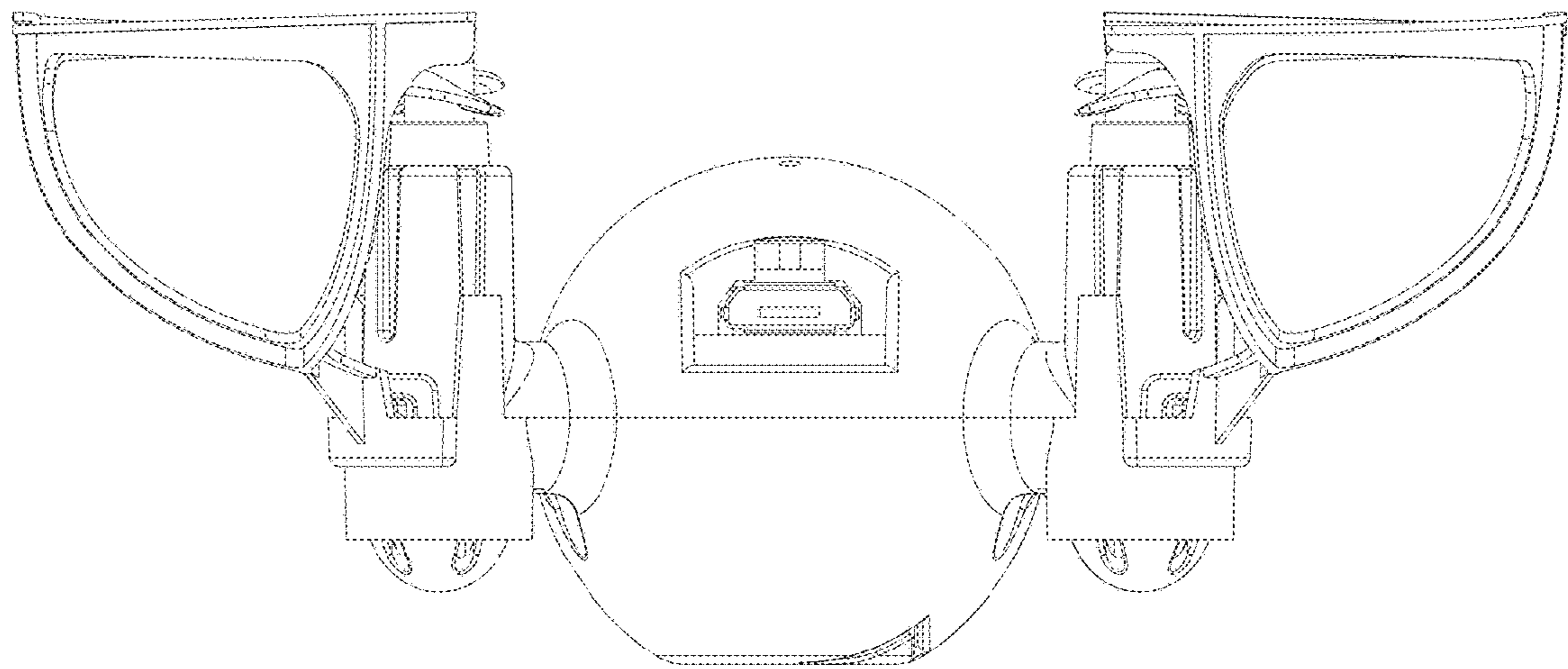


Fig. 2

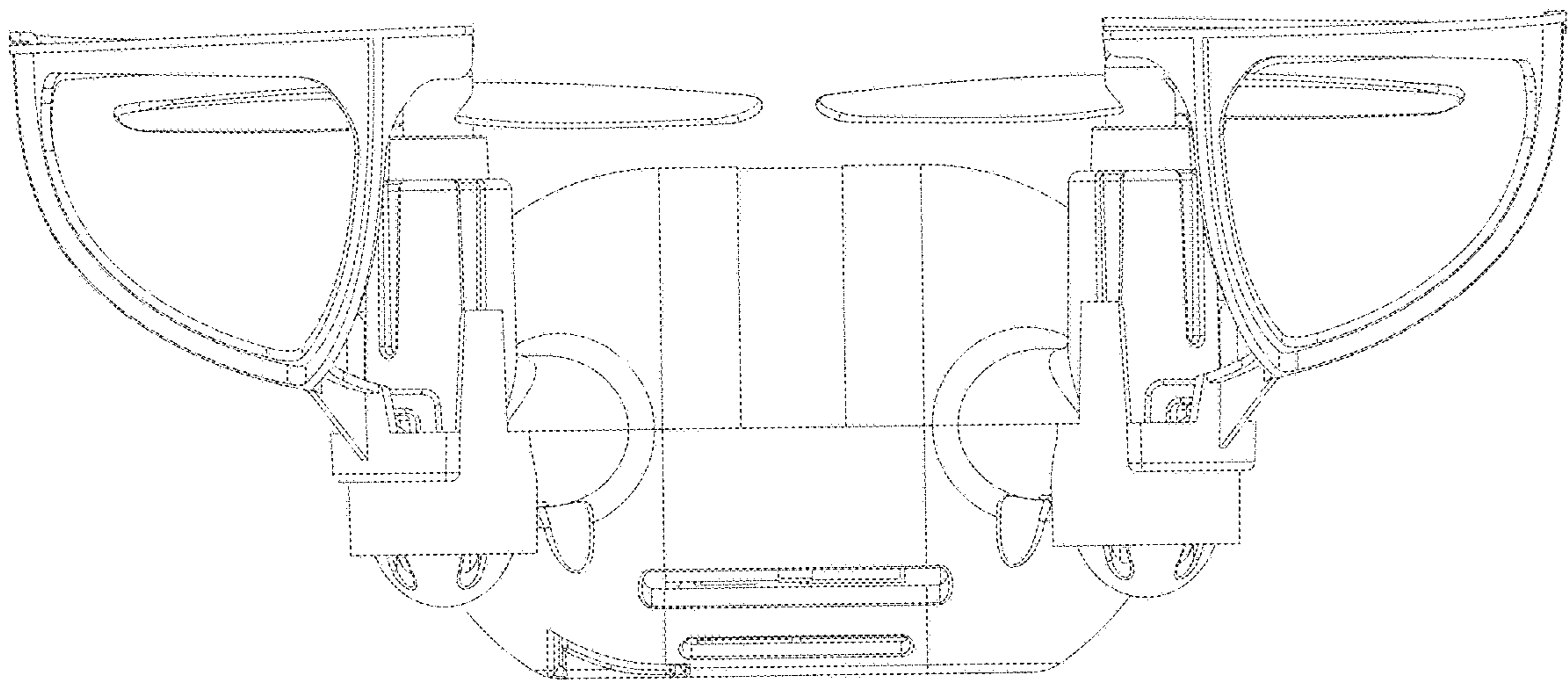


Fig. 3

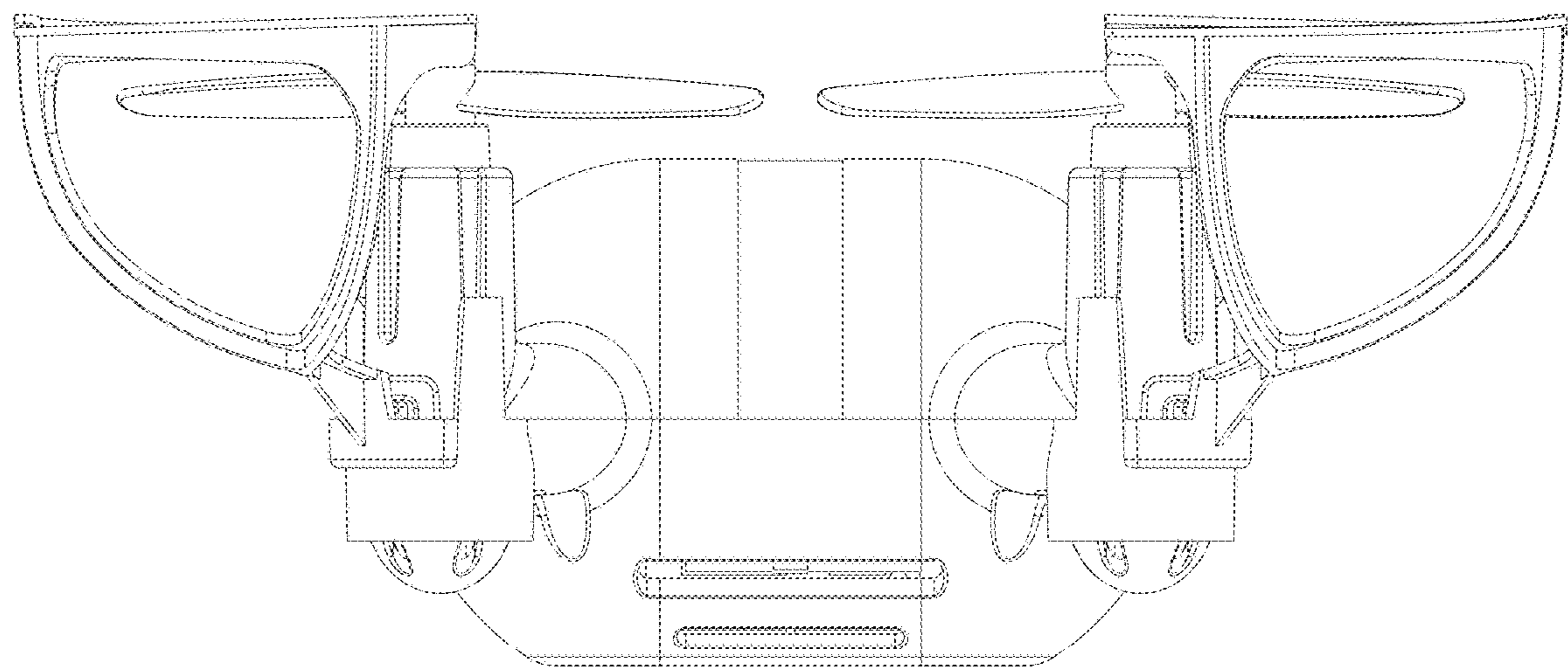


Fig. 4

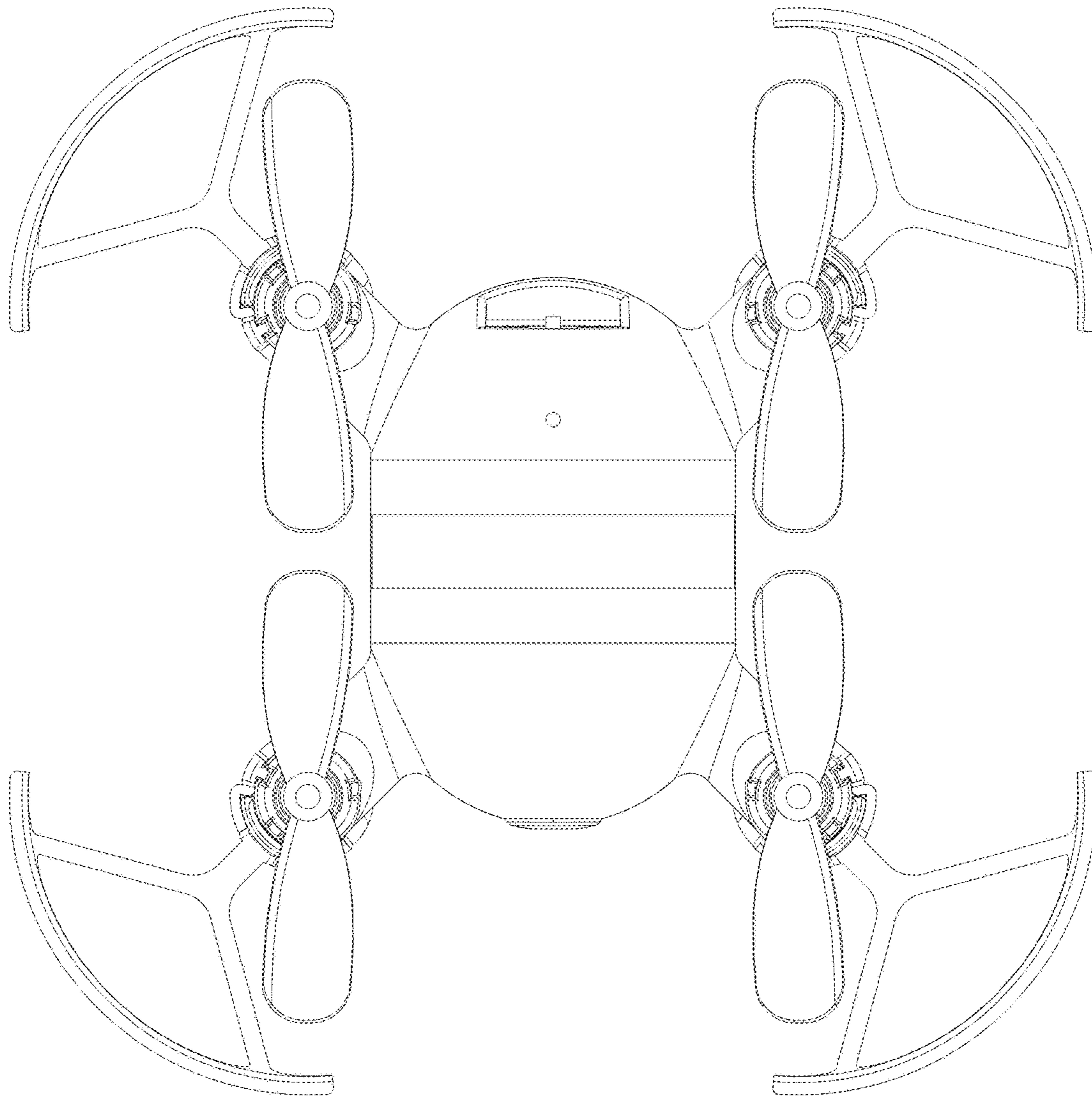


Fig. 5

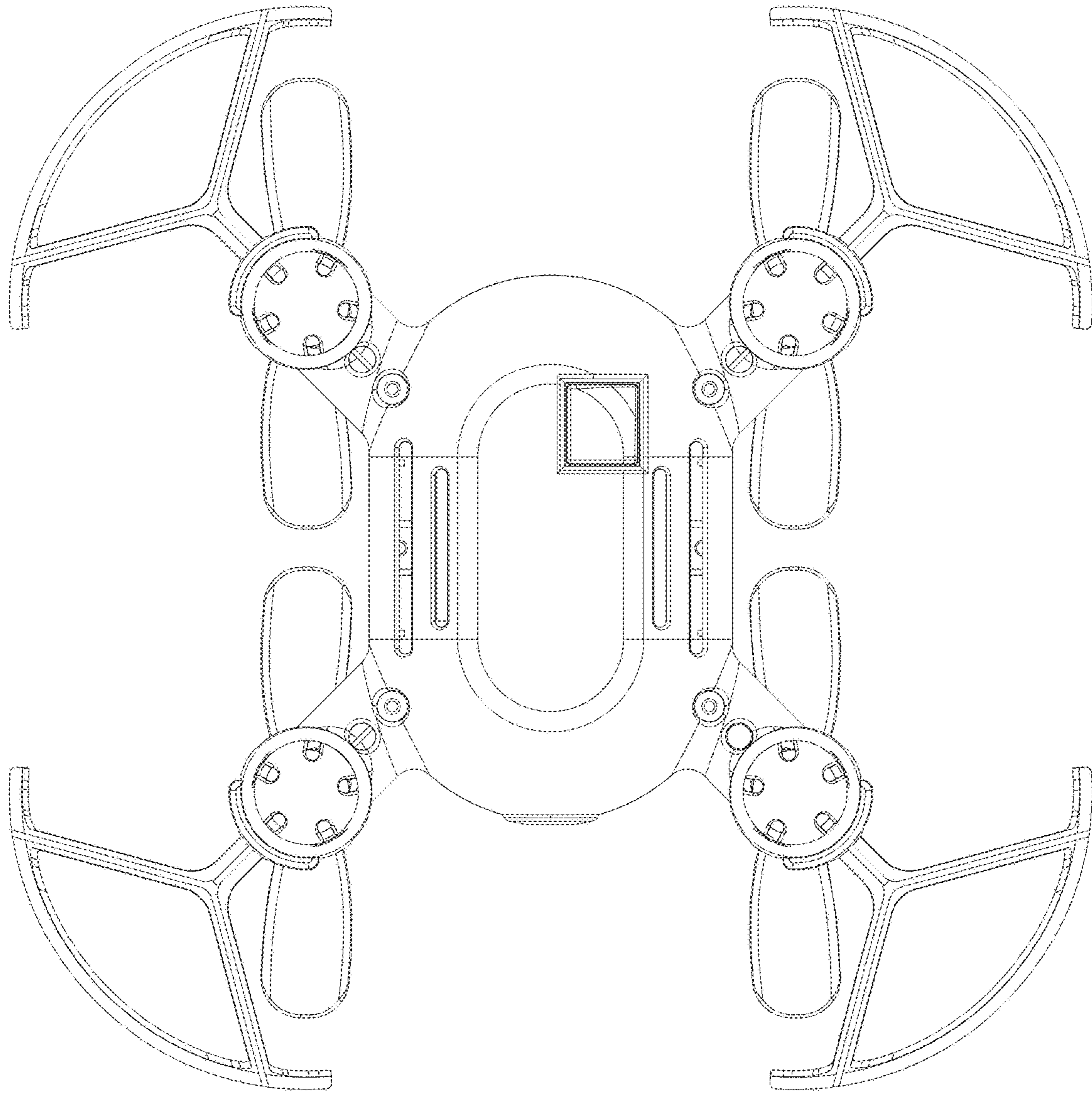


Fig. 6

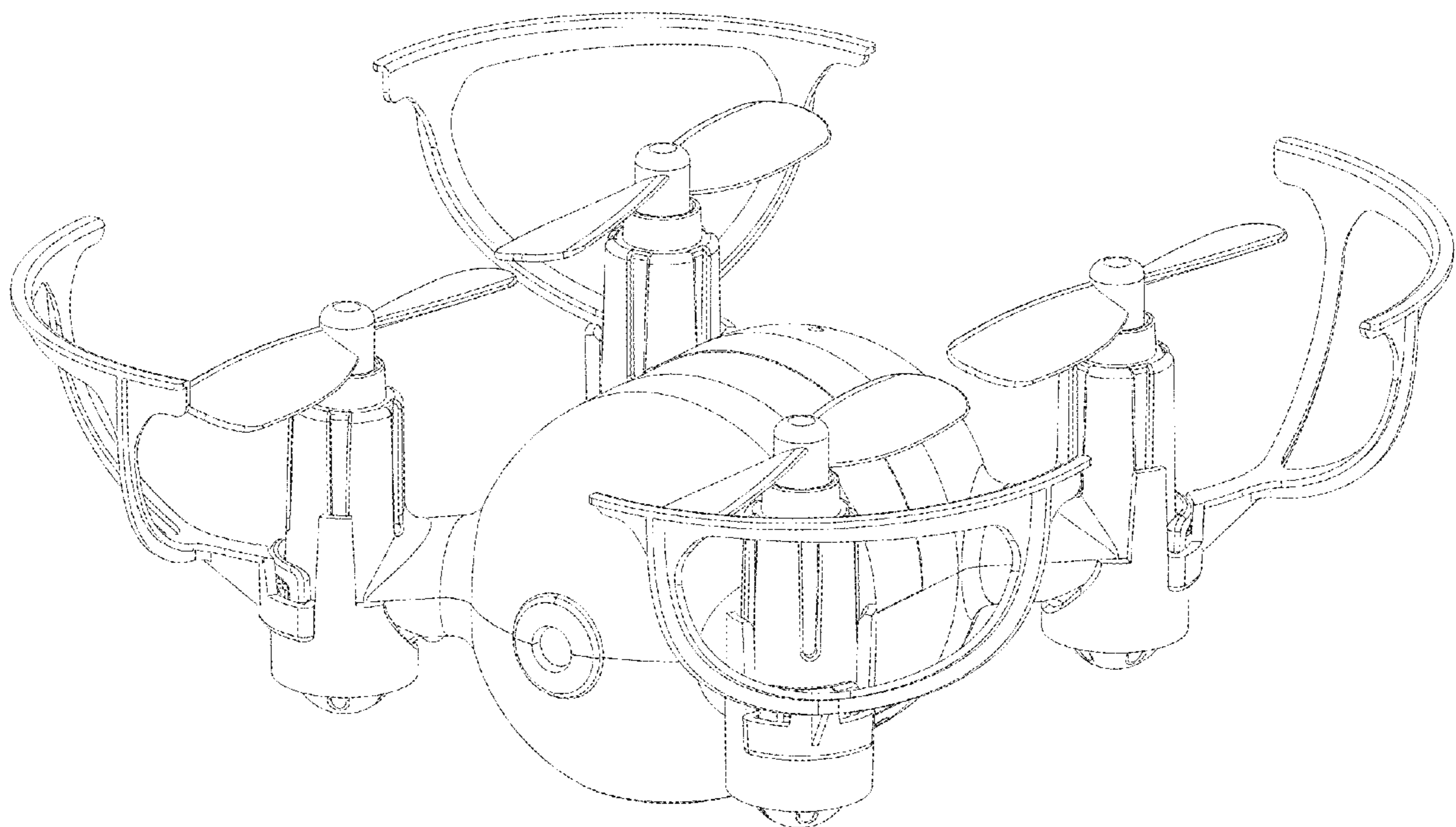


Fig. 7

UNITED STATES PATENT AND TRADEMARK OFFICE
CERTIFICATE OF CORRECTION

PATENT NO. : D829,283 S
APPLICATION NO. : 29/571429
DATED : September 25, 2018
INVENTOR(S) : Zhaohan Cai

Page 1 of 1

It is certified that error appears in the above-identified patent and that said Letters Patent is hereby corrected as shown below:

On the Title Page

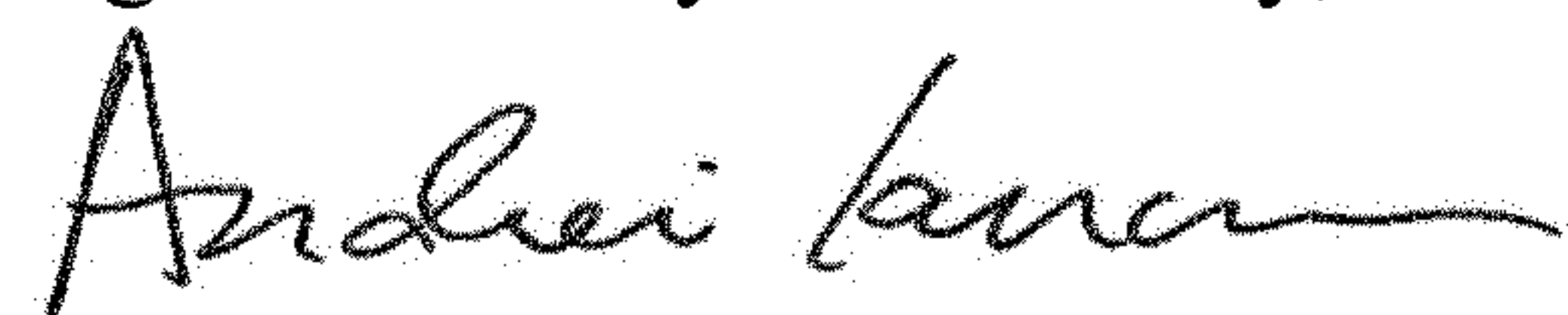
Item (73) naming the Assignee currently reads:

(73) Assignee: Guangdong Jejiixin Innovation and Technology Co., Ltd., Shantou (CN)

And should read:

(73) Assignee: Guangdong Meijiixin Innovation and Technology Co., Ltd., Shantou (CN)

Signed and Sealed this
Eighteenth Day of February, 2020



Andrei Iancu
Director of the United States Patent and Trademark Office