



US00D829274S

(12) **United States Design Patent**
Huang

(10) **Patent No.:** **US D829,274 S**

(45) **Date of Patent:** **** Sep. 25, 2018**

(54) **PAYMENT TERMINAL**

(71) Applicant: **Pax Computer Technology (Shenzhen) Co., Ltd.**, Shenzhen (CN)

(72) Inventor: **Xiaojun Huang**, Shenzhen (CN)

(73) Assignee: **PAX COMPUTER TECHNOLOGY (SHENZHEN) CO., LTD.**, Shenzhen (CN)

(**) Term: **15 Years**

(21) Appl. No.: **29/602,158**

(22) Filed: **Apr. 28, 2017**

(30) **Foreign Application Priority Data**

Apr. 10, 2017 (CN) 2017 3 0115862

(51) **LOC (11) Cl.** **18-01**

(52) **U.S. Cl.**

USPC **D18/4.6; D14/385**

(58) **Field of Classification Search**

USPC D18/4.4, 4.5, 4.6, 2, 11, 50, 14, 19-21, D18/54, 99; D14/300, 307, 338, 339, D14/341, 356, 357, 383, 385, 386, 388, D14/426, 453-455, 496, 507, 509, 510, D14/154, 155, 158, 168, 218, 225, 226, D14/248, 299, 314, 328, 332, 335, 900, D14/902, 389, 390; D10/46, 61, 62, 70, D10/104.1, 104.2, 106.2, 106.6, 65, 66; D20/1; D13/168

CPC H04W 8/22; H04W 52/0225; H04W 52/0254; G06Q 20/00; G06Q 20/08; G06Q 20/20; G07F 7/0873; G07F 7/088; G07G 1/0009; G07G 1/0018

See application file for complete search history.

(56) **References Cited**

U.S. PATENT DOCUMENTS

D346,591 S * 5/1994 Lee D14/342
D354,276 S * 1/1995 Wilson D18/4.6

D357,495 S * 4/1995 Skagg D14/336
D411,517 S * 6/1999 Lin D14/336
D423,470 S * 4/2000 Neifer D14/385
D428,019 S * 7/2000 Amron D14/203.7
D501,473 S * 2/2005 Nakata D14/341
D503,172 S * 3/2005 Izumi D14/385
D515,092 S * 2/2006 Wilfong D14/385
D558,765 S * 1/2008 Fitler D14/385
D669,048 S * 10/2012 List D14/126
D681,639 S * 5/2013 Cruz D14/385
D682,830 S * 5/2013 Taunay da Graca Couto D14/385
D689,921 S * 9/2013 Branck D18/4.6
D692,885 S * 11/2013 Cruz D14/307
D698,384 S * 1/2014 Cruz D18/4.4
D707,676 S * 6/2014 Azuma D14/307
D707,677 S * 6/2014 Azuma D14/307
D709,069 S * 7/2014 Cruz D14/385

(Continued)

Primary Examiner — Janice C Hallmark

Assistant Examiner — Marie D. Fast Horse

(74) *Attorney, Agent, or Firm* — Howard IP Law Group

(57)

CLAIM

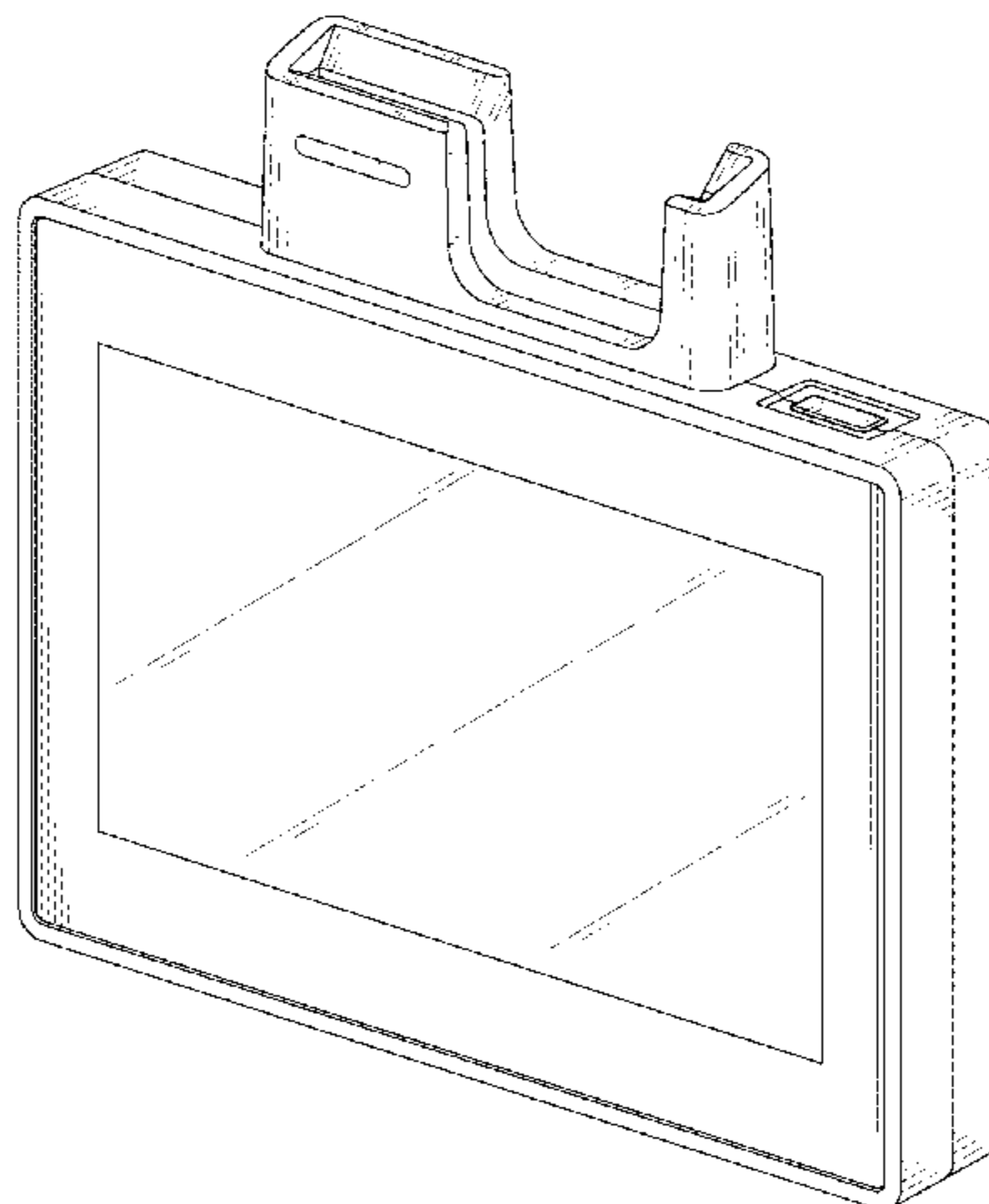
The ornamental design for a payment terminal, as shown and described.

DESCRIPTION

FIG. 1 is a first perspective view of a payment terminal showing our new design;
FIG. 2 is a second perspective view thereof;
FIG. 3 is a front view thereof;
FIG. 4 is a rear view thereof;
FIG. 5 is a left side view thereof;
FIG. 6 is a right side view thereof;
FIG. 7 is a top view thereof; and,
FIG. 8 is a bottom view thereof.

The broken lines in the drawings depict portions of the payment terminal that form no part of the claimed design.

1 Claim, 8 Drawing Sheets



(56)

References Cited

U.S. PATENT DOCUMENTS

D711,460 S *	8/2014	Schwarzkopf	D18/4.6	D791,860 S *	7/2017	Greaves	D18/4.6
D716,300 S *	10/2014	Cruz	D14/385	D798,378 S *	9/2017	Kim	D18/4.6
D720,000 S *	12/2014	Lyons	D18/4.5	D810,817 S *	2/2018	Wang	D18/4.6
D723,031 S *	2/2015	Rawal	D14/385	D813,863 S *	3/2018	Barea	D14/341
D723,546 S *	3/2015	Grziwok	D14/341	D814,559 S *	4/2018	Oross	D14/385
D725,109 S *	3/2015	Azuma	D14/385	2012/0145787 A1 *	6/2012	Lin	G07F 7/088
D726,182 S *	4/2015	Durham	D14/385				235/439
D727,902 S *	4/2015	Saulnier, III	D14/385	2012/0250276 A1 *	10/2012	Nakajima	G06F 1/1626
D729,243 S *	5/2015	Toh	D14/385				361/752
D729,244 S *	5/2015	Toh	D14/385	2012/0286040 A1 *	11/2012	Ko	G07G 1/0018
D735,802 S *	8/2015	Lyons	D18/4.5				235/383
D746,902 S *	1/2016	Lyons	D18/4.6	2014/0144988 A1 *	5/2014	Chiang	G07G 1/0018
9,323,961 B2 *	4/2016	Azuma	G06F 1/1626				235/449
D761,350 S *	7/2016	Beatty	D18/12	2015/0193753 A1 *	7/2015	Lam	G07G 1/0018
D761,899 S *	7/2016	Beatty	D18/4.6				705/16
D772,335 S *	11/2016	Nishi	D18/4.6	2015/0241919 A1 *	8/2015	Beatty	G06F 1/1632
							361/679.44
				2018/0033255 A1 *	2/2018	Beatty	G07G 1/0009

* cited by examiner

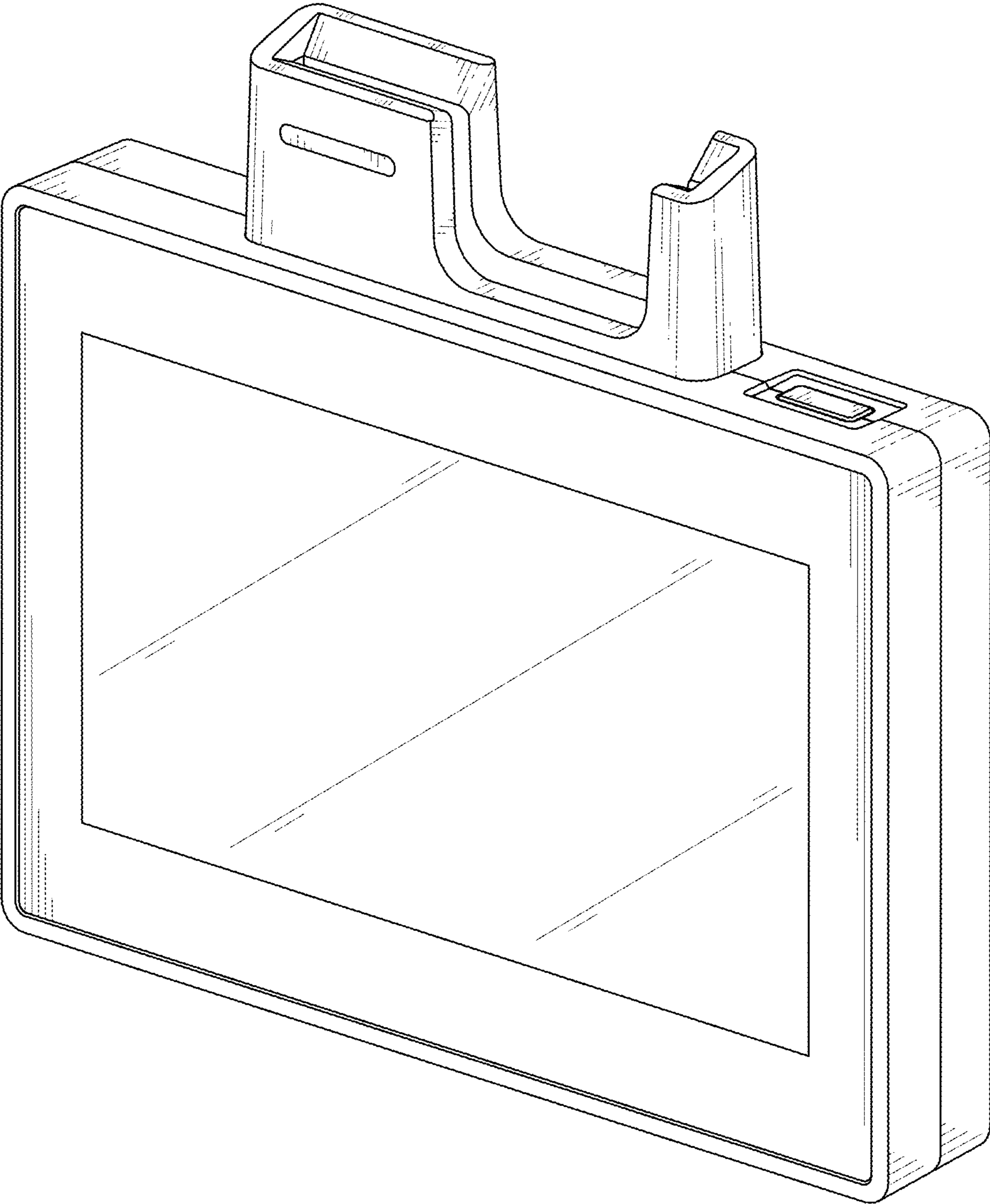


FIG. 1

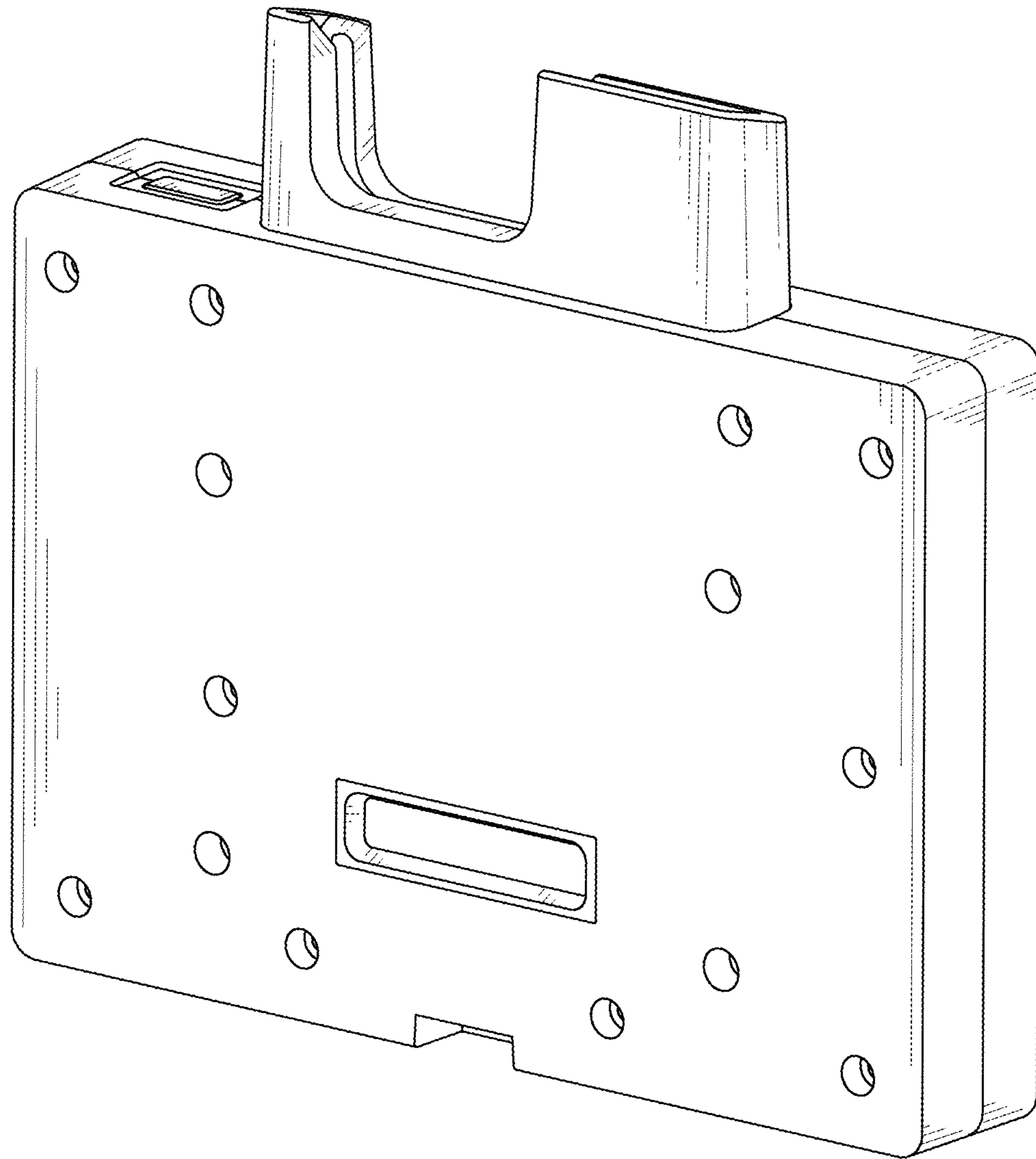


FIG. 2

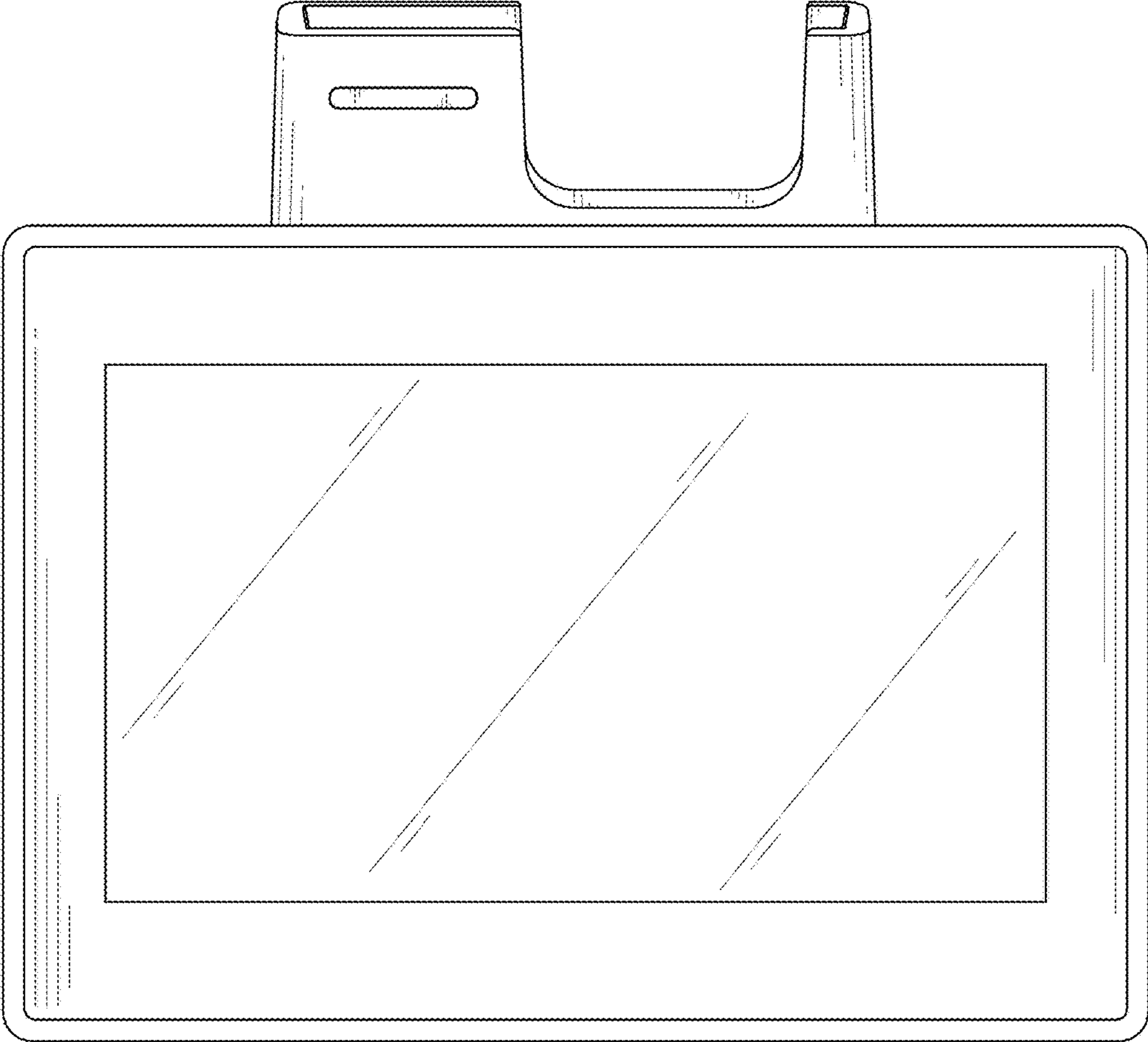


FIG. 3

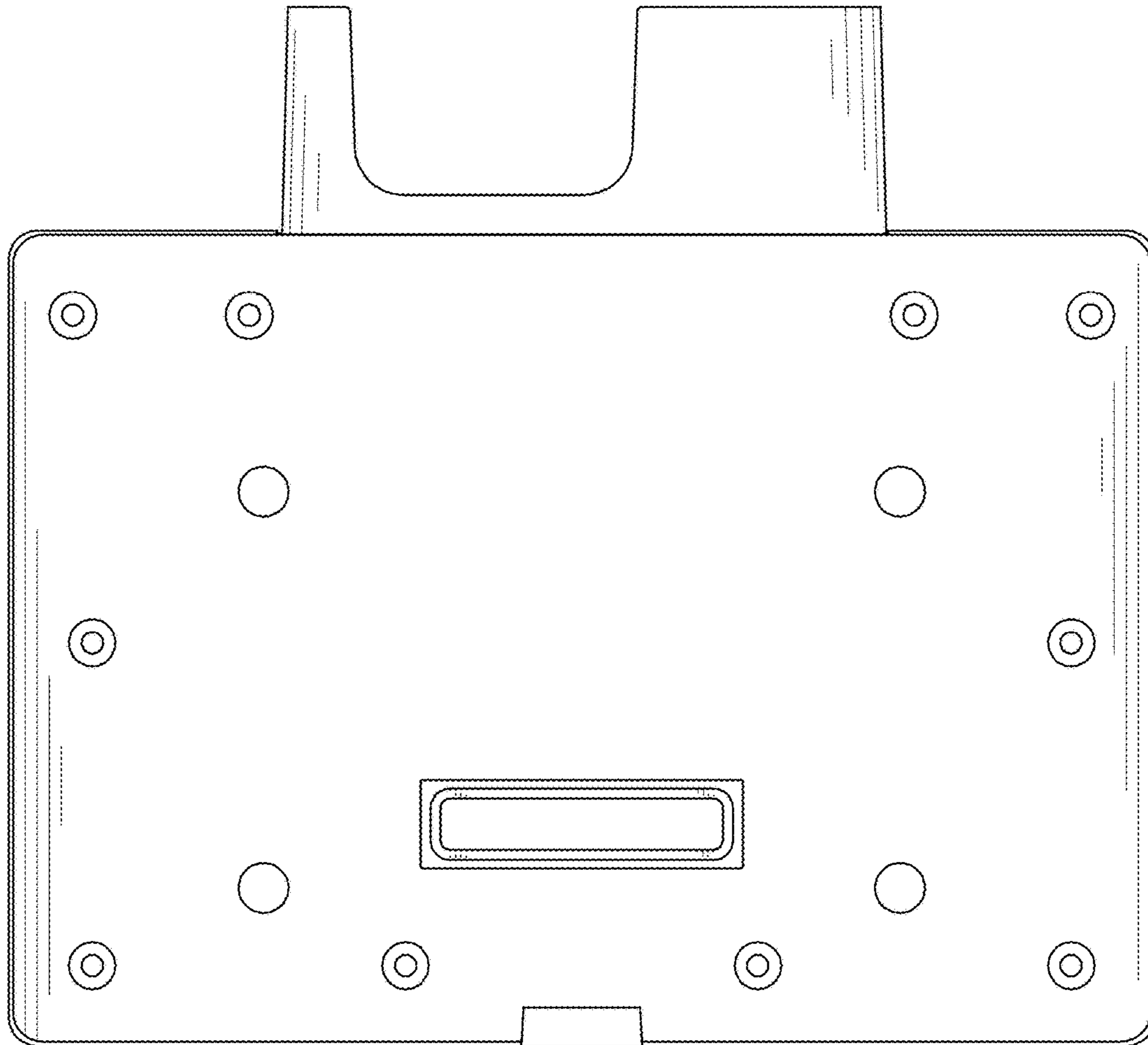


FIG. 4

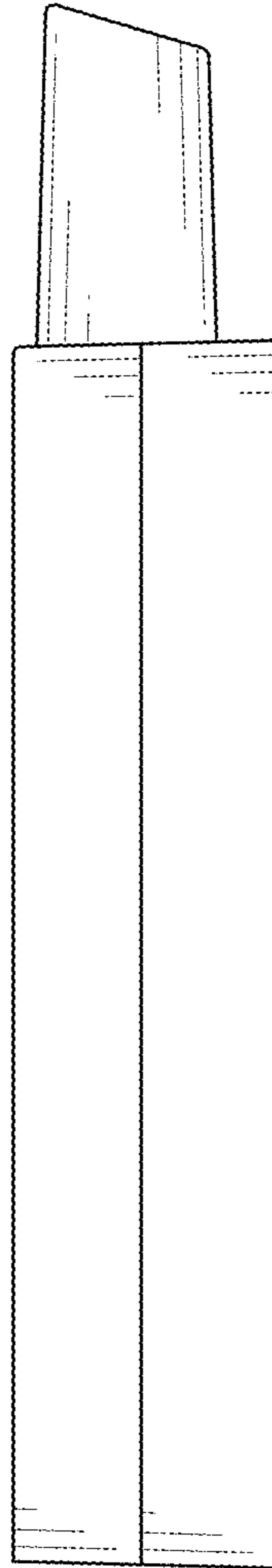


FIG. 5

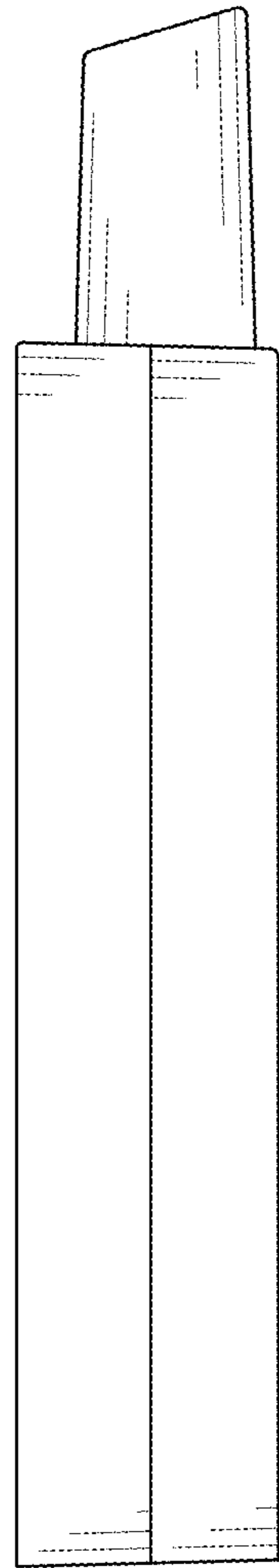


FIG. 6

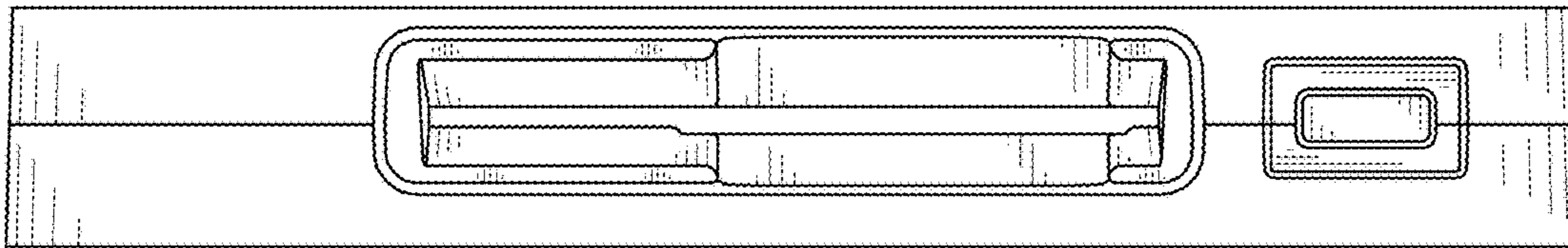


FIG. 7

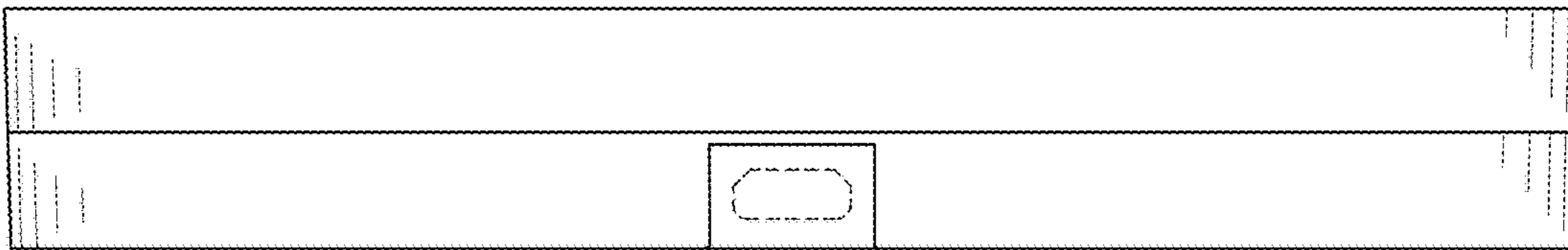


FIG. 8