

US00D829272S

(12) **United States Design Patent**
Hughes

(10) **Patent No.:** **US D829,272 S**

(45) **Date of Patent:** **** Sep. 25, 2018**

(54) **GUITAR**

D594,896 S *	6/2009	Peavey	D17/14
D688,297 S *	8/2013	Graham	D17/14
D737,890 S *	9/2015	Forbes	D17/14
D783,710 S *	4/2017	Kiesel	D17/14

(71) Applicant: **Gary Lee Hughes**, Frazier Park, CA
(US)

FOREIGN PATENT DOCUMENTS

(72) Inventor: **Gary Lee Hughes**, Frazier Park, CA
(US)

FR	2841028 A1 *	12/2003	G10D 1/08
GB	3008209	* 10/2002		

(**) Term: **15 Years**

* cited by examiner

(21) Appl. No.: **29/577,114**

Primary Examiner — Sheryl Lane

(22) Filed: **Sep. 9, 2016**

Assistant Examiner — Samantha N Wood

(51) **LOC (11) Cl.** **17-03**

(74) *Attorney, Agent, or Firm* — CIONCA IP Law P.C.;
Marin Cionca

(52) **U.S. Cl.**

USPC **D17/14**

(57) **CLAIM**

(58) **Field of Classification Search**

USPC D17/14-21, 99; D21/324
CPC G10D 1/00; G10D 1/08; G10D 1/085;
G10D 3/00; G10D 3/06; G10D 3/12;
G10D 3/02; G10H 3/00; G10H 3/18;
G10H 3/181

The ornamental design for a guitar, as shown and described.

DESCRIPTION

See application file for complete search history.

FIG. 1 is a front plan view of a guitar showing the new design;

FIG. 2 is a back plan view thereof;

FIG. 3 is a partially-enlarged bottom left side perspective view of FIG. 1; and,

FIG. 4 is a partially-enlarged bottom right side perspective view of FIG. 1.

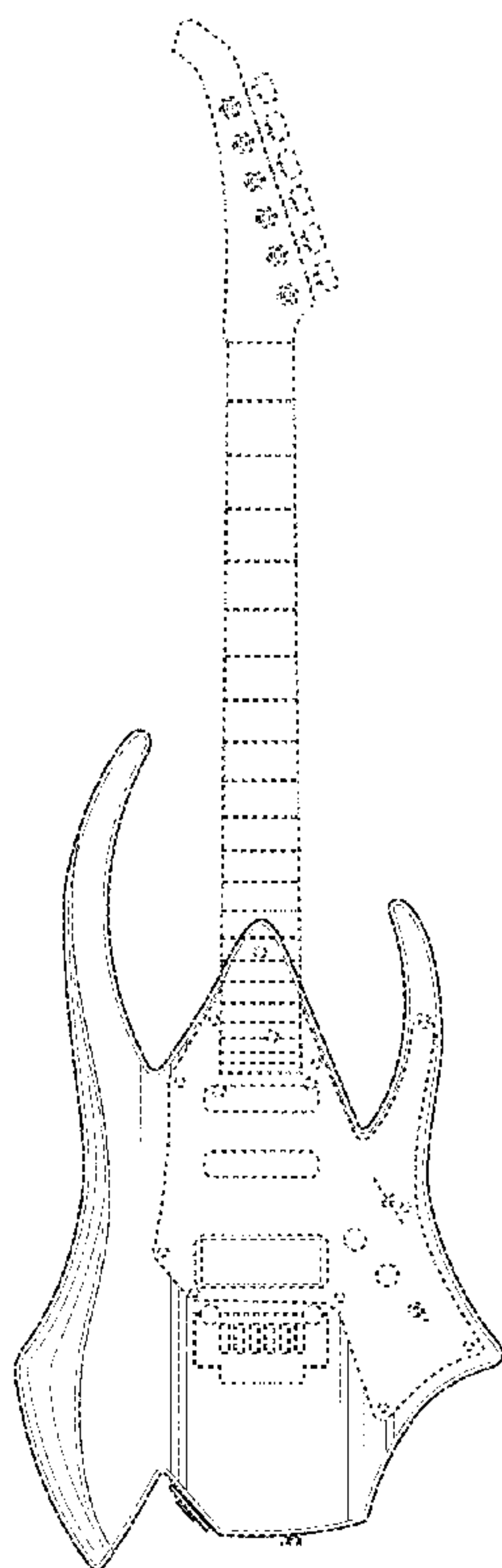
The broken lines shown in the drawings are included for the purpose of illustrating environmental structure and form no part of the claimed design.

(56) **References Cited**

U.S. PATENT DOCUMENTS

D317,320 S *	6/1991	Schumann	D17/20
D477,013 S *	7/2003	Rico	D17/14
D526,000 S *	8/2006	Stewart	D17/14
D539,331 S *	3/2007	Blake	D17/18
D565,093 S *	3/2008	Chan	D17/14

1 Claim, 3 Drawing Sheets



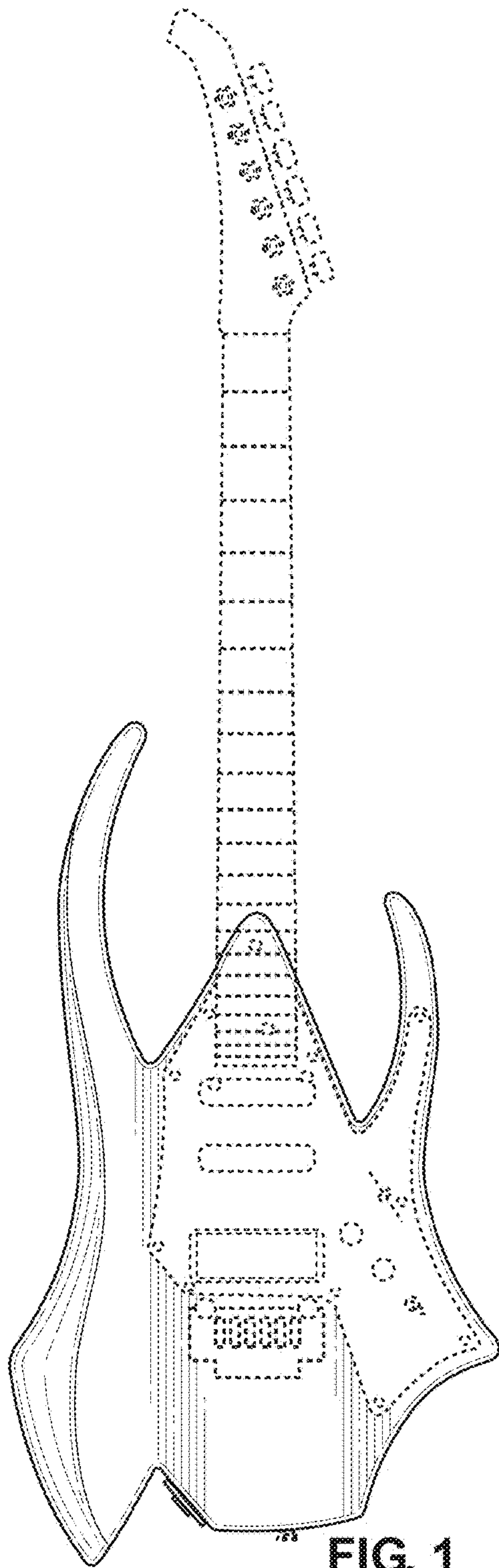


FIG. 1

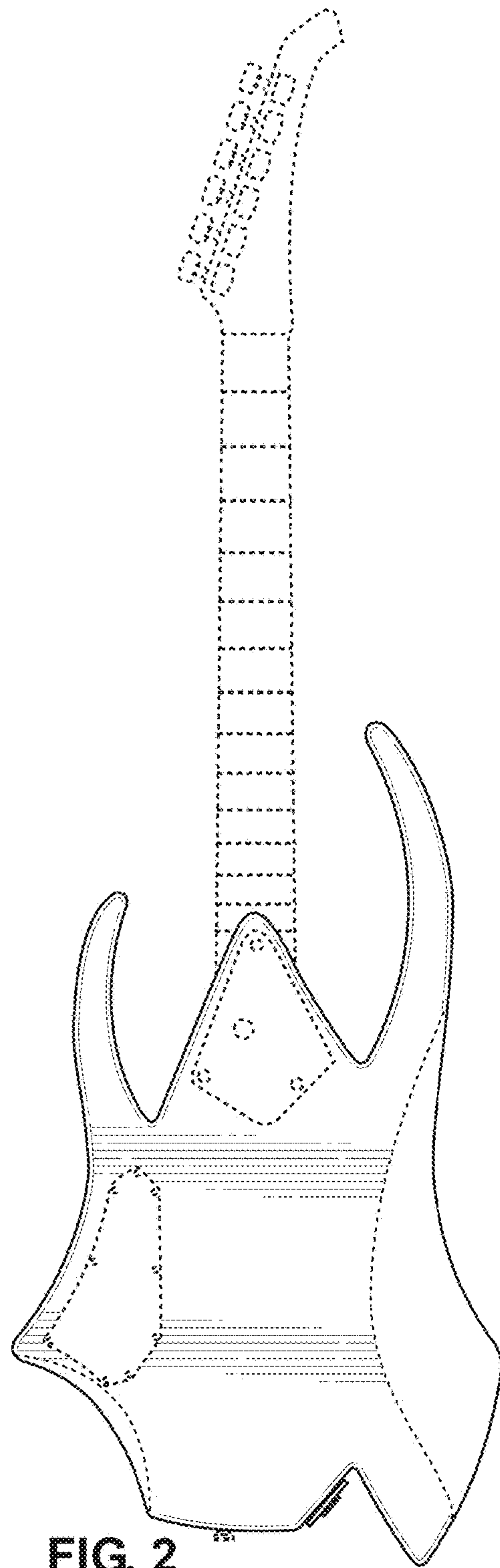


FIG. 2

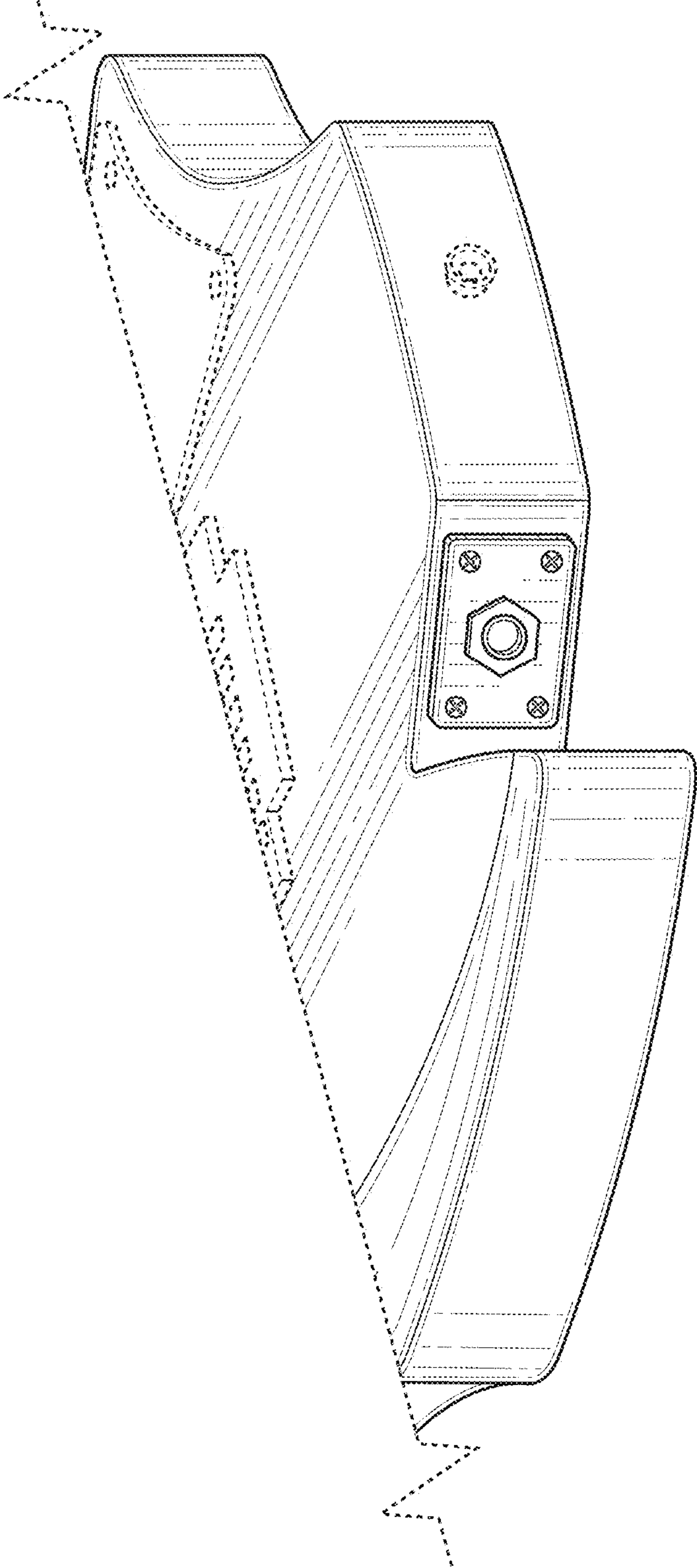


FIG. 3

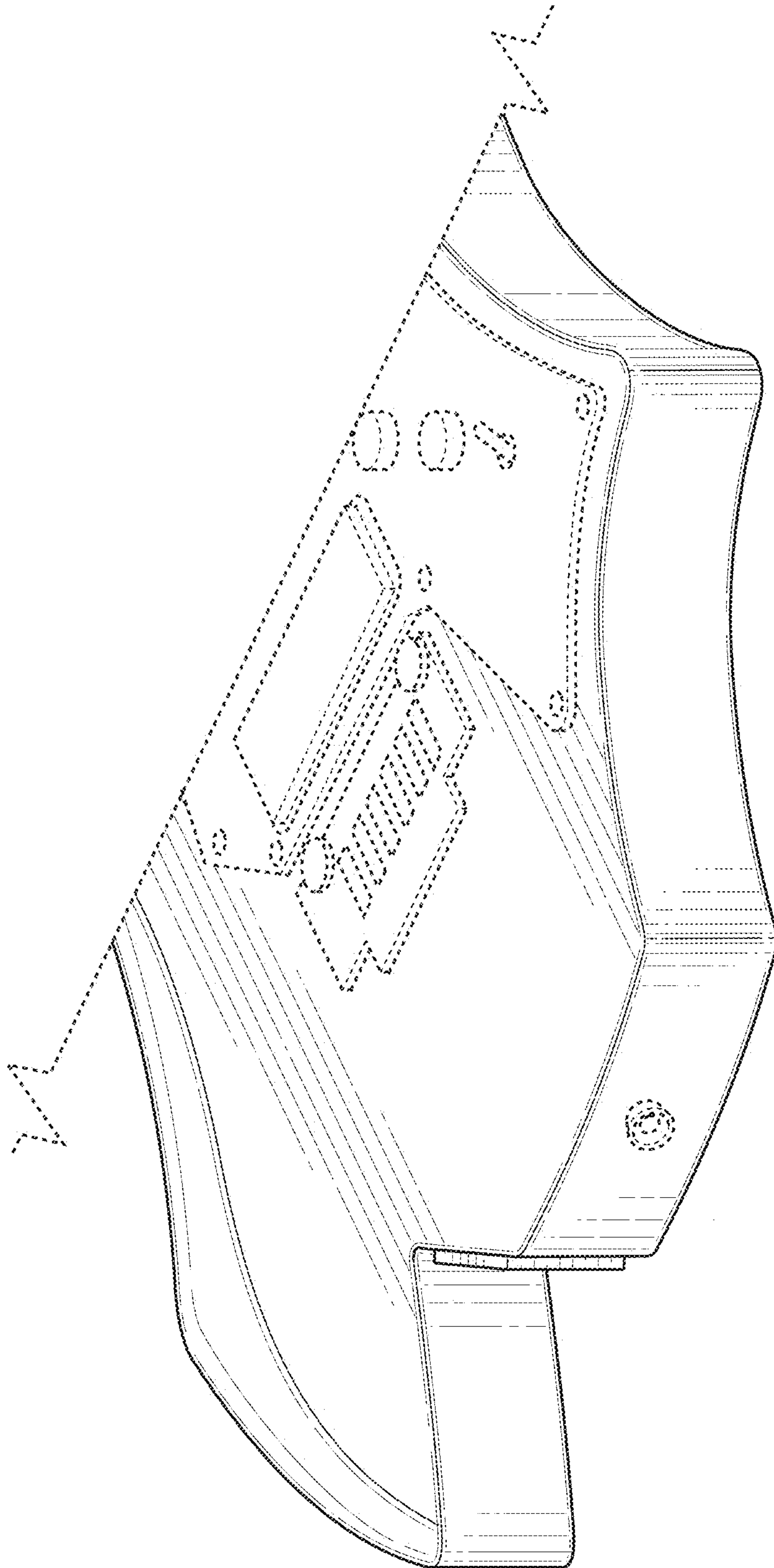


FIG. 4