



US00D829270S

(12) **United States Design Patent** (10) **Patent No.:** **US D829,270 S**
Sato (45) **Date of Patent:** **** Sep. 25, 2018**

(54) **LIGHT SHIELD**
(71) Applicant: **SONY INTERACTIVE ENTERTAINMENT INC.**, Tokyo (JP)
(72) Inventor: **Fumihiko Sato**, Tokyo (JP)
(73) Assignee: **SONY INTERACTIVE ENTERTAINMENT INC.**, Tokyo (JP)

D727,318 S * 4/2015 Garcia Marin D14/372
D738,374 S * 9/2015 Luckey D14/372
D749,583 S * 2/2016 Luckey D14/372
D751,072 S * 3/2016 Lyons D14/372
D755,789 S * 5/2016 Lyons D14/372
D759,654 S * 6/2016 Sullivan D14/372
D764,466 S * 8/2016 Kim D14/372
D765,074 S * 8/2016 Katopis D14/372

(Continued)

(**) Term: **15 Years**

(21) Appl. No.: **29/582,359**

(22) Filed: **Oct. 27, 2016**

(30) **Foreign Application Priority Data**

Apr. 27, 2016 (JP) 2016-009336

(51) **LOC (11) Cl.** **16-06**

(52) **U.S. Cl.**
USPC **D16/330**

(58) **Field of Classification Search**
USPC D16/101, 300-342, 900; D29/109-110;
D21/483, 659-661; D14/372; 351/41,
351/44, 45-48, 51-52, 62, 158, 92,
351/103-123, 140-153, 63, 59; 2/13, 15,
2/426-432, 447-449, 441, 434-437;
D15/122; D18/50; D22/115, 116
CPC G02C 2200/08; G02C 1/06; G02C 5/14;
G02C 11/02; G02C 11/04; G02C 5/16;
G02C 2200/22; G02C 5/146; G02C
5/2254; G02C 5/008; G01C 5/16; A61M
2021/0044; A63B 33/002

See application file for complete search history.

(56) **References Cited**

U.S. PATENT DOCUMENTS

D358,150 S * 5/1995 Lewis, Jr. D14/205
D374,025 S * 9/1996 Canavan D16/326
D378,847 S * 4/1997 Ey D22/112
D701,206 S * 3/2014 Luckey D14/372
D719,953 S * 12/2014 Nokuo D14/372

OTHER PUBLICATIONS

Hyperkin Light Shield, announced Aug. 19, 2017, [online], [site visited Feb. 8, 2018]. Available from Internet, <URL: https://www.amazon.com/Hyperkin-Replacement-Light-Shield-playstation-4/dp/B07645VNXW/ref=sr_1_1?s=videogames&ie=UTF8&gid=1516123074&sr=1-1&keywords=Replacement+Light+Shield+for+VR> (Year: 2017).*

Primary Examiner — Eric L Goodman

Assistant Examiner — Sanjeev Paul

(74) *Attorney, Agent, or Firm* — Young & Thompson

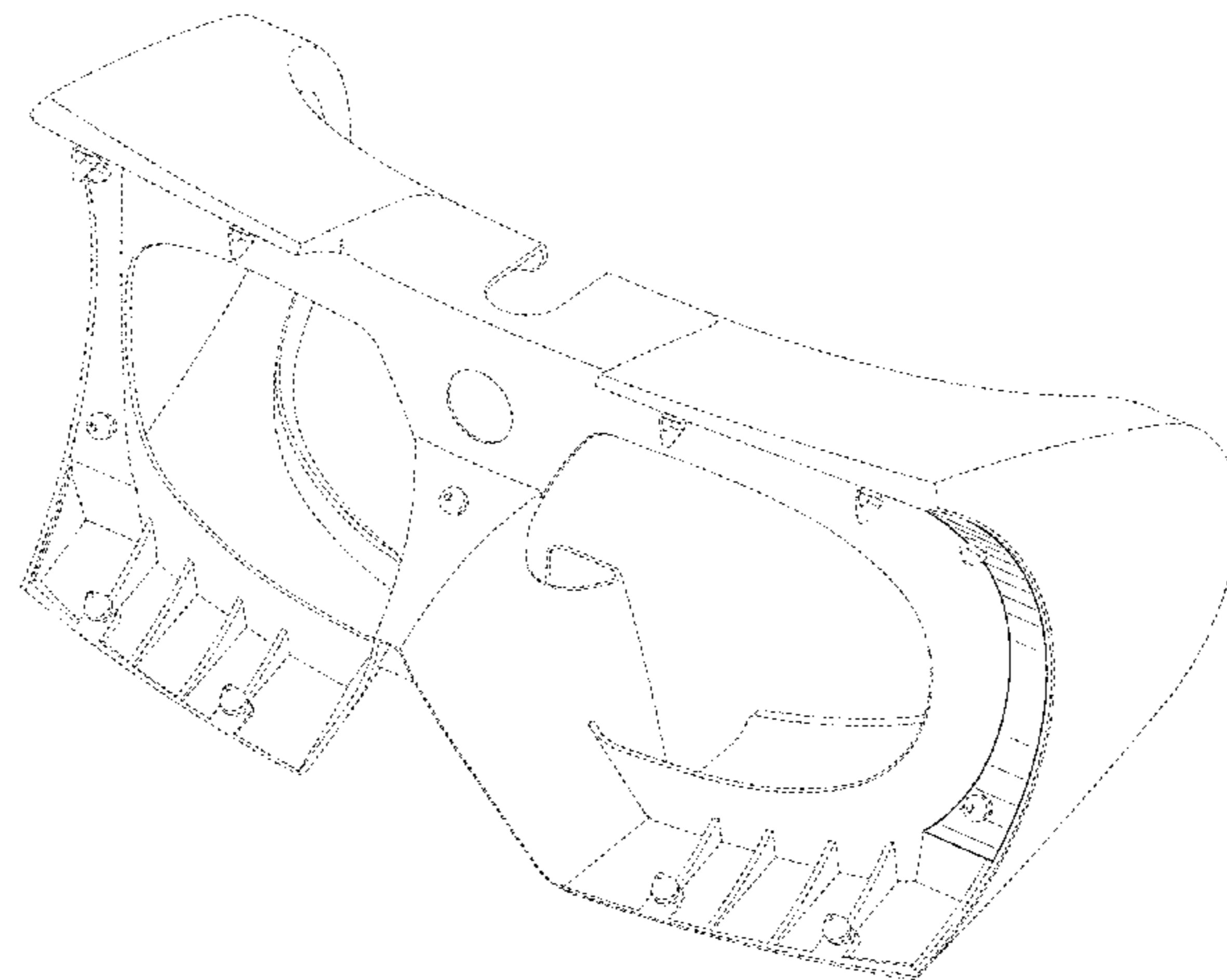
(57) **CLAIM**

The ornamental design for the light shield, as shown and described.

DESCRIPTION

FIG. 1 is a perspective view of rear, left side of the light shield showing my new design;
FIG. 2 is a perspective view of rear, right side of the light shield showing my new design;
FIG. 3 is a front view thereof;
FIG. 4 is a rear view thereof;
FIG. 5 is a left side view thereof;
FIG. 6 is a right side view thereof;
FIG. 7 is a top view thereof;
FIG. 8 is a bottom view thereof; and,
FIG. 9 is a perspective view showing use state that the light shield is equipped with the display device thereof.
The portions of the article shown in broken lines form no part of the claimed design.

1 Claim, 8 Drawing Sheets



(56)

References Cited

U.S. PATENT DOCUMENTS

D773,460 S *	12/2016	Yang	D14/372
D791,126 S *	7/2017	Sullivan	D14/372
D791,129 S *	7/2017	Sullivan	D14/372
D792,399 S *	7/2017	Thomas	D14/372
D792,400 S *	7/2017	Osterhout	D14/372
9,703,103 B2 *	7/2017	Araki	G02B 27/028
D798,863 S *	10/2017	Li	D14/372
D799,482 S *	10/2017	Thomas	D14/372
D800,116 S *	10/2017	Yee	D14/372
D800,117 S *	10/2017	Yee	D14/372
D801,969 S *	11/2017	Yee	D14/372
D801,970 S *	11/2017	Sullivan	D14/372
D807,354 S *	1/2018	Yee	D14/372

* cited by examiner

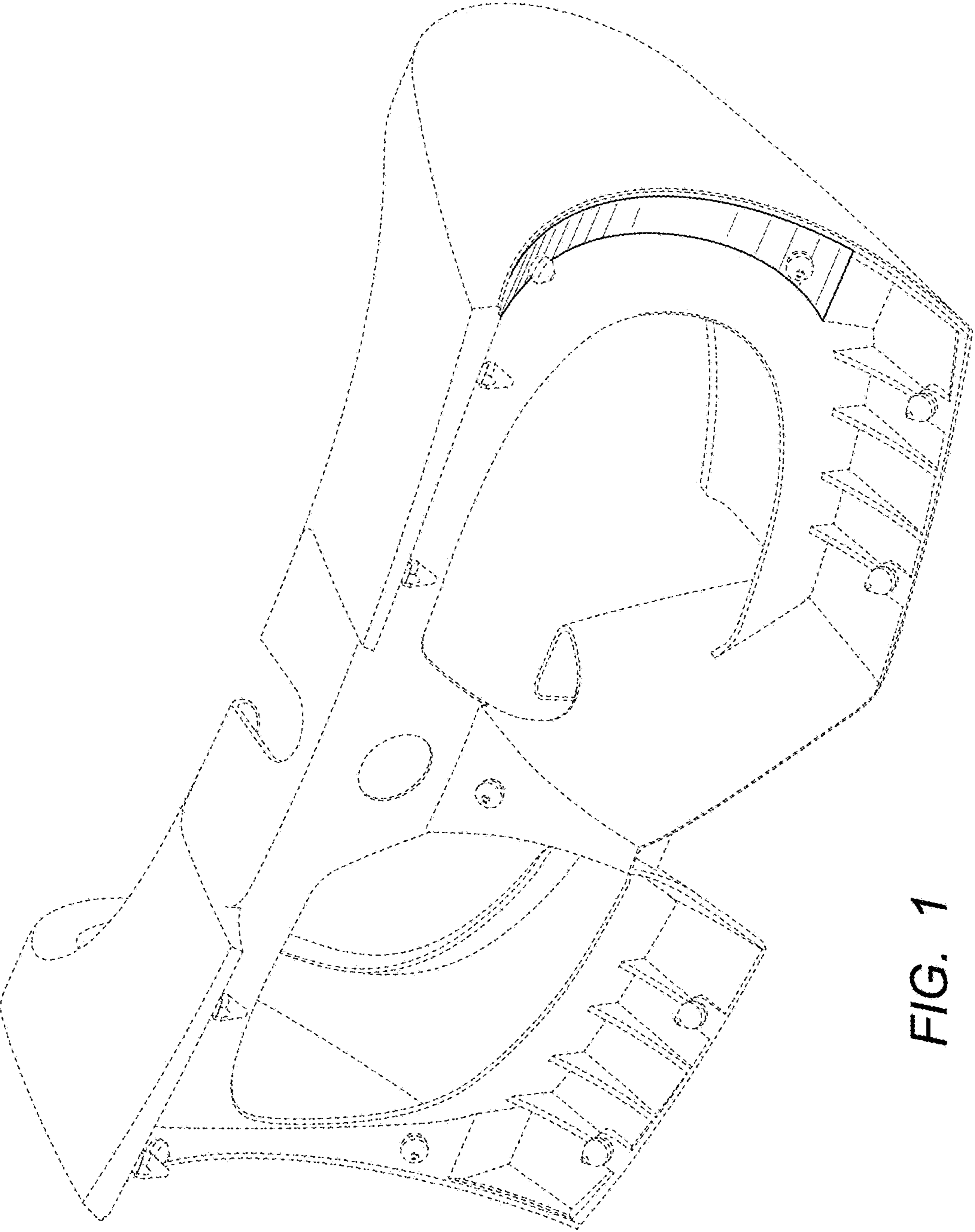


FIG. 1

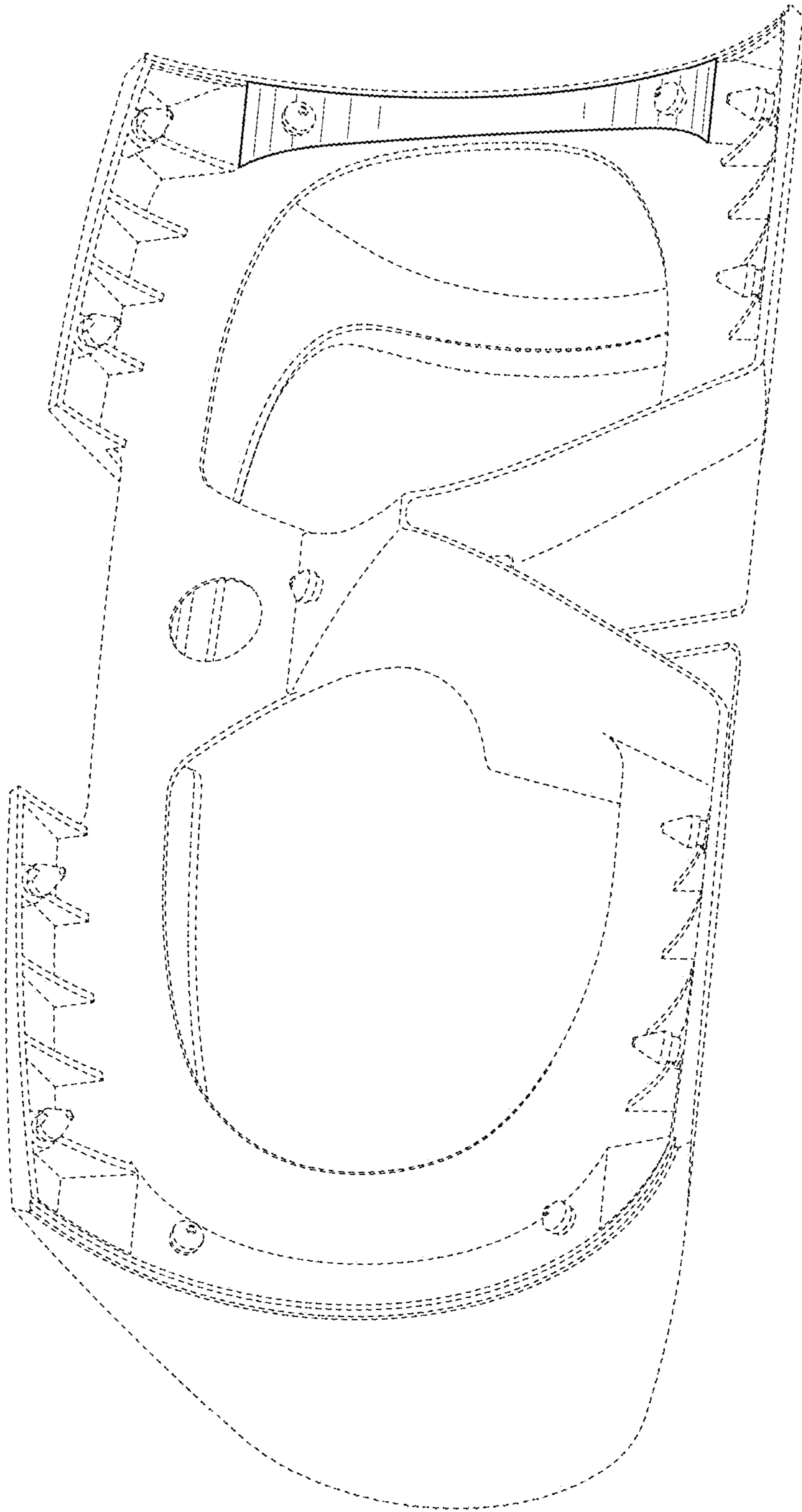


FIG. 2

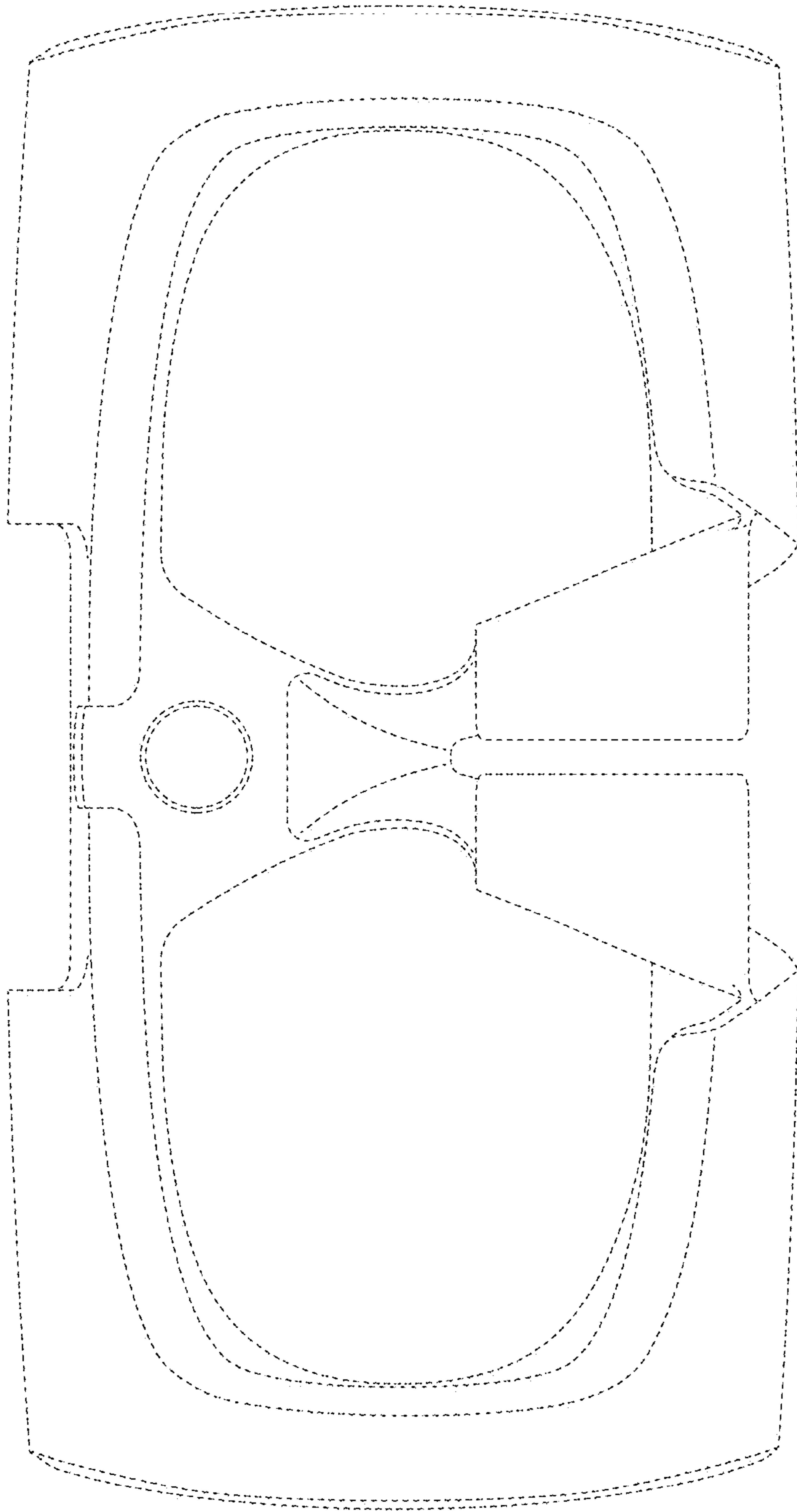


FIG. 3

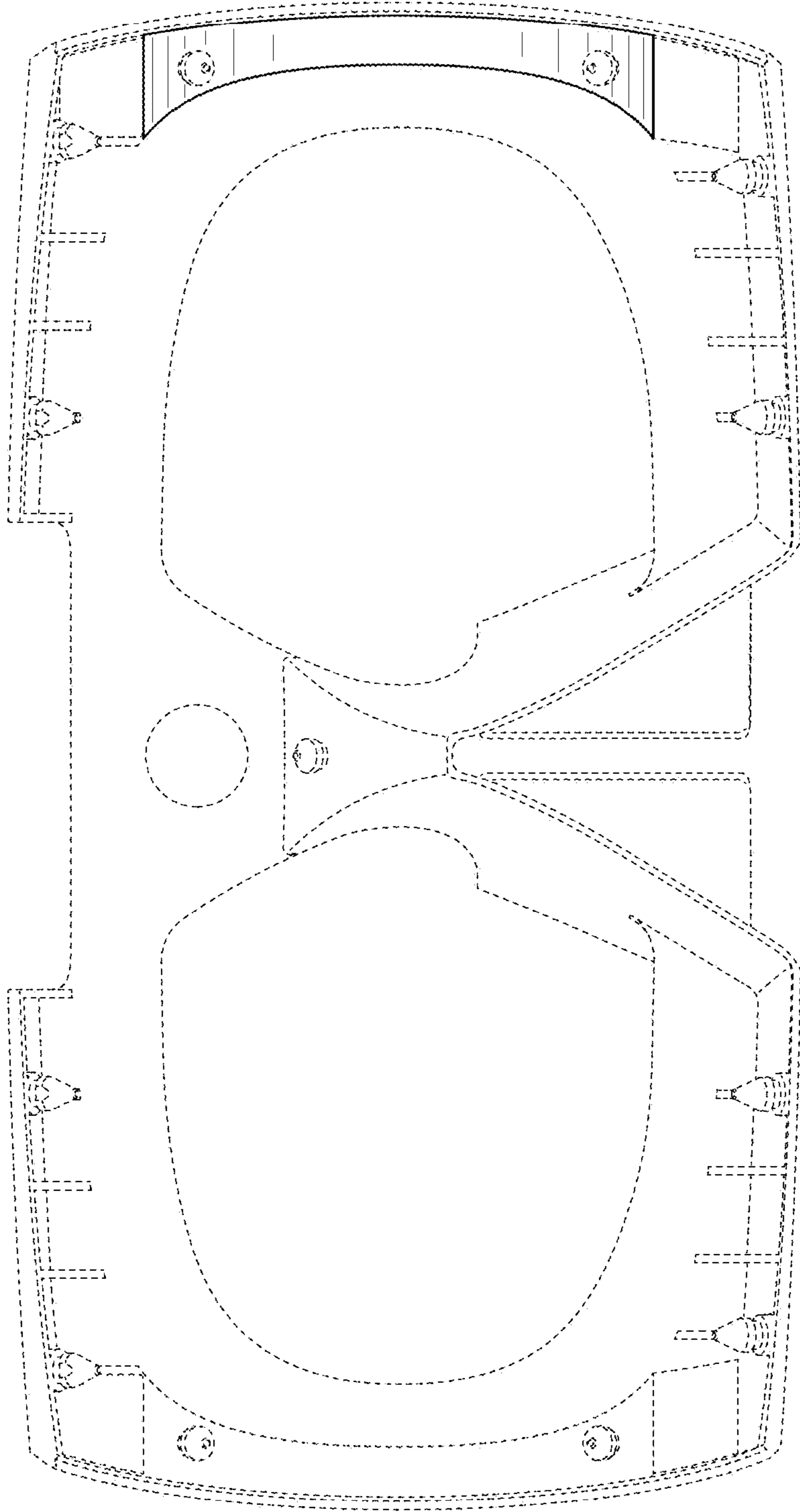


FIG. 4

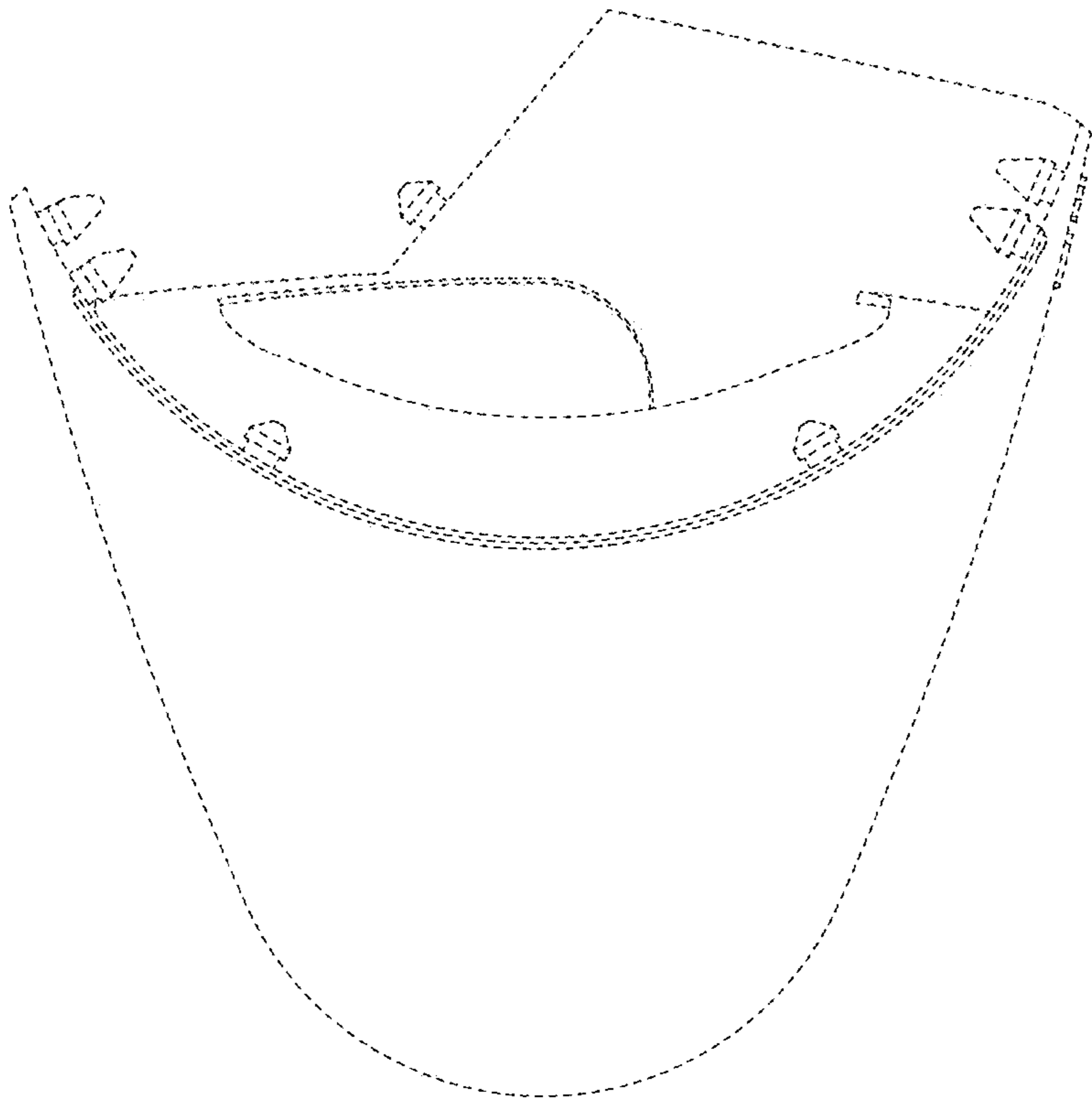


FIG. 6

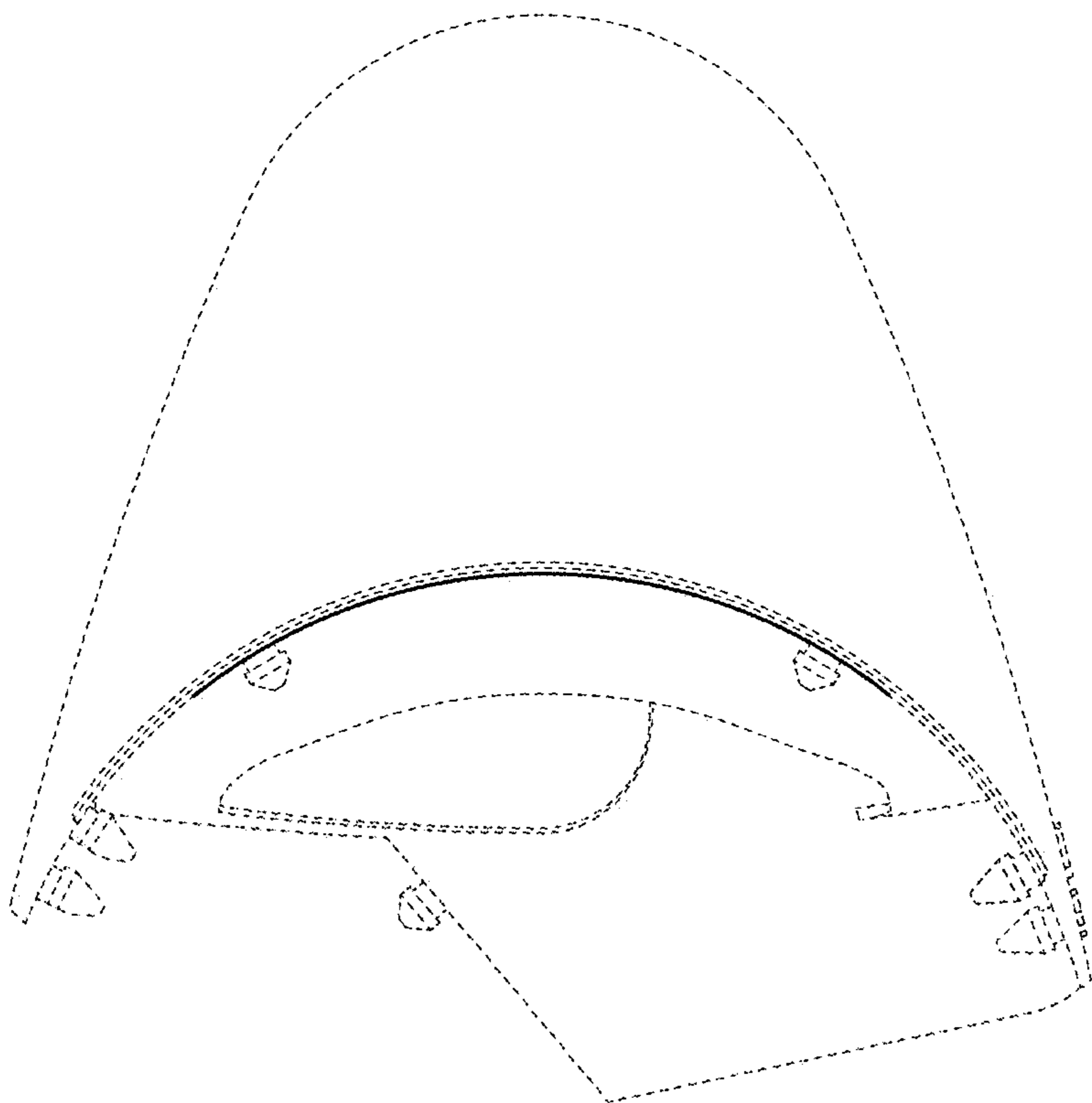


FIG. 5

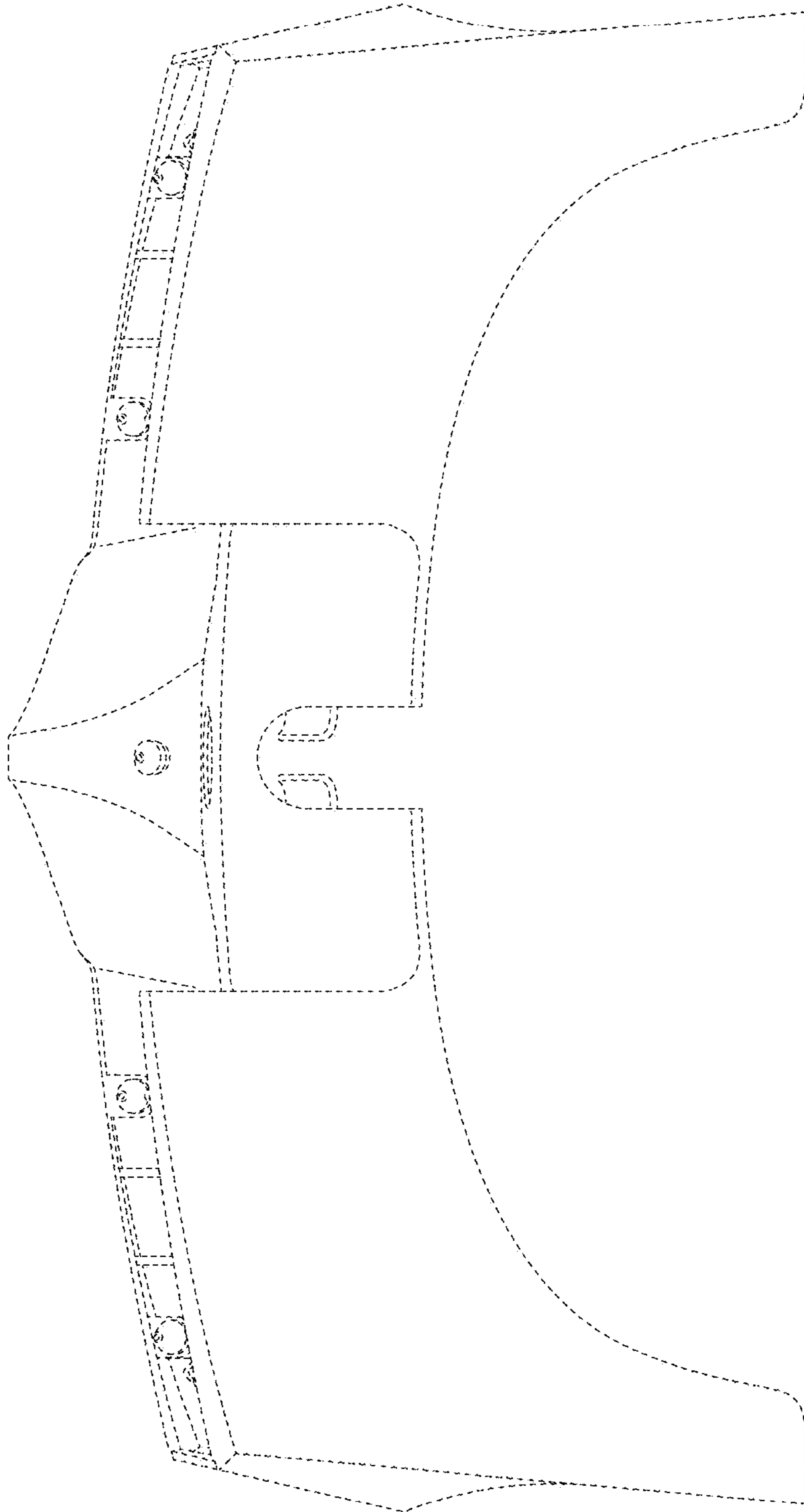


FIG. 7

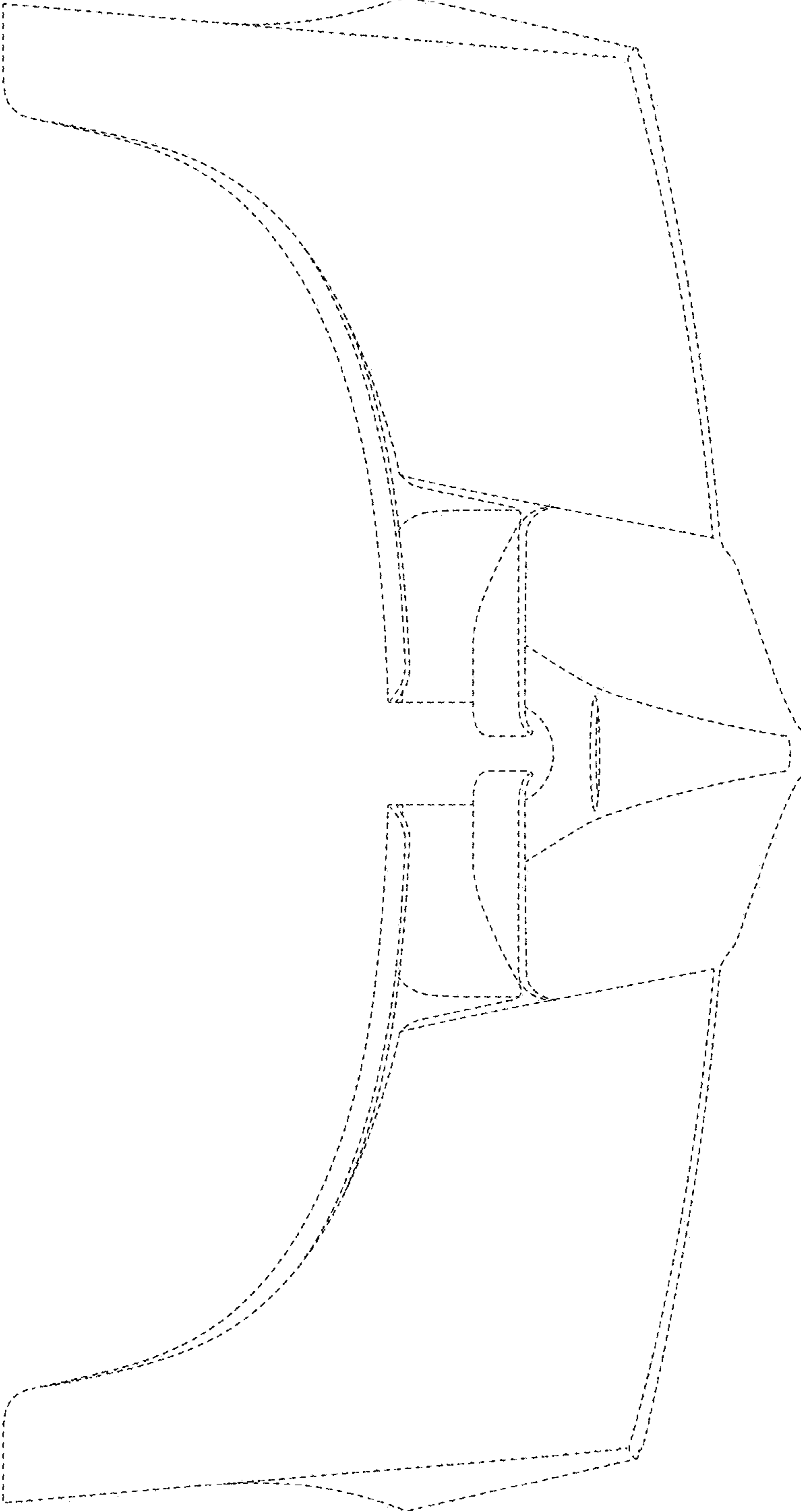


FIG. 8

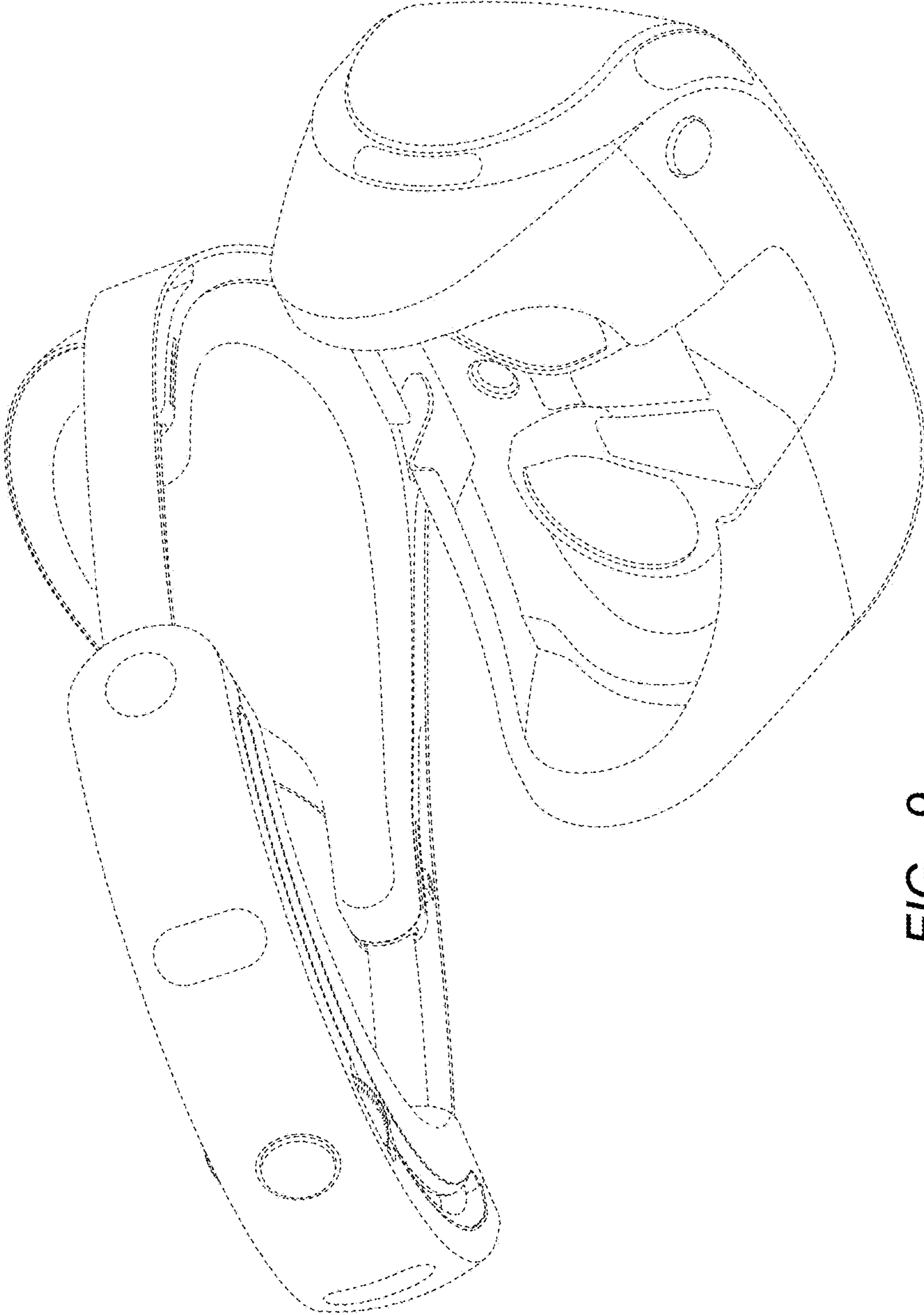


FIG. 9