



US00D829266S

(12) **United States Design Patent** (10) **Patent No.:** **US D829,266 S**
Zeng (45) **Date of Patent:** **** Sep. 25, 2018**

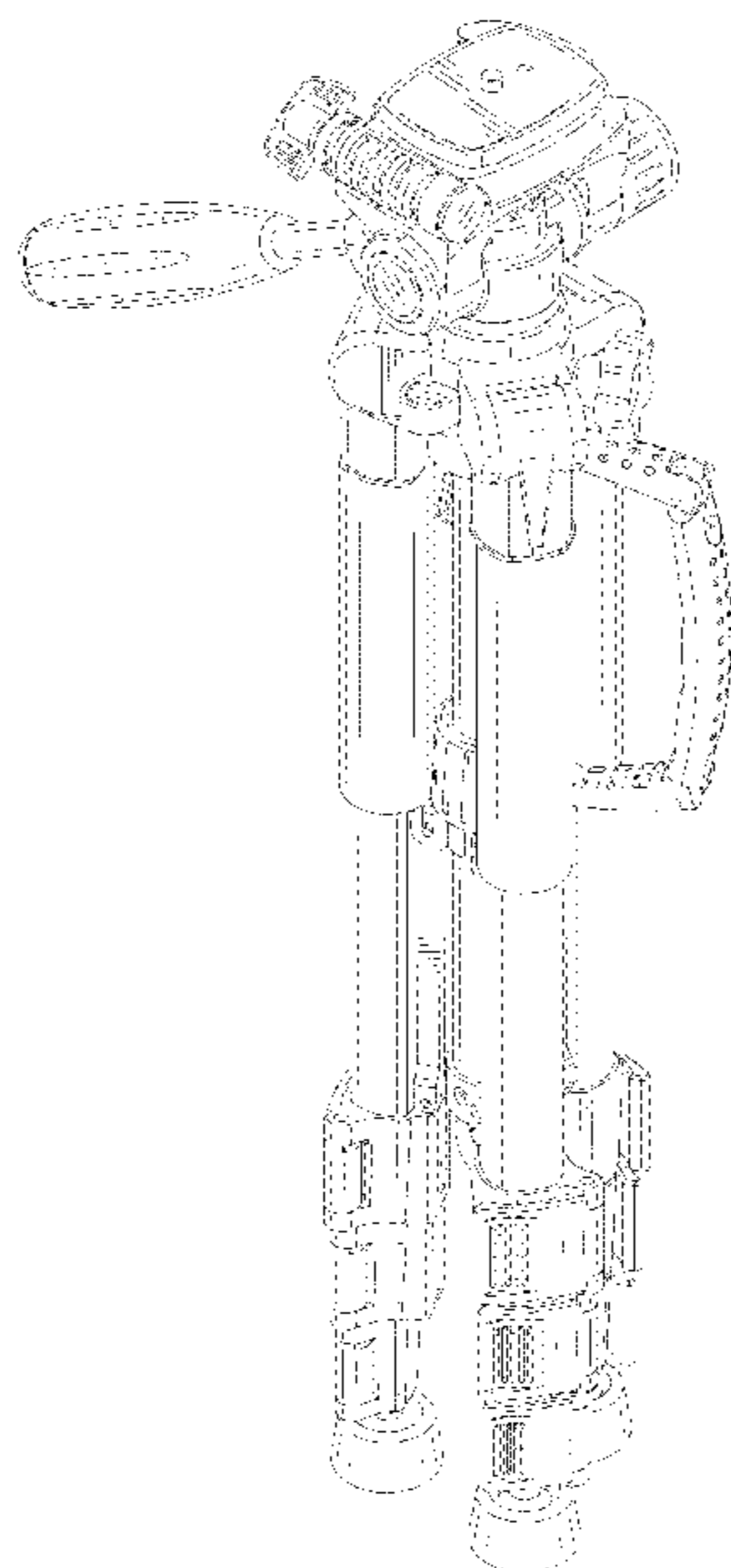
(54) **PHOTOGRAPHY TRIPOD** 2007/0090237 A1* 4/2007 Hsu F16M 11/14
248/178.1
(71) Applicant: **Zhongshan Cambofoto Photographic** 2008/0224000 A1* 9/2008 Yang F16M 11/16
Equipment Co., Ltd., Zhongshan (CN) 248/188.5
2011/0260016 A1* 10/2011 Johnson F16M 11/16
(72) Inventor: **Xianhui Zeng, Ganzhou (CN)** 248/168
2015/0076296 A1* 3/2015 Yang F16M 11/041
248/163.2
(**) Term: **15 Years**

(21) Appl. No.: **29/612,958**
(22) Filed: **Aug. 4, 2017**
(51) **LOC (11) Cl.** **16-05**
(52) **U.S. Cl.**
USPC **D16/244**
(58) **Field of Classification Search**
USPC D16/219, 237-250; D14/224, 229, 238,
D14/251, 253, 447, 451, 457; D8/354,
D8/355, 363, 373, 382, 383, 394, 395,
D8/396
CPC A45F 5/00; F16M 11/06-11/10; G02B
7/00-7/002; G03B 17/56; G03B 17/561;
G03B 17/563; G03B 17/565; G03B
17/566; G03B 17/568; H04N
5/2253-5/2254
See application file for complete search history.

(56) **References Cited**
U.S. PATENT DOCUMENTS
D222,596 S * 11/1971 Leubner D16/244
D258,661 S * 3/1981 Shiraishi D16/244
D262,635 S * 1/1982 Iwasaki D16/245
D263,147 S * 2/1982 Iwasaki D16/244
D264,728 S * 6/1982 Iwasaki D16/244
D269,880 S * 7/1983 Iwasaki D16/244
D326,105 S * 5/1992 Doi D16/244
D344,969 S * 3/1994 Nakatani D16/244
D349,915 S * 8/1994 Hanke D16/244
D807,421 S * 1/2018 Yin D16/244

OTHER PUBLICATIONS
China Professional aluminium tripod from Zhongshan Manufac-
turer. [online] Published Mar. 20, 2017. Retrieved May 14, 2018
from URL: <http://cambofoto.manufacturer.globalsources.com/si/6008845359192/pdtl/Professional-camera/1157684642/Professional-aluminium-tripod.htm>.
AmazonBasics 60-Inch Lightweight Tripod with Bag. [online]
Published Dec. 23, 2011. Retrieved May 14, 2018 from URL:
<https://www.amazon.com/AmazonBasics-60-Inch-Lightweight-Tripod-Bag/dp/B005KP473Q>.
* cited by examiner
Primary Examiner — Vy N Koenig
(74) *Attorney, Agent, or Firm* — Wayne & King LLC
(57) **CLAIM**
The ornamental design for a photography tripod, as shown
and described.

DESCRIPTION
FIG. 1 is a perspective view of a photography tripod
showing my new design.
FIG. 2 is another perspective view thereof.
FIG. 3 is a front view thereof.
FIG. 4 is a rear view thereof.
FIG. 5 is a left side view thereof.
FIG. 6 is a right side view thereof.
FIG. 7 is a top view thereof; and,
FIG. 8 is a bottom view thereof.
1 Claim, 8 Drawing Sheets



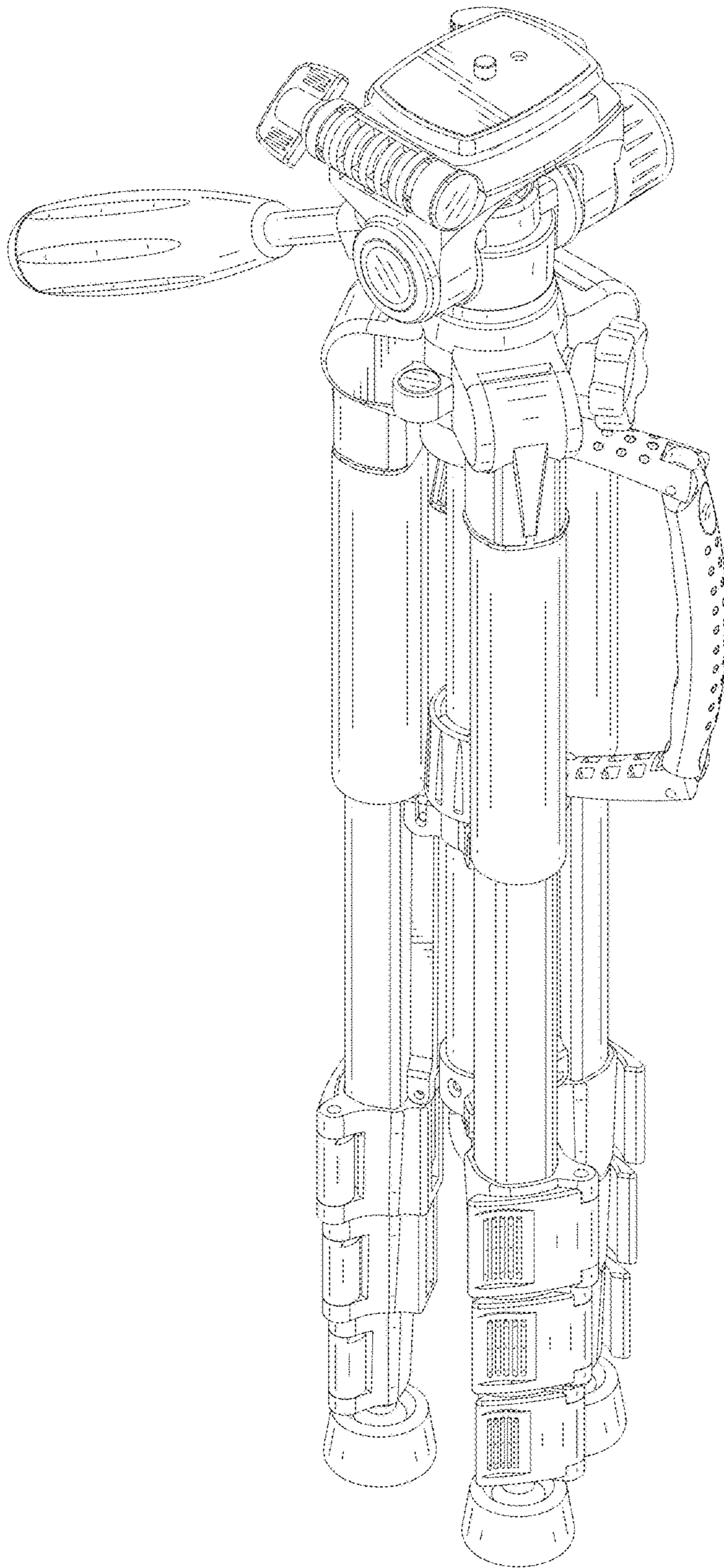


FIG.1

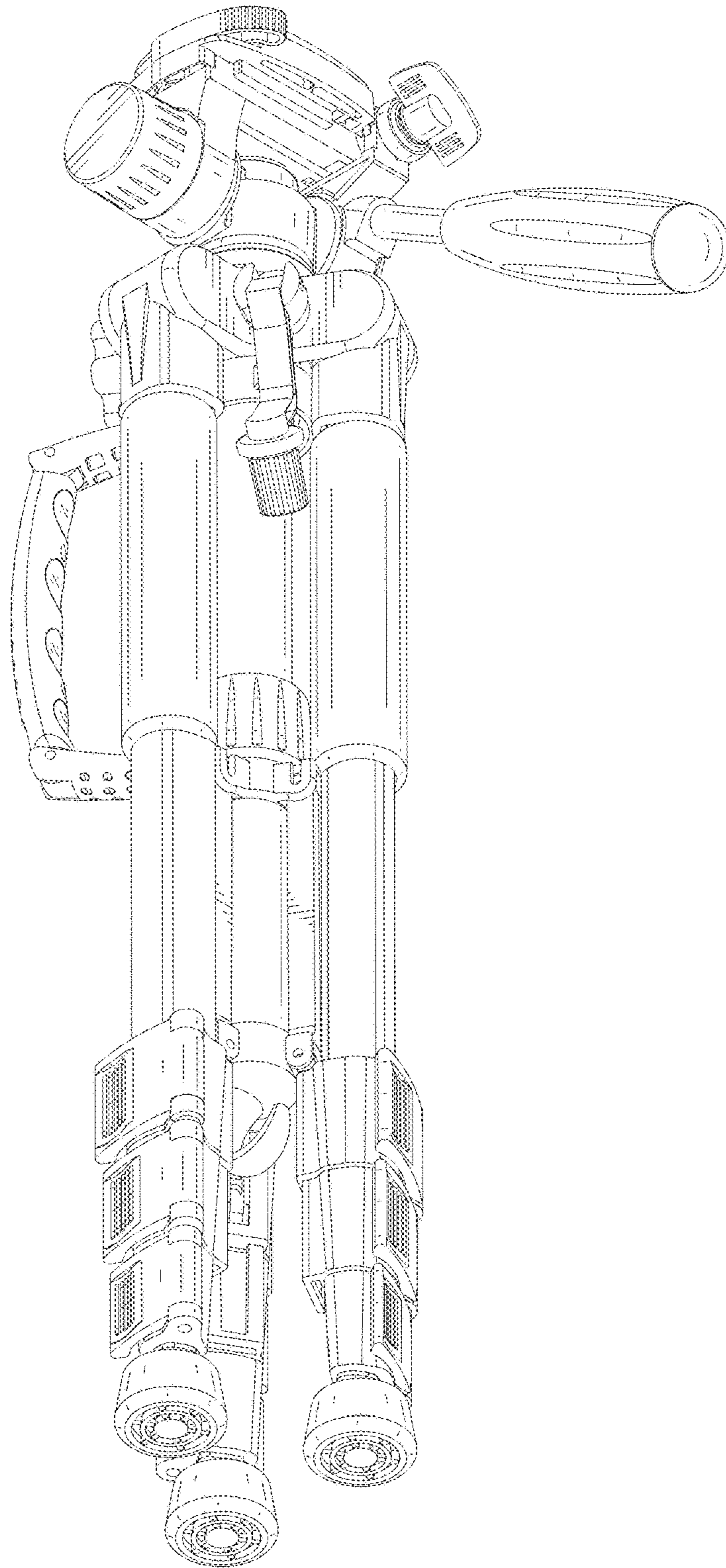


FIG.2

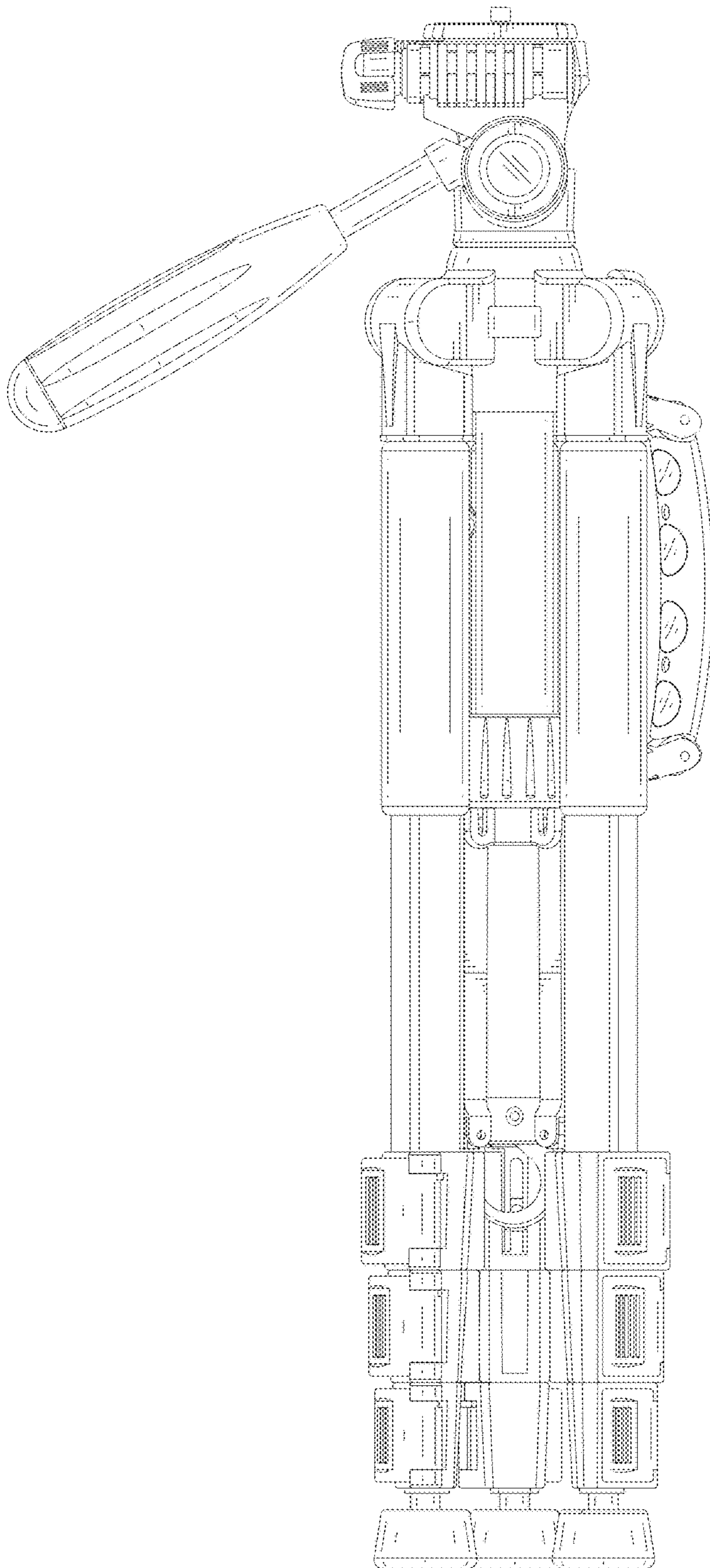


FIG.3

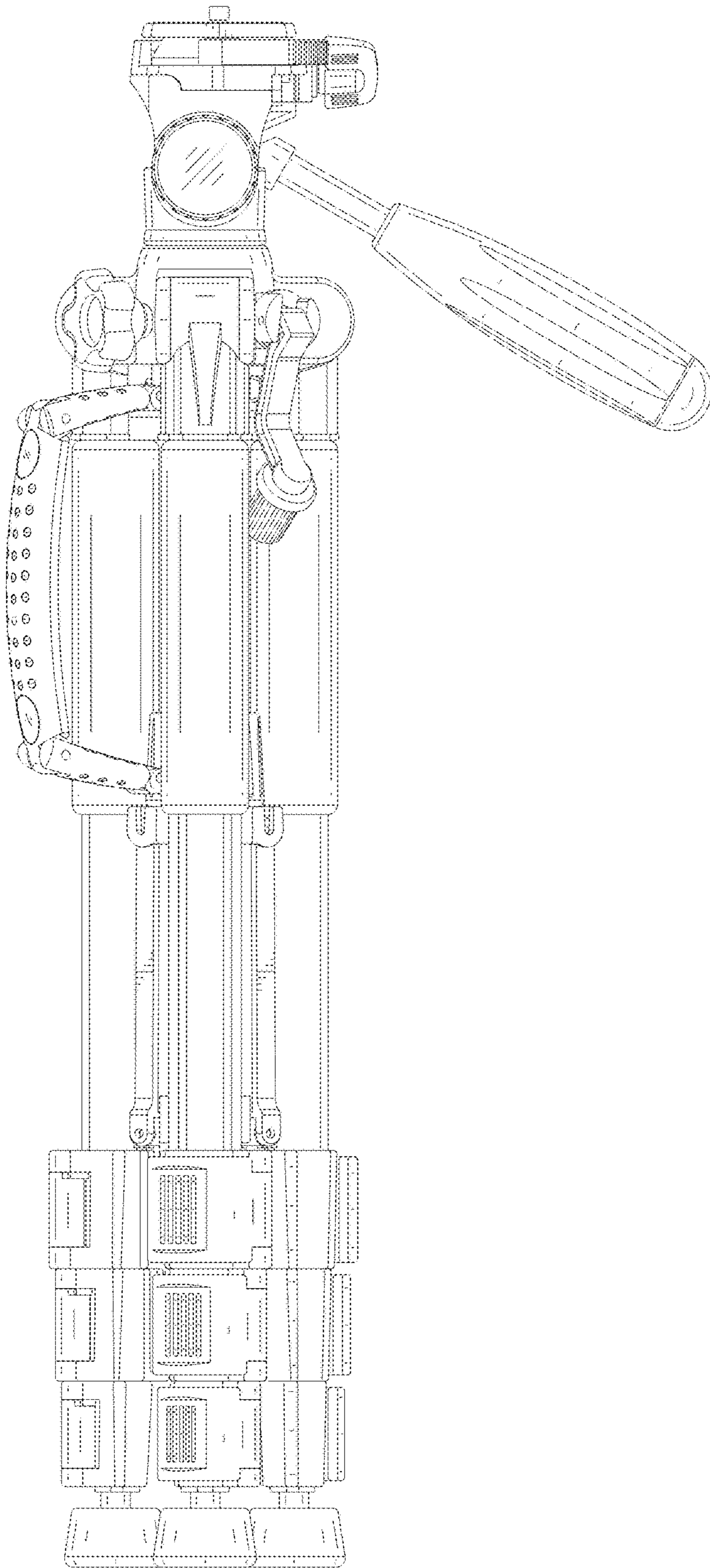


FIG.4

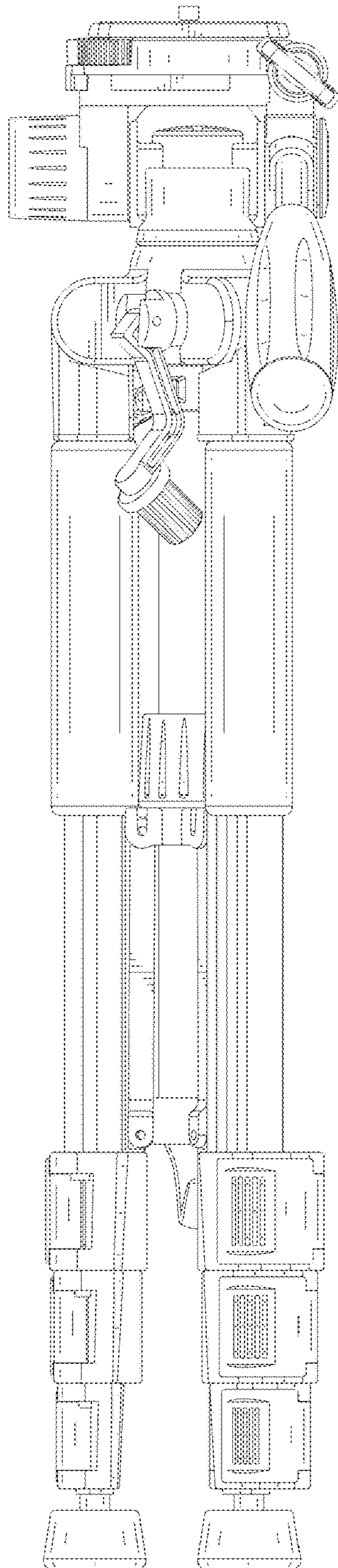


FIG.5

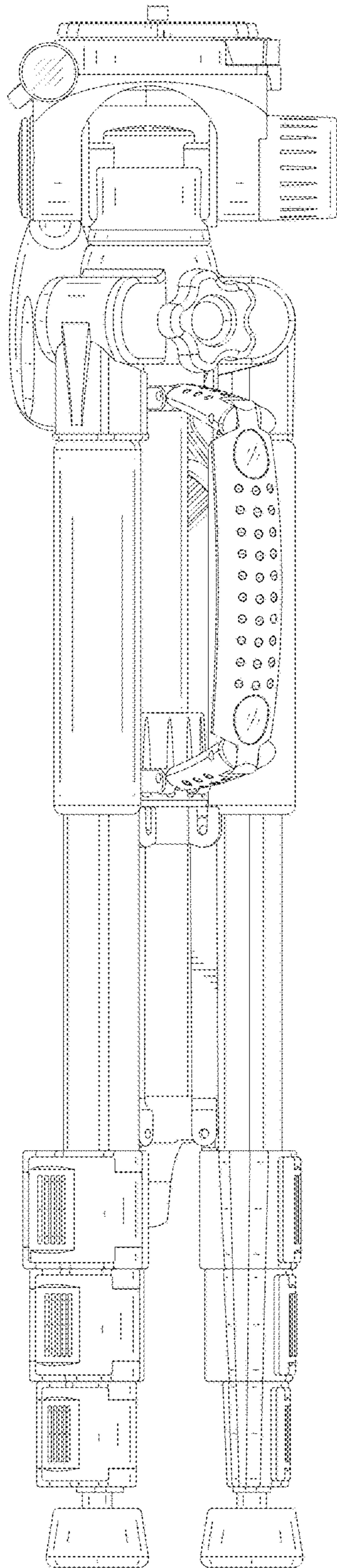


FIG. 6

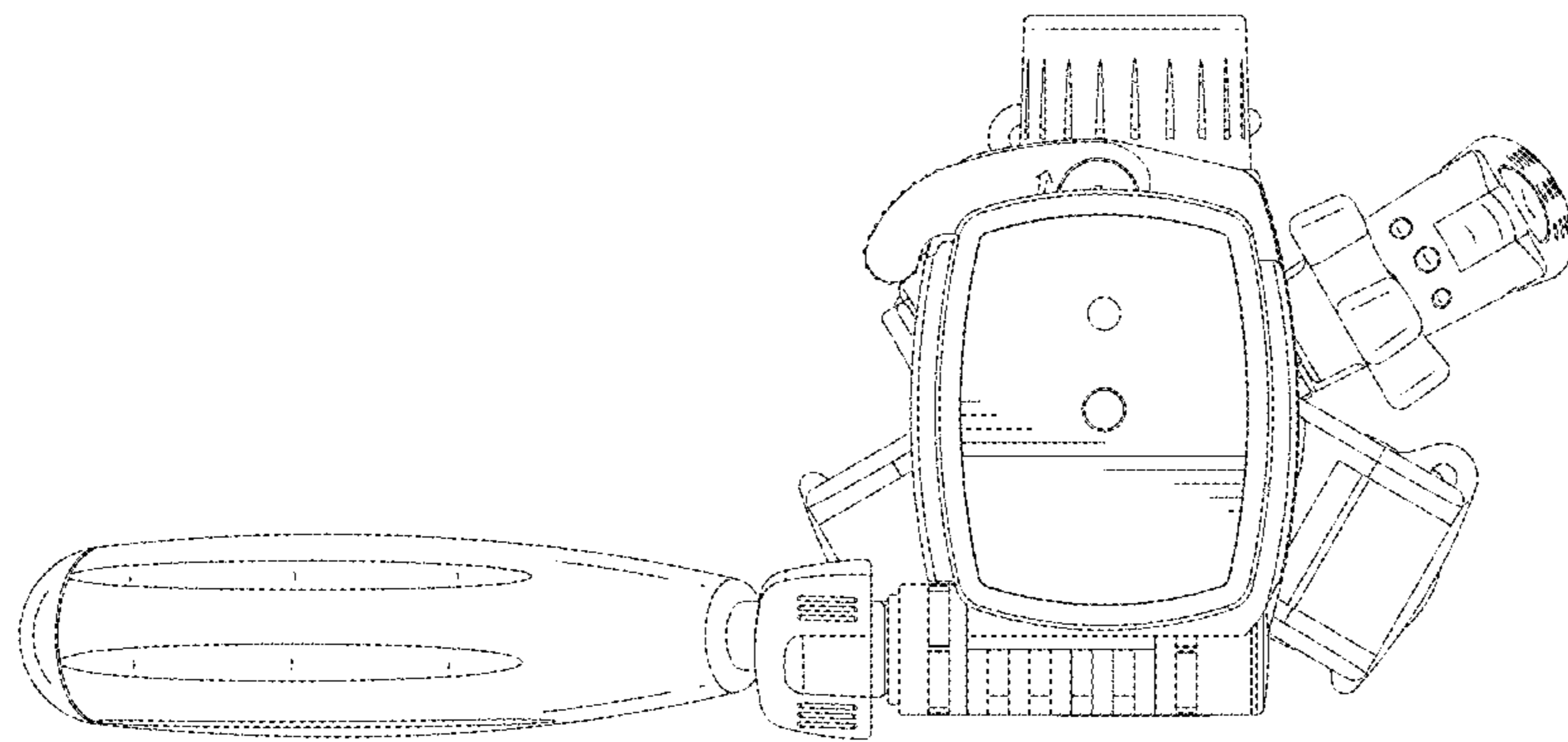


FIG. 7

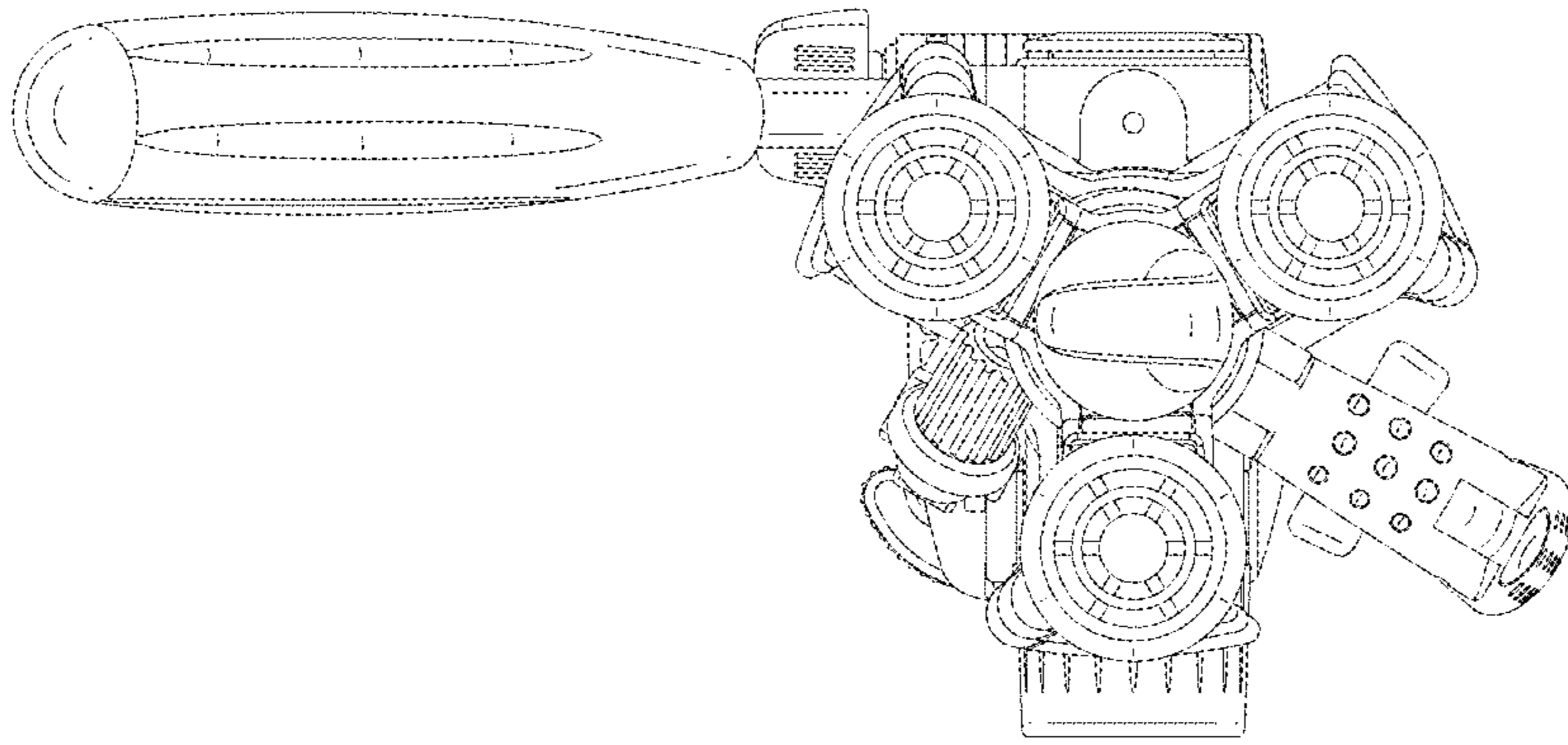


FIG.8