



US00D829263S

(12) **United States Design Patent** (10) **Patent No.:** **US D829,263 S**  
**Andersen** (45) **Date of Patent:** **\*\* Sep. 25, 2018**

(54) **CAMERA HOLDER**  
(71) Applicant: **Oculus VR, LLC**, Menlo Park, CA (US)  
(72) Inventor: **Blake Francis Andersen**, Snoqualmie, WA (US)  
(73) Assignee: **Oculus VR, LLC**, Menlo Park, CA (US)  
(\*\*) Term: **15 Years**  
(21) Appl. No.: **29/599,086**  
(22) Filed: **Mar. 30, 2017**  
(51) **LOC (11) Cl.** ..... **16-05**  
(52) **U.S. Cl.**  
USPC ..... **D16/242**; D16/237  
(58) **Field of Classification Search**  
USPC ..... D16/219, 237-250; D14/224, 229, 238, D14/251, 447, 451, 457; D8/354, 355, D8/363, 373, 382, 383, 394, 395, 396  
CPC ..... G03B 17/56; G03B 17/561-17/568; G02B 7/00-7/002; H04N 5/2253-5/2254; F16M 11/06-11/10; F16M 11/14; A45F 5/10  
See application file for complete search history.

D732,009 S \* 6/2015 Bak ..... D14/229  
D782,561 S \* 3/2017 Worthington ..... D16/237  
D790,330 S \* 6/2017 Heindl ..... D8/382  
D796,946 S \* 9/2017 Pittman ..... D8/395  
D800,542 S \* 10/2017 O'Dea ..... D8/367  
D813,934 S \* 3/2018 Worthington ..... D16/242  
D815,517 S \* 4/2018 Van Fleet ..... D8/396

**OTHER PUBLICATIONS**

Cabela's 360 HT Rod Holder Cabela's. [online] Published on Apr. 16, 2013. Retrieved Apr. 24, 2018 from URL: <https://www.cabelas.com/product/Cabelas-HT-Rod-Holder/1586568.uts?slotId=0>.  
Leisureworld 3 Pack of Windlock Clamps. [online] Published on Jun. 7, 2014. Retrieved Apr. 24, 2018 from URL: <https://www.breancaravanangling.com/product/leisureworld-3-pack-windlock-clamps/>.

\* cited by examiner

*Primary Examiner* — Vy N Koenig  
(74) *Attorney, Agent, or Firm* — Fenwick & West LLP

(57) **CLAIM**

The ornamental design for a camera holder, as shown and described.

**DESCRIPTION**

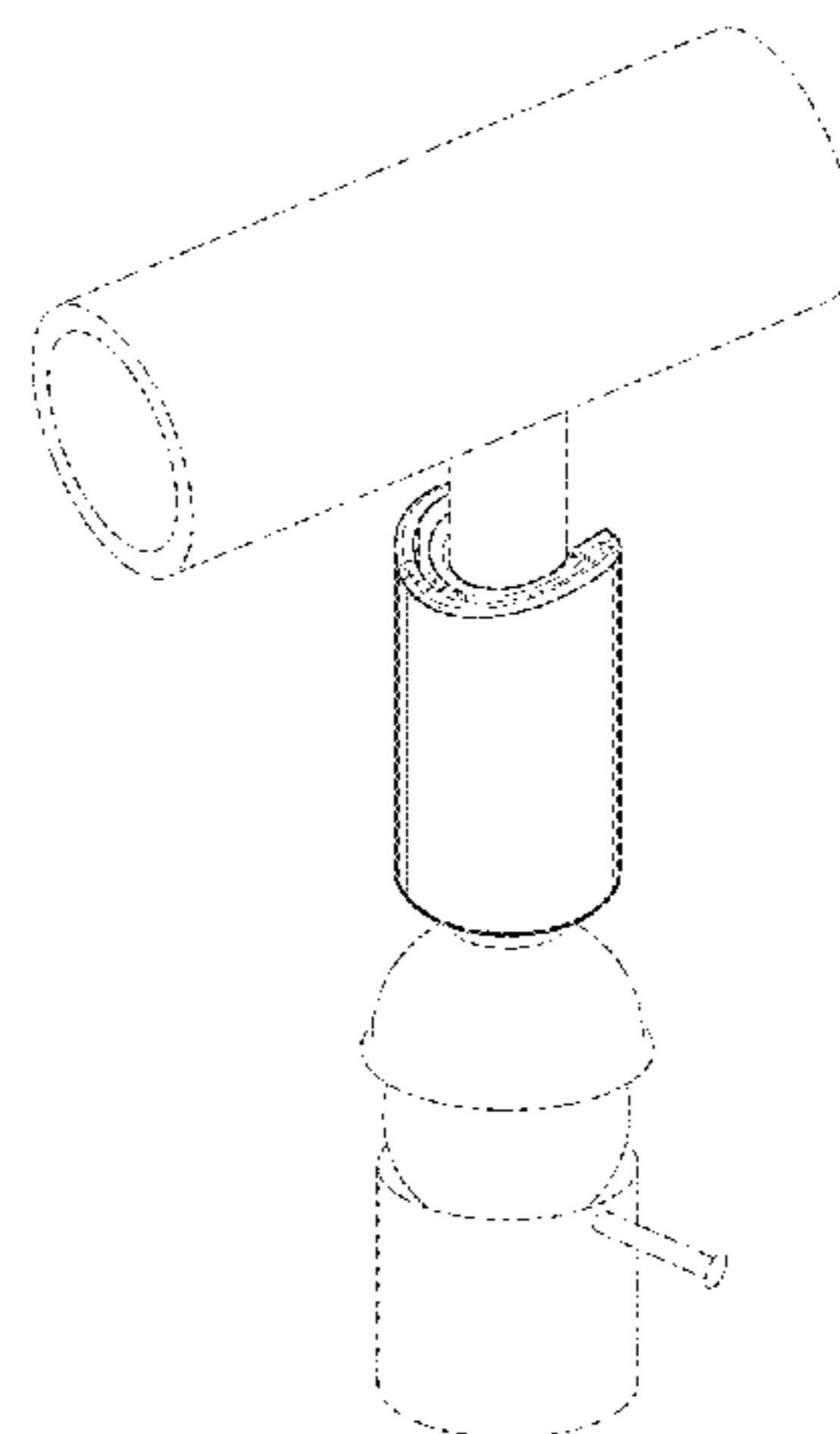
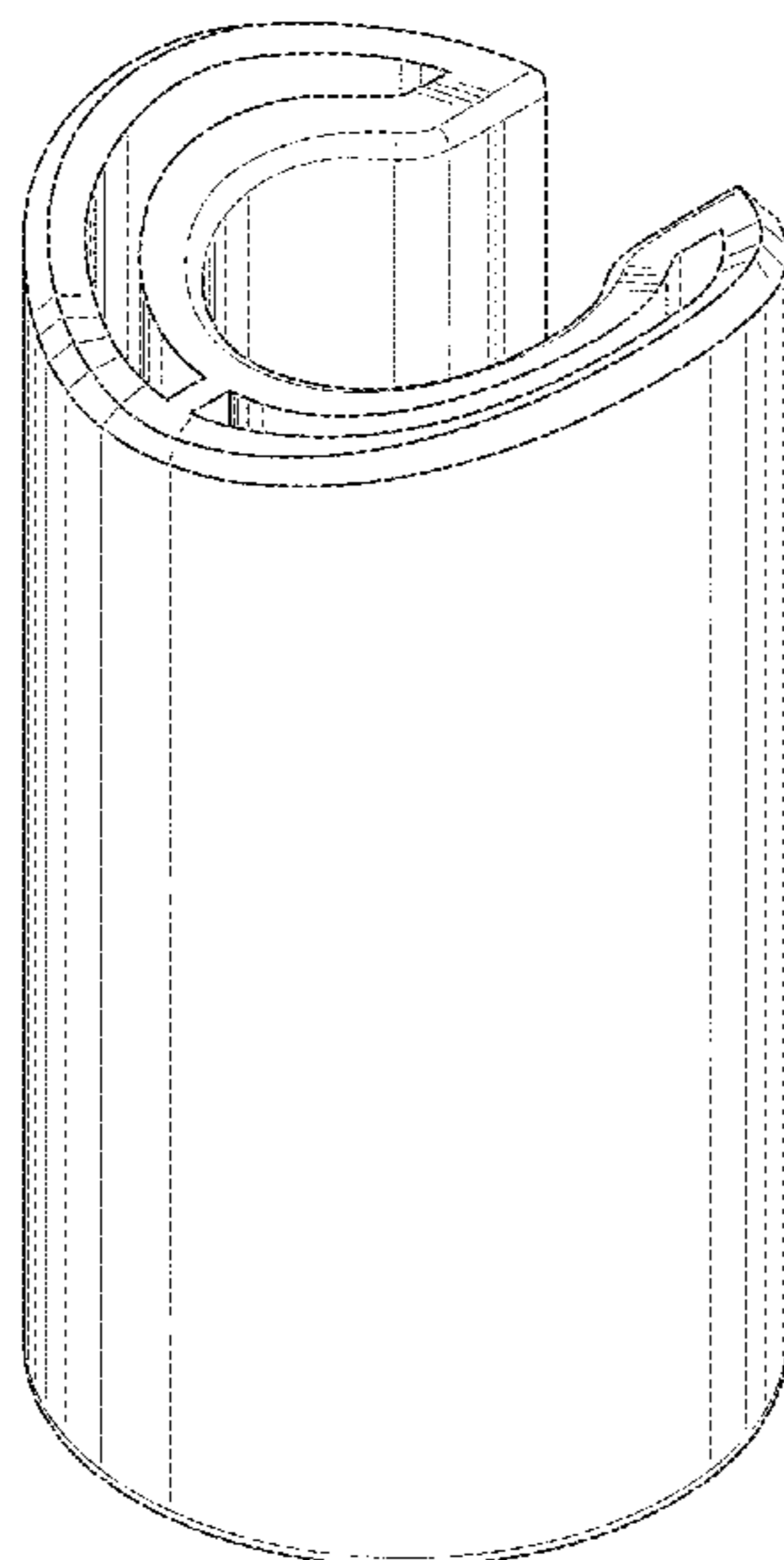
FIG. 1 is a perspective view of the camera holder showing my new design;  
FIG. 2 is a front view thereof;  
FIG. 3 is a rear view thereof;  
FIG. 4 is a left side view thereof;  
FIG. 5 is a right side view thereof;  
FIG. 6 is a top view thereof;  
FIG. 7 is a bottom view thereof; and,  
FIG. 8 is a perspective view thereof in a configuration of use.  
The broken lines in the figures depict environmental subject matter and form no part of the claimed design.

**1 Claim, 8 Drawing Sheets**

(56) **References Cited**

**U.S. PATENT DOCUMENTS**

D242,986 S \* 1/1977 Inglis ..... D8/363  
D427,586 S \* 7/2000 Cozzolino ..... D14/229  
D432,003 S \* 10/2000 Lumbert ..... D8/363  
D479,983 S \* 9/2003 Wall ..... D25/119  
D578,869 S \* 10/2008 Fernandez ..... D8/354  
D644,214 S \* 8/2011 Perez ..... D14/224  
D658,167 S \* 4/2012 Buessler ..... D14/251  
D665,660 S \* 8/2012 Heindl ..... D8/382  
D681,425 S \* 5/2013 Heindl ..... D8/382  
D681,430 S \* 5/2013 Heindl ..... D8/382  
D723,363 S \* 3/2015 Symons ..... D8/396



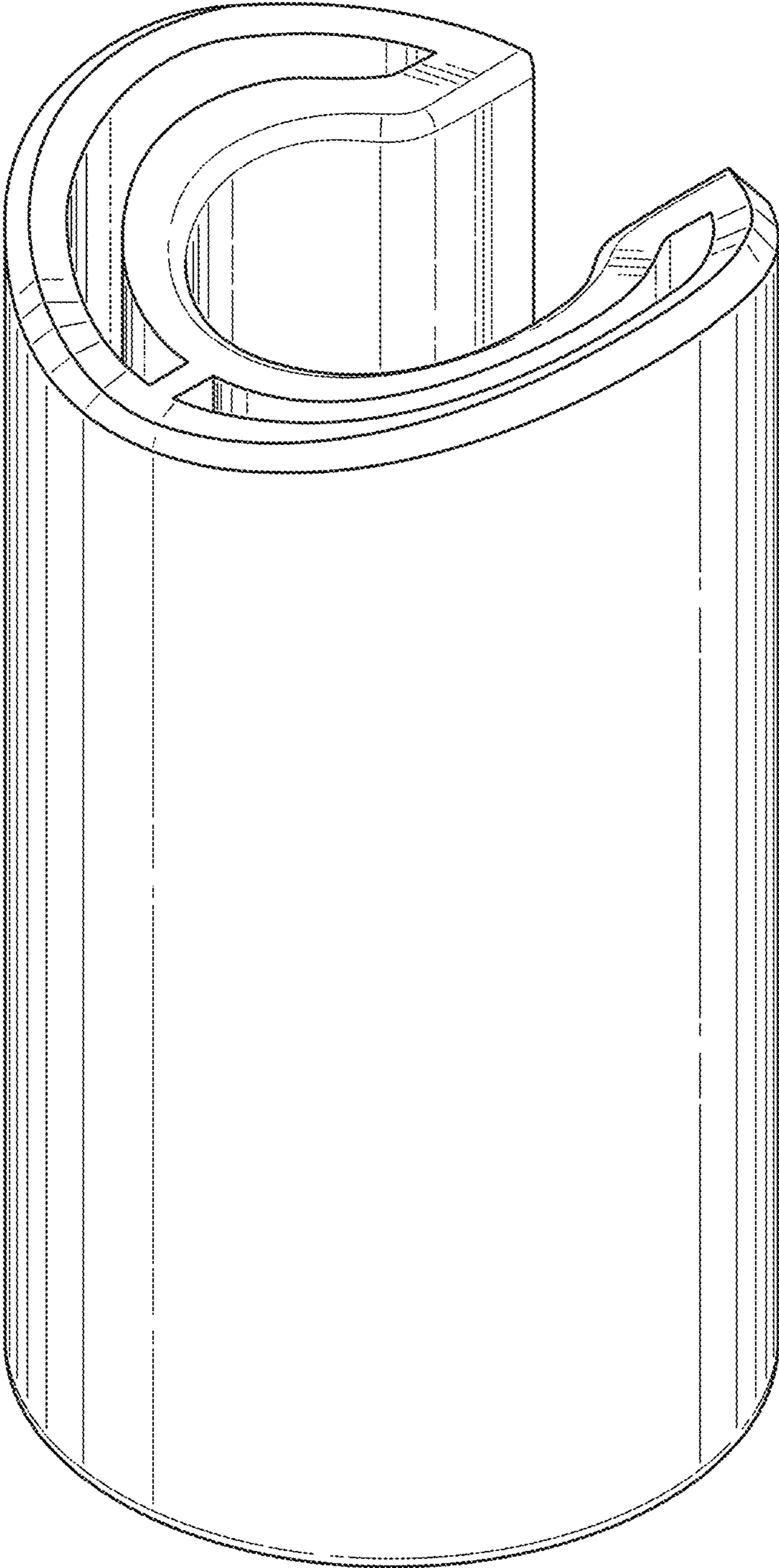


FIG. 1

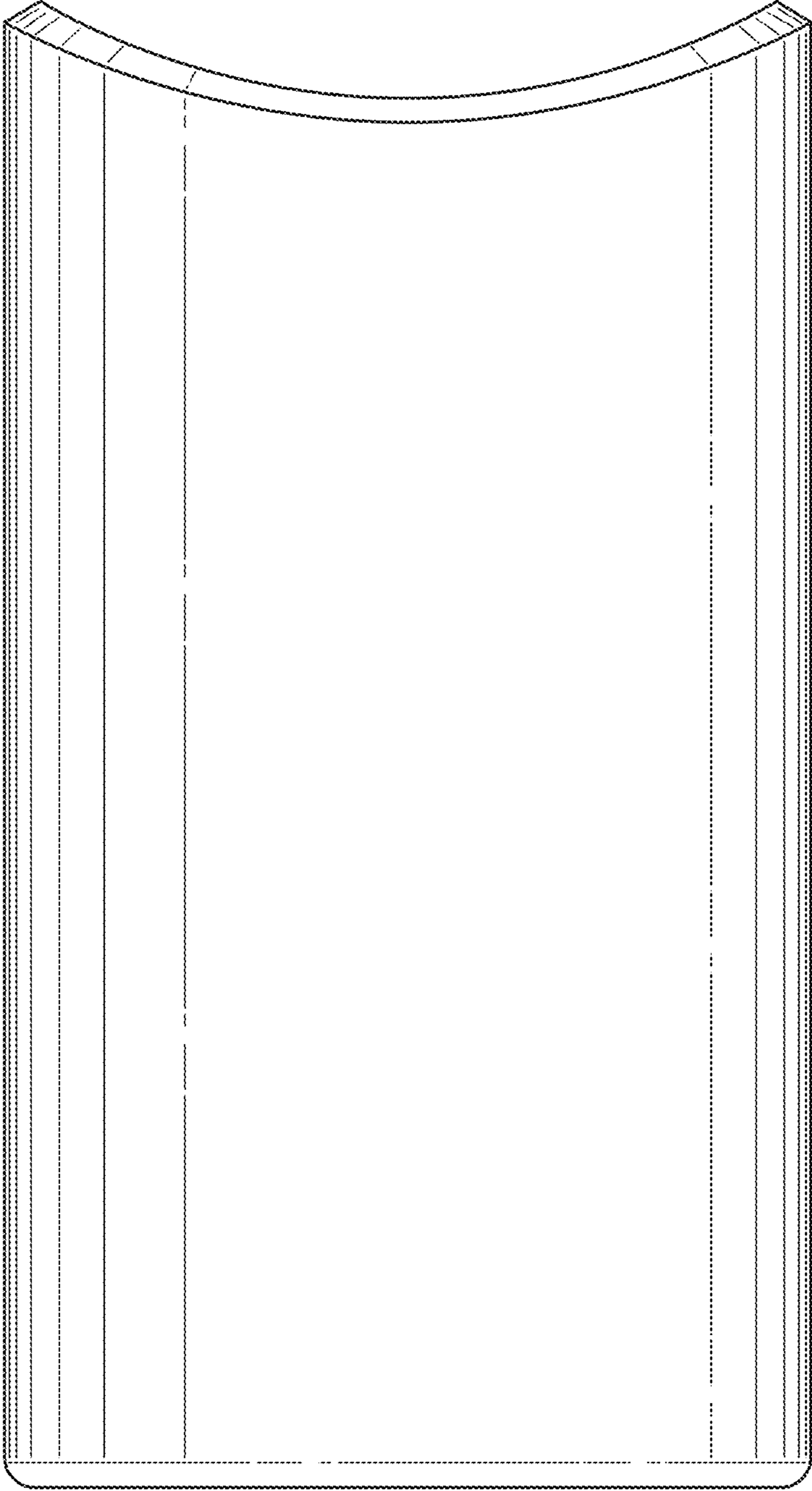


FIG. 2

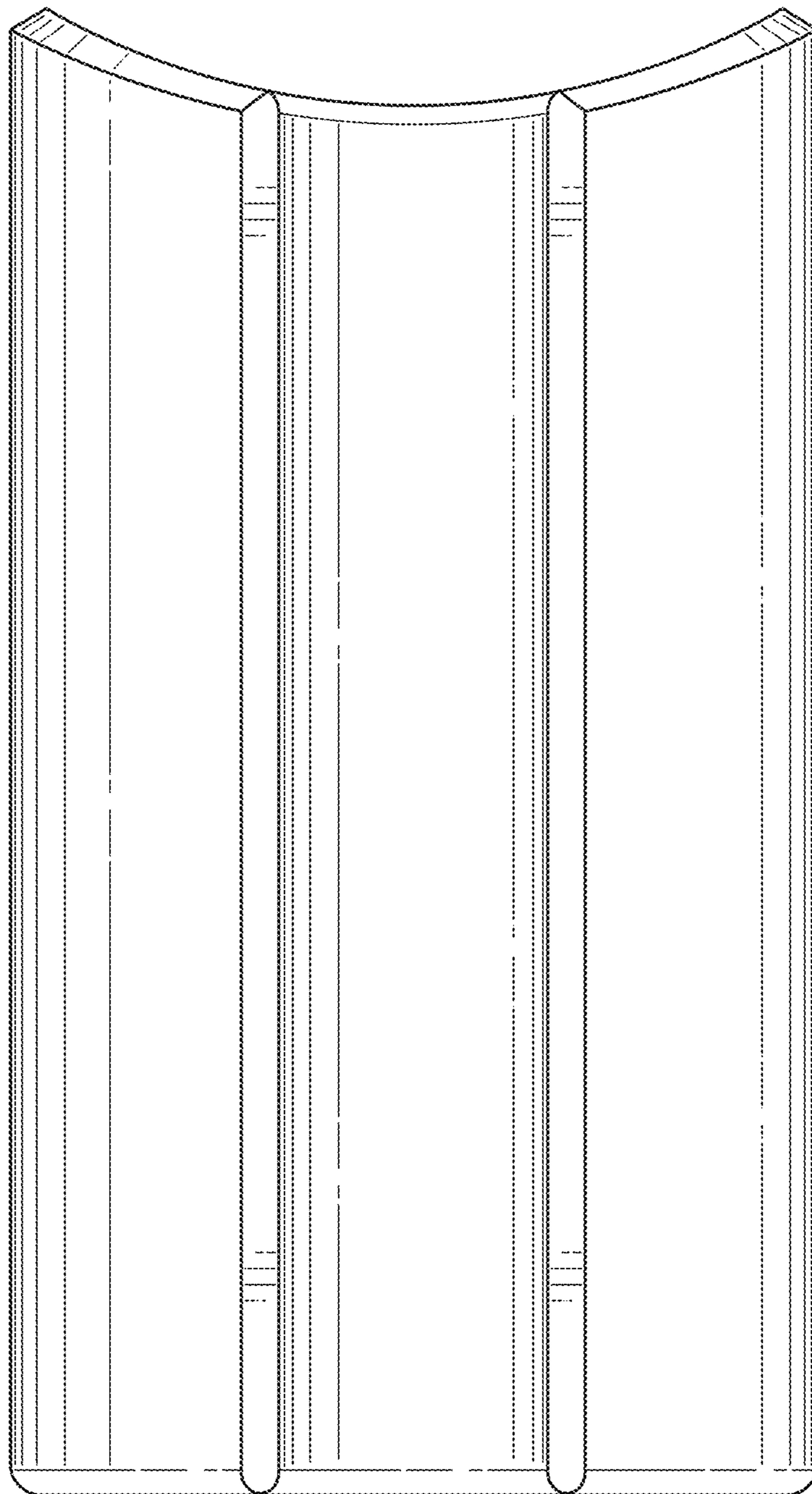


FIG. 3



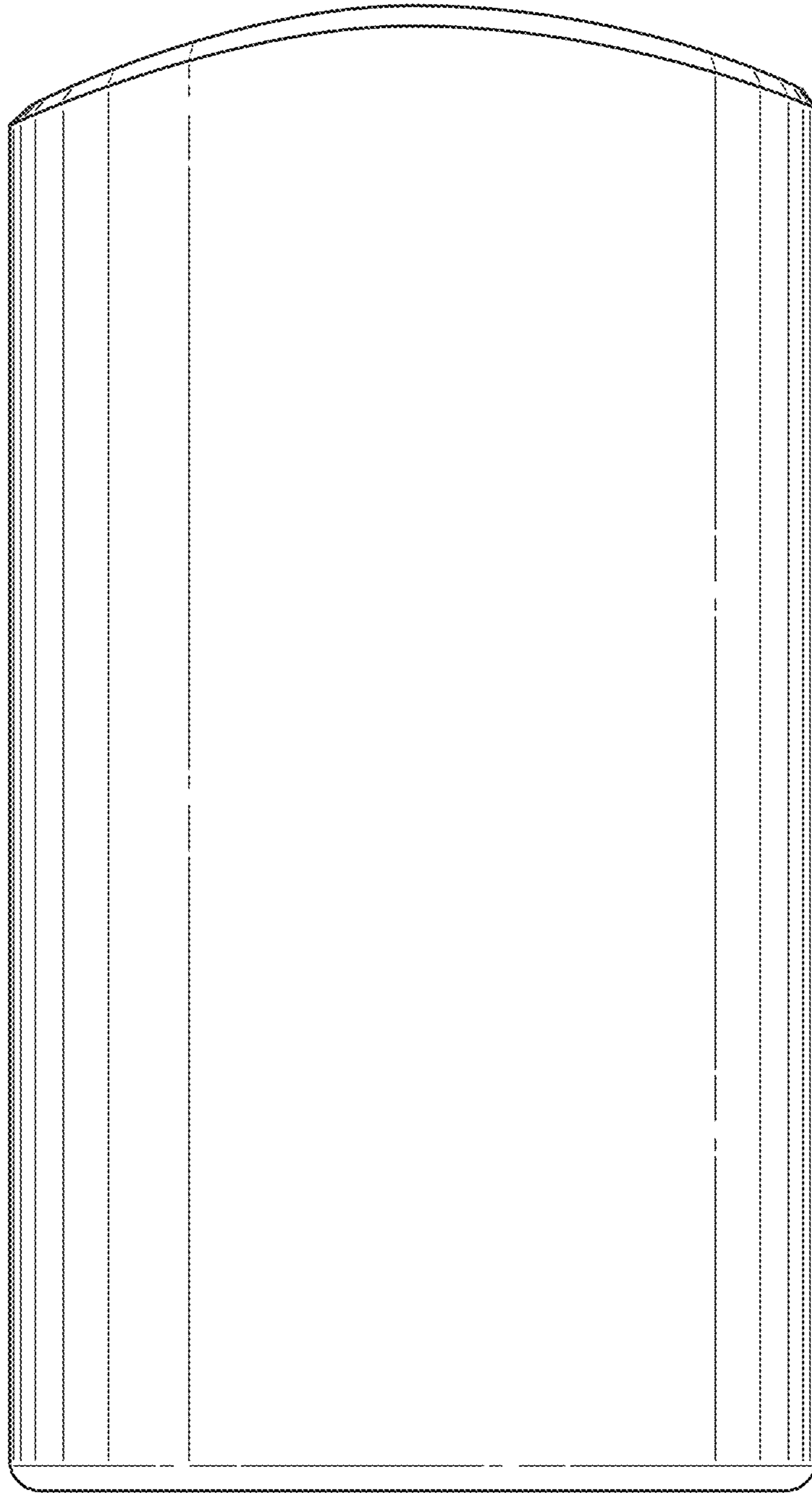


FIG. 4

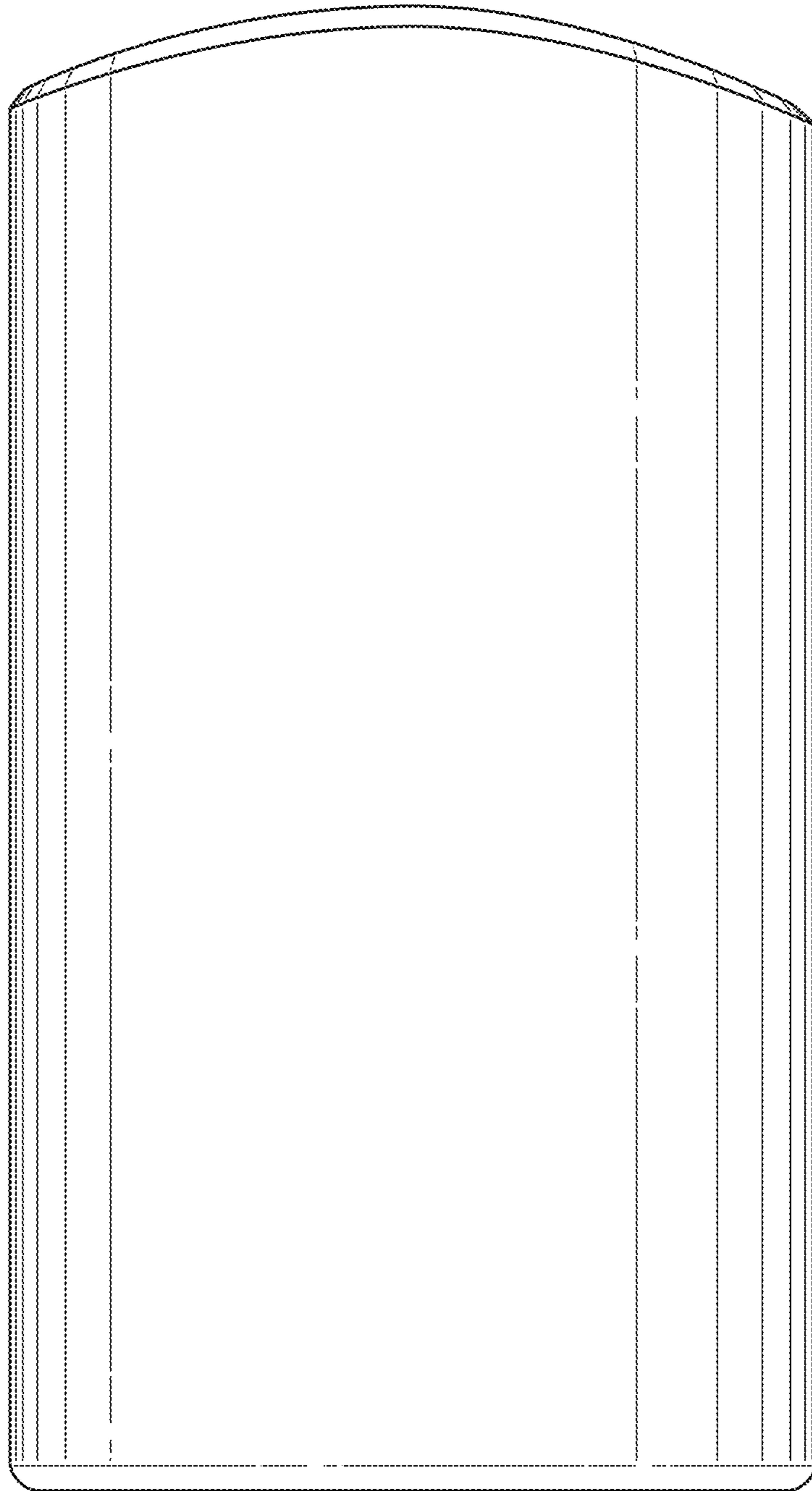


FIG. 5

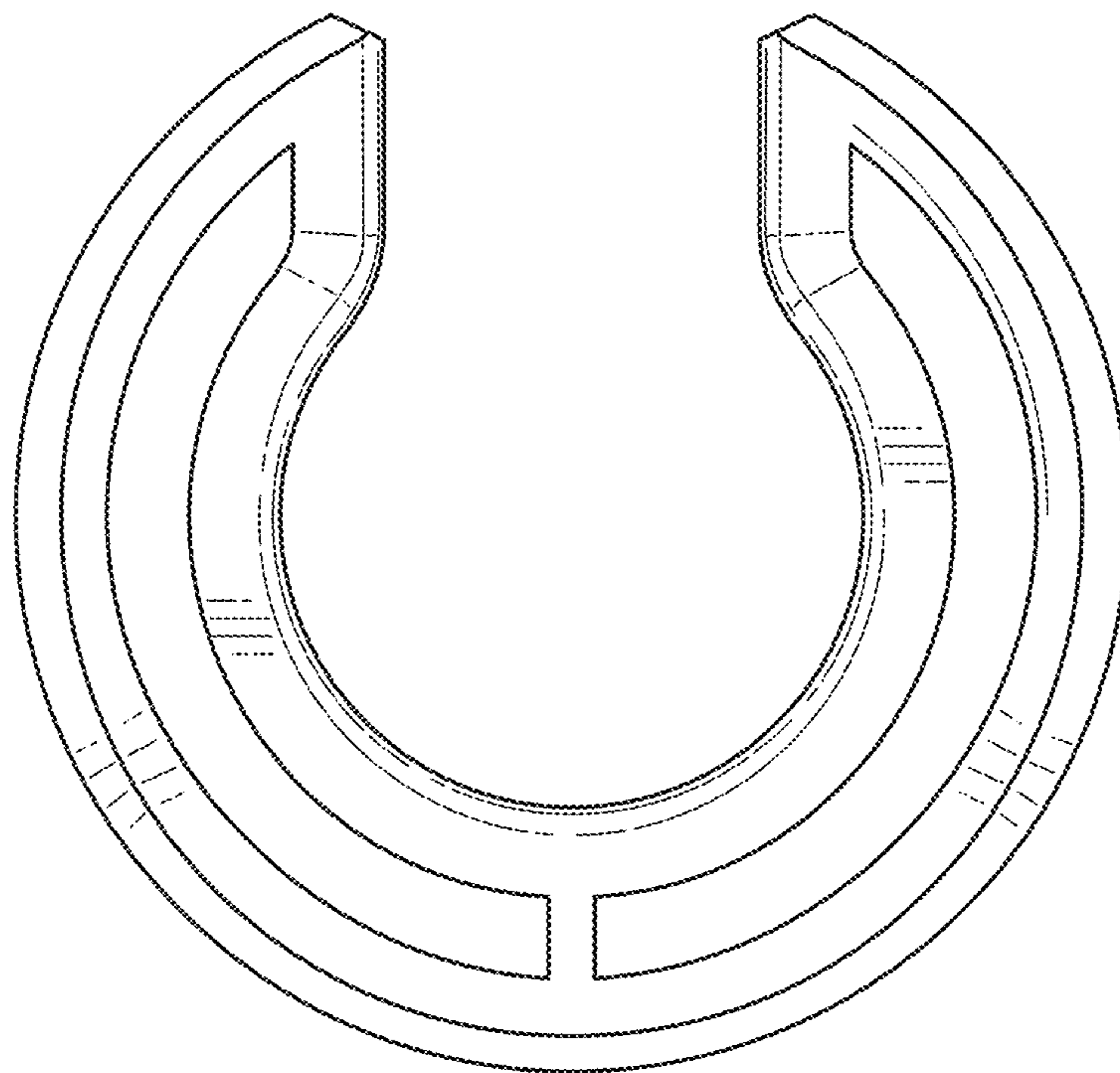


FIG. 6

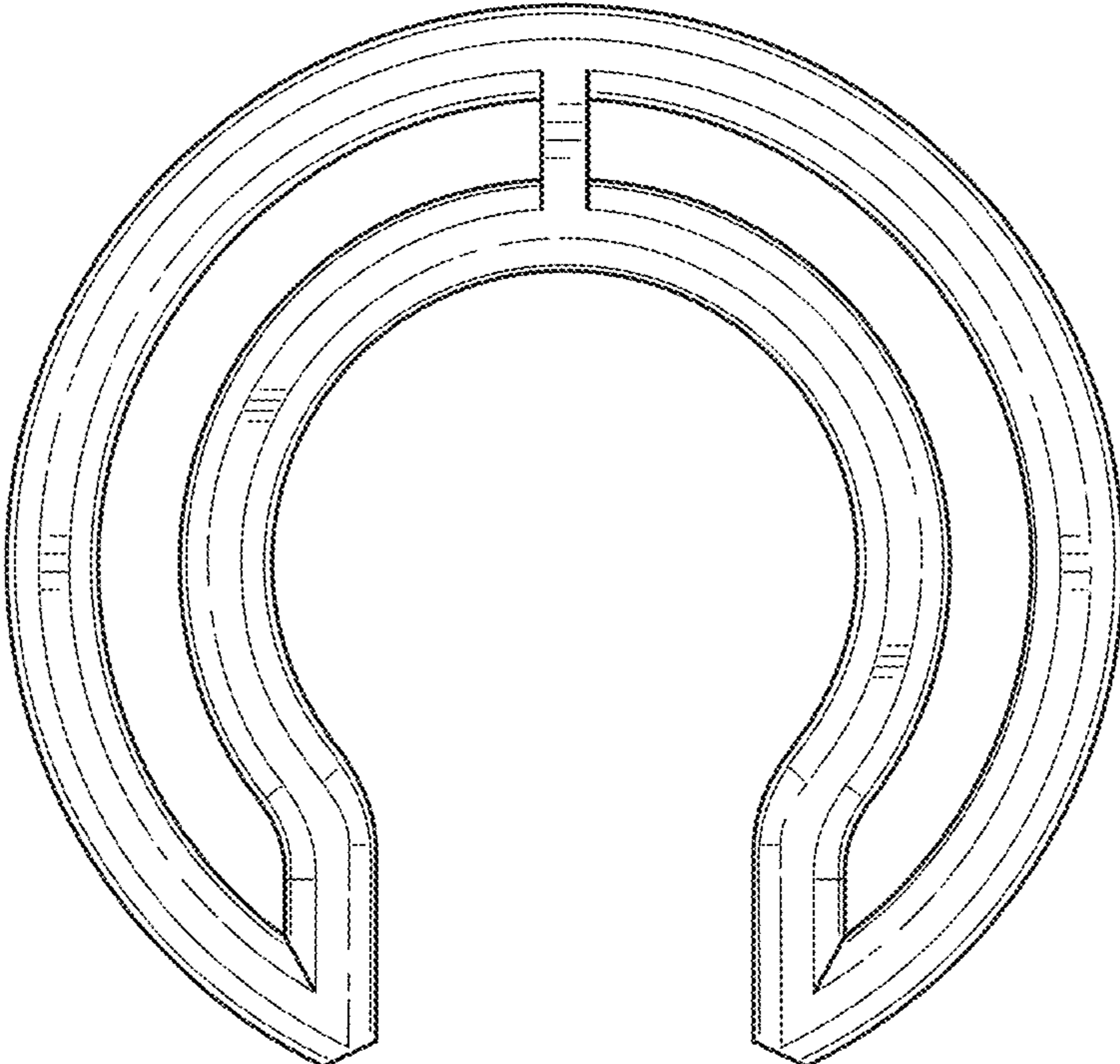


FIG. 7



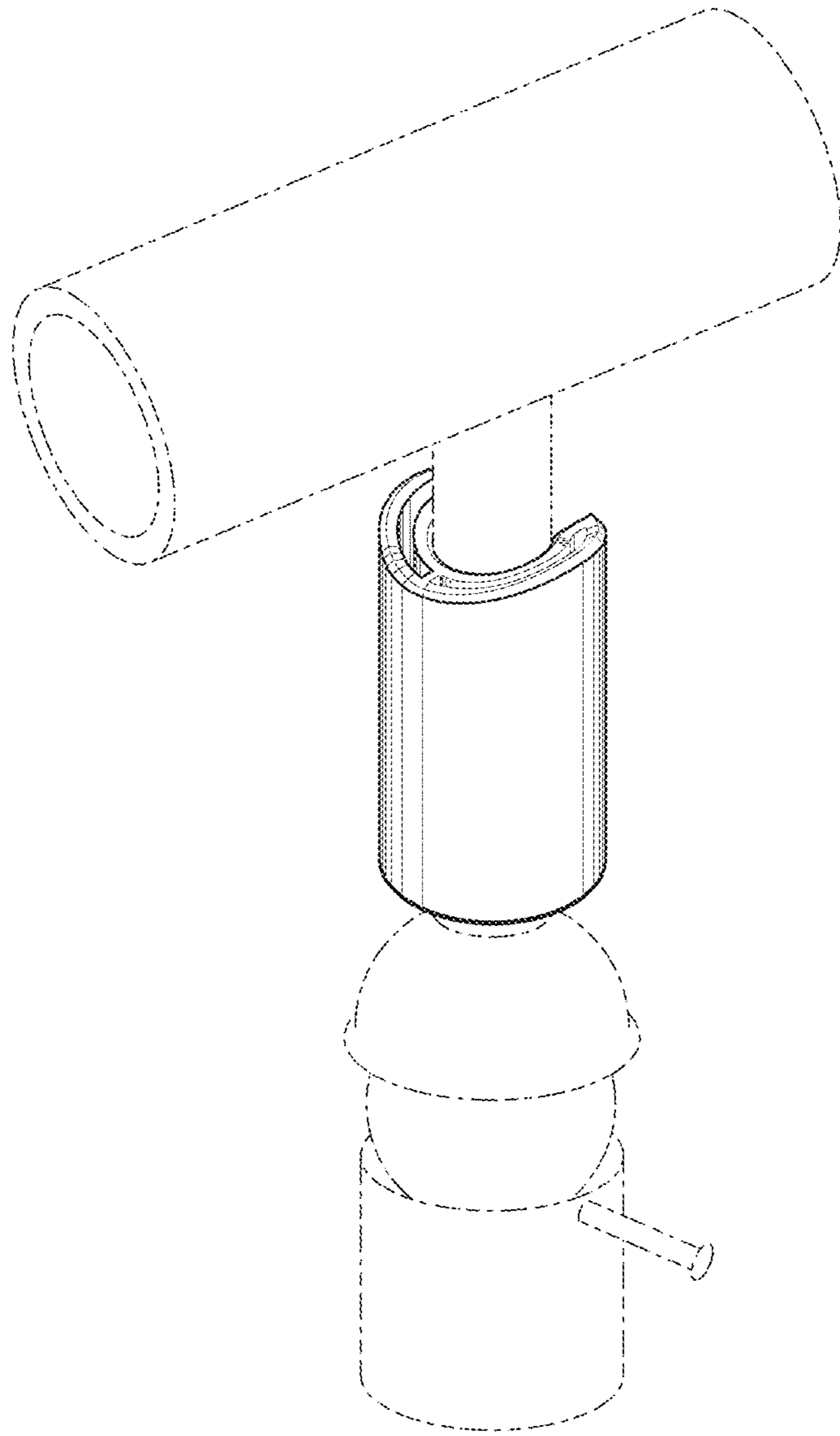


FIG. 8