



US00D829262S

(12) **United States Design Patent**
Huerta

(10) **Patent No.:** **US D829,262 S**
(45) **Date of Patent:** **** Sep. 25, 2018**

(54) **VIDEO CAMERA**
(71) Applicant: **UBIQUITI NETWORKS, INC.**, San Jose, CA (US)
(72) Inventor: **Gerardo Huerta**, San Jose, CA (US)
(73) Assignee: **Ubiquiti Networks, Inc.**, New York, NY (US)
(**) Term: **15 Years**
(21) Appl. No.: **35/001,040**
(22) Filed: **Jun. 26, 2015**

7,170,560 B2 * 1/2007 Tatewaki G08B 13/1963
348/151
D564,557 S * 3/2008 Yamamoto D16/203
D575,810 S * 8/2008 Alm D16/203
7,609,321 B2 * 10/2009 Yamane G03B 17/02
348/151
D607,038 S * 12/2009 Carlesso D16/245
7,651,281 B2 * 1/2010 Wen G03B 15/03
348/373
7,661,890 B2 * 2/2010 Basho G03B 27/58
348/143
D636,805 S * 4/2011 Anneback D16/203
D690,345 S * 9/2013 Seo D16/203
D721,755 S * 1/2015 Ahman D16/203
D740,870 S * 10/2015 Park D16/203
D740,874 S * 10/2015 Ahman D16/203
9,172,855 B1 * 10/2015 Mohan H04N 5/2252

(Continued)

(80) **Hague Agreement Data**
Int. Filing Date: **Jun. 26, 2015**
Int. Reg. No.: **DM/089492**
Int. Reg. Date: **Jun. 26, 2015**
Int. Reg. Pub. Date: **Mar. 4, 2016**

Primary Examiner — Manpreet S Matharu
Assistant Examiner — Holly E Thurman
(74) *Attorney, Agent, or Firm* — Shay Glenn LLP

(51) **LOC (11) Cl.** **16-05**
(52) **U.S. Cl.**
USPC **D16/219; D16/203**
(58) **Field of Classification Search**
USPC D16/200, 202–208, 218, 219, 235,
D16/237–245, 250; D14/251, 253;
D8/363, 373, 382, 394
CPC G03B 17/56; G03B 17/561–17/568; G02B
7/00–7/002; H04N 5/2253–5/2254; F16M
11/04–11/12
See application file for complete search history.

(57) **CLAIM**

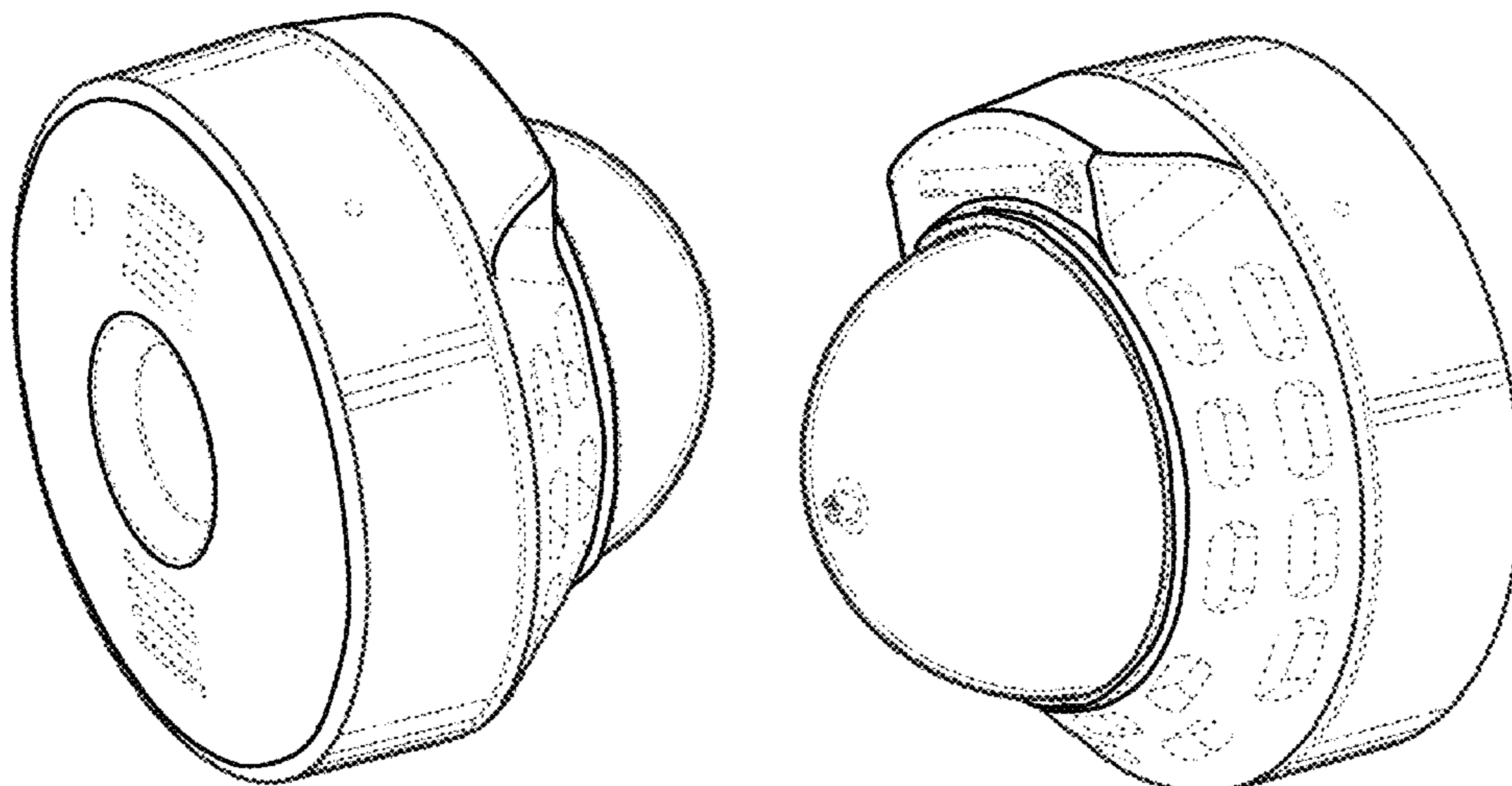
The ornamental design for a video camera, as shown and described.

DESCRIPTION

1.-2. Video cameras with a hemispherical power connectors
1.1 : Front isometric
1.2 : Front isometric
1.3 : Front
1.4 : Back
1.5 : Right
1.6 : Left
1.7 : Top
1.8 : Bottom
1.9 : 1st alternative perspective
1.10 : 2nd alternative perspective
1.11 : 3rd alternative perspective
The broken lines disclose portions of the video camera that form no part of the claimed design.

(56) **References Cited**
U.S. PATENT DOCUMENTS
D412,924 S * 8/1999 Hiraguchi D16/203
D416,273 S * 11/1999 Yamakawa D16/203
D449,630 S * 10/2001 Rak D10/106.1
D452,696 S * 1/2002 Fenton D16/203
D494,992 S * 8/2004 Seo D16/203
D497,927 S * 11/2004 Arbuckle D16/203

1 Claim, 11 Drawing Sheets



(56)

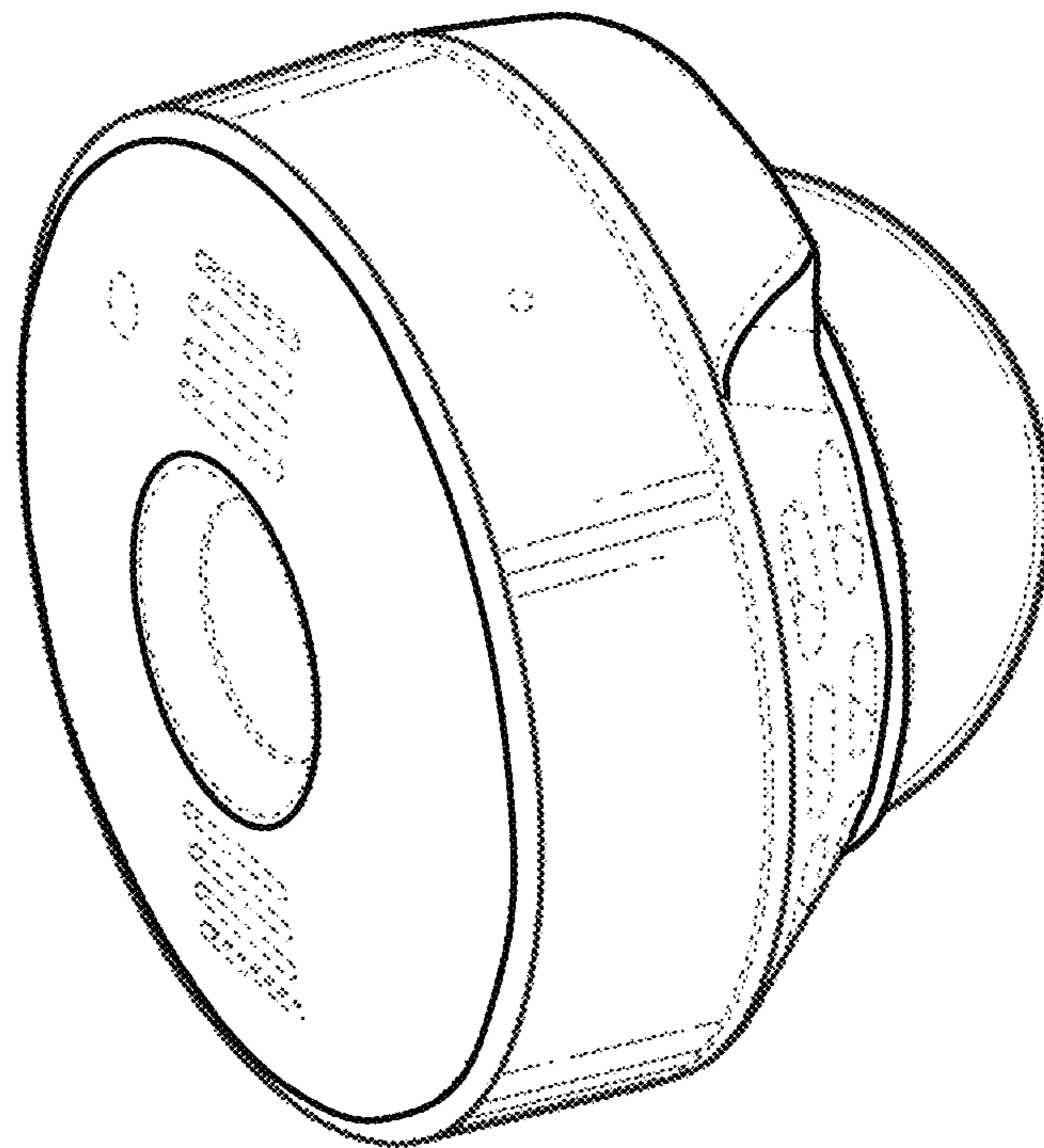
References Cited

U.S. PATENT DOCUMENTS

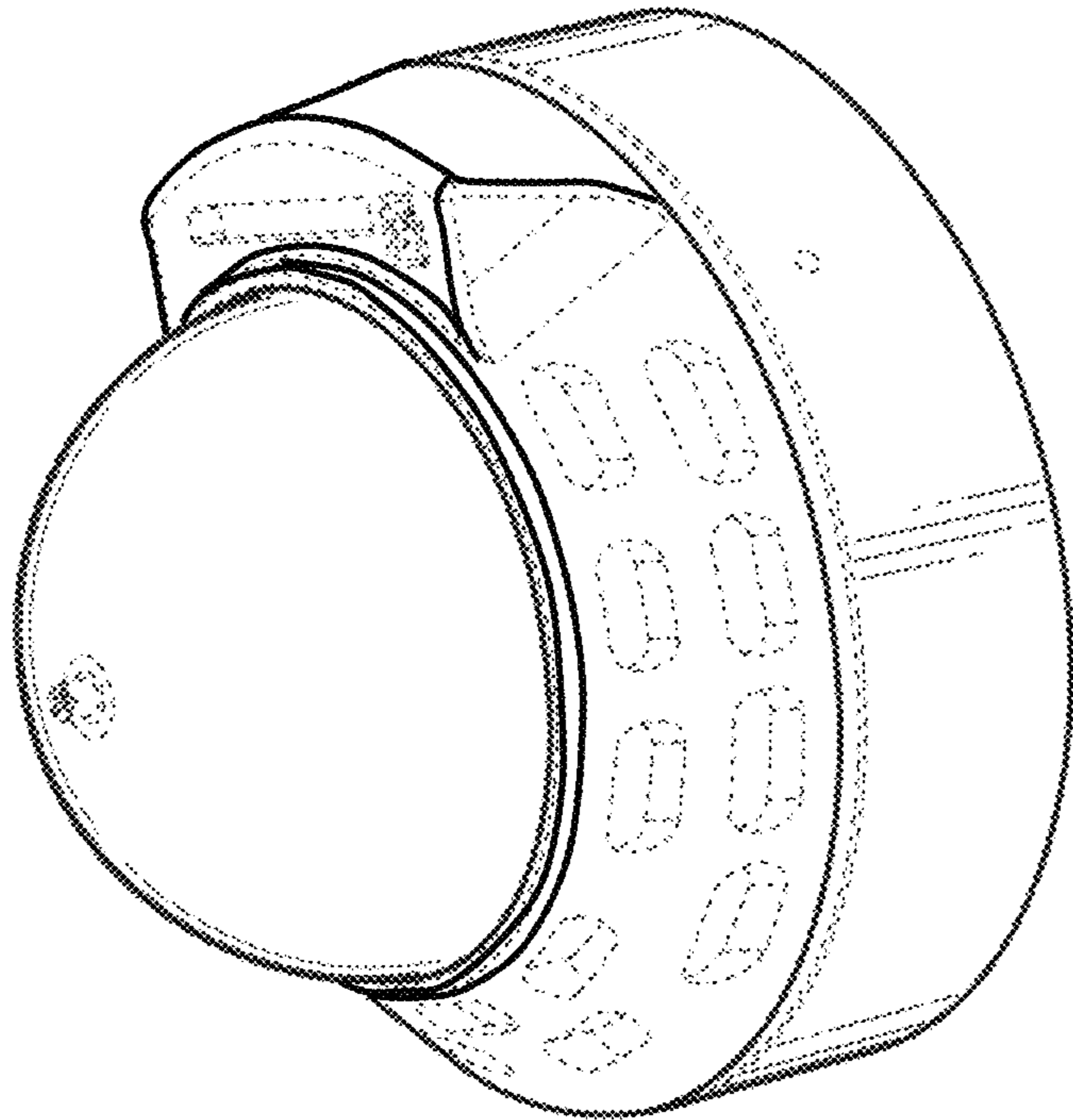
D750,682 S * 3/2016 Andersson D16/203
D756,438 S * 5/2016 Okamura D16/203
D772,324 S * 11/2016 Bennermark D16/203

* cited by examiner

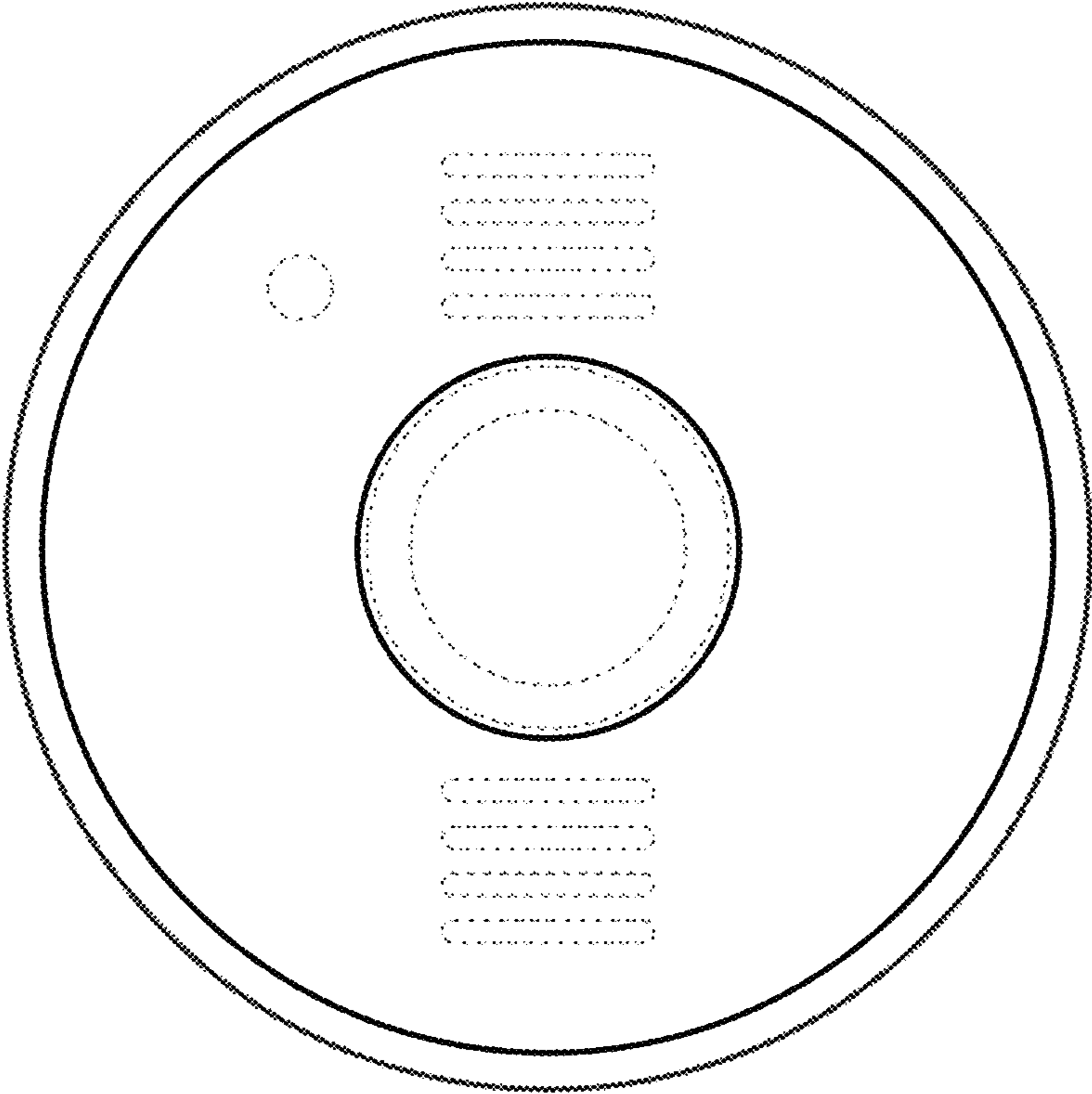
1.1



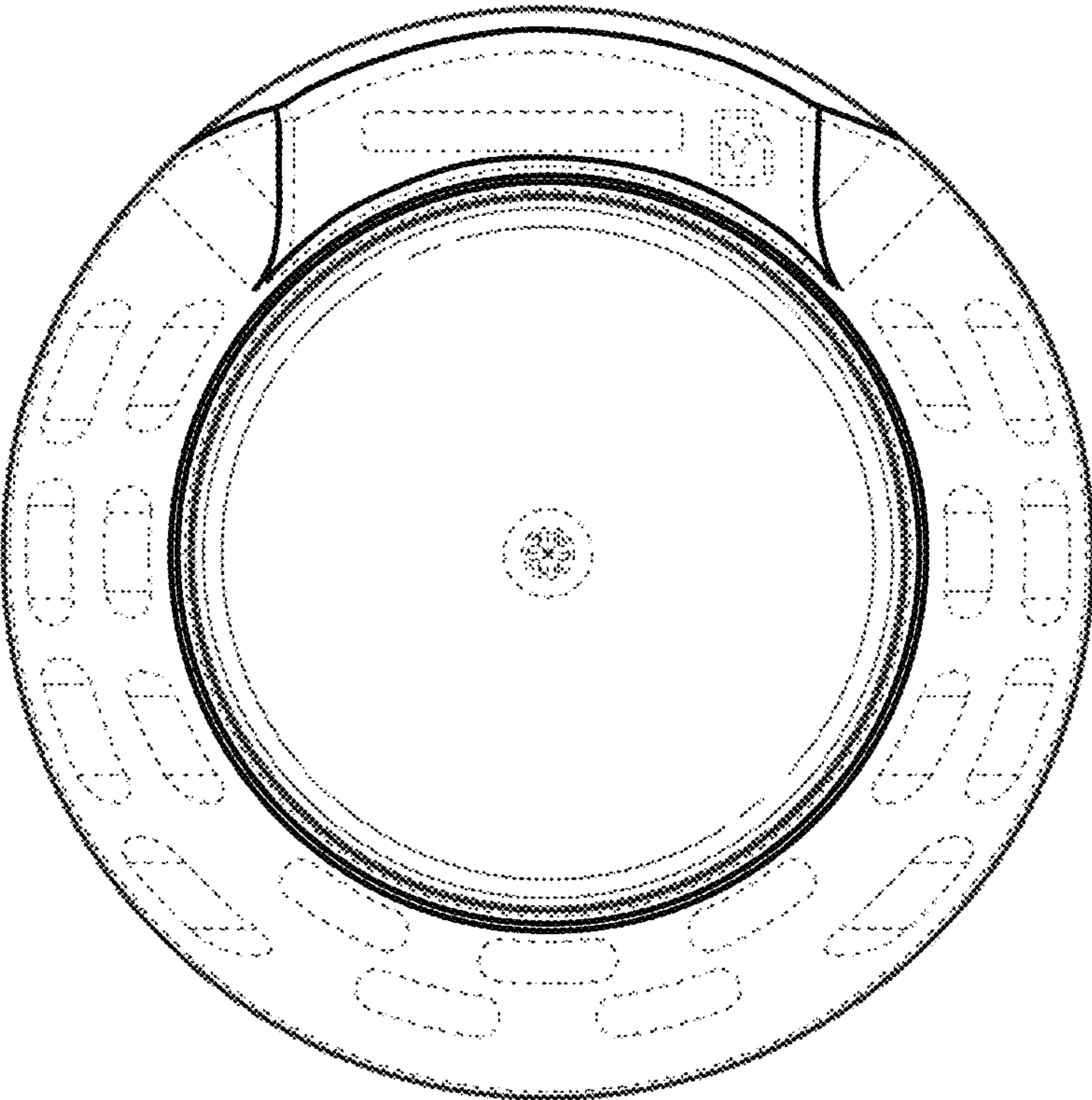
1.2

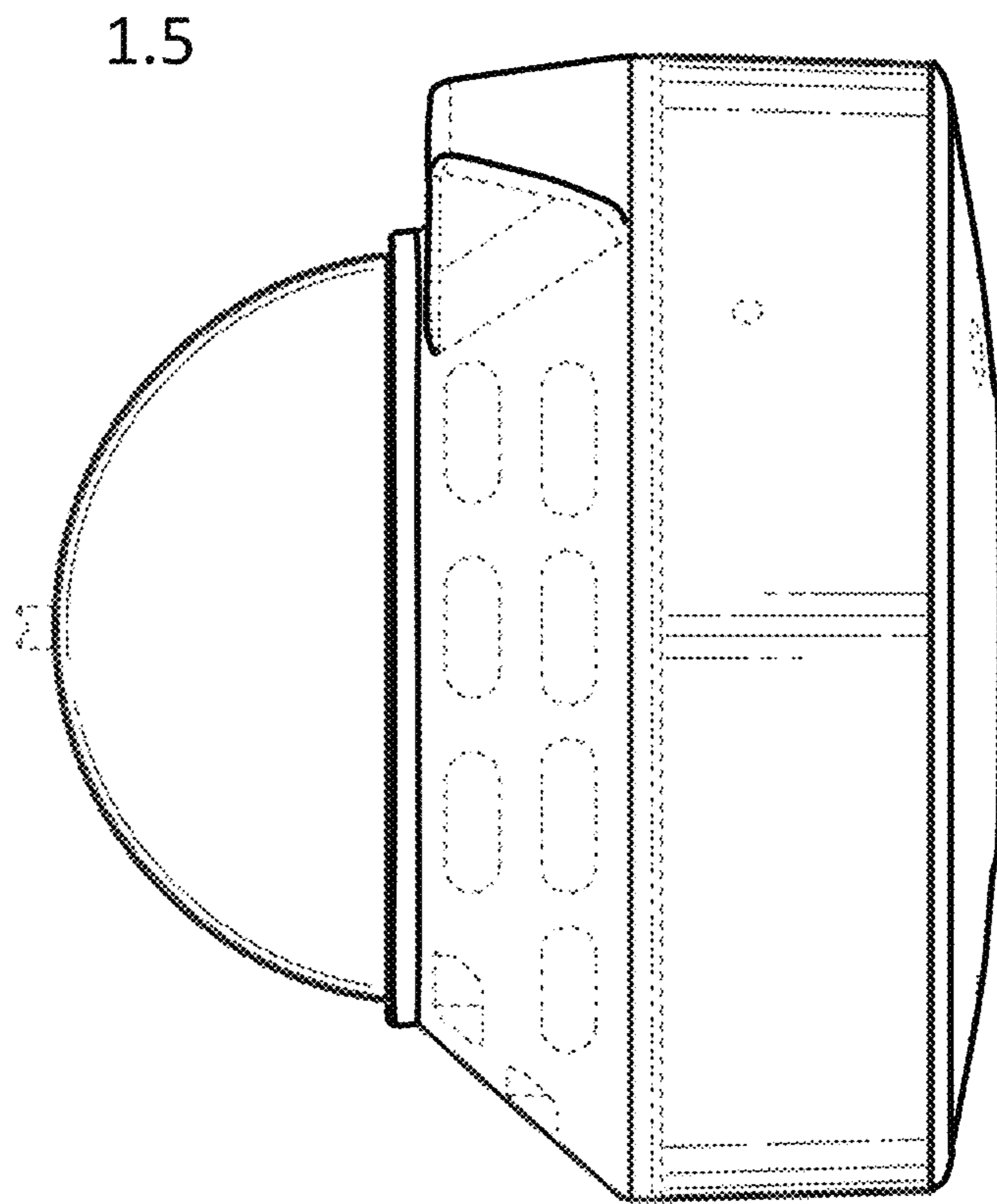


1.3

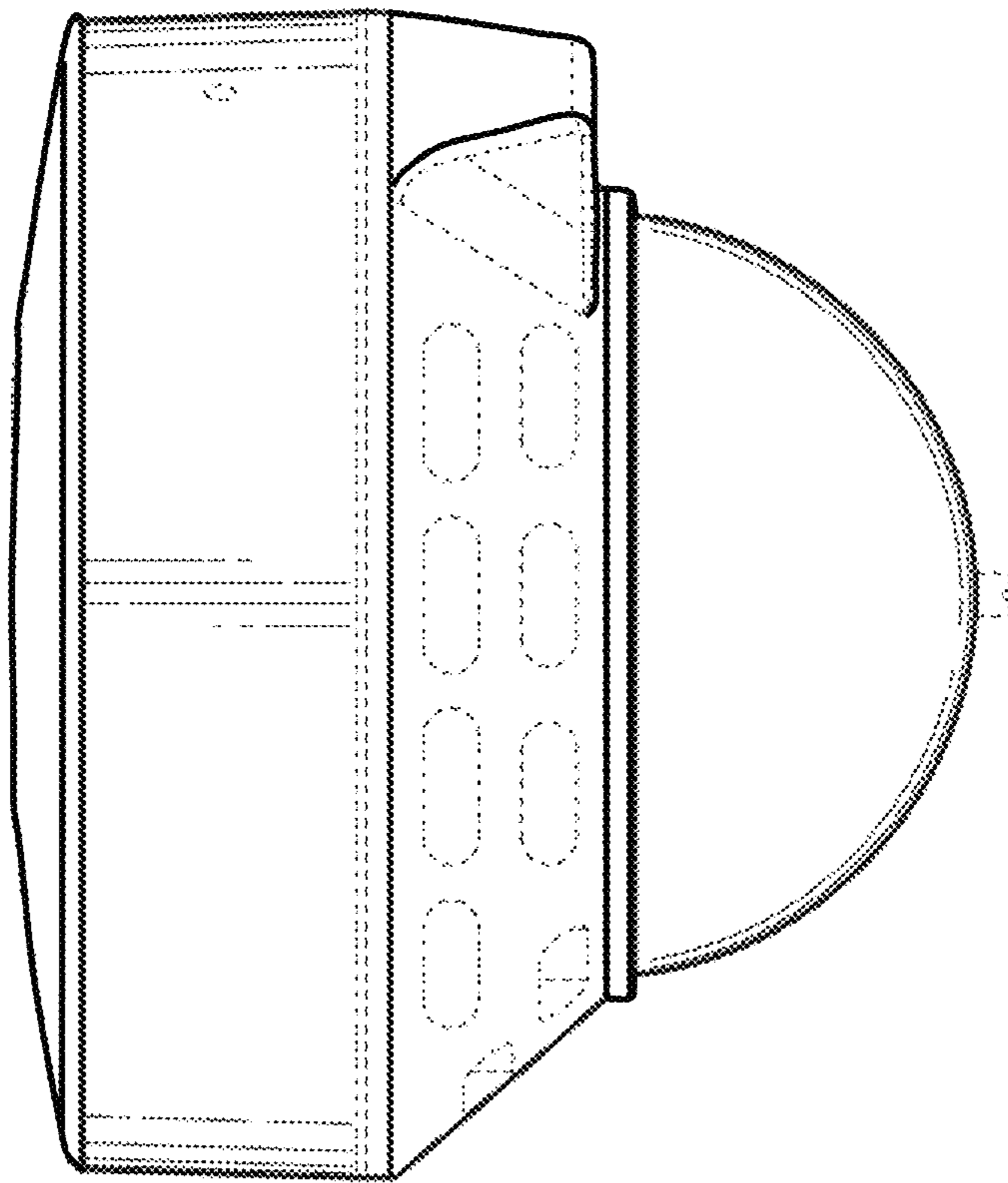


1.4

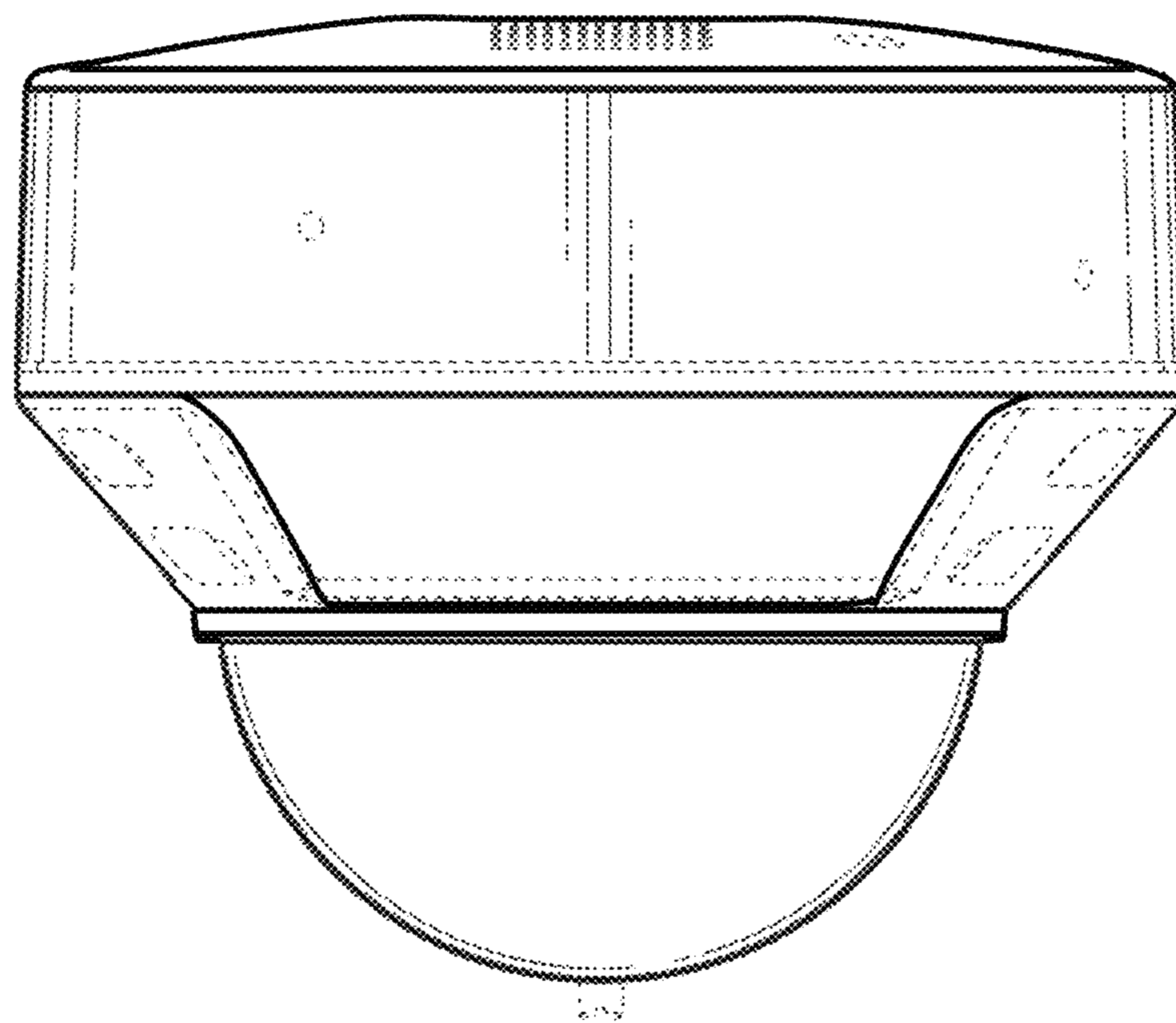




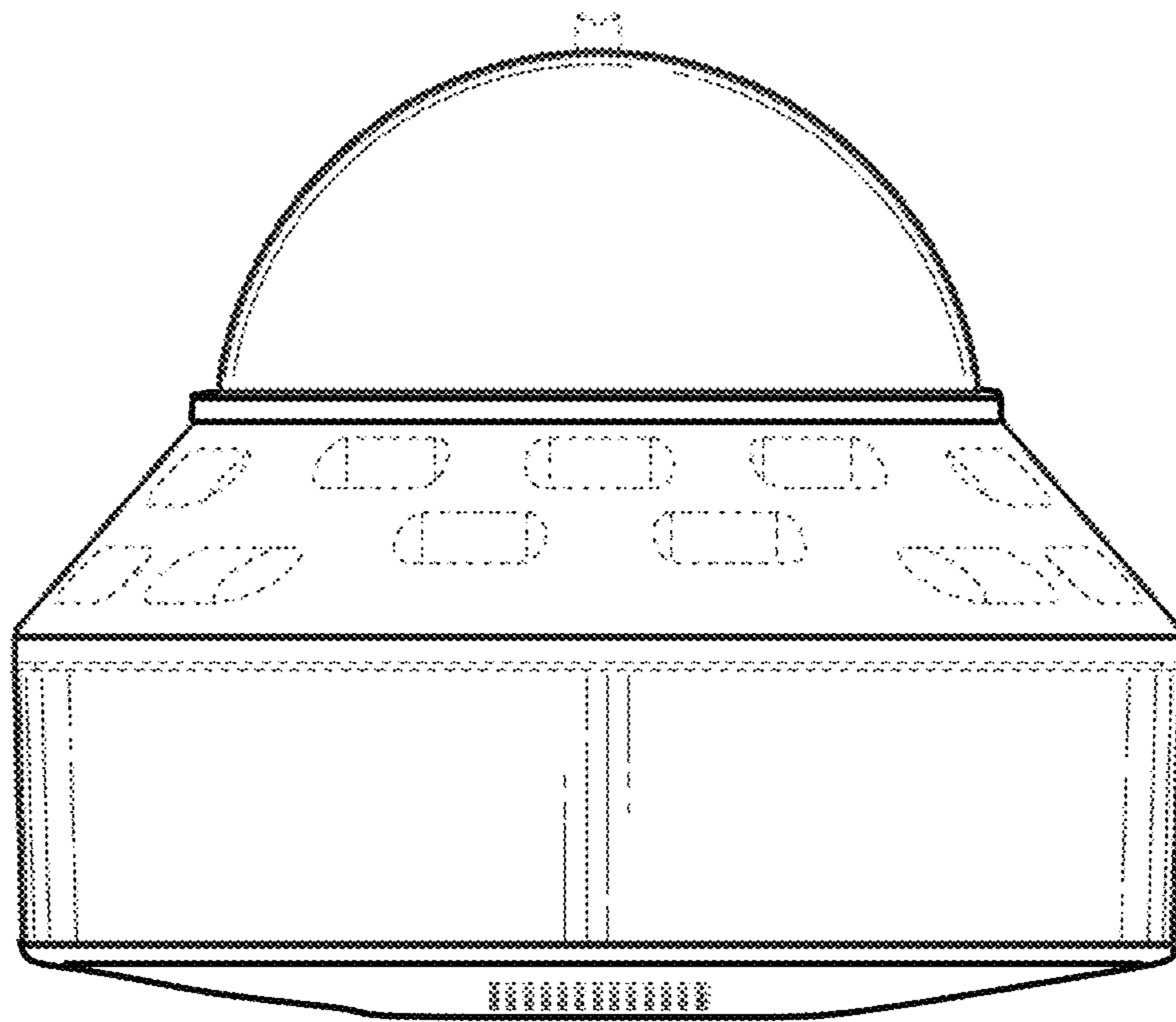
1.6



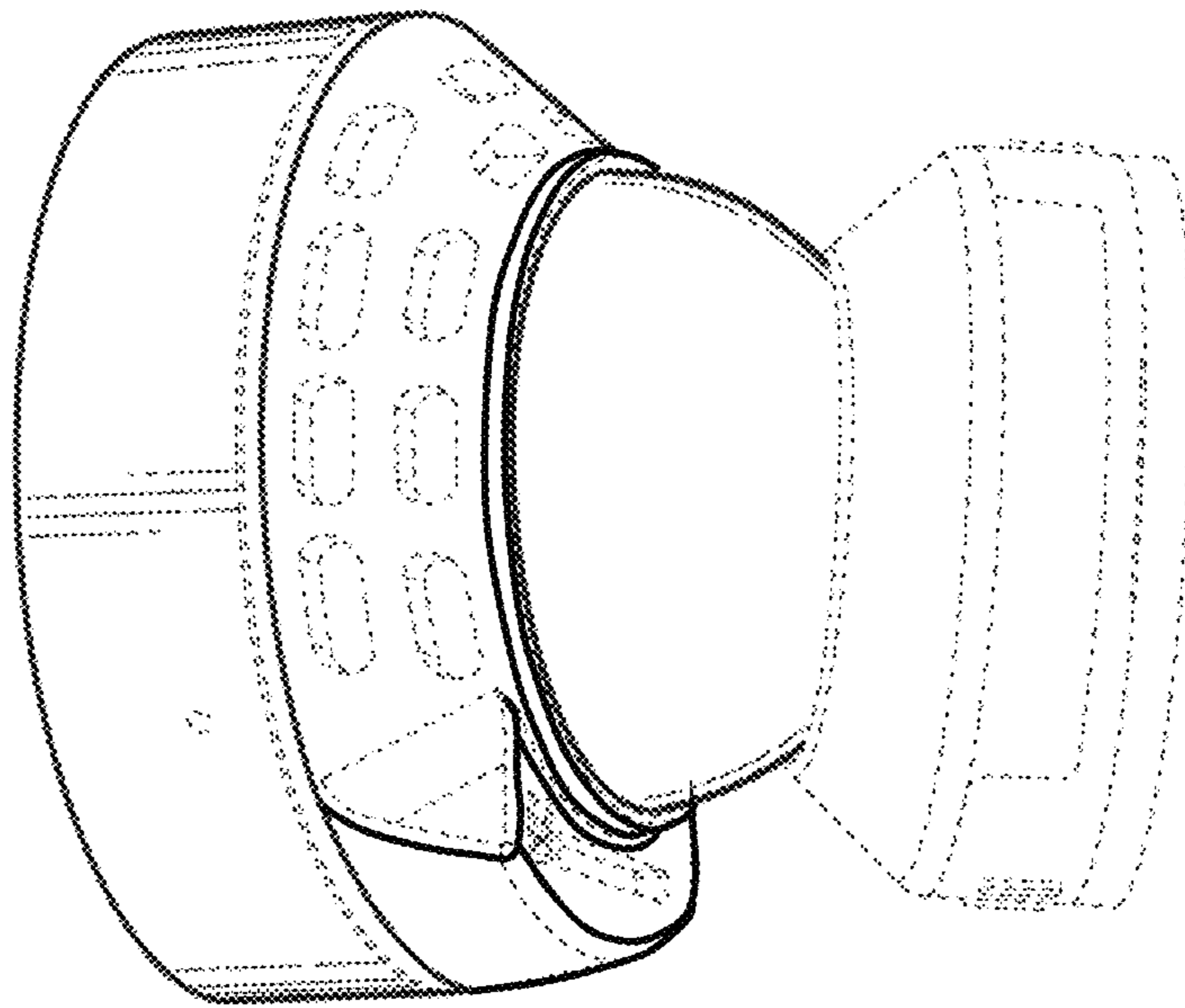
1.7



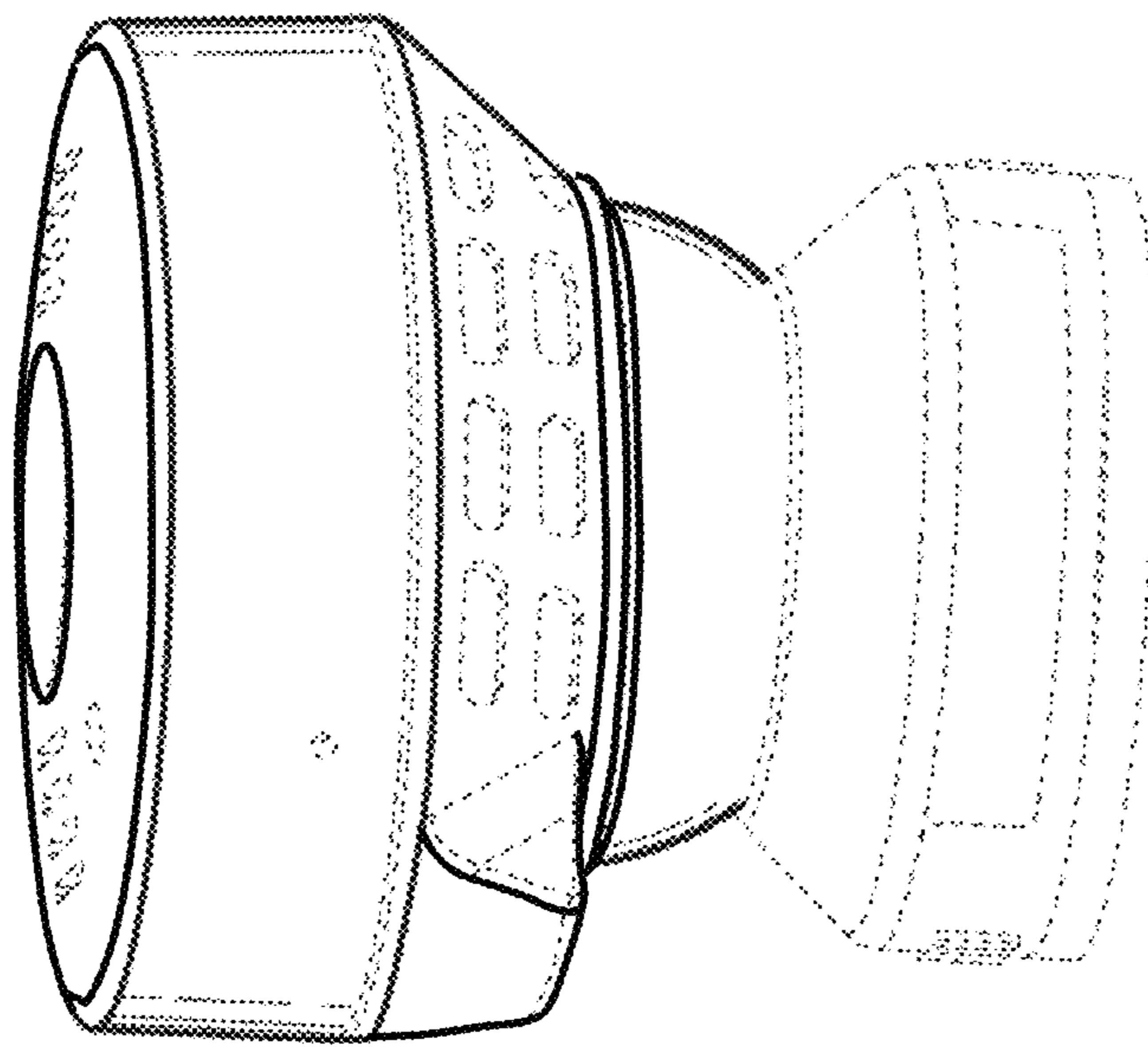
1.8



1.9



1.10



1.11

