



US00D829259S

(12) **United States Design Patent**
Persson et al.

(10) **Patent No.:** **US D829,259 S**
(45) **Date of Patent:** **** Sep. 25, 2018**

(54) **MONITORING CAMERA**

(71) Applicant: **AXIS AB**, Lund (SE)

(72) Inventors: **Henrik Persson**, Lund (SE); **Fredrik Axelsson**, Loddekopinge (SE); **Andreas Hertzman**, Helsingborg (SE); **Gert Nilsson**, Sjobo (SE); **Daniel Ahman**, Lomma (SE); **Mathias Walter**, Arlov (SE); **Morten Bergstrom**, Bjarred (SE)

(73) Assignee: **AXIS AB**, Lund (SE)

(**) Term: **15 Years**

(21) Appl. No.: **29/643,100**

(22) Filed: **Apr. 4, 2018**

Related U.S. Application Data

(60) Continuation of application No. 29/603,374, filed on May 9, 2017, which is a division of application No. (Continued)

(30) **Foreign Application Priority Data**

Nov. 16, 2015 (EM) 002861161-0001
Nov. 16, 2015 (EM) 002861161-0002
(Continued)

(51) **LOC (11) Cl.** **16-01**

(52) **U.S. Cl.**
USPC **D16/203**

(58) **Field of Classification Search**
USPC D16/200–220, 242, 238; D2/872, 893;
D26/24, 36, 72, 79, 123, 118, 152;
(Continued)

(56) **References Cited**

U.S. PATENT DOCUMENTS

D45,539 S 3/1914 Meyers
D79,855 S 11/1929 Schnell
(Continued)

FOREIGN PATENT DOCUMENTS

CN 303933714 11/2016
EM 002861161-0003 4/2016
(Continued)

OTHER PUBLICATIONS

AXIS P3707-PE—Flexible 360-degree multisensor camera, published May 26, 2016 [online], [retrieved Jun. 5, 2018], Available from Internet, URL: <<https://www.youtube.com/watch?v=r19mFXD-y9U>> at approximately 0:13.*

(Continued)

Primary Examiner — Barbara Fox
Assistant Examiner — Mary C Ramirez

(74) *Attorney, Agent, or Firm* — Volpe and Koenig, P.C.

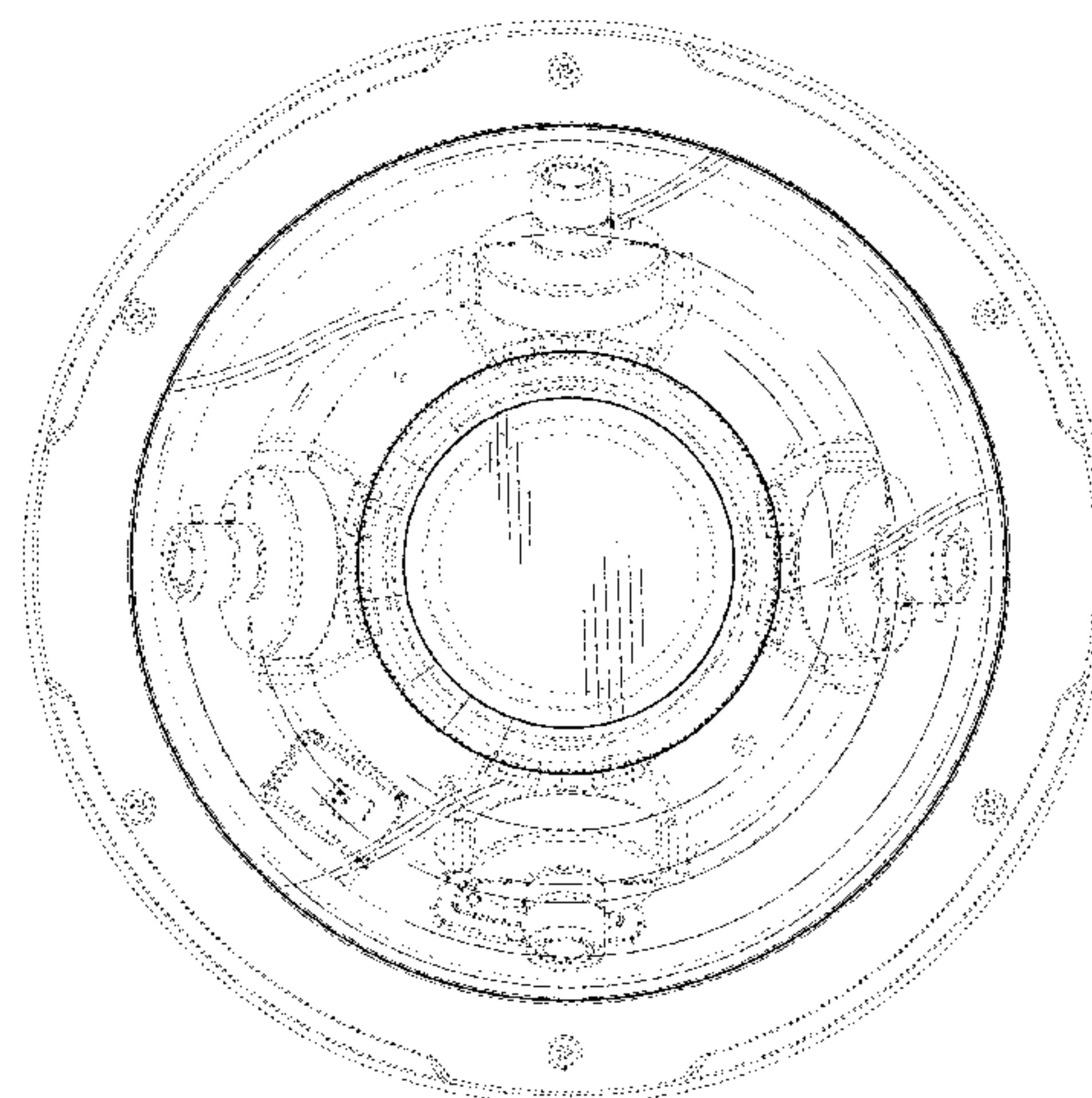
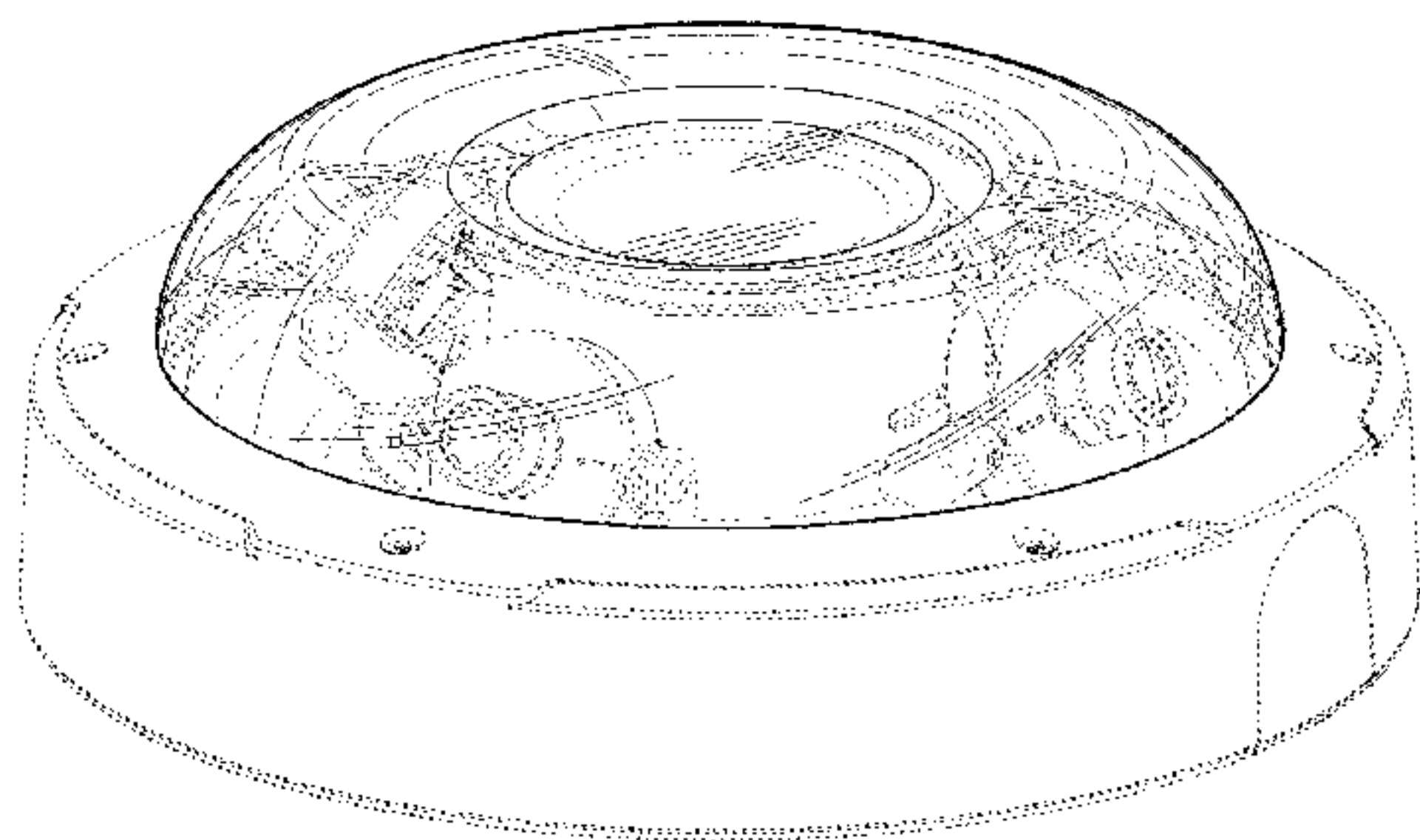
(57) **CLAIM**

The ornamental design for a monitoring camera, as shown and described.

DESCRIPTION

FIG. 1 is a perspective view of a monitoring camera showing our new design;
FIG. 2 is a left side view thereof;
FIG. 3 is a top plan view thereof;
FIG. 4 is a front elevational view thereof;
FIG. 5 is a rear elevational view thereof;
FIG. 6 is a right side view thereof; and,
FIG. 7 is a bottom plan view thereof.
The broken lines depict portions of the monitoring camera that form no part of the claimed design.

1 Claim, 4 Drawing Sheets



Related U.S. Application Data

29/564,737, filed on May 16, 2016, now Pat. No. Des. 811,462.

(30) **Foreign Application Priority Data**

Nov. 16, 2015 (EM) 002861161-0003
 Nov. 16, 2015 (EM) 002861161-0004

(58) **Field of Classification Search**

USPC D10/104.1, 104.2, 106.1, 106.2, 106.5,
 D10/50; D9/548, 549, 428, 781, 782,
 D9/783, 574, 430, 431; D29/109-110,
 D29/122
 CPC H04N 7/181; H04N 7/183; H04N 7/18;
 H04N 5/23248; H04N 5/23287; H04N
 5/23258; H04N 5/2251; H04N 5/2252;
 H04N 2007/145; G01C 11/025; G03B
 15/00; G03B 17/56; G03B 17/02; G03B
 17/30; G03B 17/04; G03B 17/00; G03B
 19/04; G03B 3/00; B60R 1/00; B60R
 2300/105; G08B 13/19619; G08B
 13/1963; G08B 13/19632; F16M 11/04;
 F16M 13/00; Y02E 60/12
 See application file for complete search history.

(56) **References Cited**

U.S. PATENT DOCUMENTS

D91,665 S 3/1934 Kaynor
 D115,971 S 8/1939 Stewart
 D182,672 S 4/1958 Korabowski
 D231,568 S 4/1974 Griffin
 D281,758 S * 12/1985 Trombly D7/391
 D287,208 S 12/1986 Daenen et al.
 D332,810 S * 1/1993 Fujieda D16/201
 D337,271 S 7/1993 Pezzoli et al.
 D350,843 S * 9/1994 VanValkenburg D7/540
 D358,302 S 5/1995 VanValkenburg et al.
 D362,594 S 9/1995 McEntee
 D373,704 S * 9/1996 Doxey D7/391
 D389,597 S 1/1998 Gismondi
 D390,482 S * 2/1998 Pasquarette D10/50
 D416,445 S 11/1999 Henry
 D417,584 S 12/1999 Lillelund et al.
 D447,007 S * 8/2001 Schultz D7/545
 D447,917 S 9/2001 Miller et al.
 D449,630 S 10/2001 Rak et al.
 D462,900 S * 9/2002 Yamada D9/707
 D482,240 S 11/2003 Soohoo et al.
 D486,940 S 2/2004 Yiu
 D491,972 S 6/2004 Heath
 D494,992 S * 8/2004 Seo D16/203
 6,860,654 B1 * 3/2005 Ching-Wen G08B 13/19619
 348/143
 D505,596 S * 5/2005 Tucker D7/629
 D512,417 S 12/2005 Hirakawa et al.
 D527,224 S * 8/2006 Roth D7/540
 D530,525 S 10/2006 Greene, II
 D532,689 S 11/2006 Rotta
 D544,618 S 6/2007 Coushaine
 D550,077 S * 9/2007 Lagreca D9/428
 D554,682 S 11/2007 Martinez et al.
 D558,513 S 1/2008 Scholze et al.
 D560,247 S * 1/2008 Alm D16/203
 D568,830 S 5/2008 Park et al.
 D574,661 S 8/2008 Logan
 D575,318 S * 8/2008 Dean D16/203
 D581,081 S 11/2008 Mier-Langner
 D583,981 S 12/2008 Meyer et al.
 7,534,057 B2 5/2009 Jones et al.
 D606,404 S 12/2009 Diss
 D617,035 S 6/2010 Sabernig

D617,039 S 6/2010 Sabernig
 D619,755 S 7/2010 Lai et al.
 D628,737 S 12/2010 van den Akker
 D632,599 S 2/2011 Tupinier
 D633,231 S 2/2011 Morrison
 D634,660 S * 3/2011 Sahibzada D10/106.2
 D642,722 S * 8/2011 Oberpriller D26/67
 D643,286 S * 8/2011 Zomorodi D9/429
 D645,191 S 9/2011 Krause
 8,011,205 B2 9/2011 Roth et al.
 D647,227 S 10/2011 Kaule et al.
 D654,617 S 2/2012 Marquardt et al.
 D657,410 S * 4/2012 Helaoui D16/203
 D661,213 S 6/2012 Hojmose
 D662,648 S 6/2012 Whiting et al.
 D662,766 S * 7/2012 Smyers D7/391
 D664,698 S 7/2012 Meise et al.
 D666,353 S 8/2012 Lin et al.
 D673,704 S 1/2013 Davies
 D679,618 S * 4/2013 Dumas D10/104.2
 D683,251 S 5/2013 Dumas et al.
 D694,306 S 11/2013 Katori et al.
 D694,463 S 11/2013 Sieczkowski
 D695,111 S 12/2013 Hansen et al.
 D698,670 S 2/2014 Luo et al.
 D707,578 S * 6/2014 Carr D10/106.1
 D710,696 S * 8/2014 Kwon D7/392.1
 D712,963 S 9/2014 Fleet
 D719,600 S * 12/2014 Katori D16/203
 D721,755 S * 1/2015 Åhman D16/203
 D725,088 S 3/2015 Kwak et al.
 D726,800 S 4/2015 Dahlqvist et al.
 D740,874 S * 10/2015 Ahman D16/203
 D742,041 S 10/2015 Garcia et al.
 D743,382 S 11/2015 Katori
 D745,587 S 12/2015 Leung et al.
 D745,916 S 12/2015 Oh
 D747,509 S 1/2016 Liang
 D750,683 S 3/2016 Bergstrom et al.
 D756,828 S * 5/2016 Wettre D10/106.5
 D758,470 S 6/2016 Kircher et al.
 9,438,782 B2 9/2016 Donaldson
 D771,600 S 11/2016 Hinokio et al.
 D773,330 S * 12/2016 Dietz D10/106.5
 D775,319 S 12/2016 Park et al.
 D775,957 S 1/2017 Hunt et al.
 D776,323 S 1/2017 Oh
 D777,235 S 1/2017 Jang et al.
 D777,367 S 1/2017 Ma
 D784,259 S * 4/2017 Huang D13/108
 D784,963 S 4/2017 Saule et al.
 D786,725 S * 5/2017 McCormick D10/106.5
 D787,741 S * 5/2017 Paquet D28/7
 D789,373 S 6/2017 King
 D790,738 S 6/2017 Bello et al.
 D791,849 S * 7/2017 Zhang D16/203
 D795,058 S * 8/2017 Buck D9/428
 D796,355 S * 9/2017 Cho D10/70
 D798,934 S 10/2017 Wu
 D801,406 S 10/2017 Jeong et al.
 D801,407 S 10/2017 Kullgren et al.
 D803,926 S 11/2017 Katori et al.
 D810,804 S 2/2018 Borel et al.
 D811,462 S 2/2018 Axelsson et al.
 D813,926 S 3/2018 Shin
 D814,544 S 4/2018 Moon et al.
 D815,926 S * 4/2018 Lee D7/682
 D816,142 S 4/2018 Ye Song
 D816,755 S * 5/2018 Barnekow D16/203
 D817,378 S * 5/2018 Persson D16/203
 2004/0047623 A1 * 3/2004 Top G08B 13/19619
 396/427
 2005/0263785 A1 12/2005 Kim et al.
 2006/0109374 A1 * 5/2006 Cheng H04N 5/2252
 348/373
 2007/0127912 A1 * 6/2007 Jones F16M 11/10
 396/428
 2007/0274706 A1 * 11/2007 Cheng G03B 17/00
 396/427

(56)

References Cited

U.S. PATENT DOCUMENTS

2011/0019074 A1* 1/2011 Lee H04N 5/2251
 348/373
 2015/0358538 A1 12/2015 Donaldson
 2015/0381858 A1* 12/2015 Sterngren F16H 57/12
 348/143
 2016/0323504 A1* 11/2016 Ono H04N 5/2259
 2017/0104908 A1* 4/2017 Mukai H04N 5/2259
 2017/0255083 A1* 9/2017 Donaldson G03B 17/02
 2017/0299949 A1* 10/2017 Donaldson G03B 17/02

FOREIGN PATENT DOCUMENTS

EM 002861161-0004 4/2016
 EP 002861161-0003 * 4/2016
 EP 002861161-0004 * 4/2016
 KR 3009004680001 * 3/2017

KR 3009004680002 * 3/2017
 KR 3009004680003 * 3/2017
 KR 3009004680004 * 3/2017
 TW D141836 8/2011

OTHER PUBLICATIONS

Fixed Dome Cameras, no date available, [site visited: Mar. 29, 2017], Available from Internet URL: <<https://www.axis.com/be/nl/products/fixed-dome-cameras>>.
 Arecont Vision®, Surround Video® Omni IP Cameras, All0in-One Omni-Directional User-Configurable Indoor/Outdoor Multi-Sensor Cameras 12-20 Megapixels, H.264/MJPEG, WDR, Day/Night (2015). AXIS P3707-PF—Flexible 360-degree multisensor camera, published May 26, 2016 [online], [retrieved Jun. 5, 2018], Available from Internet, URL: <<https://www.youtube.com/watch?v=r19mFXD-y9U>> at approximately 0.13.

* cited by examiner

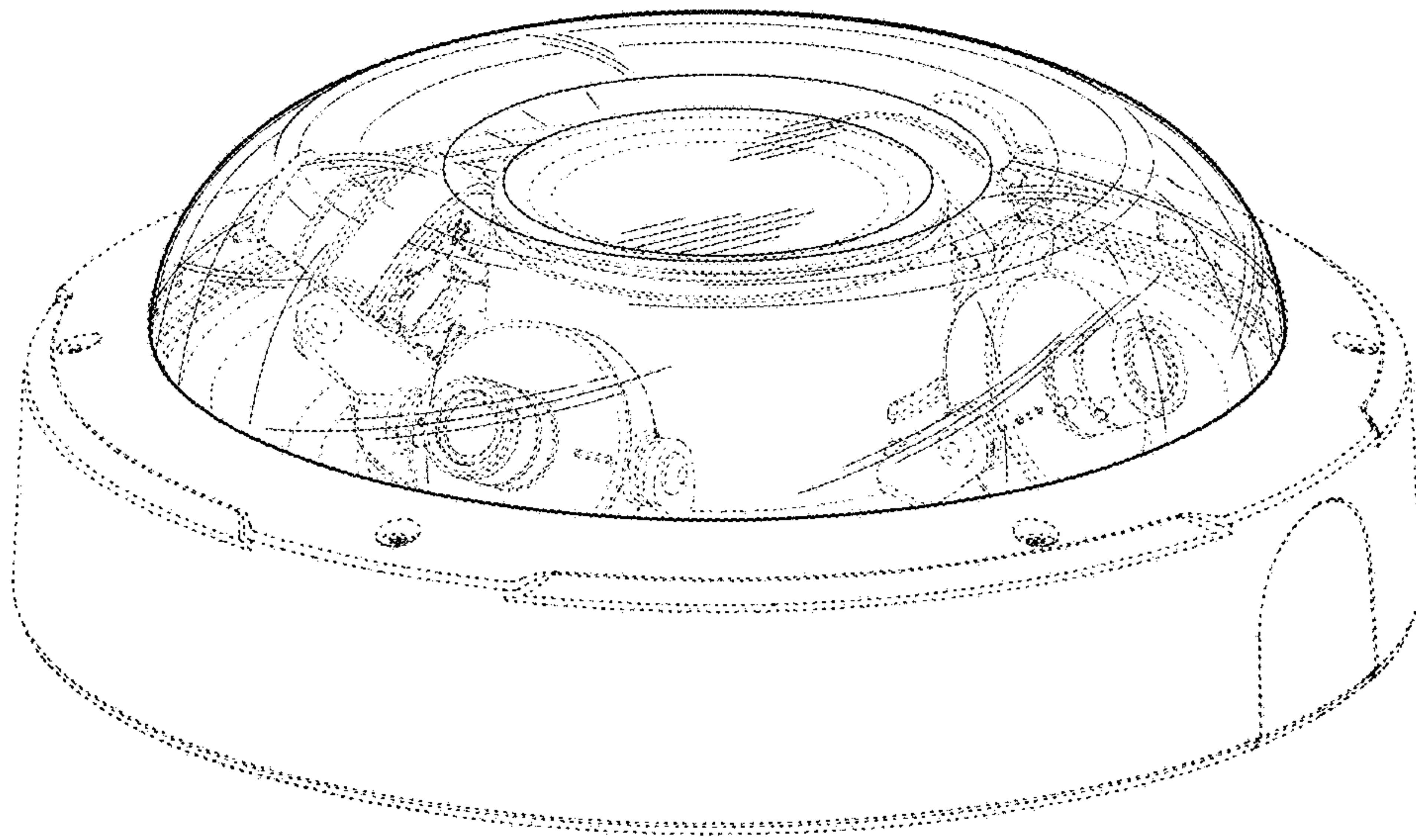


Fig. 1

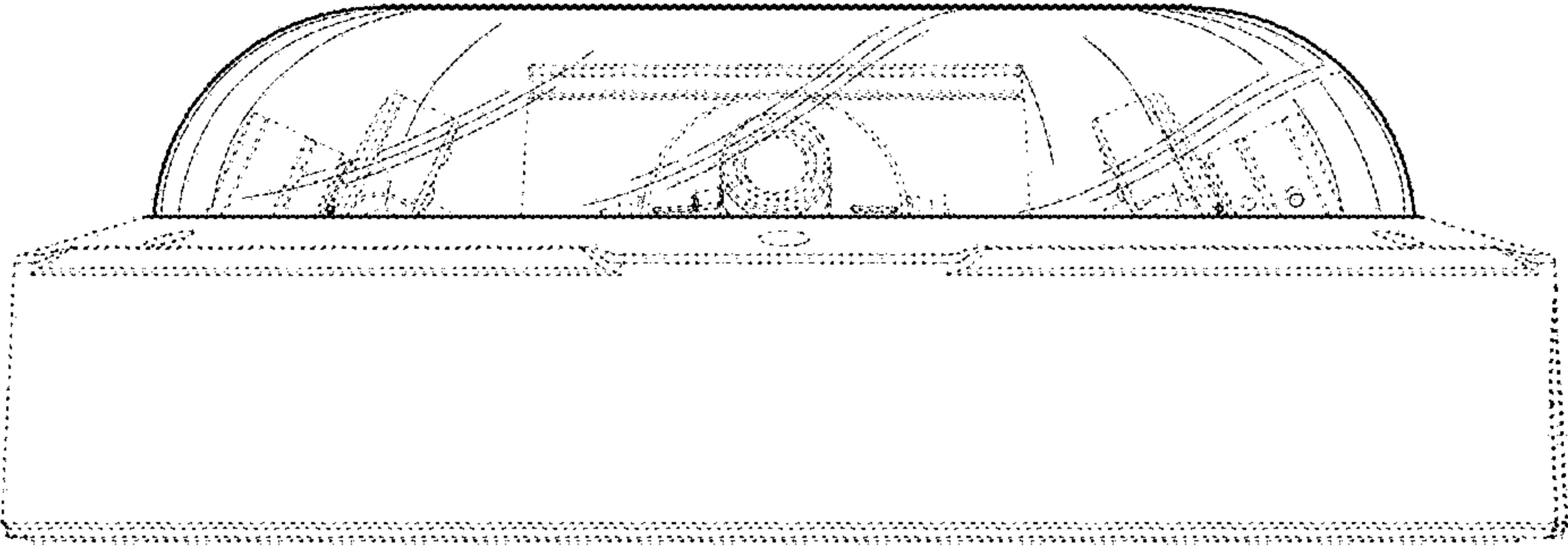


Fig. 2

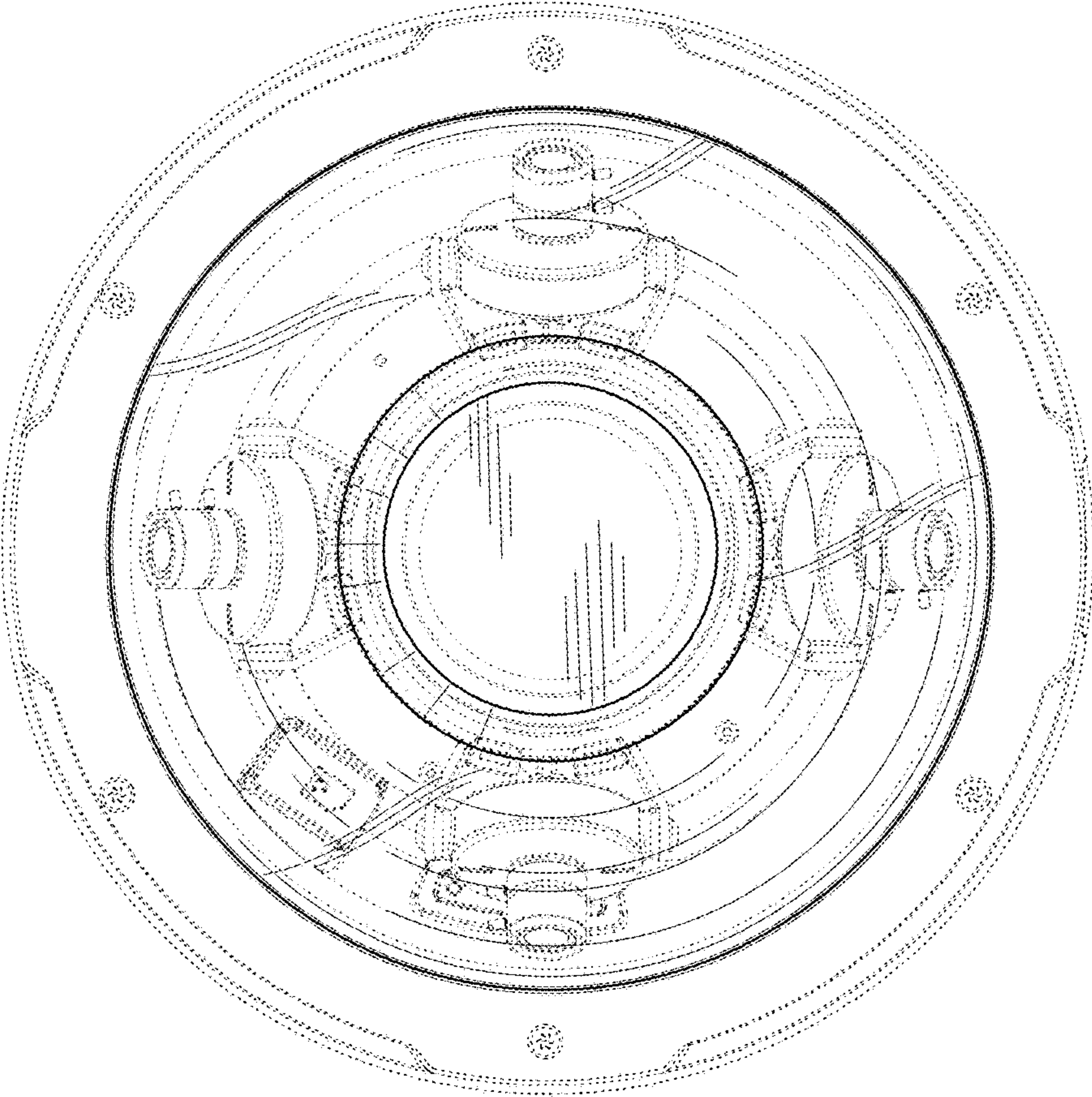


Fig. 3

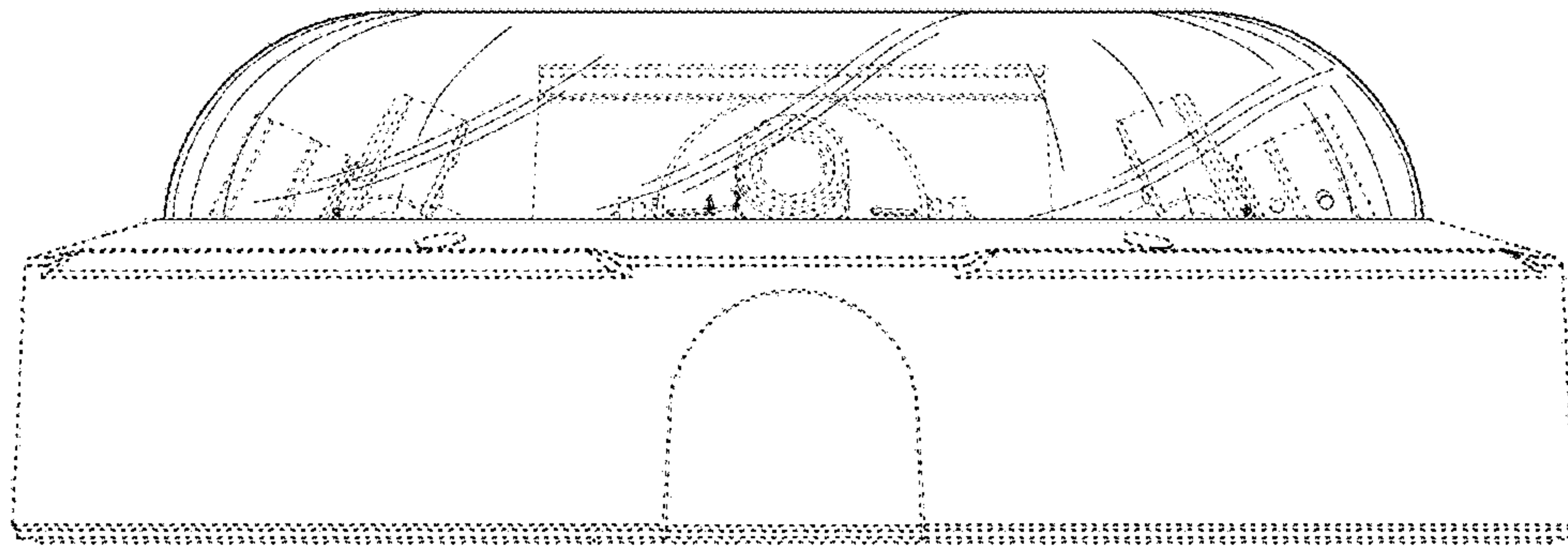


Fig. 4

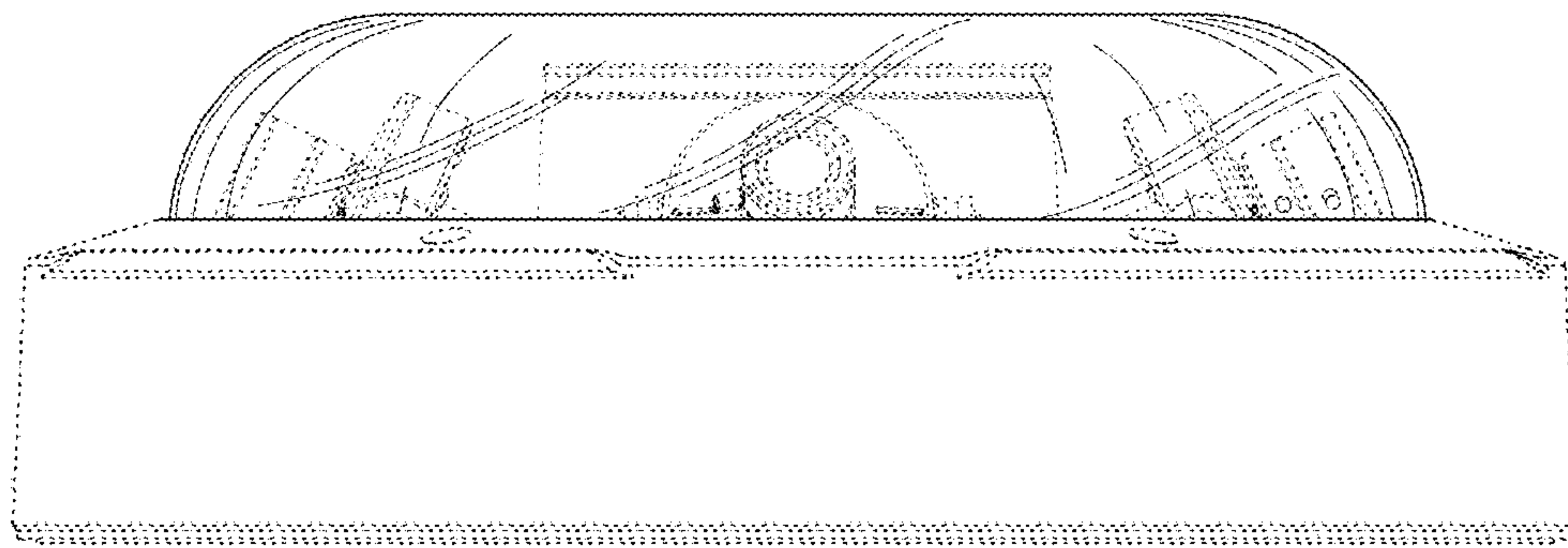


Fig. 5

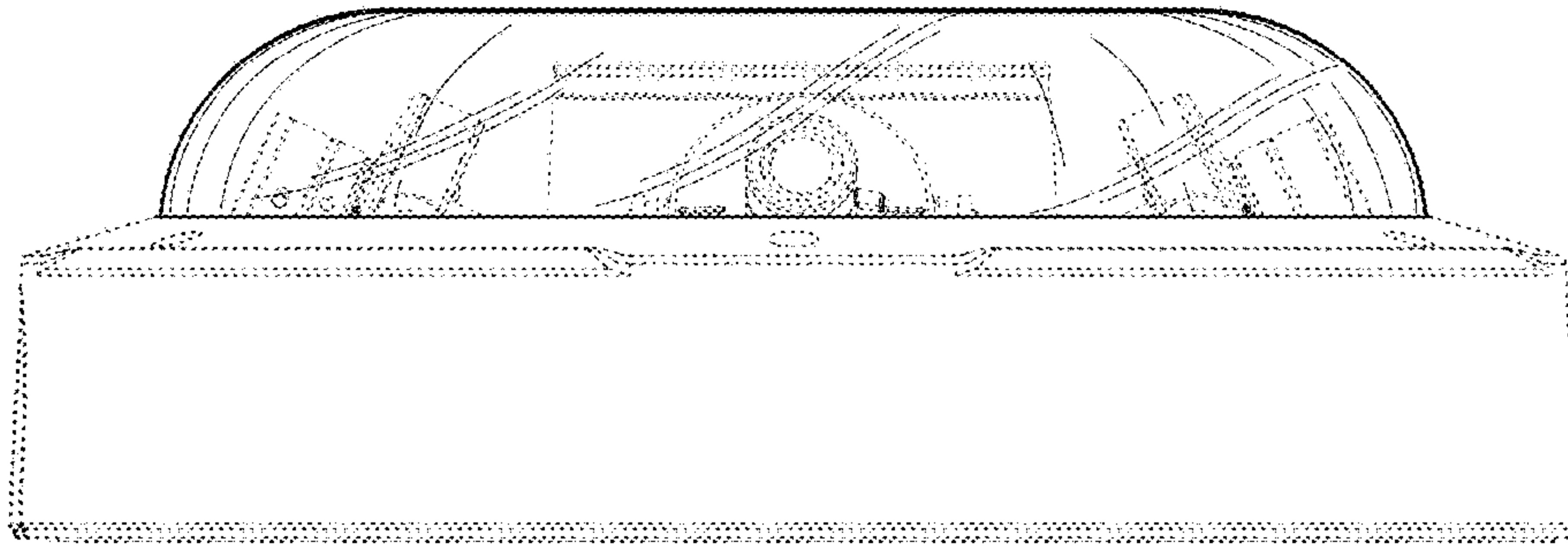


Fig. 6

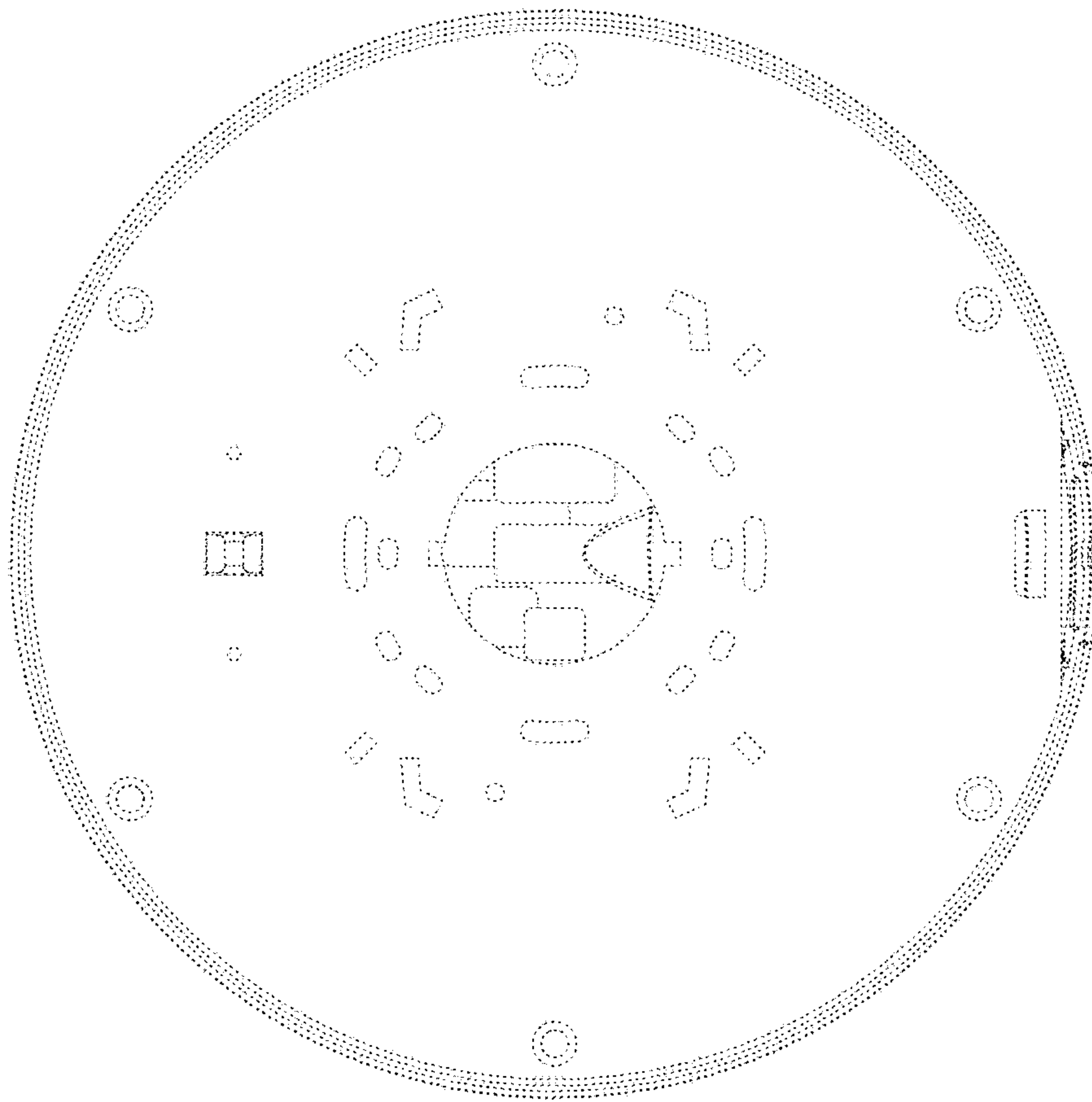


Fig. 7