



US00D829258S

(12) **United States Design Patent** (10) **Patent No.:** **US D829,258 S**
Ive et al. (45) **Date of Patent:** **** Sep. 25, 2018**

(54) **CAMERA**

(71) Applicants: **Jonathan P. Ive**, San Francisco, CA
(US); **Marc A. Newson**, London (GB)

(72) Inventors: **Jonathan P. Ive**, San Francisco, CA
(US); **Marc A. Newson**, London (GB)

(**) Term: **15 Years**

(21) Appl. No.: **29/533,637**

(22) Filed: **Jul. 20, 2015**

Related U.S. Application Data

(63) Continuation of application No. 29/469,267, filed on
Oct. 8, 2013, now Pat. No. Des. 734,800.

(51) **LOC (11) Cl.** **16-01**

(52) **U.S. Cl.**
USPC **D16/202**

(58) **Field of Classification Search**
USPC D16/200, 202–206, 208–209, 218, 219,
D16/242; 348/373–376; 396/535,
396/539–541

CPC G03B 15/03; G03B 17/02; G03B 17/04;
G03B 17/56; G03B 19/04; H04N 5/2251;
H04N 5/2252; H04N 5/2253; H04N
5/2254; H04N 2101/00

See application file for complete search history.

(56) **References Cited**

U.S. PATENT DOCUMENTS

D469,456 S 1/2003 Nakamura et al.
D479,547 S 9/2003 Nagayama
D525,639 S 7/2006 Nakamura
D537,093 S 2/2007 Nakamura
D537,460 S 2/2007 Nakamura et al.
D550,736 S 9/2007 Sakai
D555,688 S 11/2007 Yoo et al.
D556,802 S 12/2007 Katayama
D559,292 S 1/2008 Imai
D597,576 S 8/2009 Kim et al.

D603,886 S 11/2009 Sakai
D692,044 S * 10/2013 Uemachi D16/219
D697,959 S 1/2014 Imai
D698,848 S * 2/2014 Uemachi D16/219
(Continued)

OTHER PUBLICATIONS

U.S. Appl. No. 29/530,717, filed Jun. 18, 2015.
(Continued)

Primary Examiner — Philip S Hyder

Assistant Examiner — Ramzi S Almatrahi

(74) *Attorney, Agent, or Firm* — Sterne, Kessler,
Goldstein, Fox P.L.L.C.

(57) **CLAIM**

The ornamental design for a camera, as shown and
described.

DESCRIPTION

FIG. 1 is a top front perspective view of a first embodiment
of a camera showing our new design;

FIG. 2 is a front view thereof;

FIG. 3 is a rear view thereof;

FIG. 4 is a left side view thereof;

FIG. 5 is a right side view thereof;

FIG. 6 is a top view thereof;

FIG. 7 is a bottom view thereof;

FIG. 8 is a top front perspective view of a second embodi-
ment of a camera showing our new design;

FIG. 9 is a front view thereof;

FIG. 10 is a rear view thereof;

FIG. 11 is a left side view thereof;

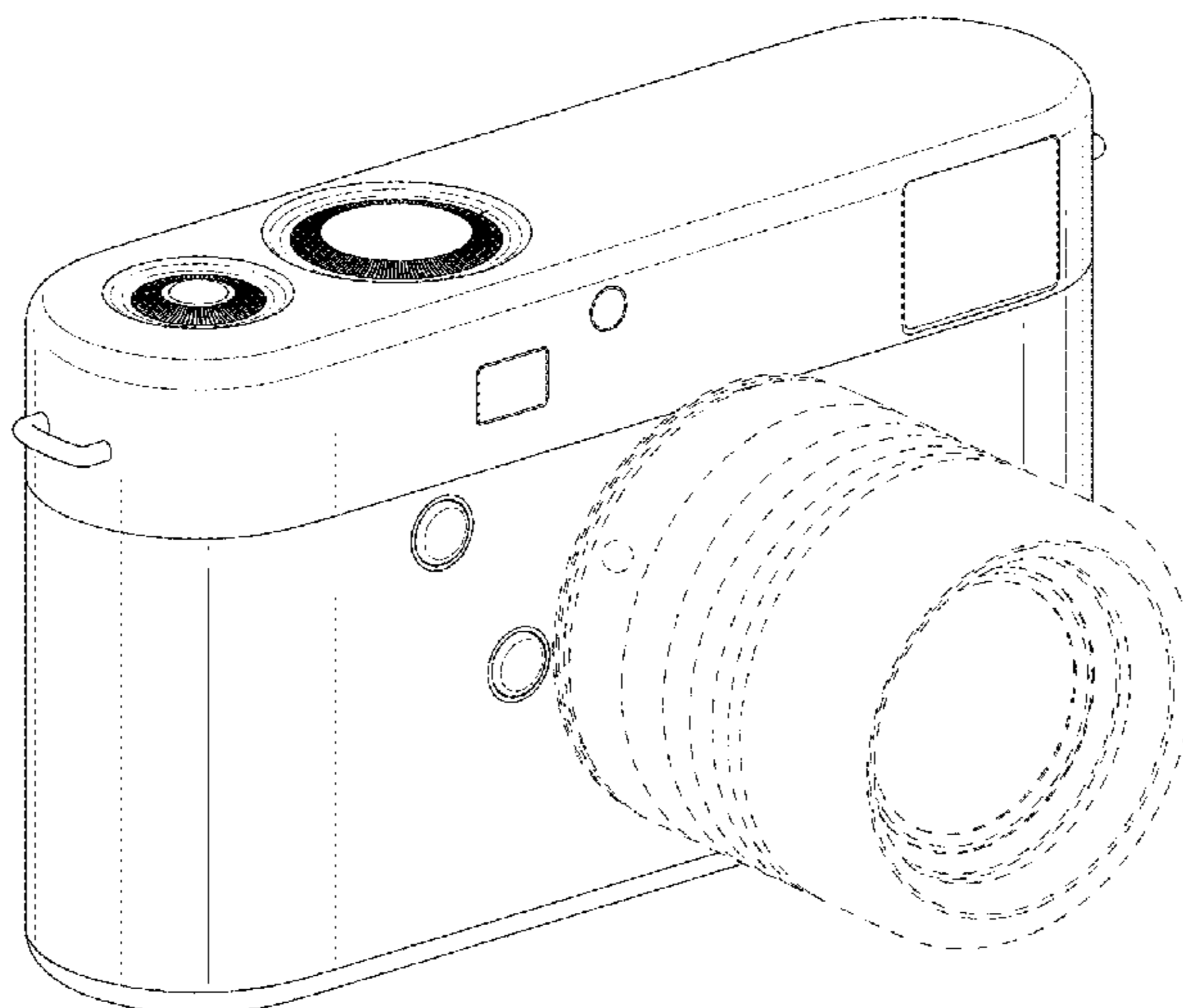
FIG. 12 is a right side view thereof;

FIG. 13 is a top view thereof; and,

FIG. 14 is a bottom view thereof.

The broken lines in the figures show portions of the camera
that form no part of the claimed design.

1 Claim, 14 Drawing Sheets



(56)

References Cited

U.S. PATENT DOCUMENTS

D702,748 S	4/2014	Muraki et al.	
D721,751 S *	1/2015	Fujita	D16/202
D729,297 S *	5/2015	Ikegame	D16/202
D732,595 S	6/2015	Ive et al.	
D734,800 S *	7/2015	Ive	D16/202
D745,075 S *	12/2015	Ive	D16/202
D755,877 S *	5/2016	Uemachi	D16/219

OTHER PUBLICATIONS

U.S. Appl. No. 29/530,718, filed Jun. 18, 2015.
 Leica Camera AG, "Leica M Monochrom," accessed at http://us.leica-camera.com/photography/m_system/m_monochrom/, accessed on Apr. 10, 2014, 2 pages.
 Leica Camera AG, "Leica M," accessed at http://us.leica-camera.com/photography/m_system/m_new/, accessed on Apr. 10, 2014, 3 pages.
 Leica Camera AG, "Leica M7," accessed at http://us.leica-camera.com/photography/m_system/m7/, accessed on Apr. 10, 2014, 2 pages.
 Leica Camera AG, "The Leica M9 and M9-P," accessed at [\[us.leica-camera.com/photography/m_system/m9/\]\(http://us.leica-camera.com/photography/m_system/m9/\), accessed on Apr. 10, 2014, 2 pages.
 Leica Camera AG, "Leica M9-P 'Edition Hermes,'" accessed at \[http://us.leica-camera.com/photography/special_editions/m9_edition_hermes/\]\(http://us.leica-camera.com/photography/special_editions/m9_edition_hermes/\), accessed on Apr. 10, 2014, 2 pages.
 Leica Camera AG, "Leica M-E," accessed at \[http://us.leica-camera.com/photography/m_system/m-e/\]\(http://us.leica-camera.com/photography/m_system/m-e/\), accessed on Apr. 10, 2014, 2 pages.
 Leica Camera AG, "Leica MP," accessed at \[http://us.leica-camera.com/photography/m_system/mp/\]\(http://us.leica-camera.com/photography/m_system/mp/\), accessed on Apr. 10, 2014, 1 page.
 Leica Camera AG, "X a la carte," accessed at \[http://us.leica-camera.com/photography/compact_cameras_x_a_la_carte/\]\(http://us.leica-camera.com/photography/compact_cameras_x_a_la_carte/\), accessed on Apr. 10, 2014, 2 pages.
 Leica Camera AG, "Leica X2 Edition Paul Smith," accessed at \[http://us.leica-camera.com/compact_cameras_x2-edition_paul_smith/\]\(http://us.leica-camera.com/compact_cameras_x2-edition_paul_smith/\), accessed on Apr. 10, 2014, 2 pages.
 Leica Camera AG, "Leica X2," accessed at \[http://us.leica-camera.com/photography/compact_cameras/x2/\]\(http://us.leica-camera.com/photography/compact_cameras/x2/\), accessed on Apr. 10, 2014, 2 pages.
 Crisp, Simon, "Leica reveals the Leica M and the stripped back M-E," accessed at <http://www.gizmag.com/leica-m-and-m-e/24247/>, dated Sep. 23, 2012, 6 pages.](http://</p>
</div>
<div data-bbox=)

* cited by examiner

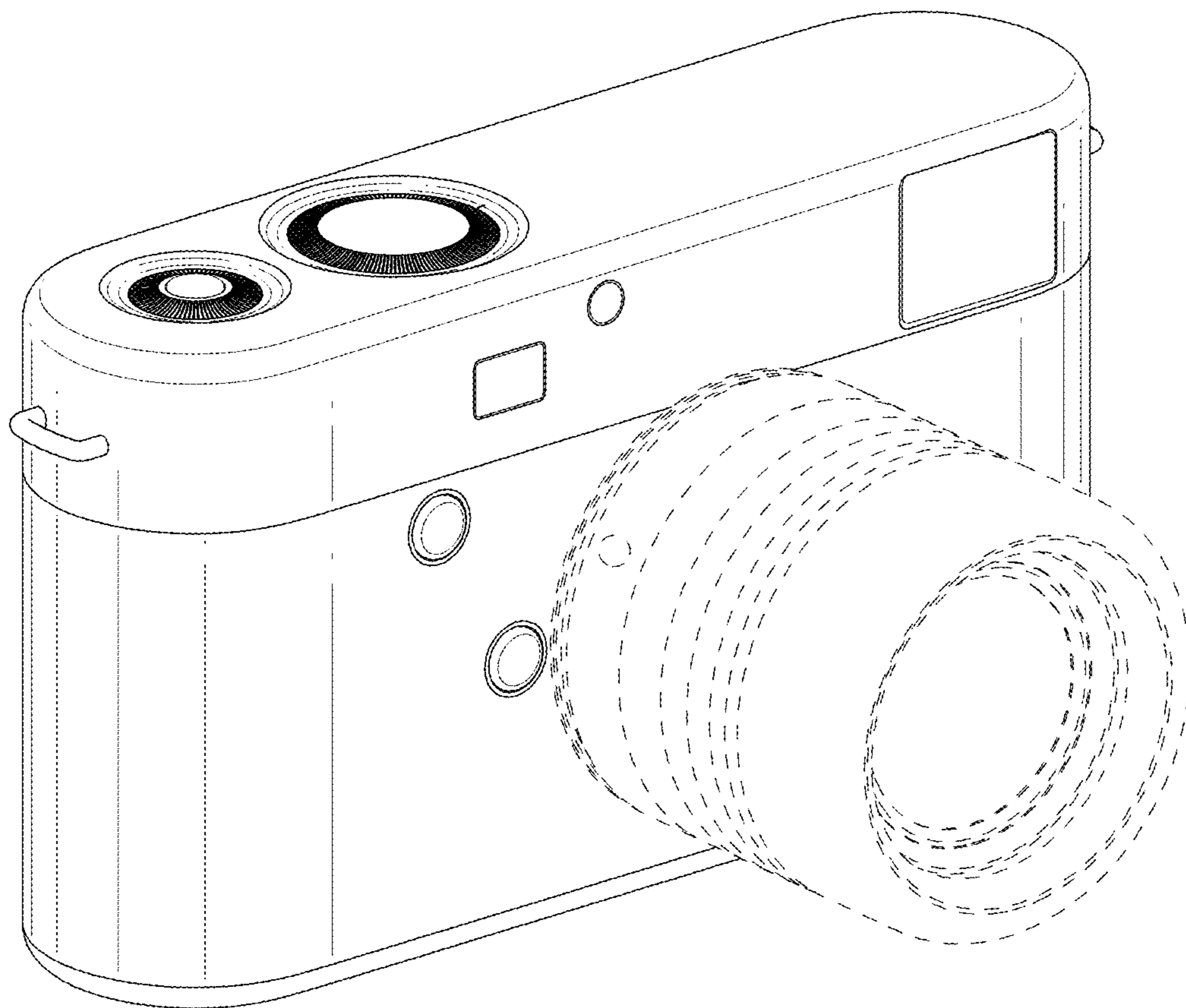


FIG. 1

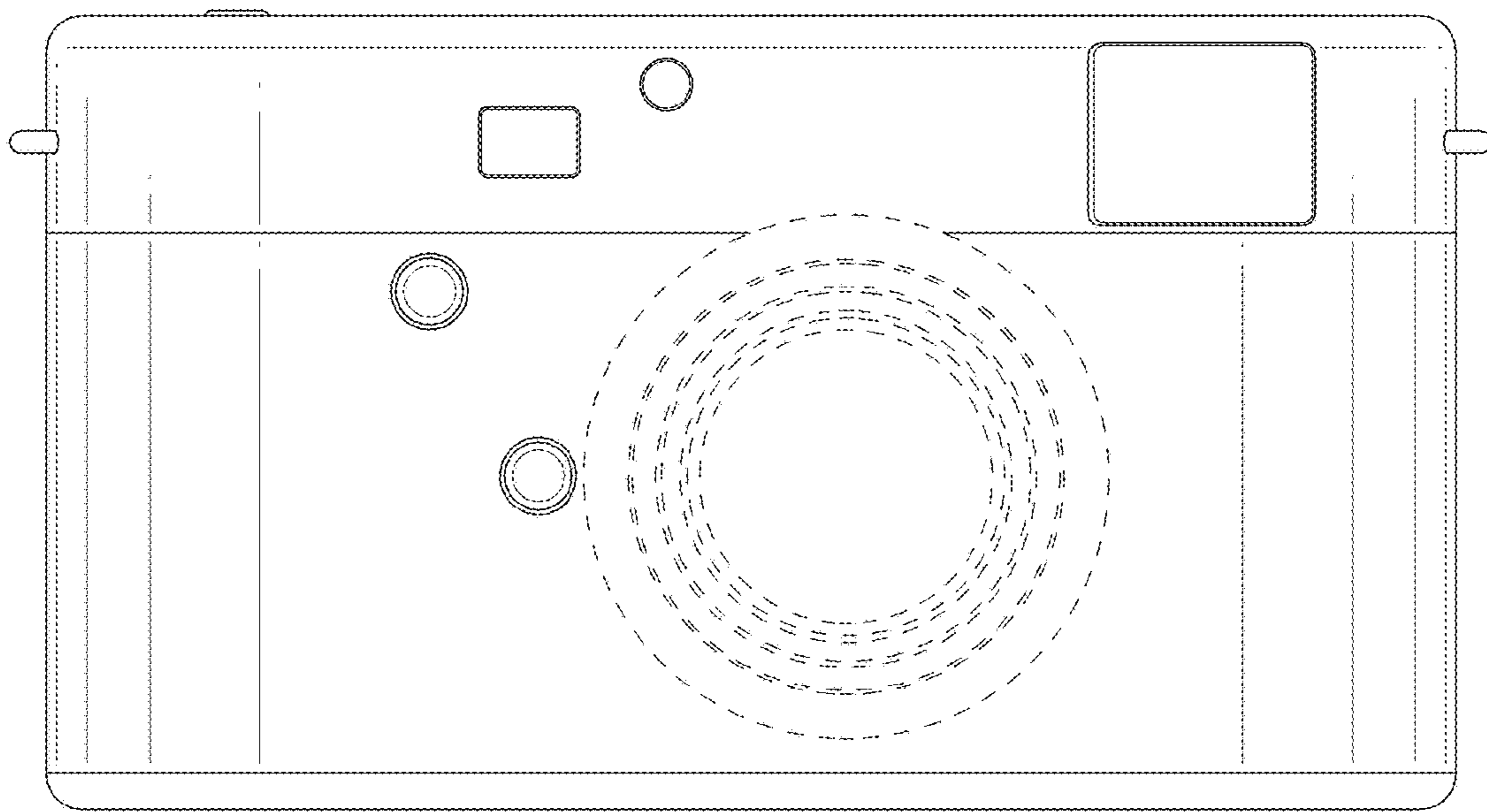


FIG. 2

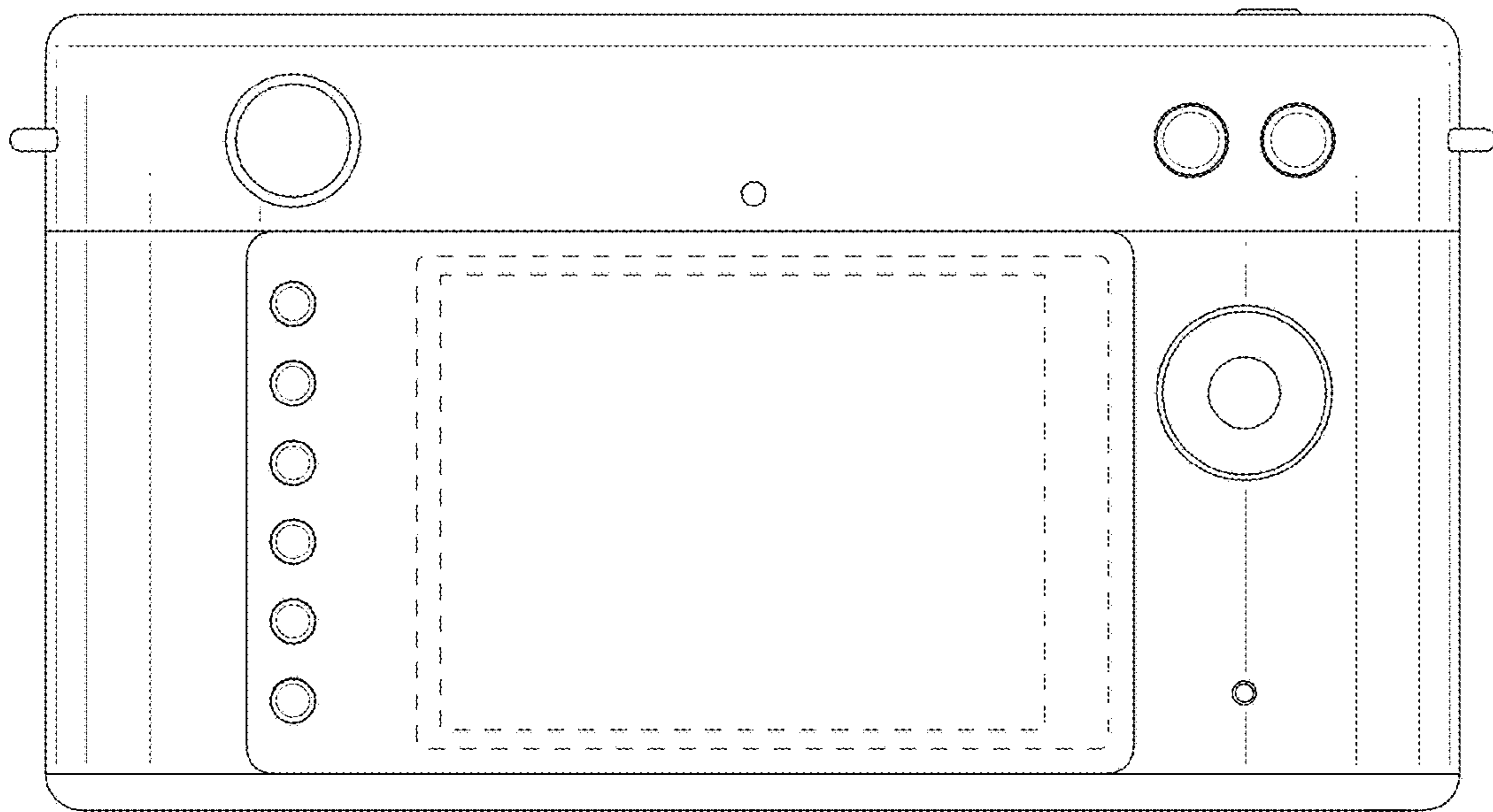


FIG. 3

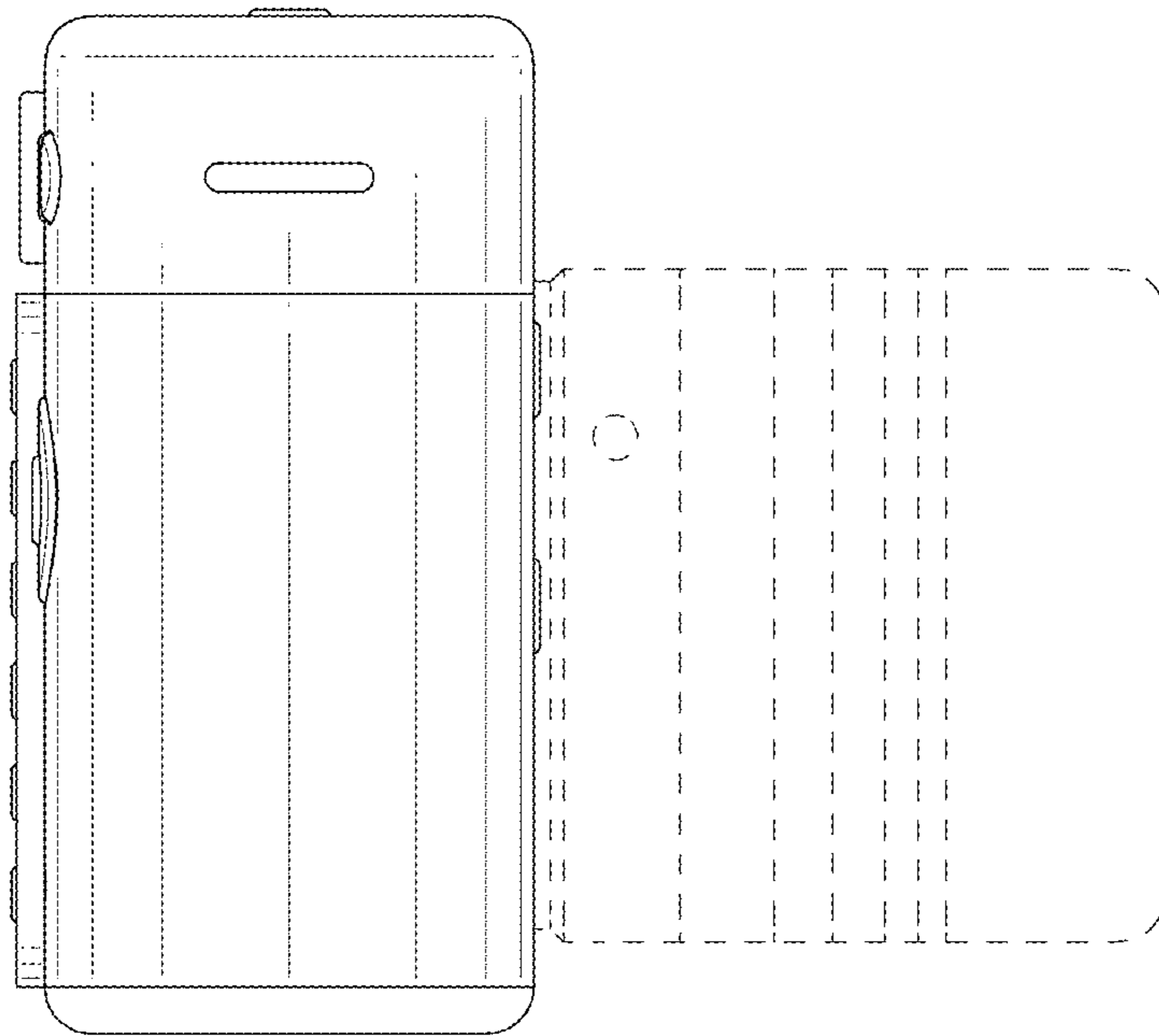


FIG. 4

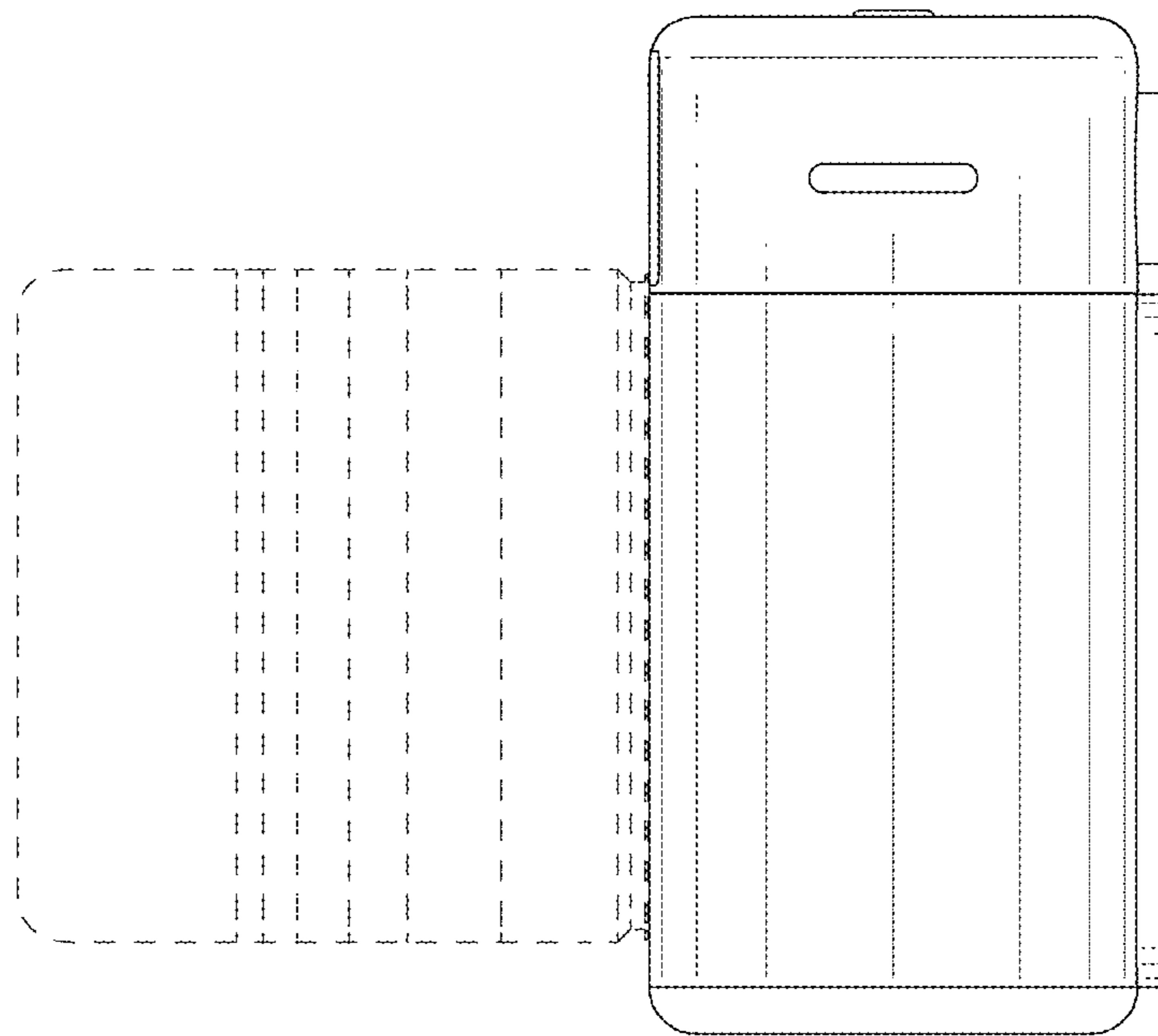


FIG. 5

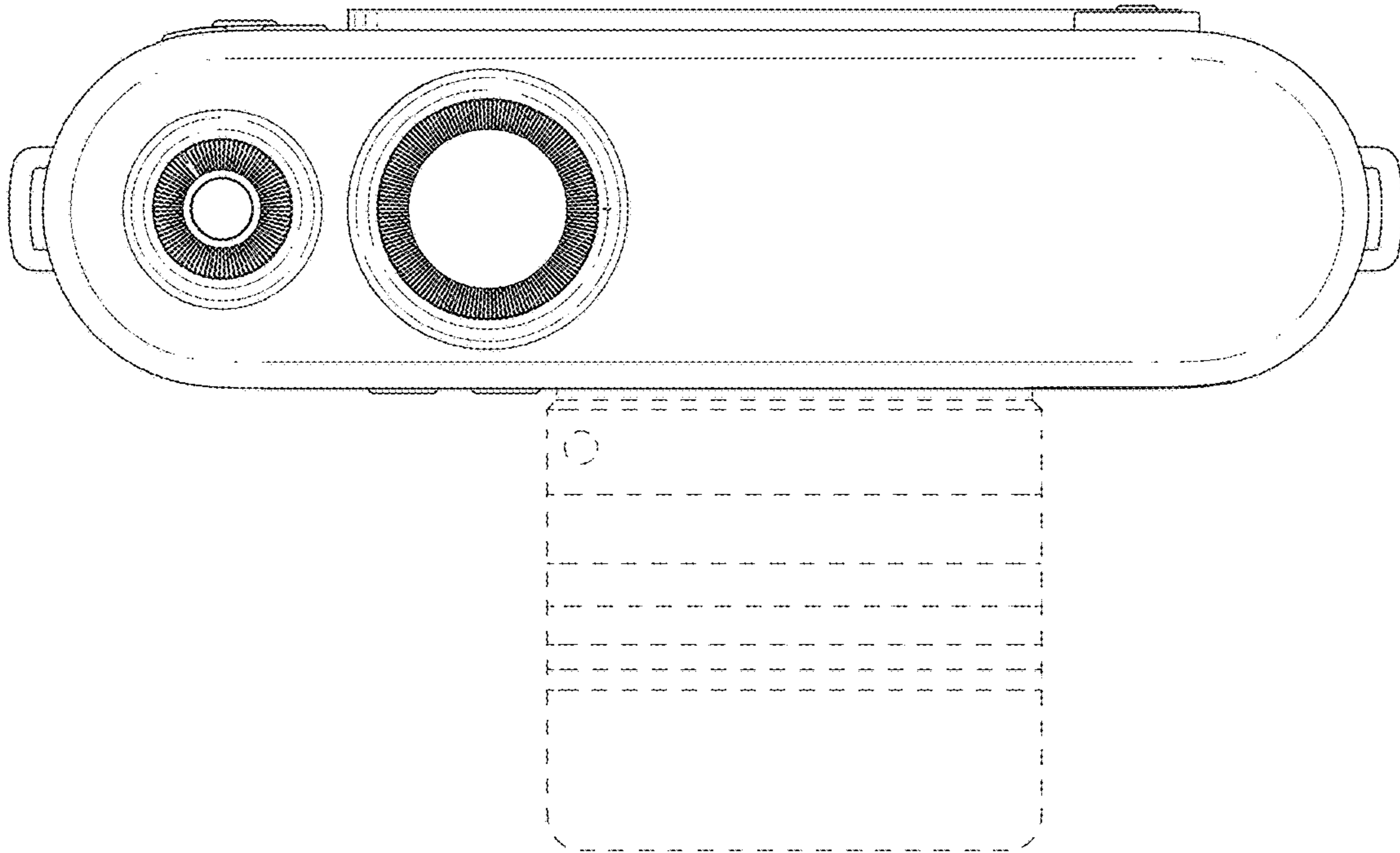


FIG. 6

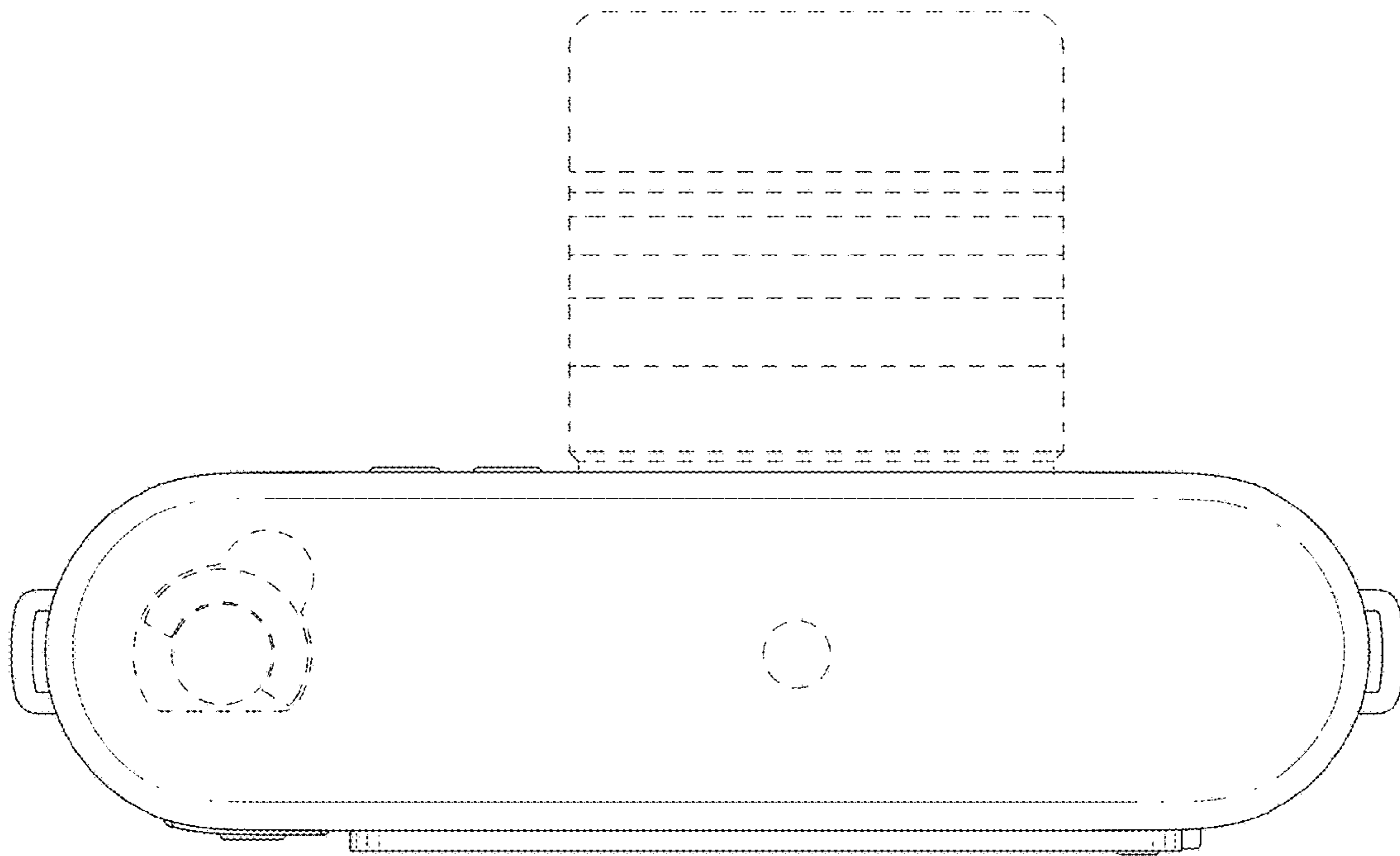


FIG. 7

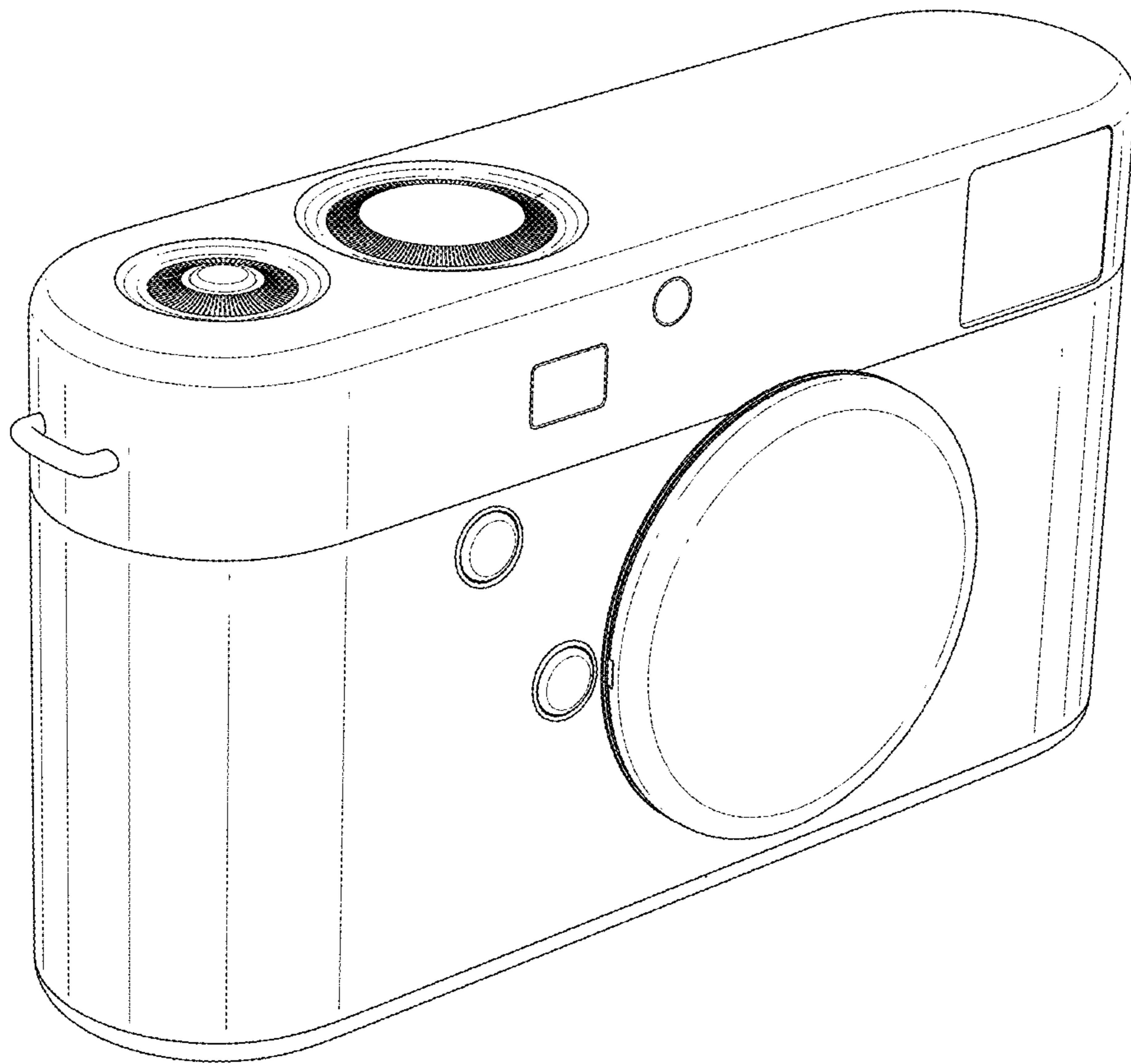


FIG. 8

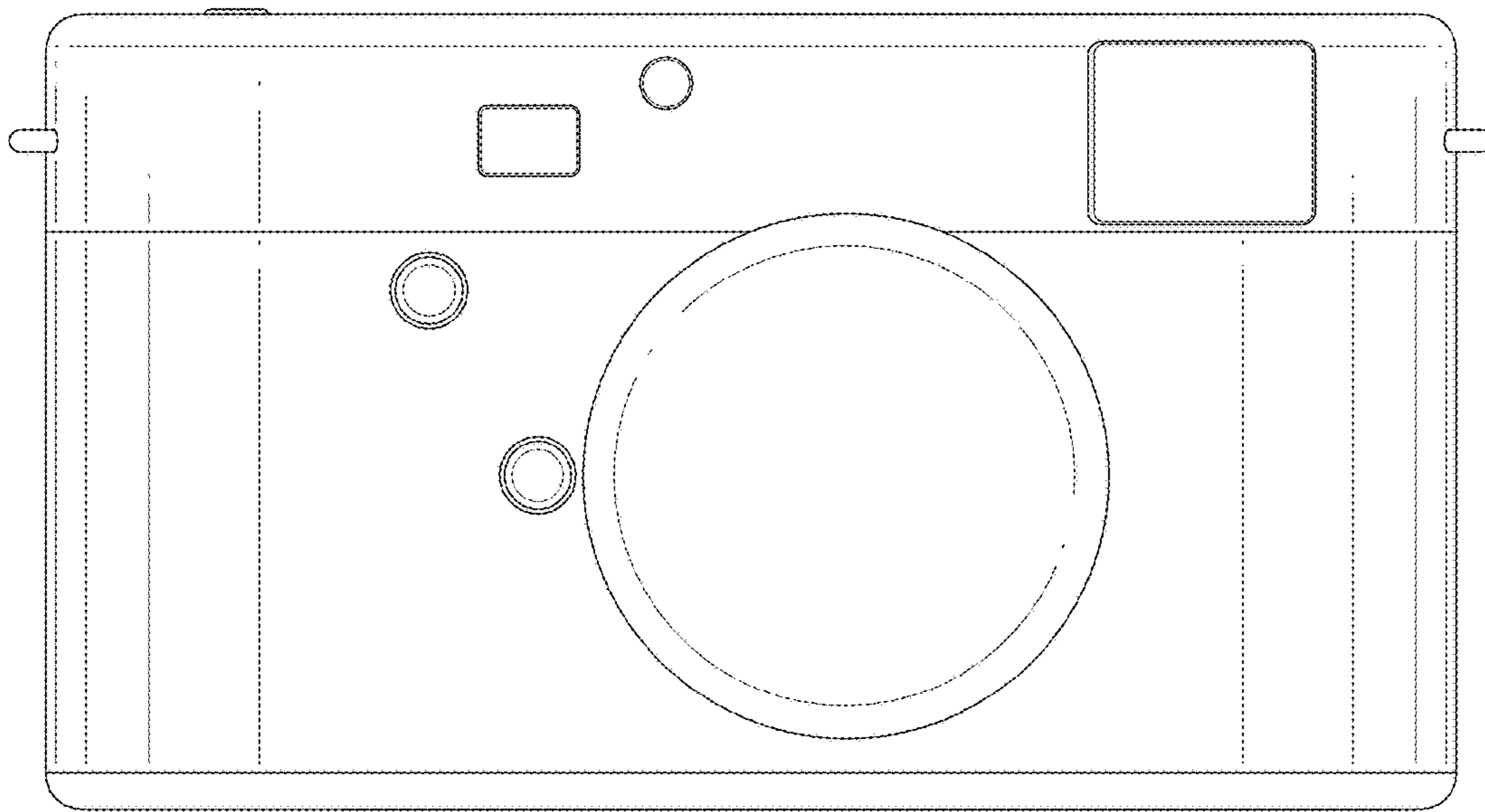


FIG. 9

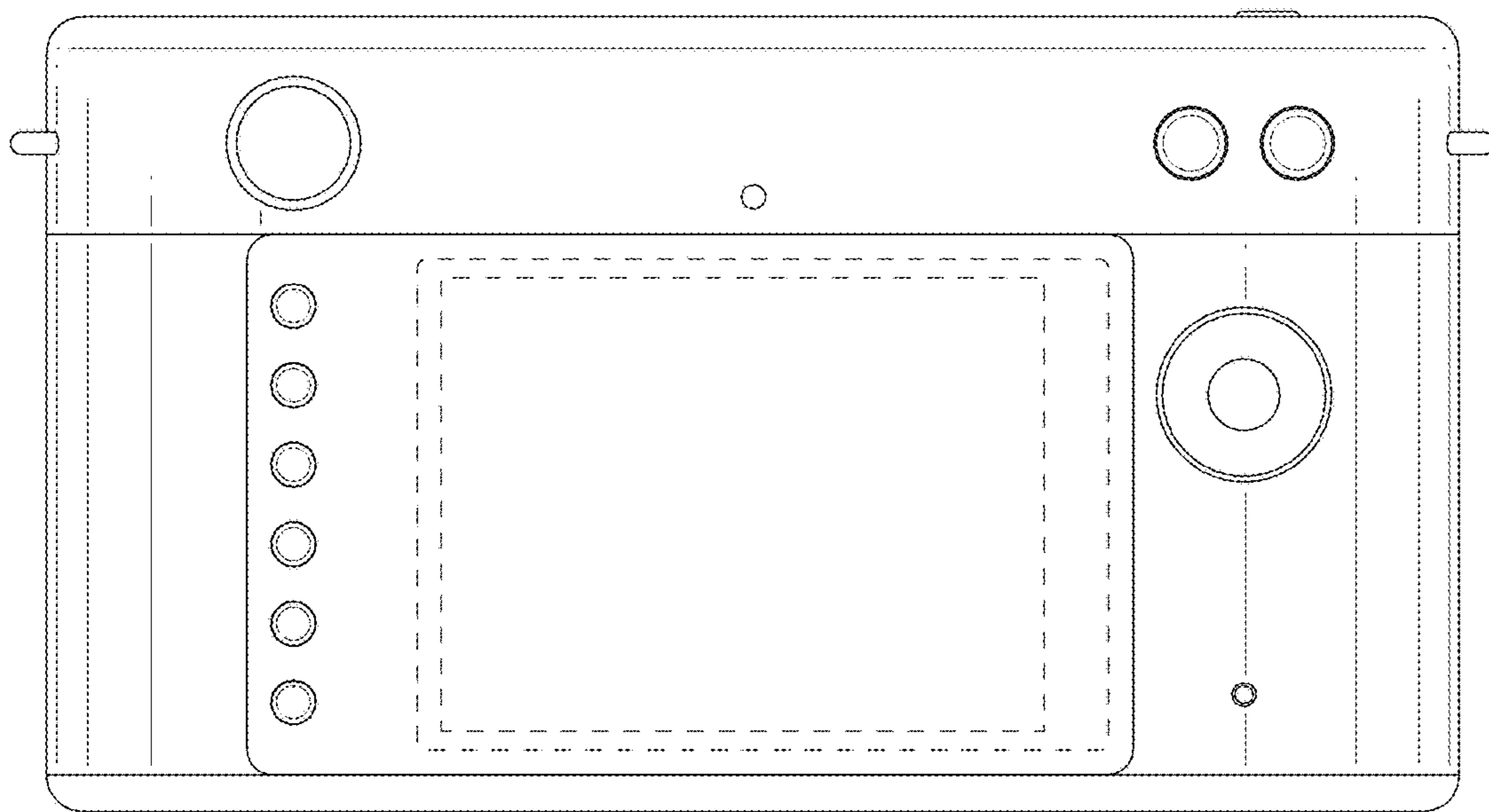


FIG. 10

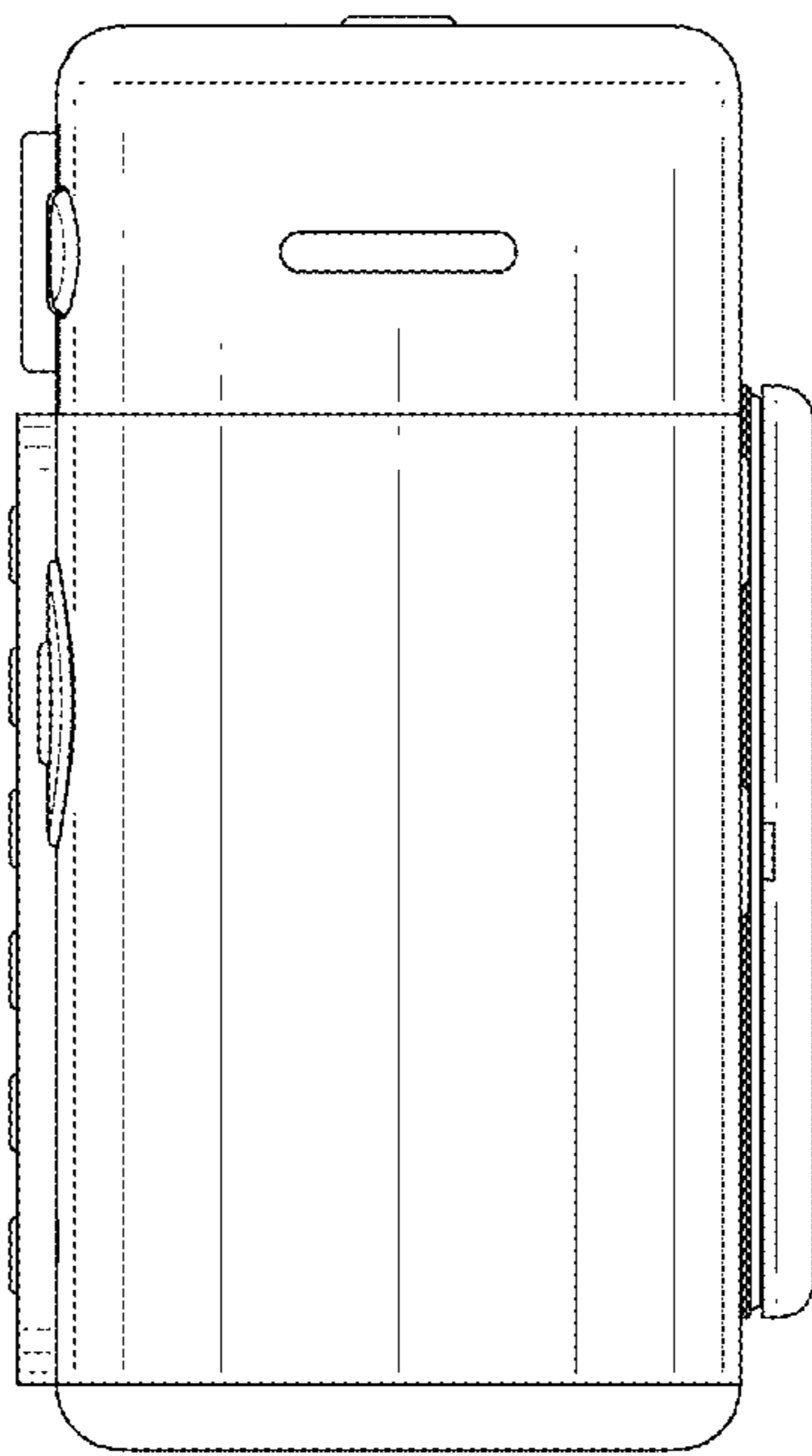


FIG. 11

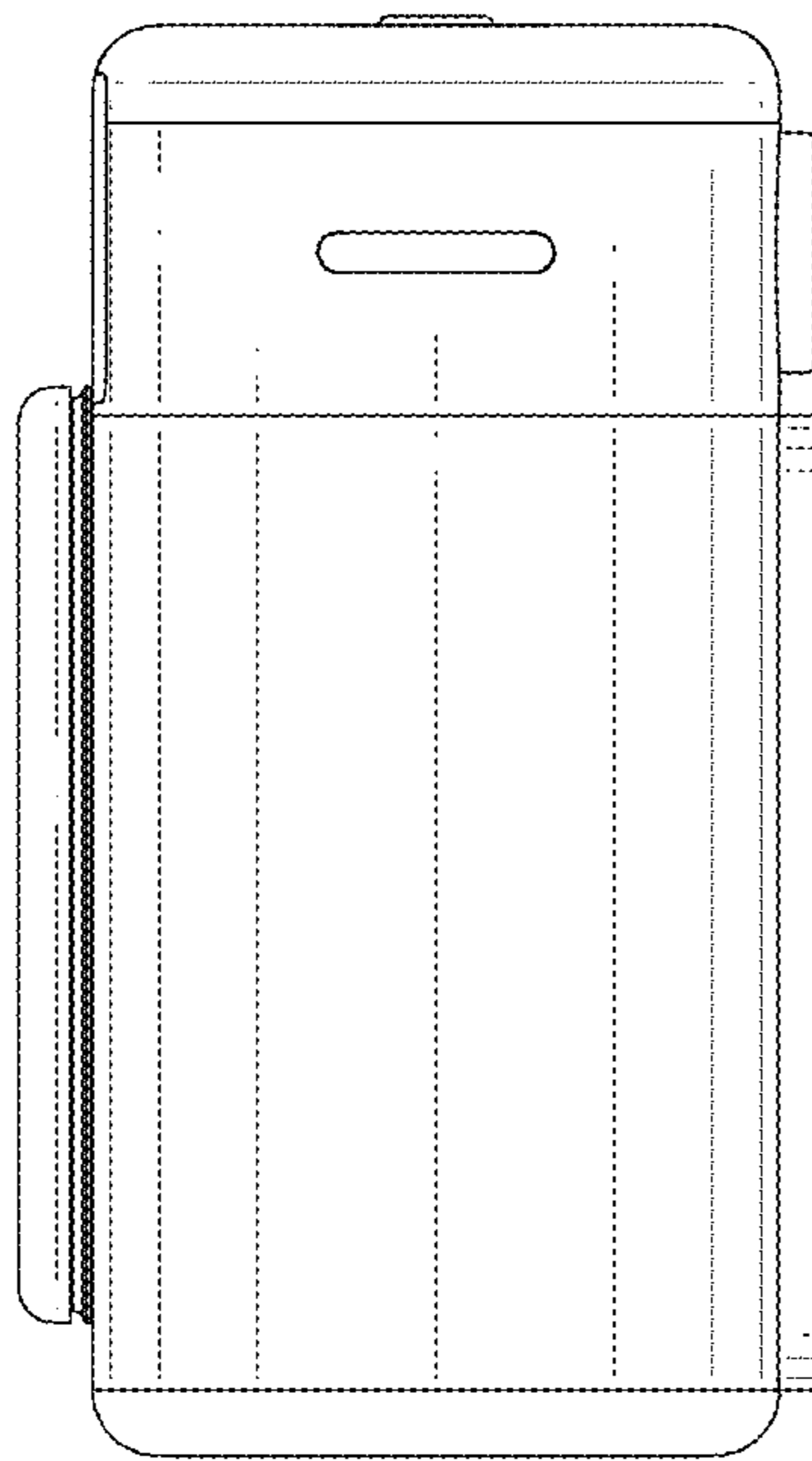


FIG. 12

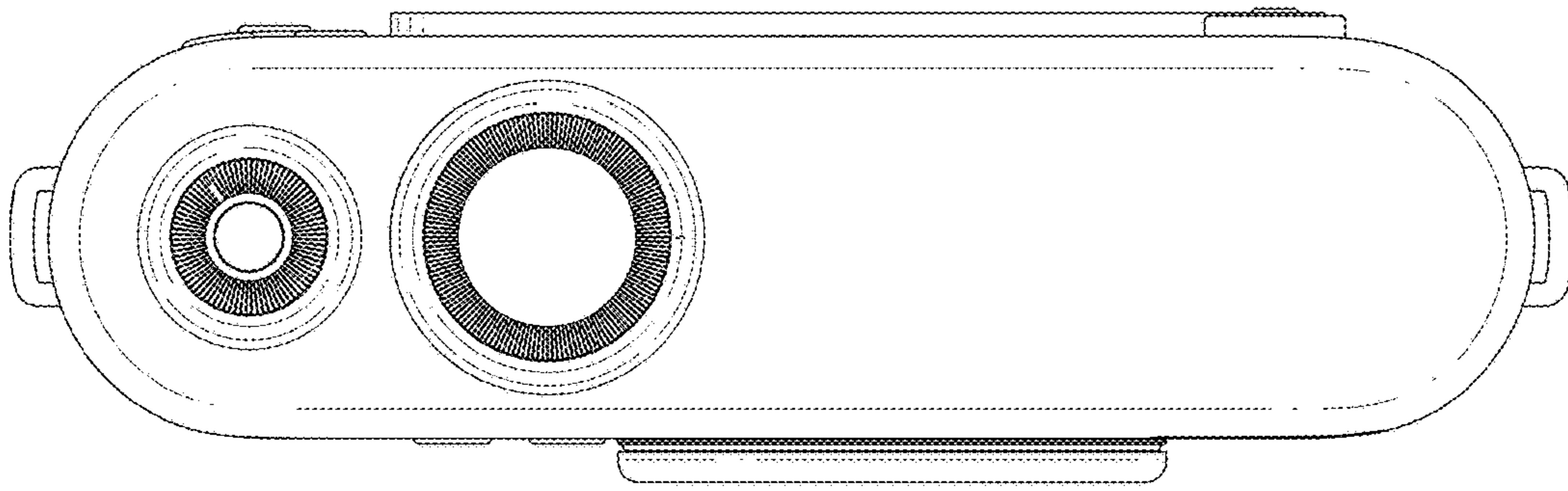


FIG. 13

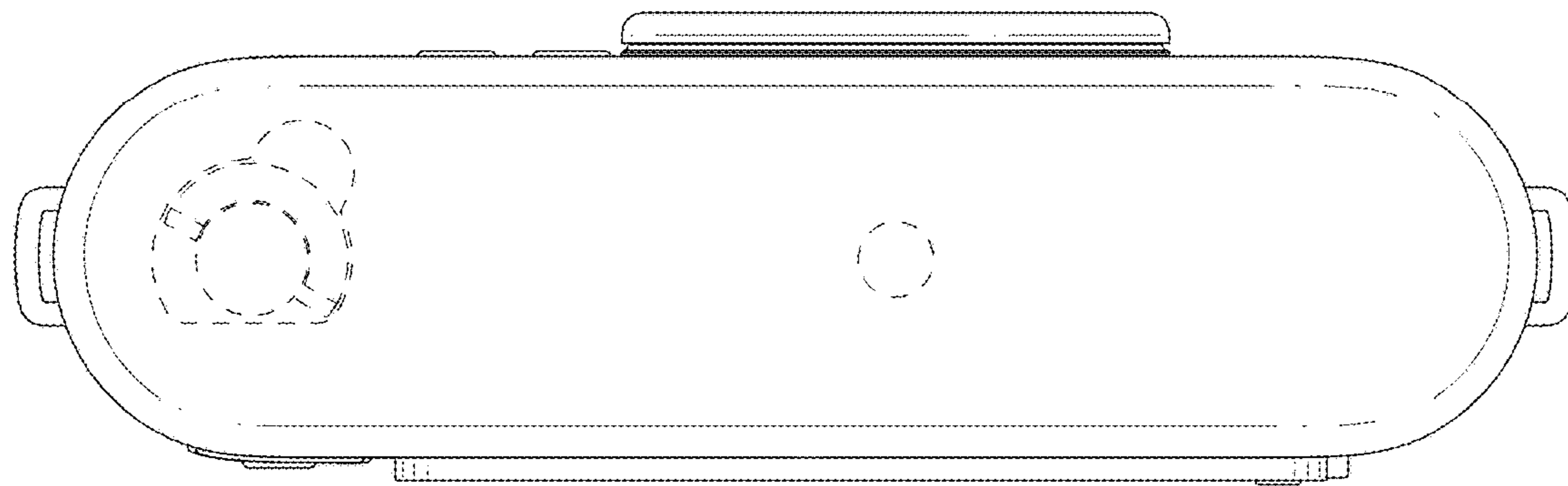


FIG. 14