



US00D829257S

(12) **United States Design Patent** (10) **Patent No.:** **US D829,257 S**
Benning et al. (45) **Date of Patent:** **** Sep. 25, 2018**

(54) **CAMERA HOUSING**

(71) Applicant: **Rosemount Aerospace Inc.**, Burnsville, MN (US)

(72) Inventors: **Kevin J. Benning**, Lakeville, MN (US); **Jonathan L. Boer**, Lakeville, MN (US); **Wallace Johnson**, Prior Lake, MN (US); **Eric L. Lovaasen**, Chaska, MN (US); **Richard Alan Schwartz**, Faribault, MN (US)

(73) Assignee: **Rosemount Aerospace Inc.**, Burnsville, MN (US)

(**) Term: **15 Years**

(21) Appl. No.: **29/583,966**

(22) Filed: **Nov. 10, 2016**

Related U.S. Application Data

(62) Division of application No. 29/449,518, filed on Mar. 15, 2013, now Pat. No. Des. 774,583.

(51) **LOC (11) Cl.** **16-01**

(52) **U.S. Cl.**
USPC **D16/200**

(58) **Field of Classification Search**
USPC D16/200, 202-204, 208, 210, 218, 219; 340/937, 945, 961, 981; 348/143, 148, 348/151, 360, 373-376; 396/419, 427, 396/429, 529, 535, 539-541; 250/332; 244/118.1
CPC G03B 15/03; G03B 17/02; G03B 17/04; G03B 17/48; G03B 17/56; G03B 19/04; G08G 1/0175; H04N 5/2251; H04N 5/2252; H04N 5/2253; H04N 5/2254; H04N 2101/00

See application file for complete search history.

(56) **References Cited**

U.S. PATENT DOCUMENTS

D334,763 S 4/1993 Sedighzadeh et al.
D395,056 S 6/1998 Delaey
5,927,648 A * 7/1999 Woodland B64C 1/1415
244/118.1
D416,569 S 11/1999 Green
6,011,493 A * 1/2000 Bushell B64D 47/06
340/981
D453,350 S 2/2002 Fenton et al.
D489,475 S 5/2004 Bender et al.

(Continued)

OTHER PUBLICATIONS

www.Airliners.net <<http://www.Airliners.net>>.

(Continued)

Primary Examiner — Philip S Hyder

Assistant Examiner — Ramzi S Almatrahi

(74) *Attorney, Agent, or Firm* — Locke Lord LLP; Scott D. Wofsy; Alicia J. Carroll

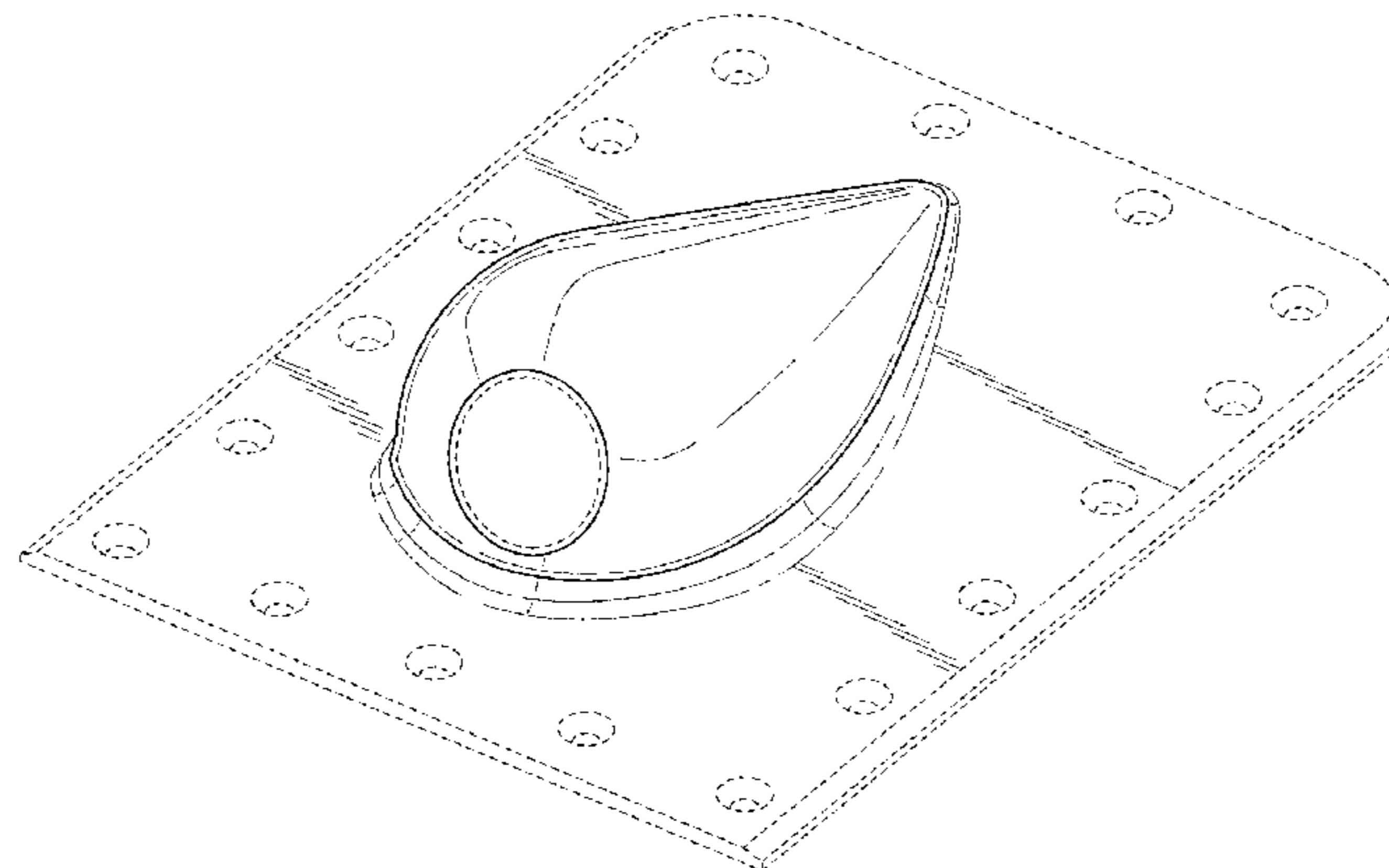
(57) **CLAIM**

The ornamental design for a camera housing, as shown and described.

DESCRIPTION

FIG. 1 is a perspective view of a camera housing showing our new design;
FIG. 2 is a left side elevation view of the camera housing shown in FIG. 1;
FIG. 3 is a top plan view of the camera housing shown in FIG. 1;
FIG. 4 is a front elevation view of the camera housing shown in FIG. 1; and,
FIG. 5 is a back elevation view of the camera housing shown in FIG. 1.

(Continued)



The broken lines depict portions of a camera housing in which the design is embodied and form no part of the claimed design.

D751,620	S *	3/2016	Hsu	D16/203
D771,174	S *	11/2016	Hinkel	D16/203
9,487,306	B2 *	11/2016	Lapujade	B64D 47/06
D785,067	S *	4/2017	Ramones	D16/203
2008/0173816	A1	7/2008	Everett et al.	

1 Claim, 2 Drawing Sheets

(56)

References Cited

U.S. PATENT DOCUMENTS

D508,064	S *	8/2005	Ramirez	D16/200
7,027,719	B1 *	4/2006	Schneider	G07C 5/0891 348/143
D556,233	S	11/2007	Webb et al.	
D558,811	S	1/2008	Higgins et al.	
7,391,504	B1 *	6/2008	Pinkus	G01J 1/08 250/252.1
7,411,194	B1 *	8/2008	Everett	B60R 11/04 250/332
D629,436	S	12/2010	Cheng et al.	
D700,231	S	2/2014	Berkmortel	
D719,996	S *	12/2014	Wu	D16/202
D738,939	S *	9/2015	Seo	D15/89
D750,684	S *	3/2016	Katori	D16/203

OTHER PUBLICATIONS

http://www.diecastaircraftforum.com/1-1-scale-commercial-aviation/59626-forward-downward-camera-b777.html&docid=SEnp_dUEGRRspM&imgurl=http://i7.photobucket.com/albums/y268/kevinfong316/P1030327Medium.jpg&w=800&11=600&ei=nLvmUfPhNoKxywH6toG4Dg&zoom=1&biw=938&bih=614&iact=rc&dur=33&page=1&tbnh=142&tbnw=181&start=0&ndsp=15&ved=lt:429,r:8,s:0,i:105&tx=46&ty=88

http://www.wipaire.com/services/avionics_flypage.php?article_id=87

http://www.diecastaircraftforum.com/1-1-scale-commercial-aviation/59626-forward-downward-camera-b777.html&docid=SEnp_dUEGRRspM&imgurl=http://i7.photobucket.com/albums/y268/kevinfong316/P1030327Medium.jpg&w=800&11=600&ei=nLvmUfPhNoKxywH6toG4Dg&zoom=1&biw=938&bih=614&iact=rc&dur=33&page=1&tbnh=142&tbnw=181&start=0&ndsp=15&ved=lt:429,r:8,s:0,i:105&tx=46&ty=88

* cited by examiner

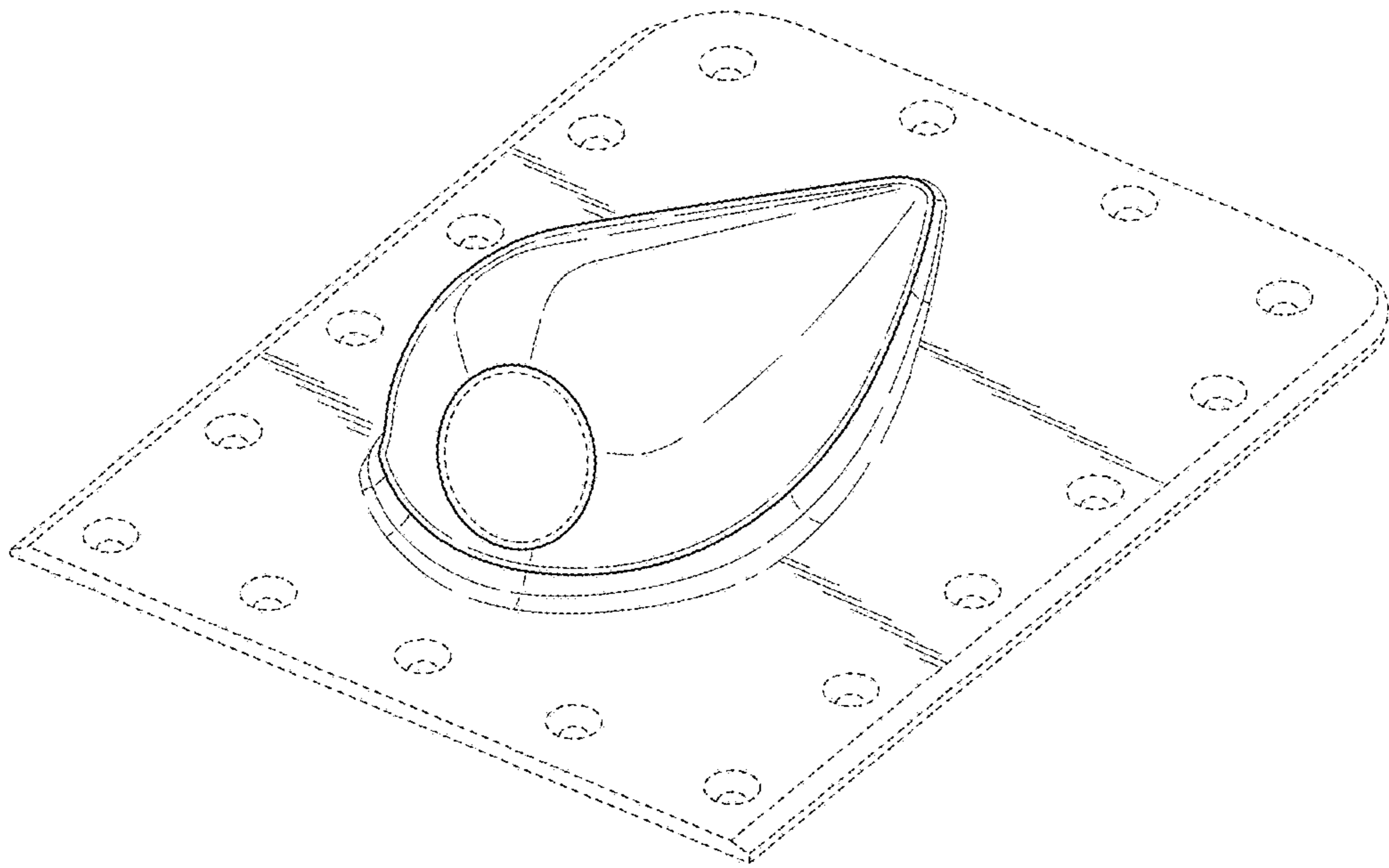


FIG. 1

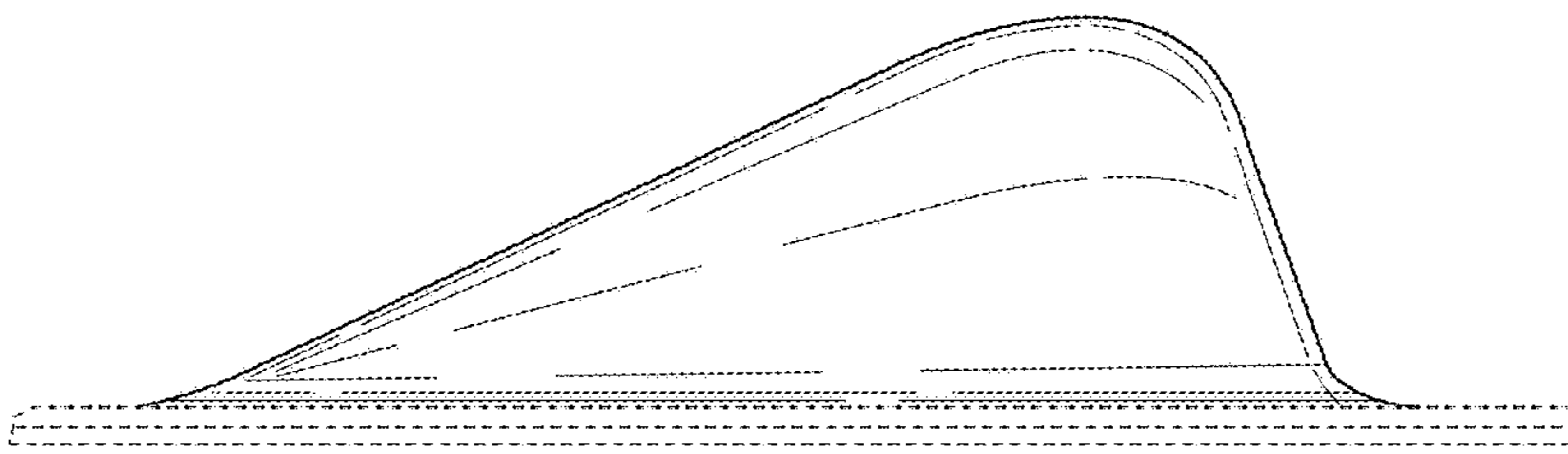


FIG. 2

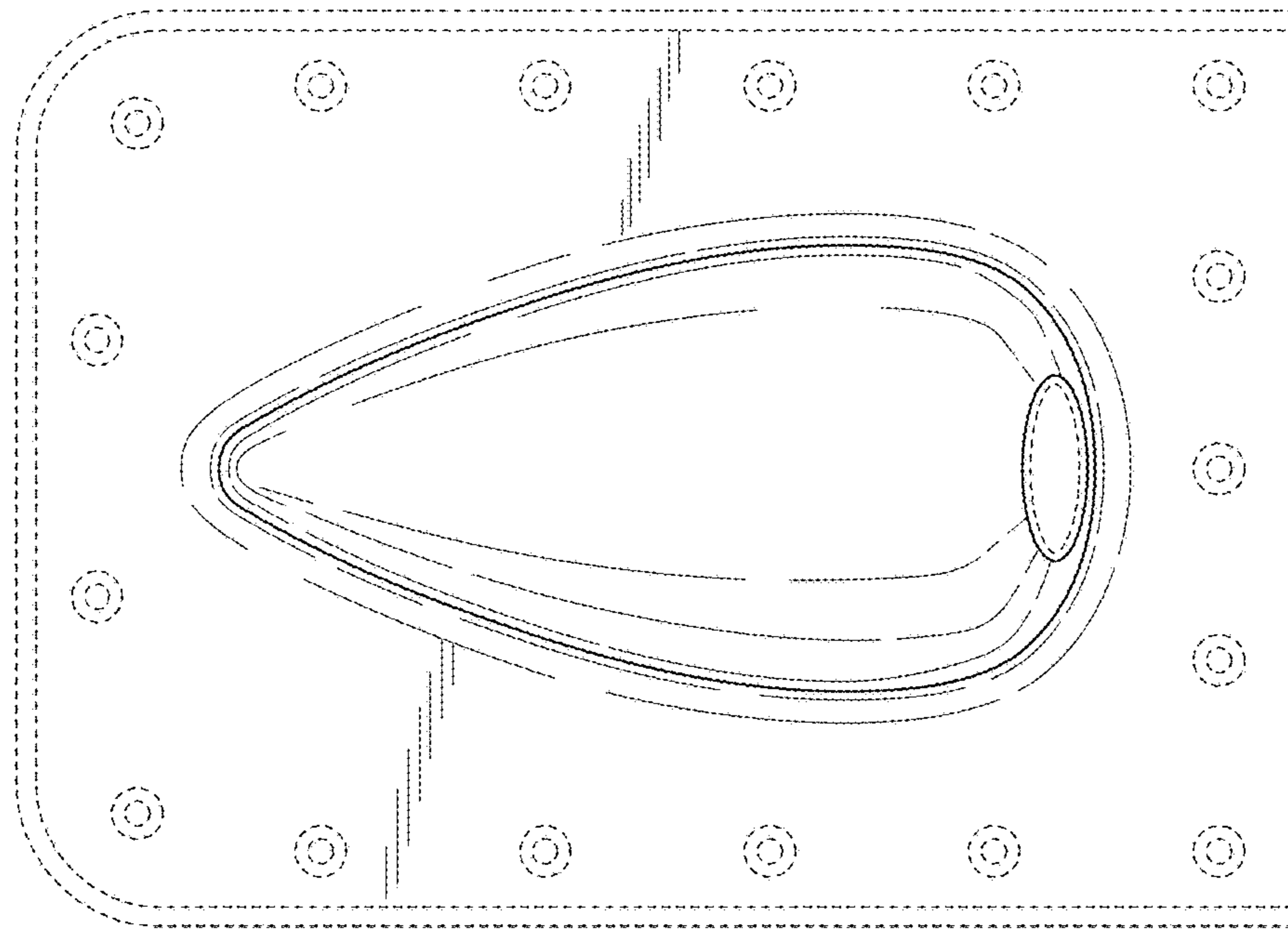


FIG. 3

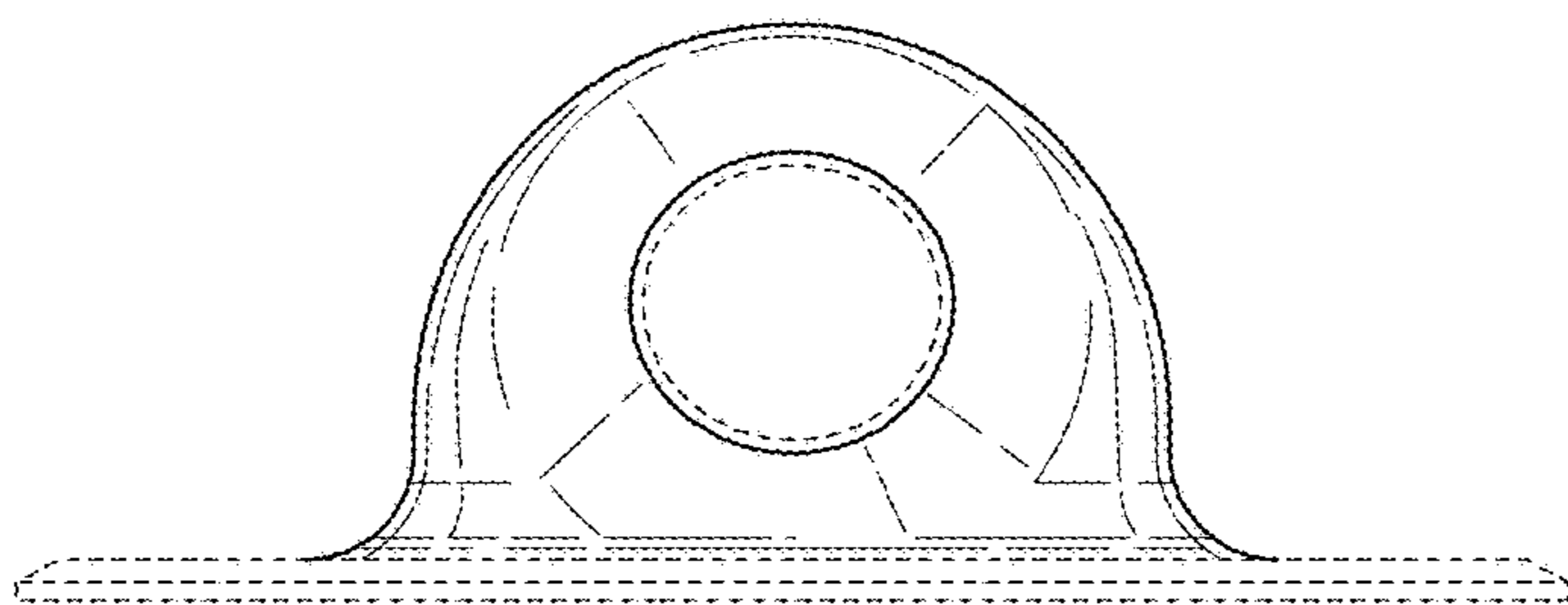


FIG. 4

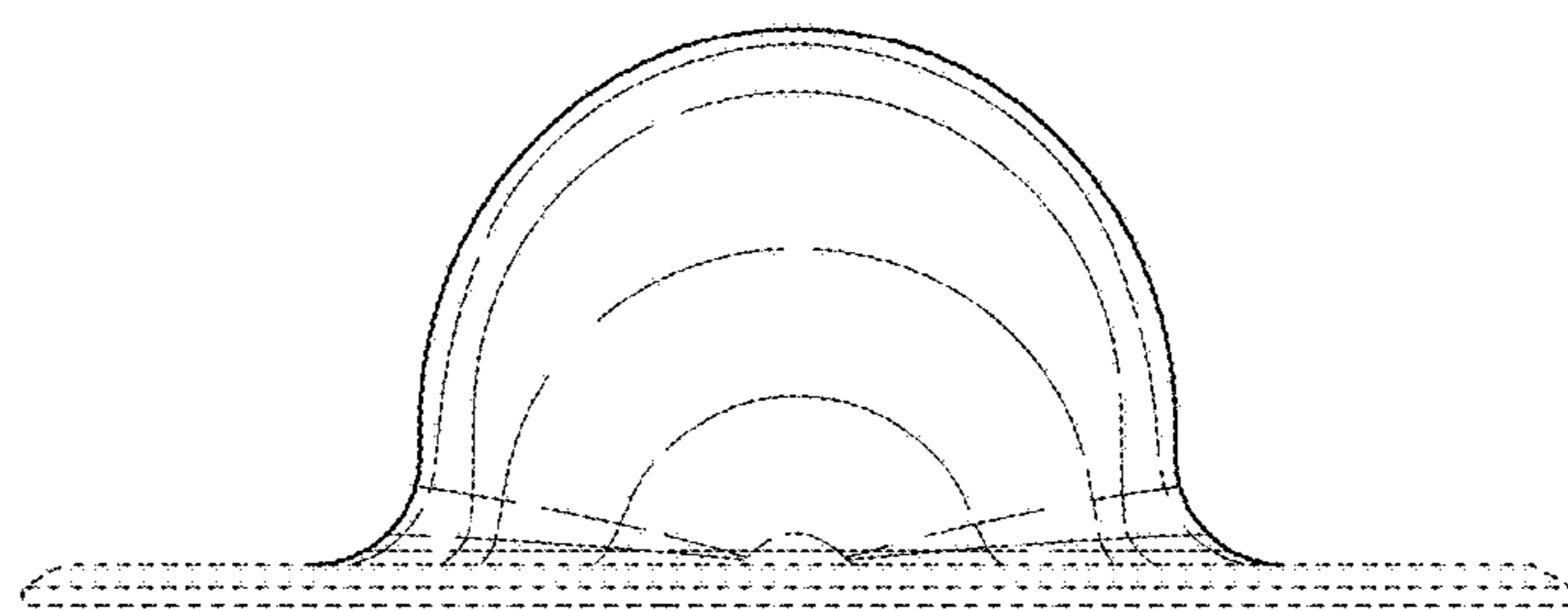


FIG. 5