



US00D829256S

(12) **United States Design Patent**
Carpenter

(10) **Patent No.:** **US D829,256 S**

(45) **Date of Patent:** **** Sep. 25, 2018**

(54) **MAGNIFIER**

(71) Applicant: **Lawrence J. Carpenter**, Stillwater, MN (US)

(72) Inventor: **Lawrence J. Carpenter**, Stillwater, MN (US)

(**) Term: **15 Years**

(21) Appl. No.: **29/583,972**

(22) Filed: **Nov. 10, 2016**

(51) **LOC (11) Cl.** **16-06**

(52) **U.S. Cl.**
USPC **D16/135**

(58) **Field of Classification Search**

USPC D14/203.3–203.7, 217, 238.1, 240, 248,
D14/250–253; D16/130, 134, 135
CPC G02B 27/026; H04J 11/00; H04J 13/00
See application file for complete search history.

(56) **References Cited**

U.S. PATENT DOCUMENTS

D380,483 S *	7/1997	Lee	D16/135
D397,866 S *	9/1998	Hartmann	D3/212
D538,321 S *	3/2007	Yeh	D16/135
D580,466 S *	11/2008	Pola	D16/135
D658,698 S *	5/2012	Jim	D16/135
D699,774 S *	2/2014	Kuehn	D16/135
D740,334 S *	10/2015	Moseley	D15/72
D807,937 S *	1/2018	Warr	D16/135

* cited by examiner

Primary Examiner — Mark Alan Goodwin

Assistant Examiner — Benjamin M Weeks

(74) *Attorney, Agent, or Firm* — Joe D. Calhoun

(57) **CLAIM**

I claim the ornamental design of a magnifier, as shown and described.

DESCRIPTION

FIG. 1 is an upper perspective view of a magnifier, with a mounting collar in a terminal position.

FIG. 2 is a front elevation view of the magnifier of FIG. 1.

FIG. 3 is a rear elevation view of the magnifier of FIG. 1.

FIG. 4 is a first side elevation view of the magnifier of FIG. 1.

FIG. 5 is a second side elevation view of the magnifier of FIG. 1.

FIG. 6 is a top plan view of the magnifier of FIG. 1.

FIG. 7 is a bottom plan view of the magnifier of FIG. 1.

FIG. 8 is an upper perspective view of the magnifier, with the mounting collar in an intermediate position.

FIG. 9 is a front elevation view of the magnifier of FIG. 8.

FIG. 10 is a rear elevation view of the magnifier of FIG. 8.

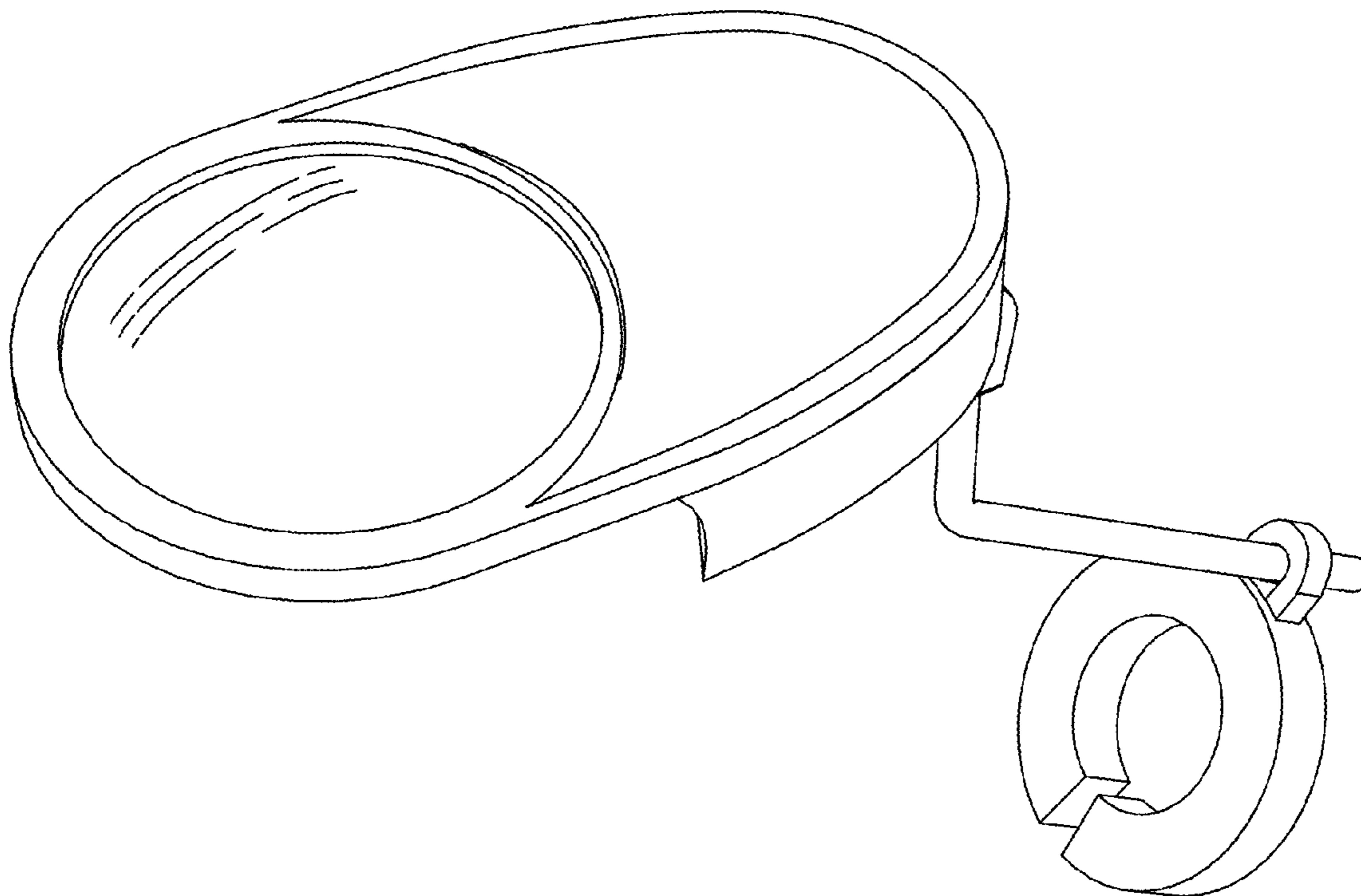
FIG. 11 is a first side elevation view of the magnifier of FIG. 8.

FIG. 12 is a second side elevation view of the magnifier of FIG. 8.

FIG. 13 is a top plan view of the magnifier of FIG. 8; and,

FIG. 14 is a bottom plan view of the magnifier of FIG. 8.

1 Claim, 10 Drawing Sheets



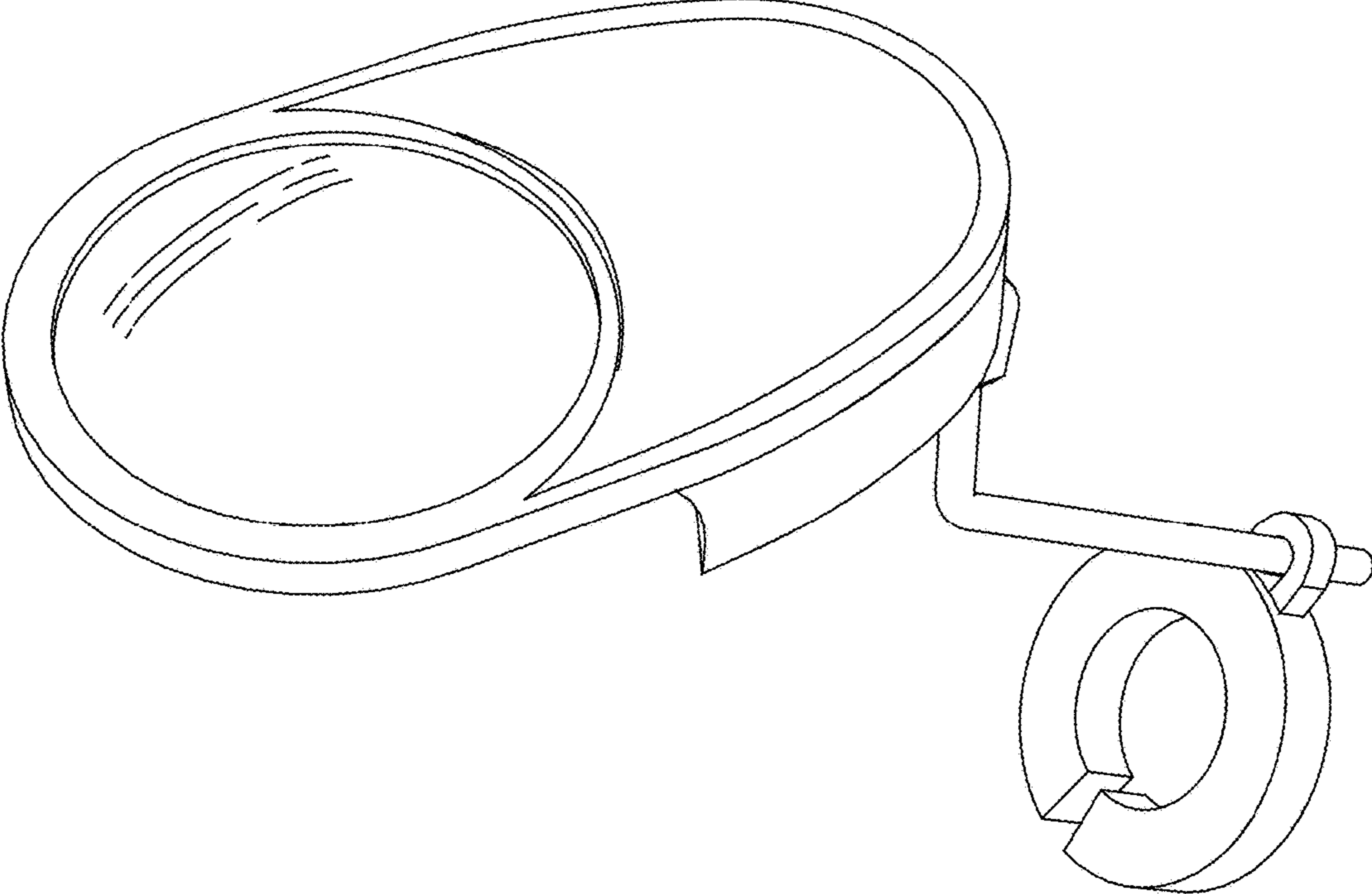


FIG. 1

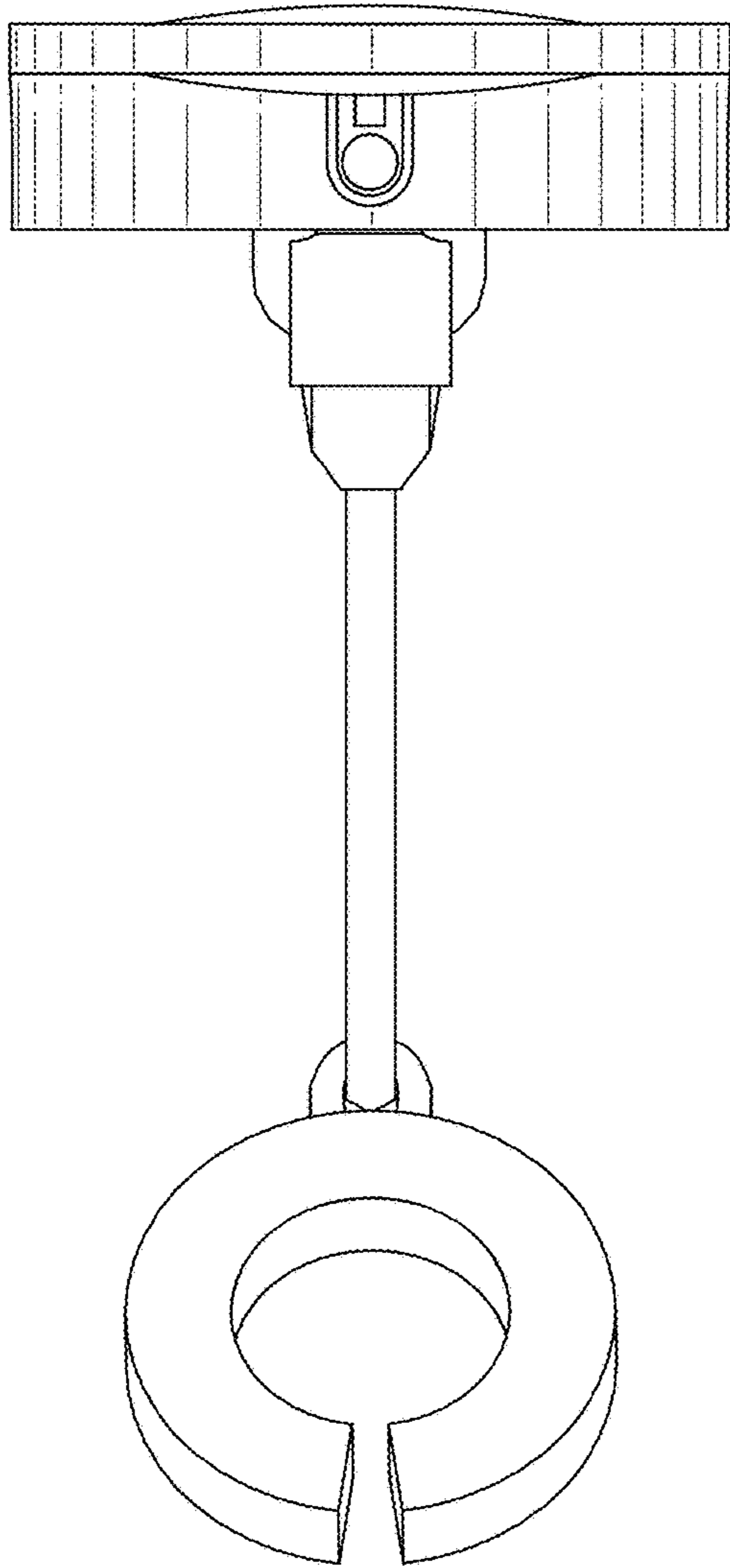


FIG. 2

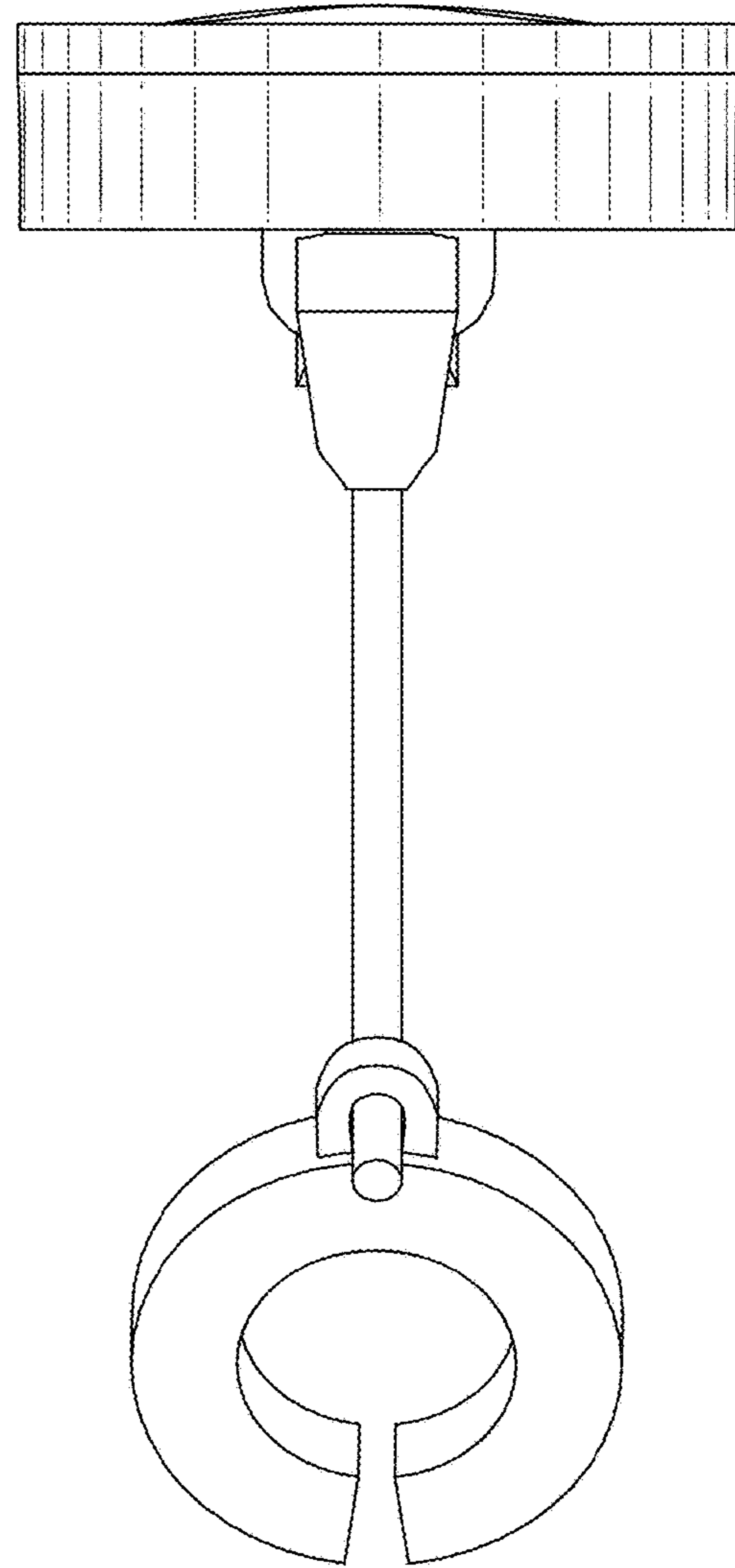


FIG. 3

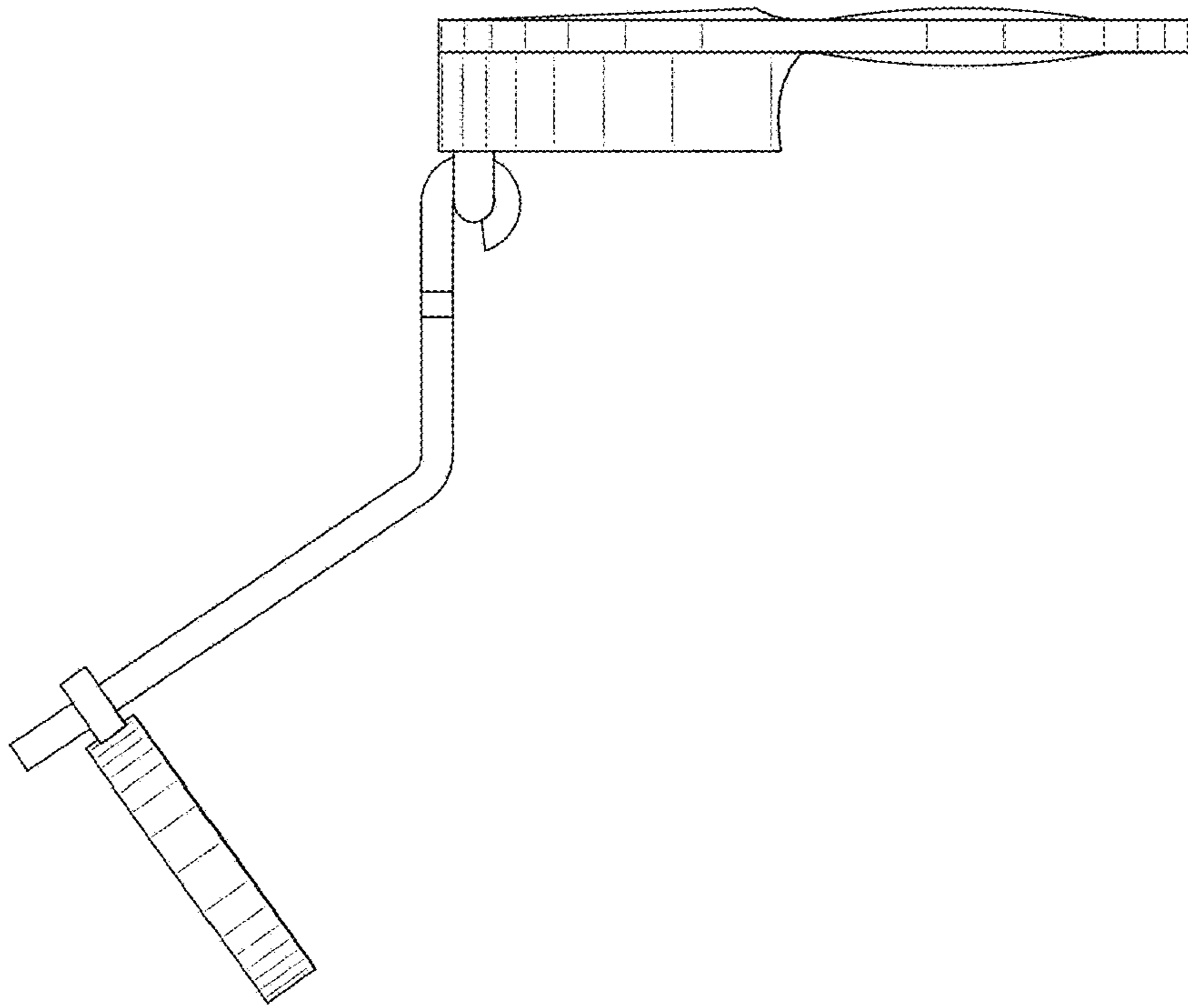


FIG. 4

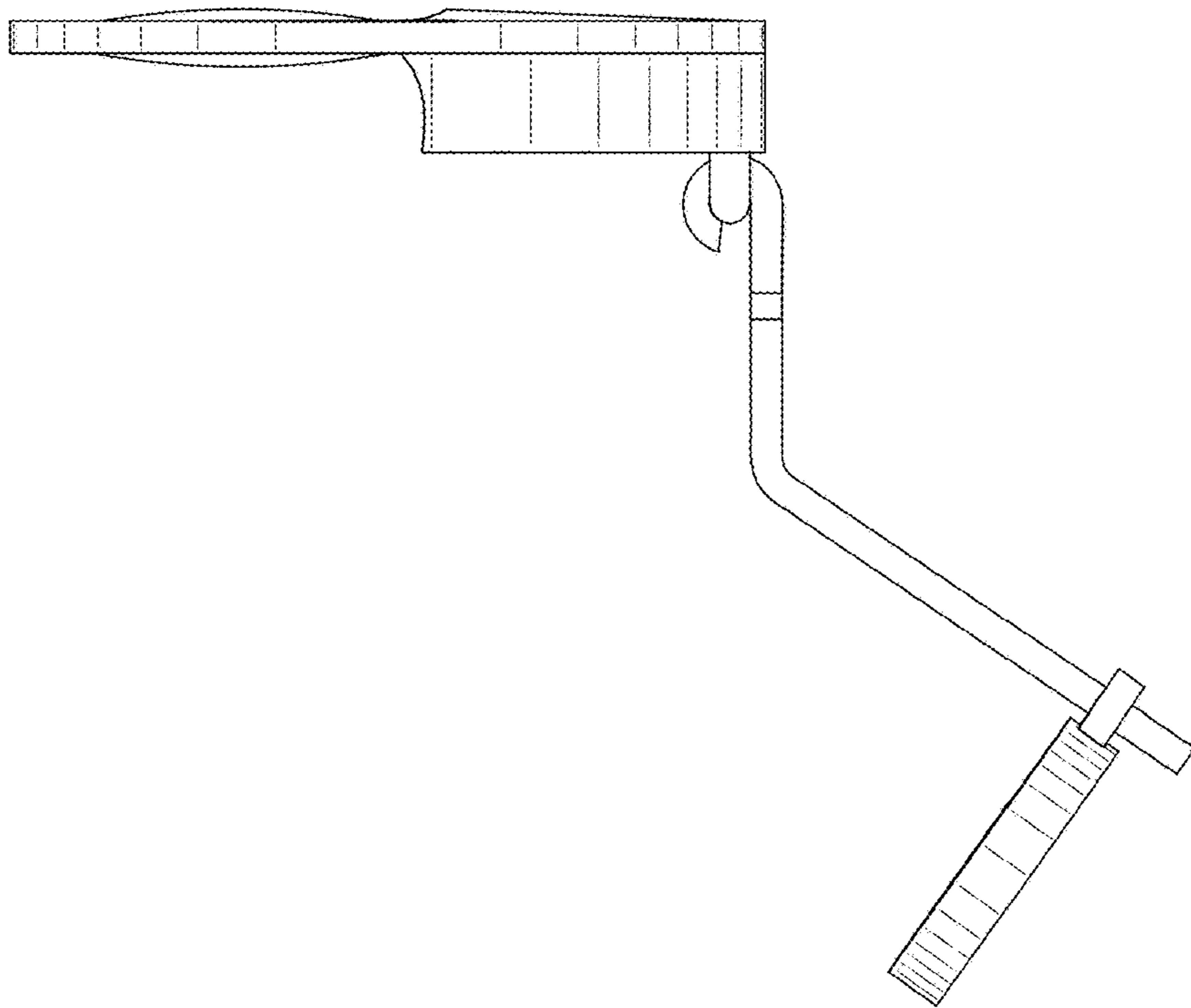


FIG. 5

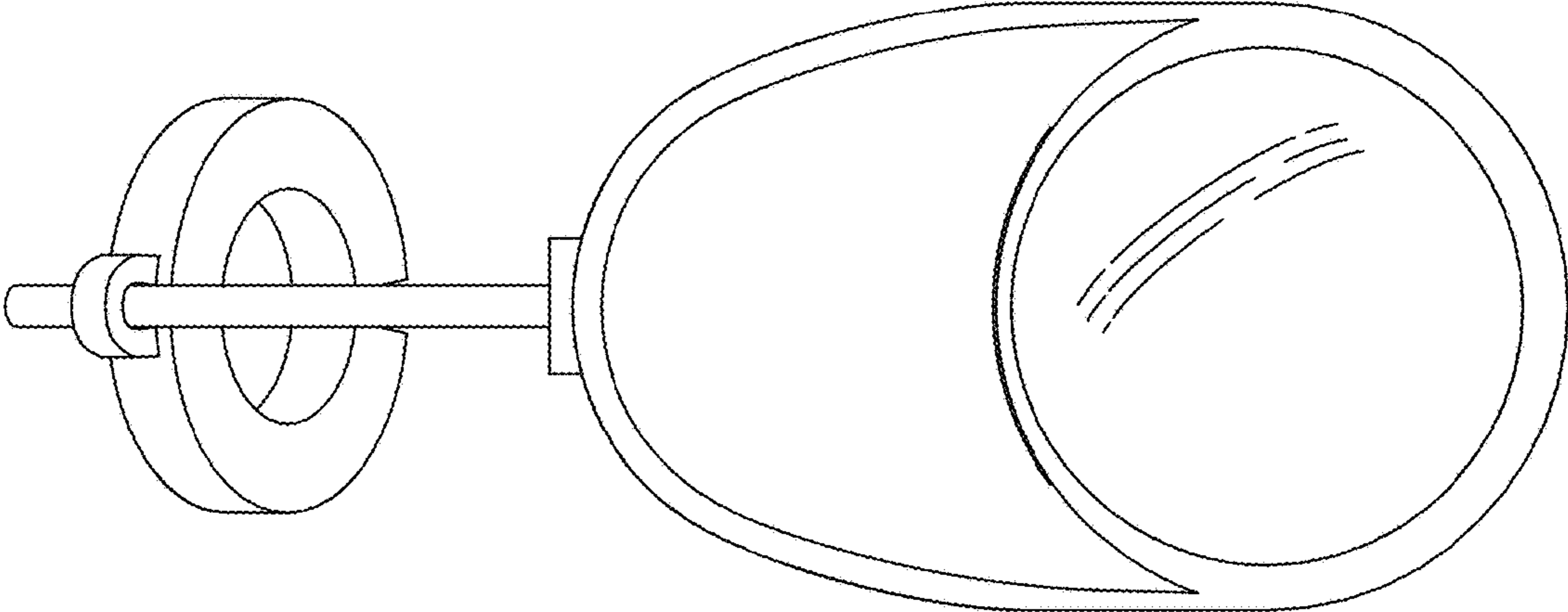


FIG. 6

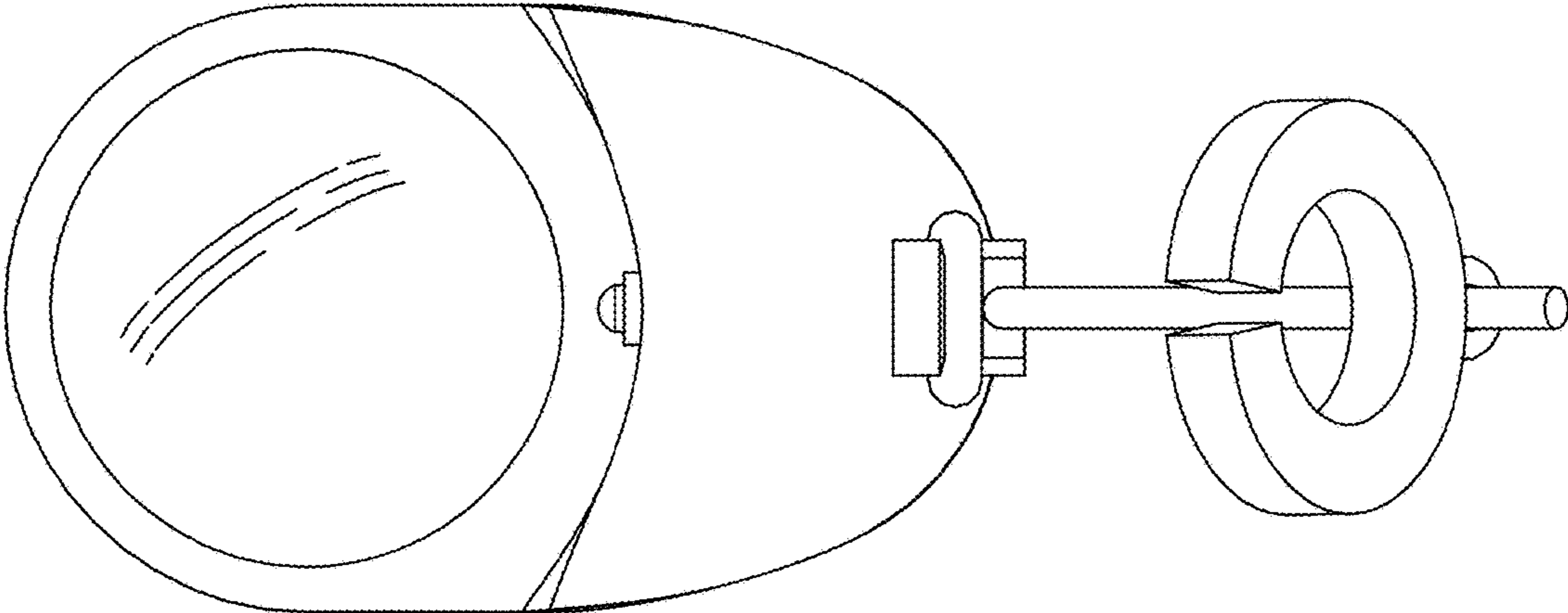


FIG. 7

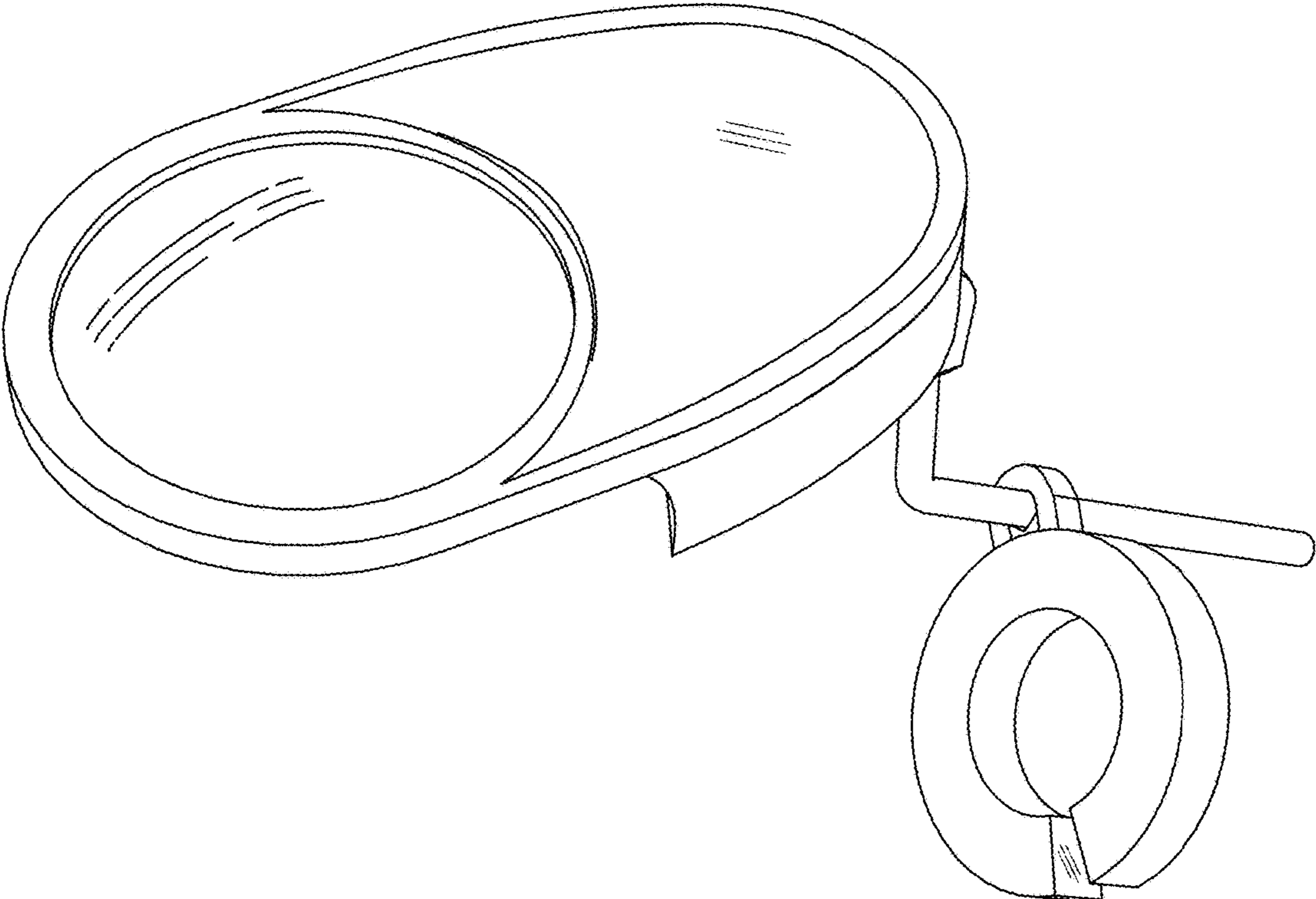


FIG. 8

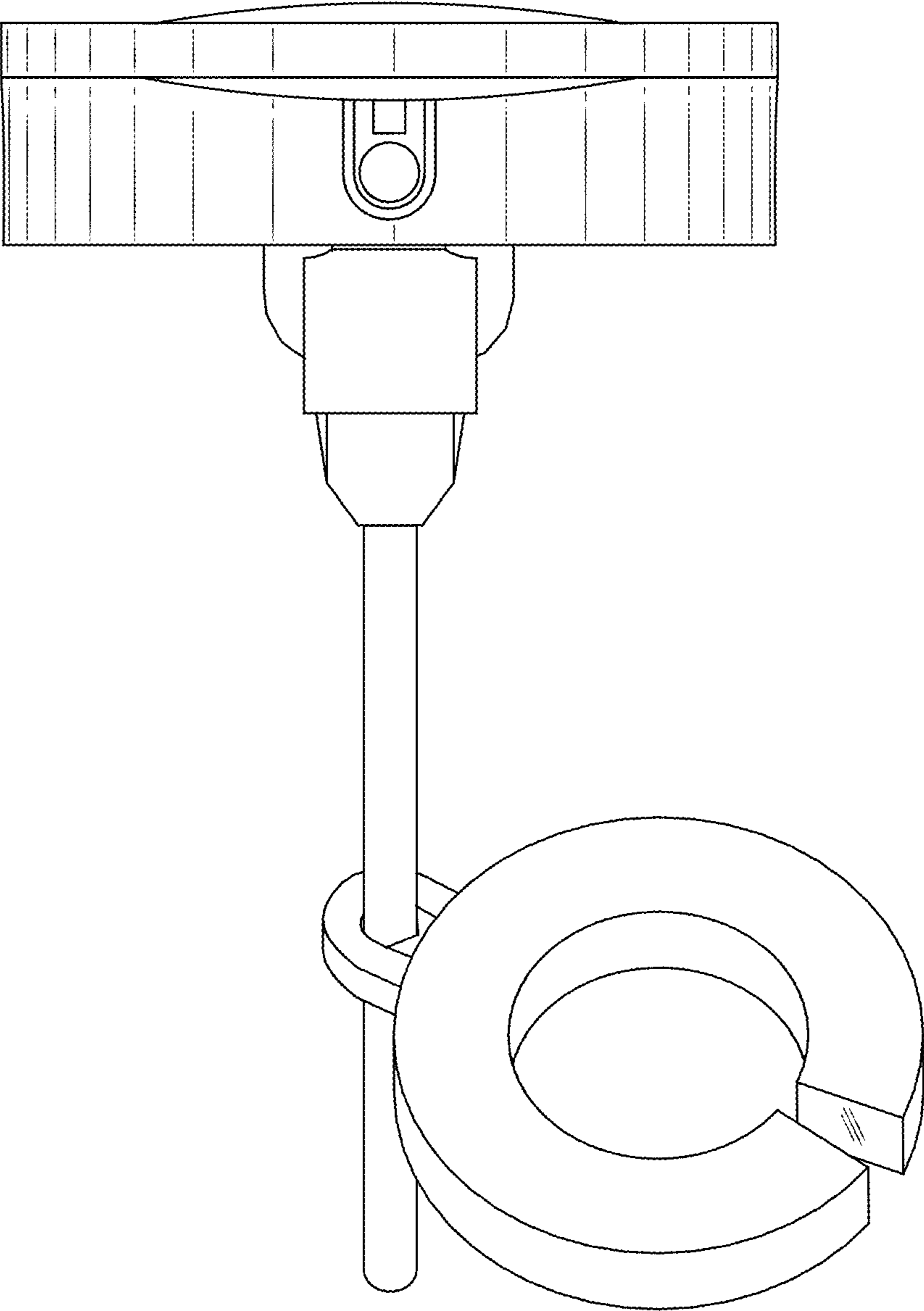


FIG. 9

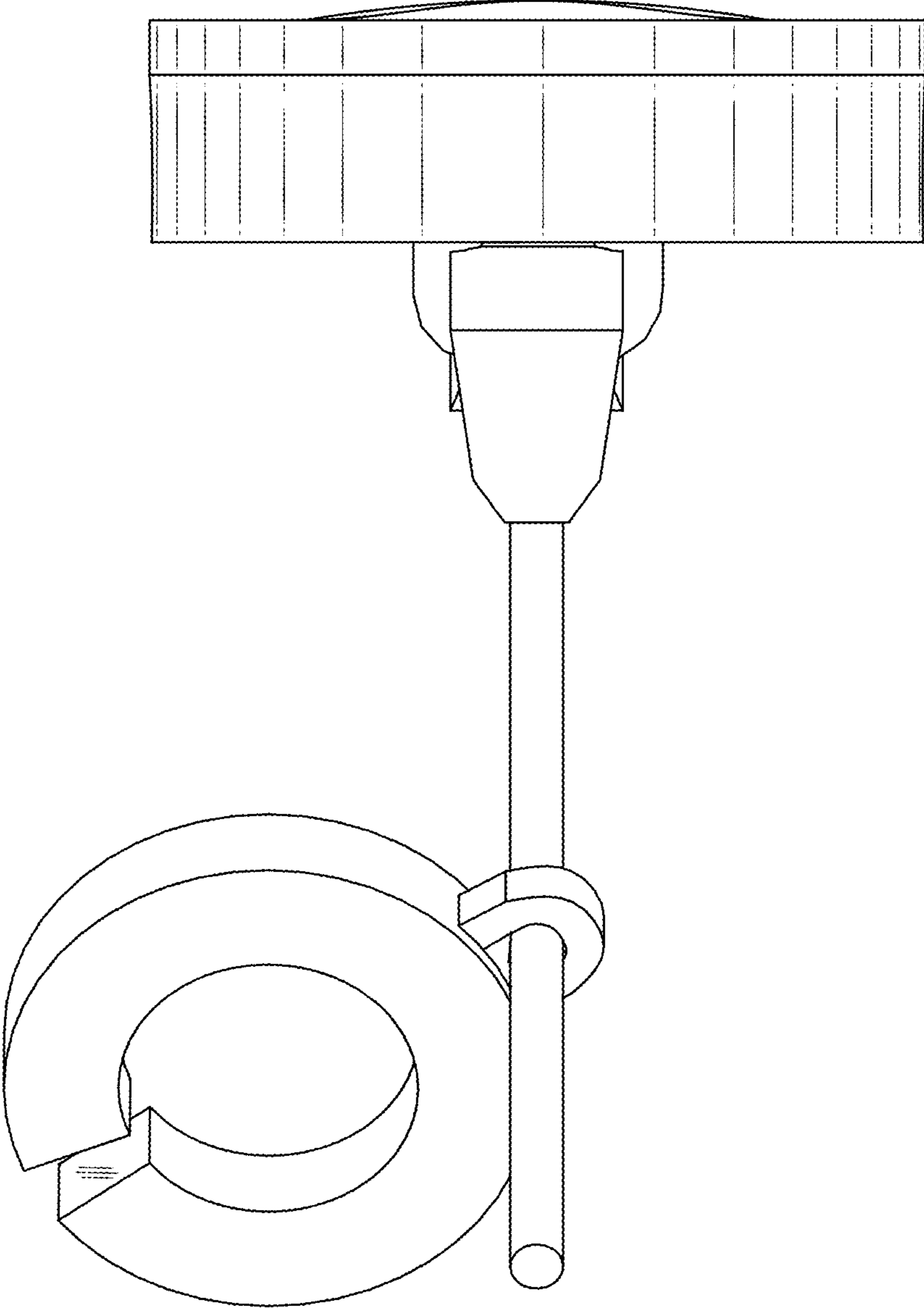


FIG. 10

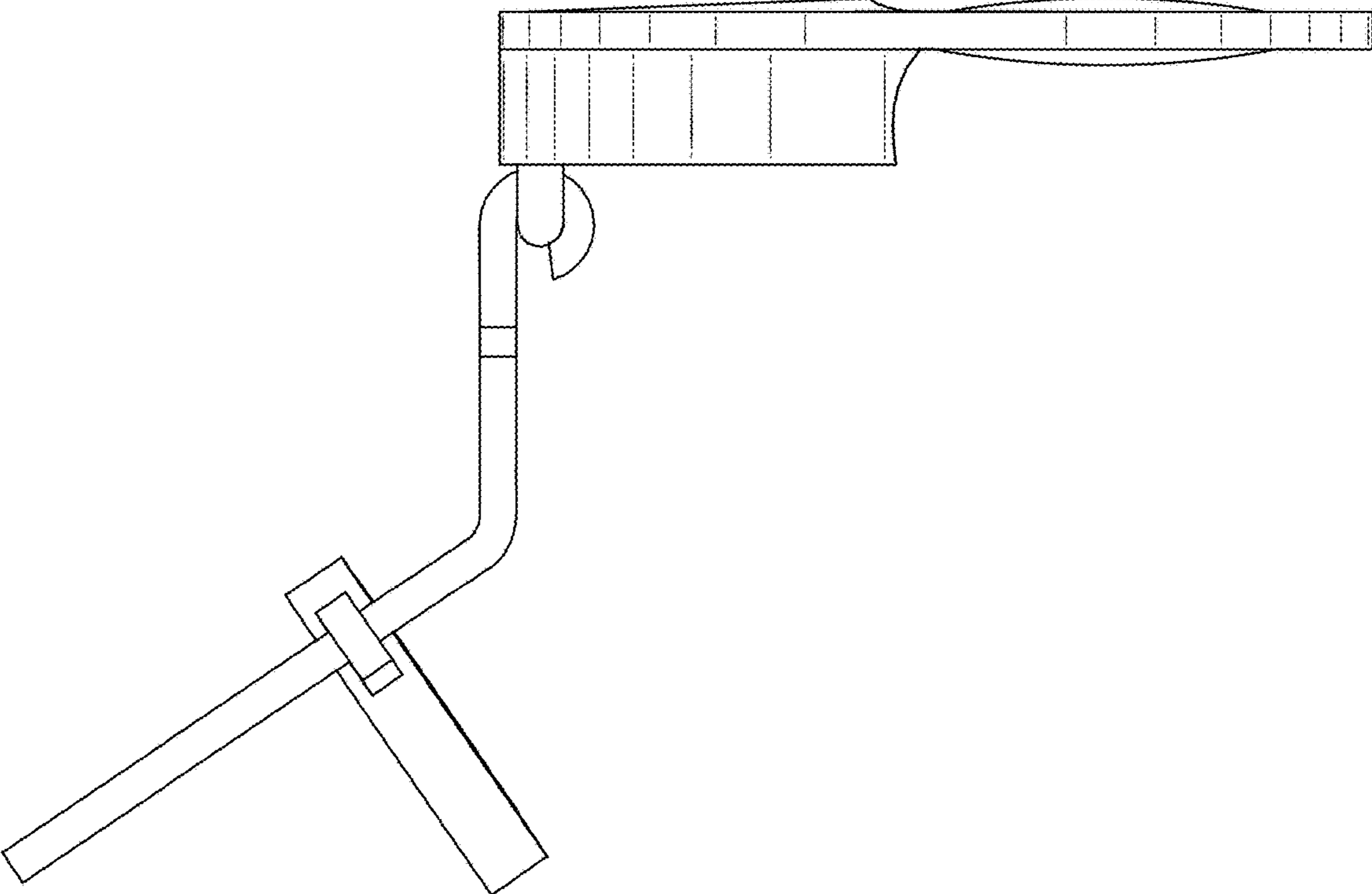


FIG. 11

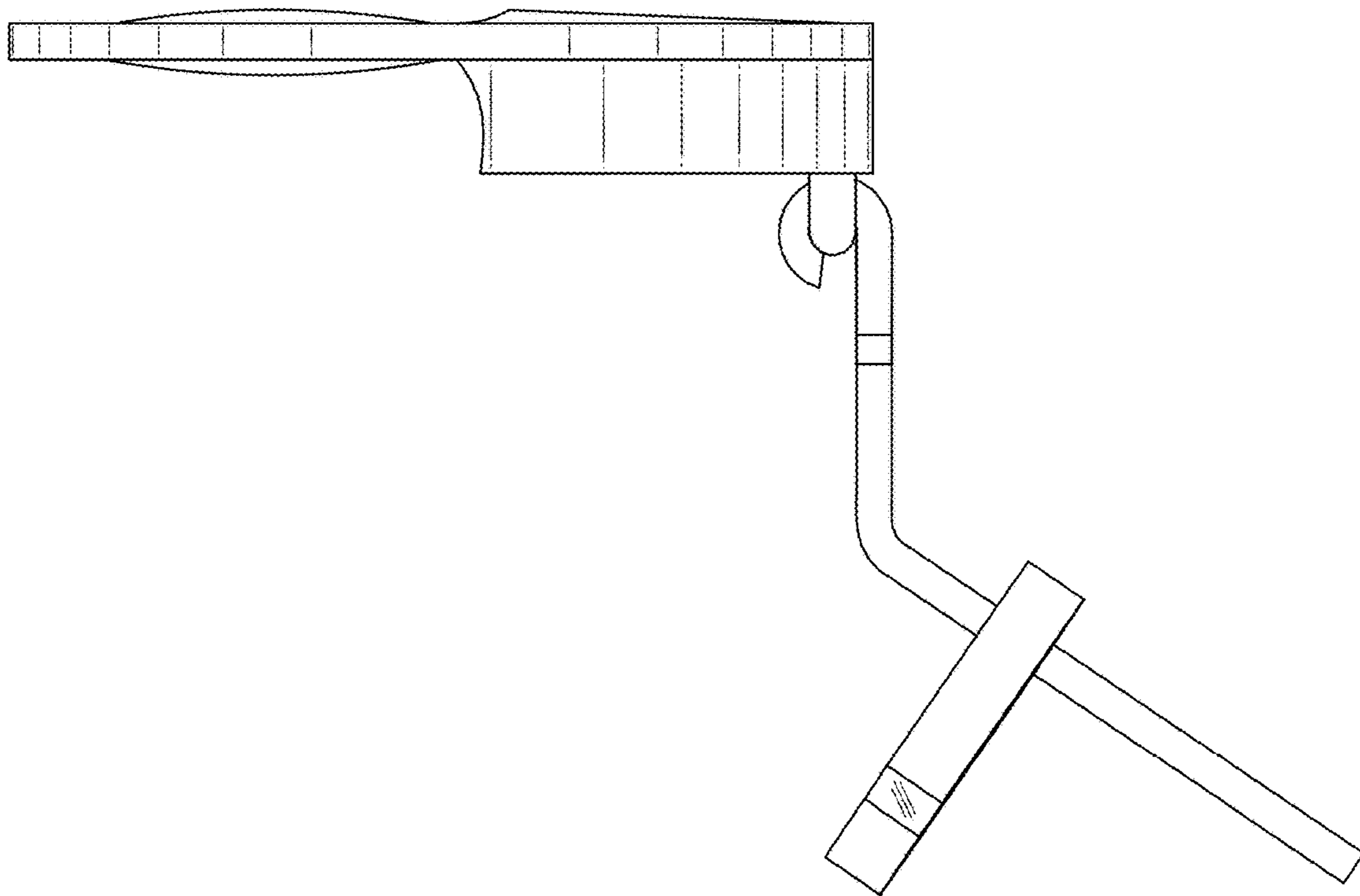


FIG. 12

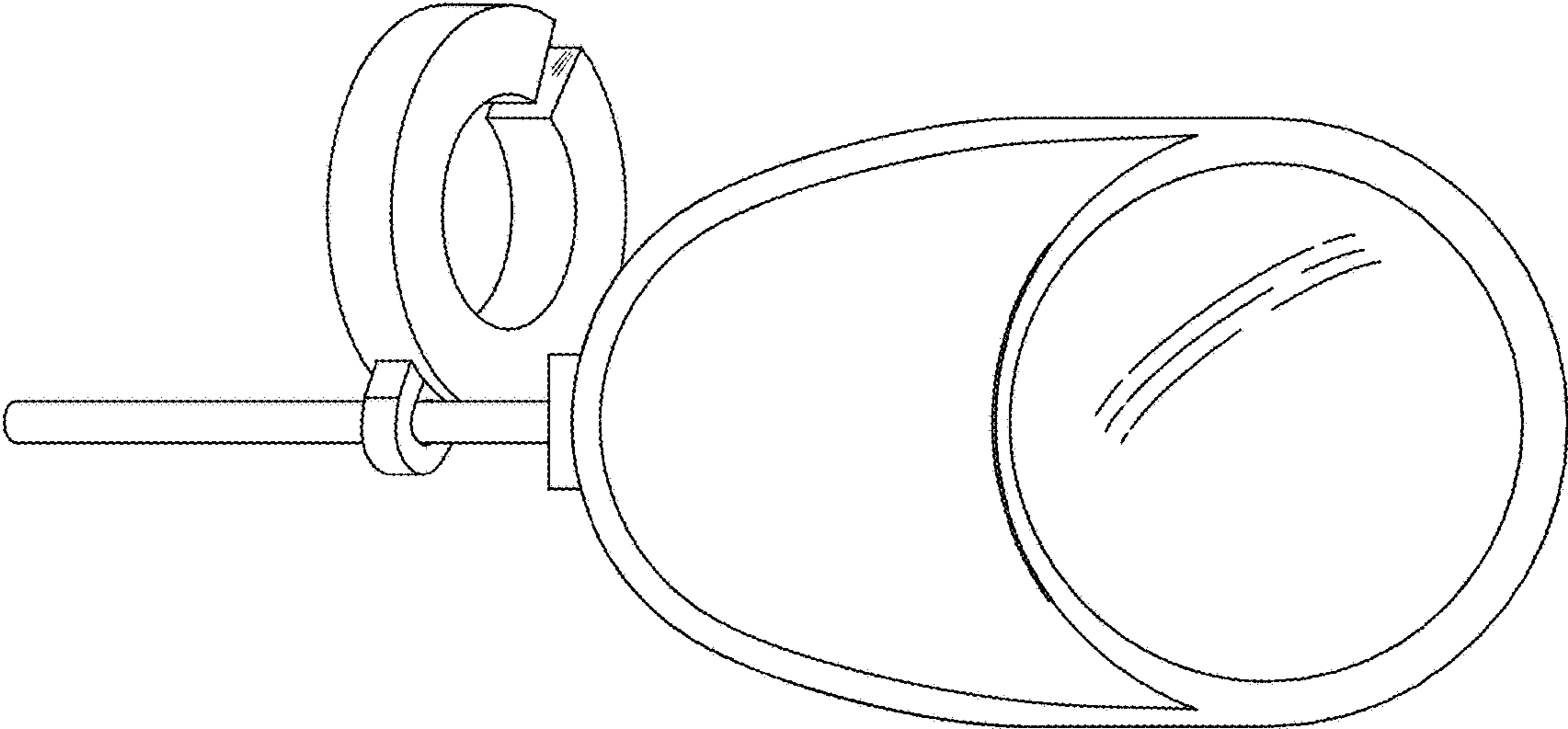


FIG. 13

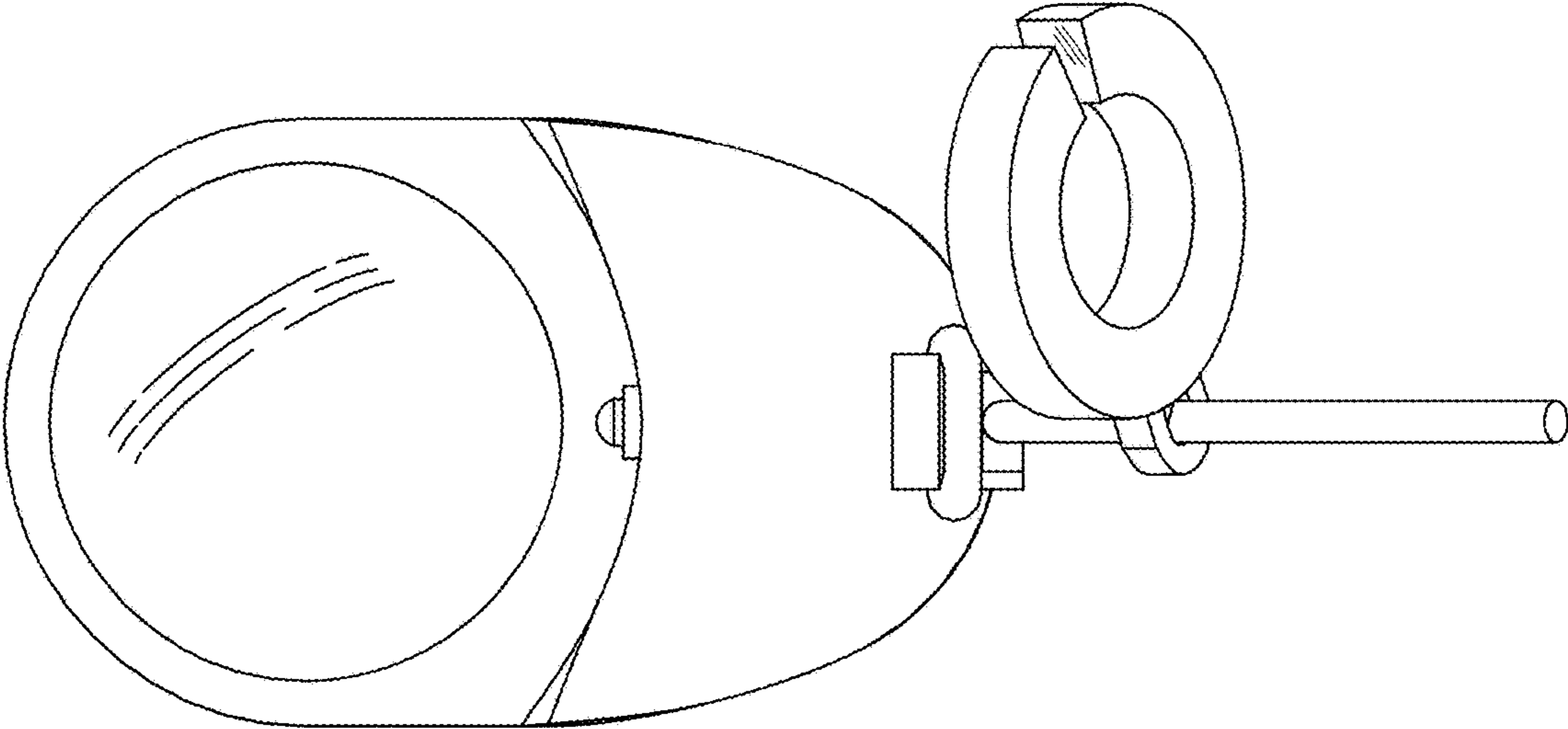


FIG. 14