



US00D829252S

(12) **United States Design Patent** (10) **Patent No.:** **US D829,252 S**
Wang et al. (45) **Date of Patent:** **** Sep. 25, 2018**

(54) **ROBOT** 2012/0185095 A1* 7/2012 Rosenstein B25J 5/007
 700/259
 (71) Applicant: **ENGINEERING SERVICES INC.,** 2014/0009561 A1* 1/2014 Sutherland B25J 5/007
 Toronto, ON (CA) 348/14.05
 2015/0081338 A1* 3/2015 Lai G06Q 50/22
 705/3
 (72) Inventors: **Chinjohn Wang**, Mississauga (CA); 2016/0229058 A1* 8/2016 Pinter G06Q 50/22
Ireneusz Jankowski, Richmond Hill 2016/0327383 A1* 11/2016 Becker G01B 11/005
 (CA) (Continued)

(73) Assignee: **ENGINEERING SERVICES INC.,**
 Markham, ON (CA)

(**) Term: **15 Years**

(21) Appl. No.: **29/612,109**

(22) Filed: **Jul. 28, 2017**

(51) **LOC (11) Cl.** **15-99**

(52) **U.S. Cl.**
 USPC **D15/199**

(58) **Field of Classification Search**
 USPC D15/199; D21/578-583, 621, 622
 CPC B25J 5/007; B60B 19/006; B62D 57/024;
 H01F 7/0221; Y10S 901/01
 See application file for complete search history.

(56) **References Cited**

U.S. PATENT DOCUMENTS

D572,739 S *	7/2008	Jennings	D15/199
D675,656 S *	2/2013	Sutherland	D15/199
D719,620 S *	12/2014	Clerc	B25J 5/007
				D15/199
D726,836 S *	4/2015	Song	D15/199
D732,096 S *	6/2015	Jang	D15/199
D735,258 S *	7/2015	Jang	D15/199
D760,675 S *	7/2016	Chalabi	D14/125
D810,167 S *	2/2018	Yang	D15/199
D810,800 S *	2/2018	Wang	D15/199
D811,458 S *	2/2018	Wang	D15/199
2008/0161672 A1 *	7/2008	Marar	A61B 5/055
				600/407

OTHER PUBLICATIONS

<http://en.sanbot.com/newsPro/design.html>; 8 pages.
 (Continued)

Primary Examiner — Patricia Ann Palasik
 (74) *Attorney, Agent, or Firm* — Hill & Schumacher

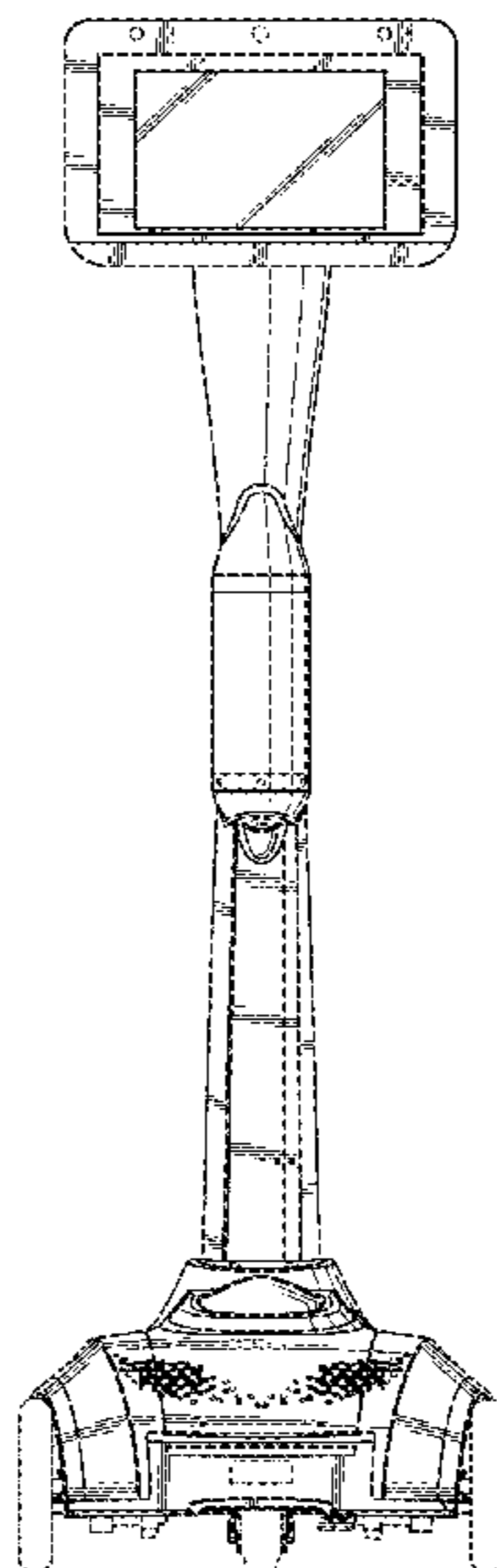
(57) **CLAIM**

The ornamental design for a robot, as shown and described.

DESCRIPTION

FIG. 1 is a front elevation view of the robot showing our new design;
 FIG. 2 is a top plan view thereof;
 FIG. 3 is a bottom plan view thereof;
 FIG. 4 is a left side elevated view thereof;
 FIG. 5 is a rear elevation view thereof;
 FIG. 6 is perspective view thereof;
 FIG. 7 is a left side elevated view thereof showing the screen of the robot turned to the left;
 FIG. 8 is a right side elevated view thereof showing the screen of the robot turned to the right;
 FIG. 9 is a left side elevated view thereof showing the screen of the robot tilted upwards; and,
 FIG. 10 is a left side elevated view thereof showing the screen of the robot tilted downwards.
 The broken lines in the drawings depict unclaimed environmental subject matter.

1 Claim, 9 Drawing Sheets



(56)

References Cited

U.S. PATENT DOCUMENTS

2017/0072558 A1* 3/2017 Reynolds G05D 1/0246

OTHER PUBLICATIONS

www.suitabletech.com/products/beam; Jul. 5, 2017; 3 pages.
www.doublerobotics.com/; Jul. 17, 2017; 5 pages.
www.amyrobotics.com/robot/; Nov. 6, 2017; 4 pages.
www.padbot.com/; Jun. 28, 2017; 3 pages.
www.en.sanbot.com/newsPro/design; Jun. 16, 2017; 8 pages.

* cited by examiner

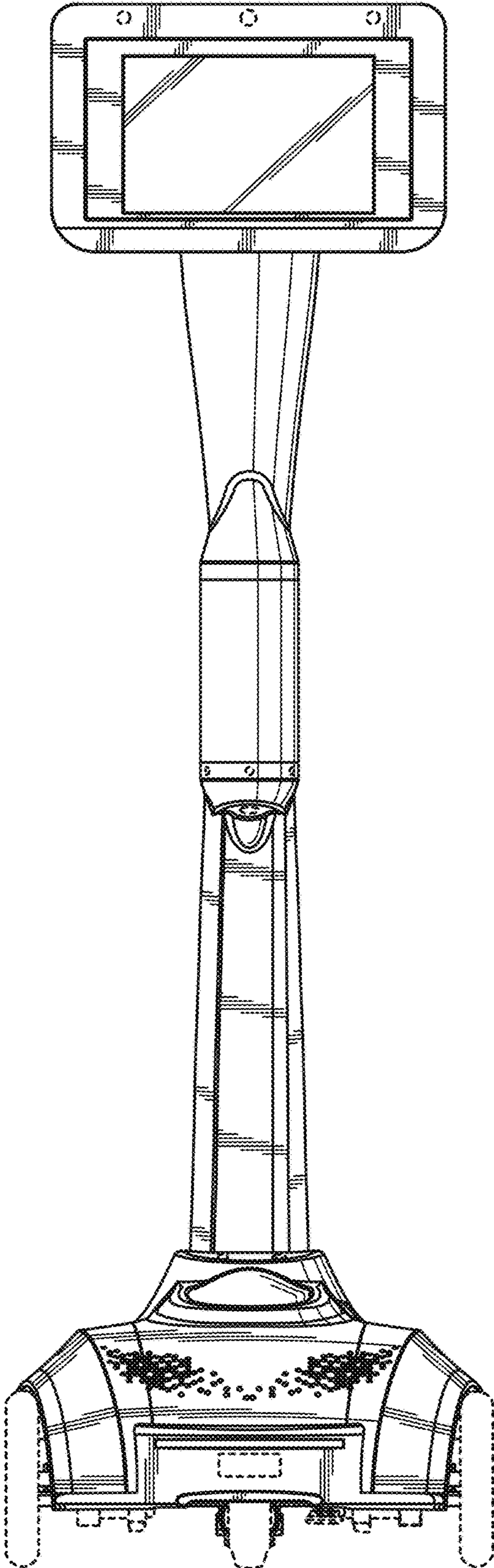


FIG. 1

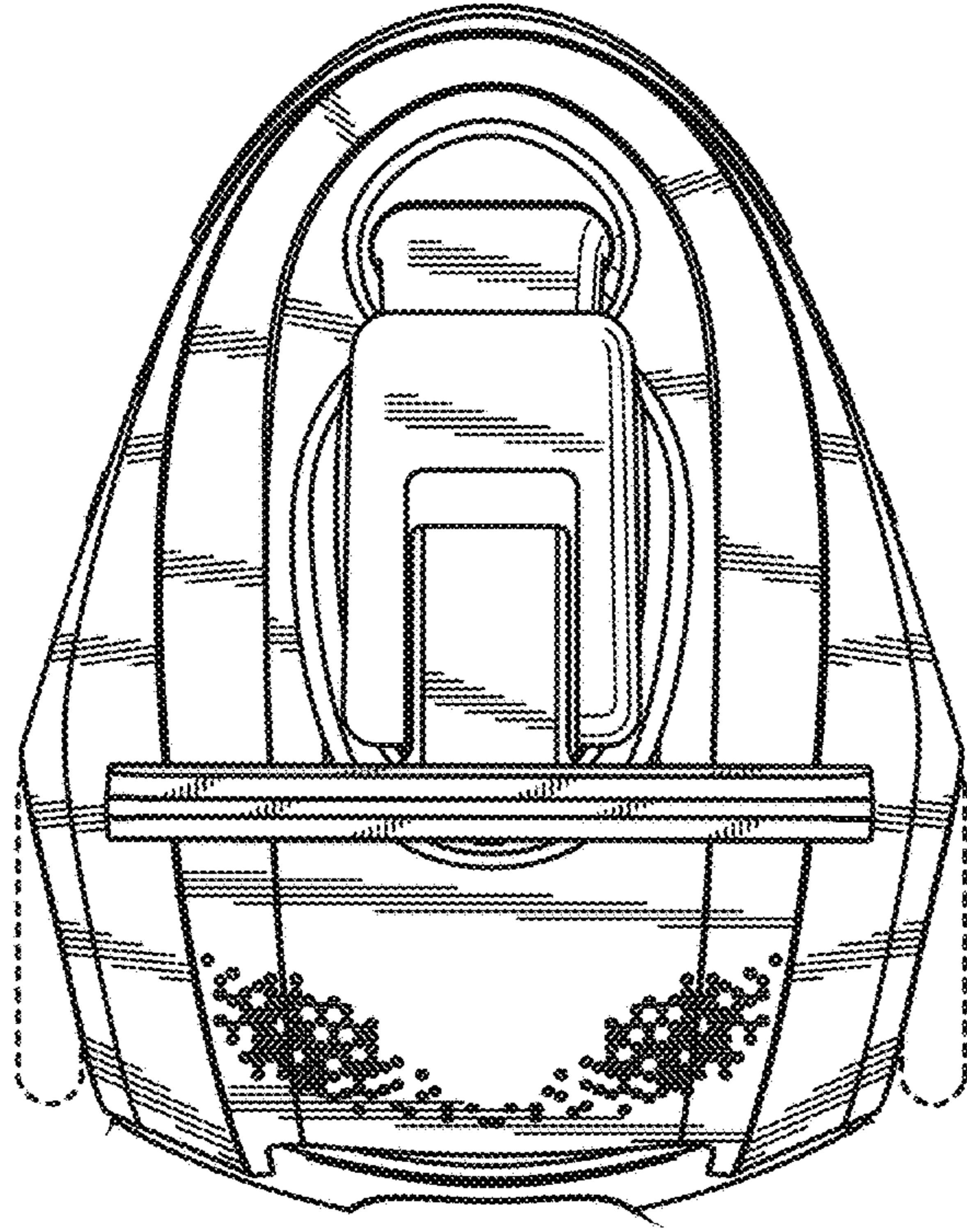


FIG. 2

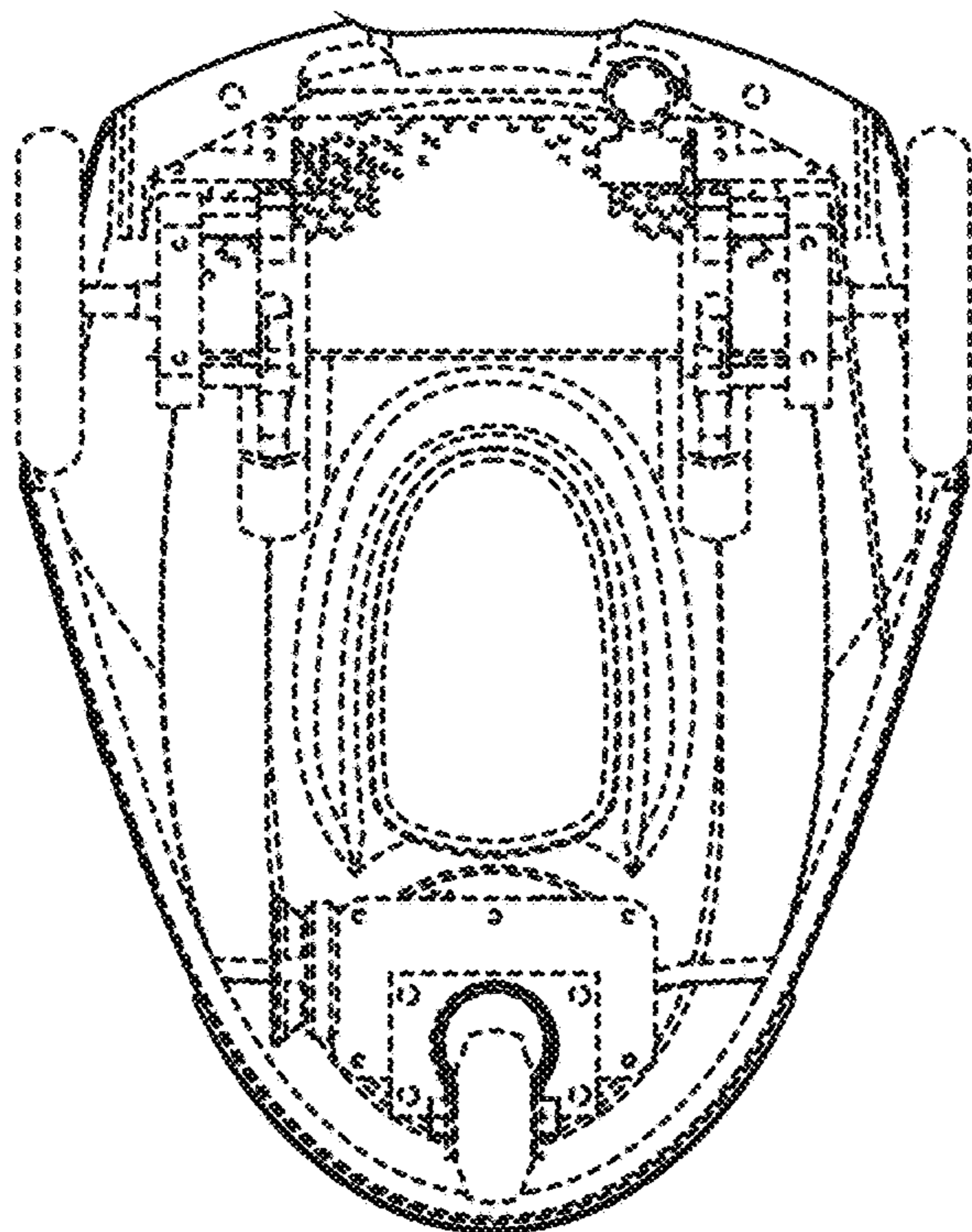


FIG. 3

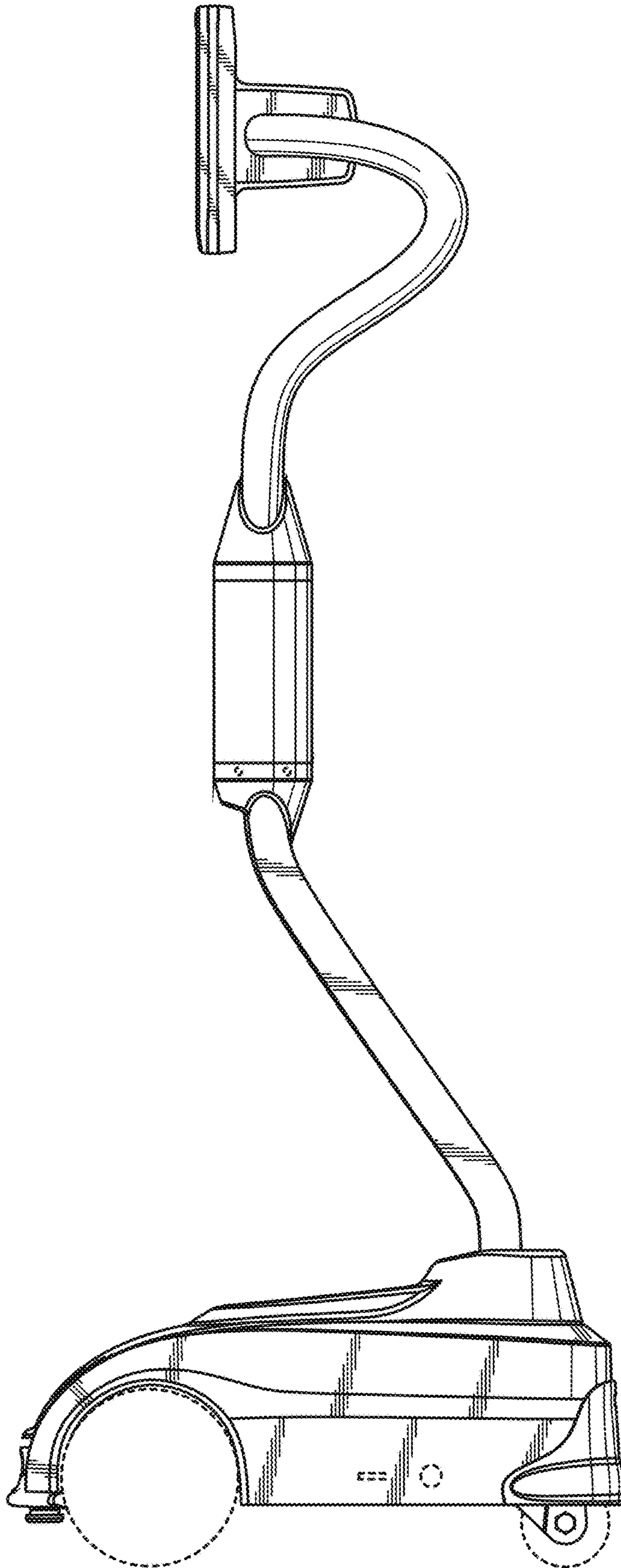


FIG. 4

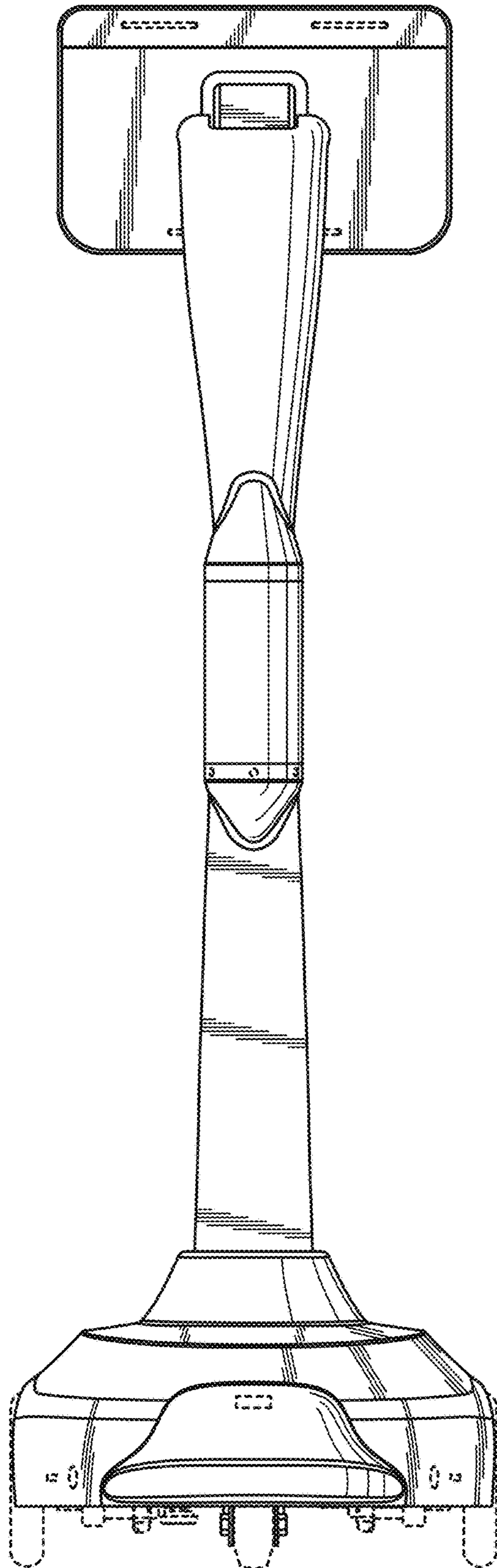


FIG. 5

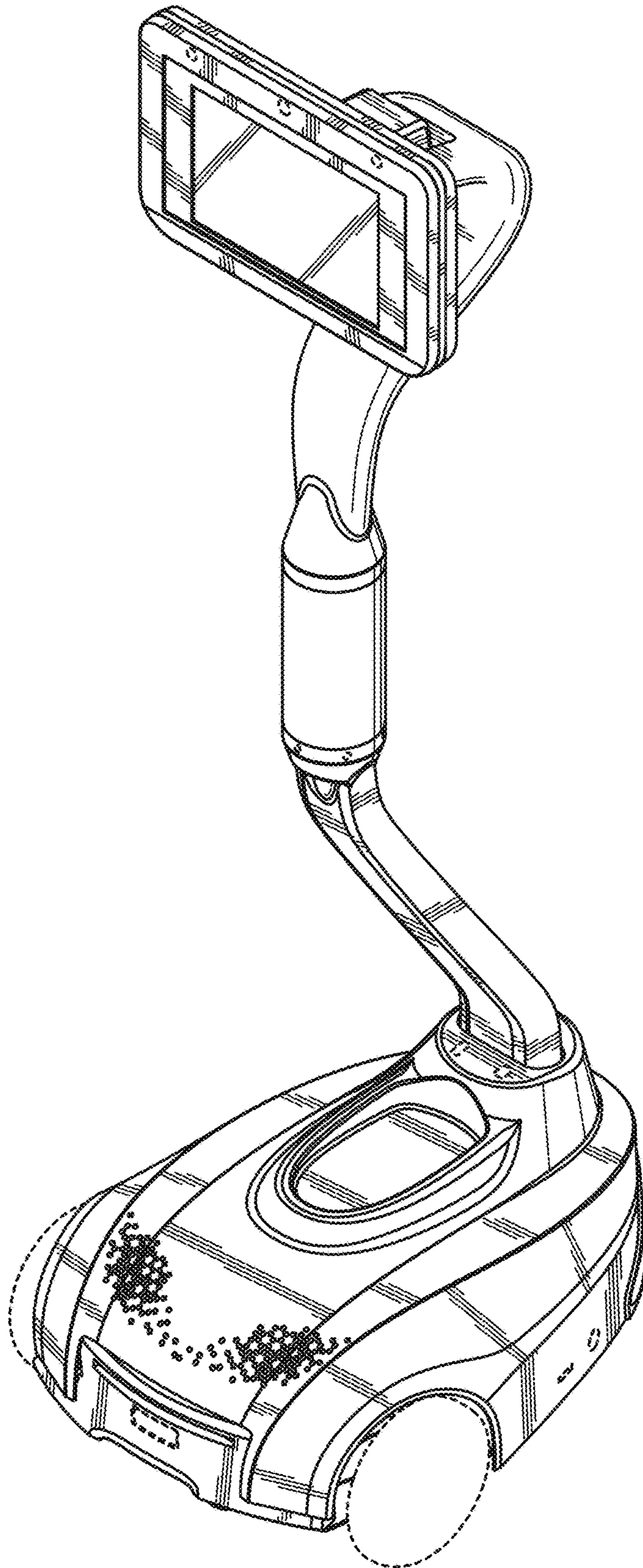


FIG. 6

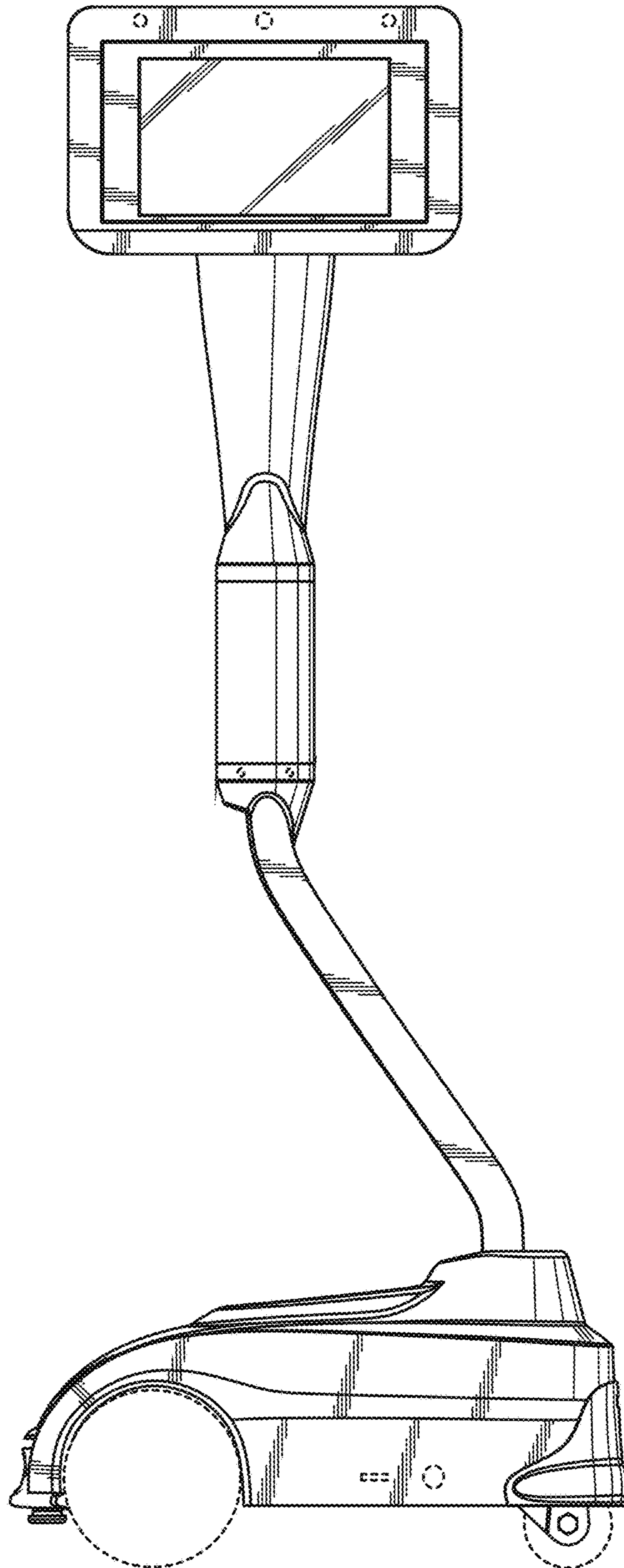


FIG. 7

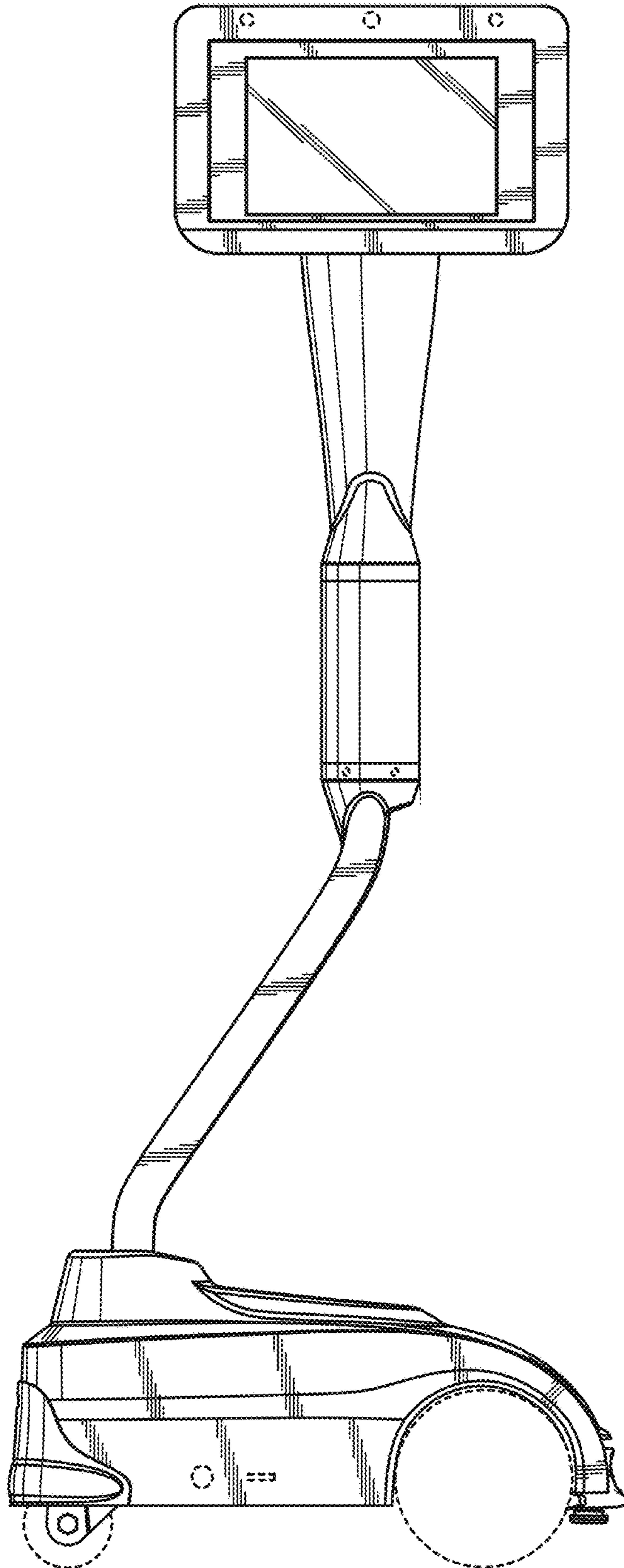


FIG. 8

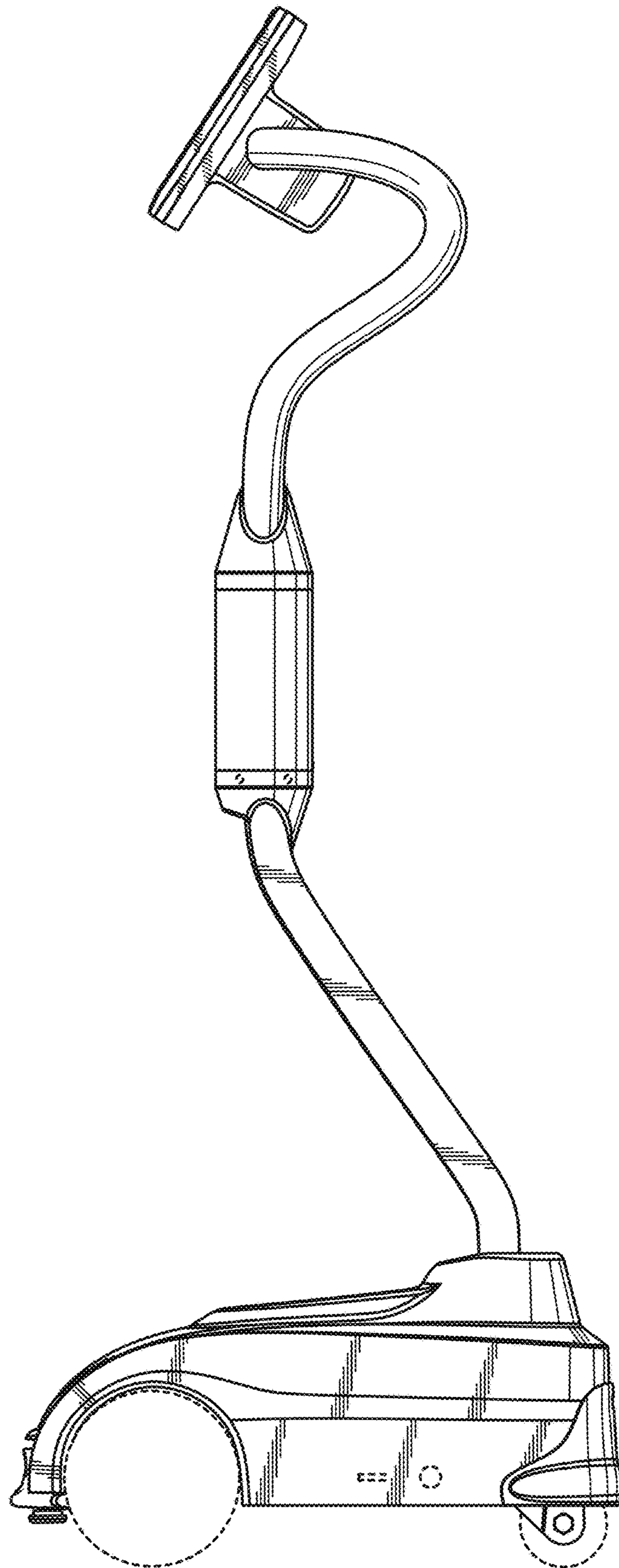


FIG. 9

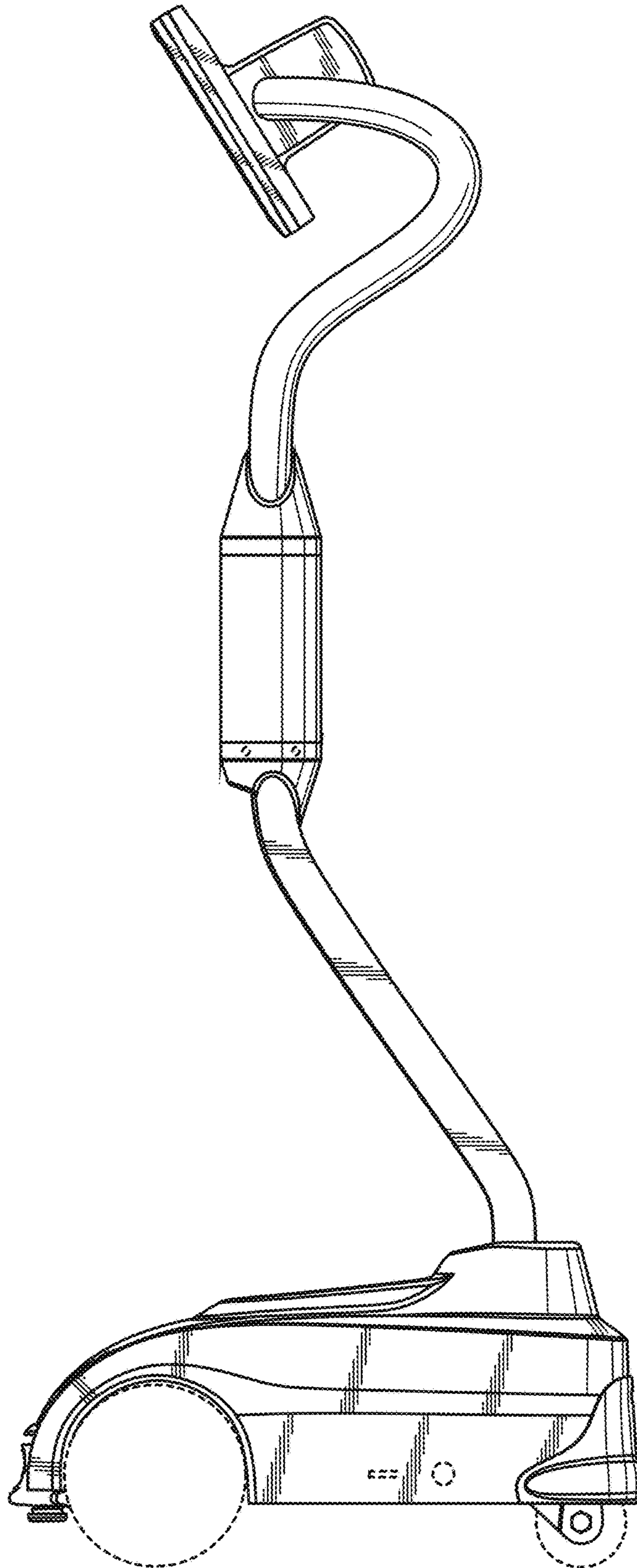


FIG. 10