



US00D829250S

(12) **United States Design Patent**
Zilbershtein et al.

(10) **Patent No.:** **US D829,250 S**

(45) **Date of Patent:** **** Sep. 25, 2018**

(54) **ROBOT**

(71) Applicant: **Robo-Team Home LTD**, Tel Aviv (IL)

(72) Inventors: **Guy Zilbershtein**, Givataim (IL); **Eran Vendrigger**, Tel Aviv (IL); **Yaron Hirsch**, Nes Ziona (IL); **Gil Burstein**, Gedera (IL)

(73) Assignee: **ROBO-TEAM HOME LTD**, Tel Aviv (IL)

(**) Term: **15 Years**

(21) Appl. No.: **29/610,977**

(22) Filed: **Jul. 18, 2017**

(30) **Foreign Application Priority Data**

Jul. 17, 2017 (IL) 60640

(51) **LOC (11) Cl.** **15-99**

(52) **U.S. Cl.**
USPC **D15/199**

(58) **Field of Classification Search**
USPC D15/199; D21/578-583, 621, 622
CPC B25J 5/007; B60B 19/006; B62D 57/024;
H01F 7/0221; Y10S 901/01
See application file for complete search history.

(56) **References Cited**

U.S. PATENT DOCUMENTS

D572,739 S * 7/2008 Jennings D15/199
D675,656 S * 2/2013 Sutherland D15/199
D719,620 S * 12/2014 Clerc B25J 5/007
D15/199

D726,836 S * 4/2015 Song D15/199
D732,096 S * 6/2015 Jang D15/199
D735,258 S * 7/2015 Jang D15/199
D760,675 S * 7/2016 Chalabi D14/125
D810,167 S * 2/2018 Yang D15/199
D810,800 S * 2/2018 Wang D15/199
D811,458 S * 2/2018 Wang D15/199
2008/0161672 A1 * 7/2008 Marar A61B 5/055
600/407
2012/0185095 A1 * 7/2012 Rosenstein B25J 5/007
700/259
2014/0009561 A1 * 1/2014 Sutherland B25J 5/007
348/14.05
2015/0081338 A1 * 3/2015 Lai G06Q 50/22
705/3
2016/0229058 A1 * 8/2016 Pinter G06Q 50/22
2016/0327383 A1 * 11/2016 Becker G01B 11/005
2017/0072558 A1 * 3/2017 Reynolds G05D 1/0246

* cited by examiner

Primary Examiner — Patricia A Palasik

(74) *Attorney, Agent, or Firm* — The Roy Gross Law Firm, LLC; Roy Gross

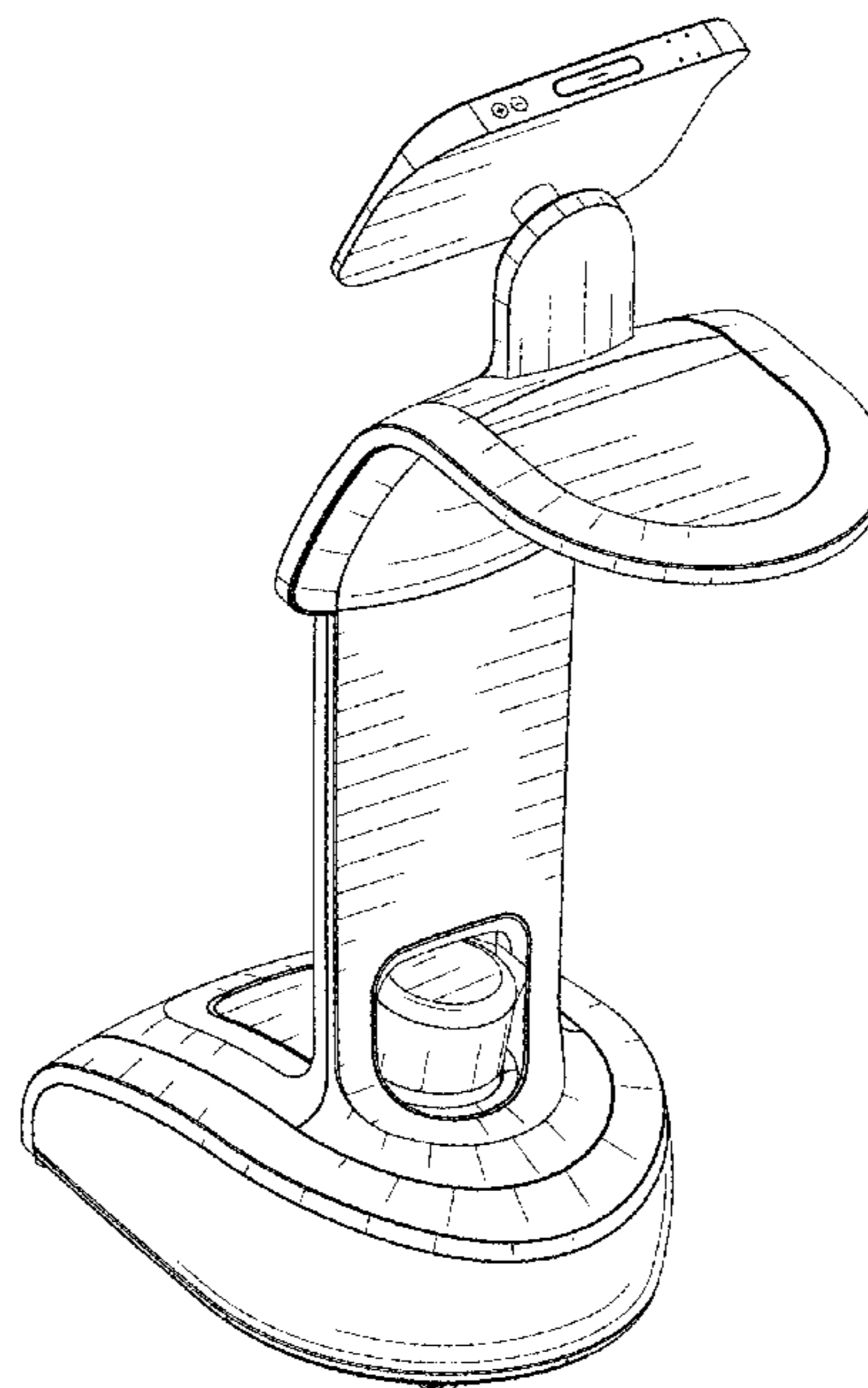
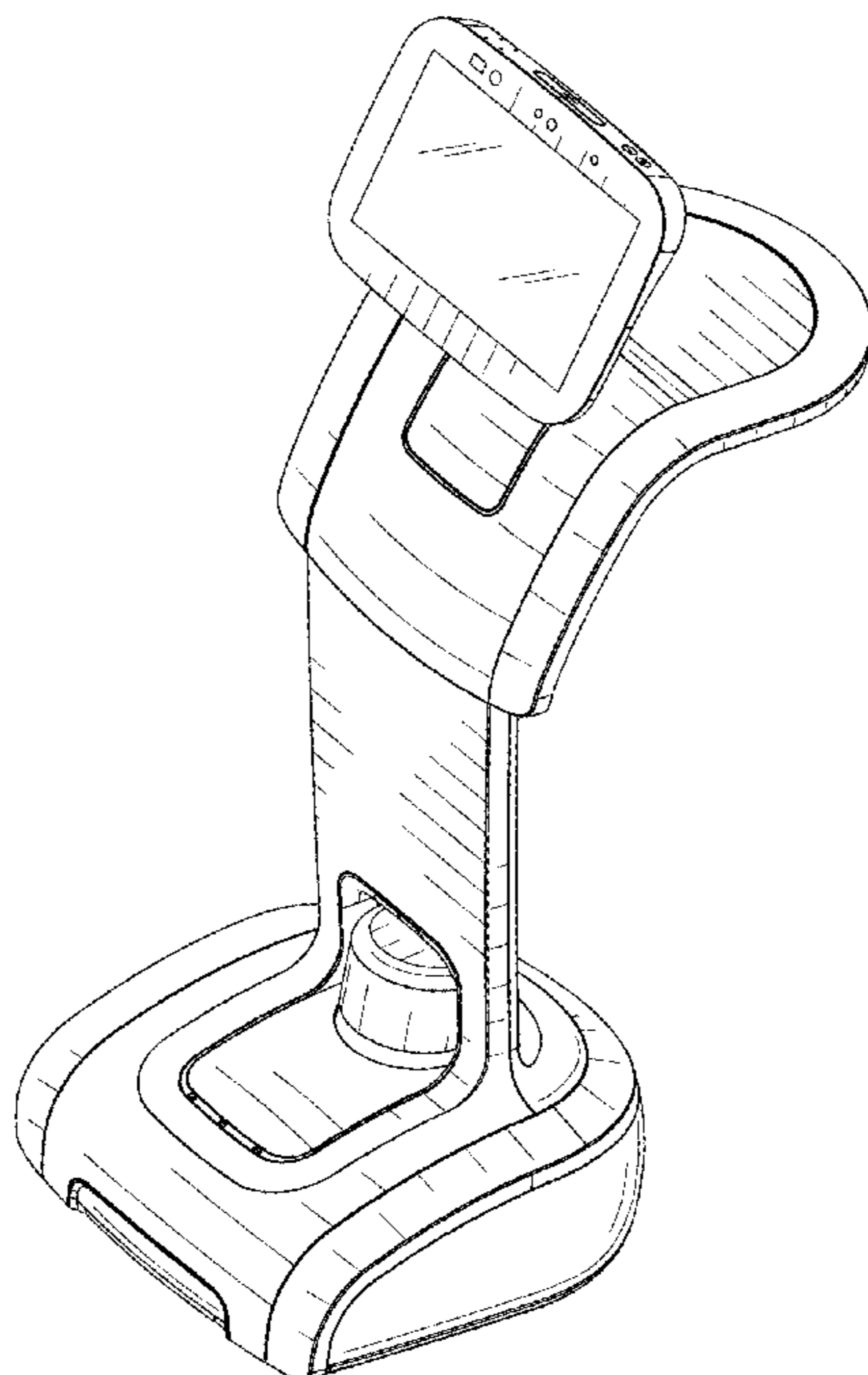
(57) **CLAIM**

The ornamental design for a robot, as shown and described.

DESCRIPTION

FIG. 1 is a front isometric view of a robot in accordance with the new design;
FIG. 2 is rear isometric view thereof;
FIG. 3 is a front view thereof;
FIG. 4 is a back view thereof;
FIG. 5 is a right side view thereof;
FIG. 6 is a left side view thereof; and,
FIG. 7 is a top view thereof.

1 Claim, 7 Drawing Sheets



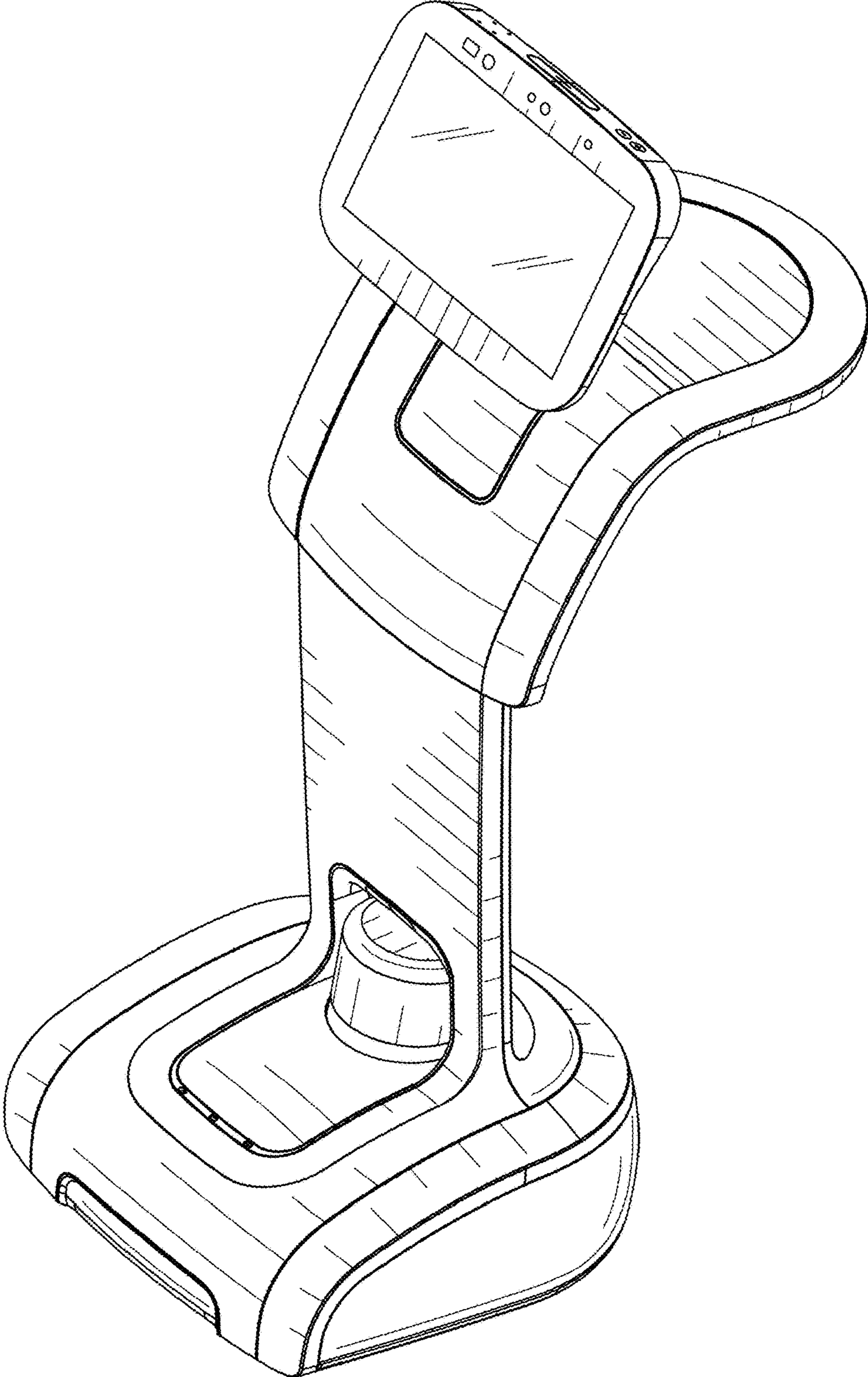


FIG.1

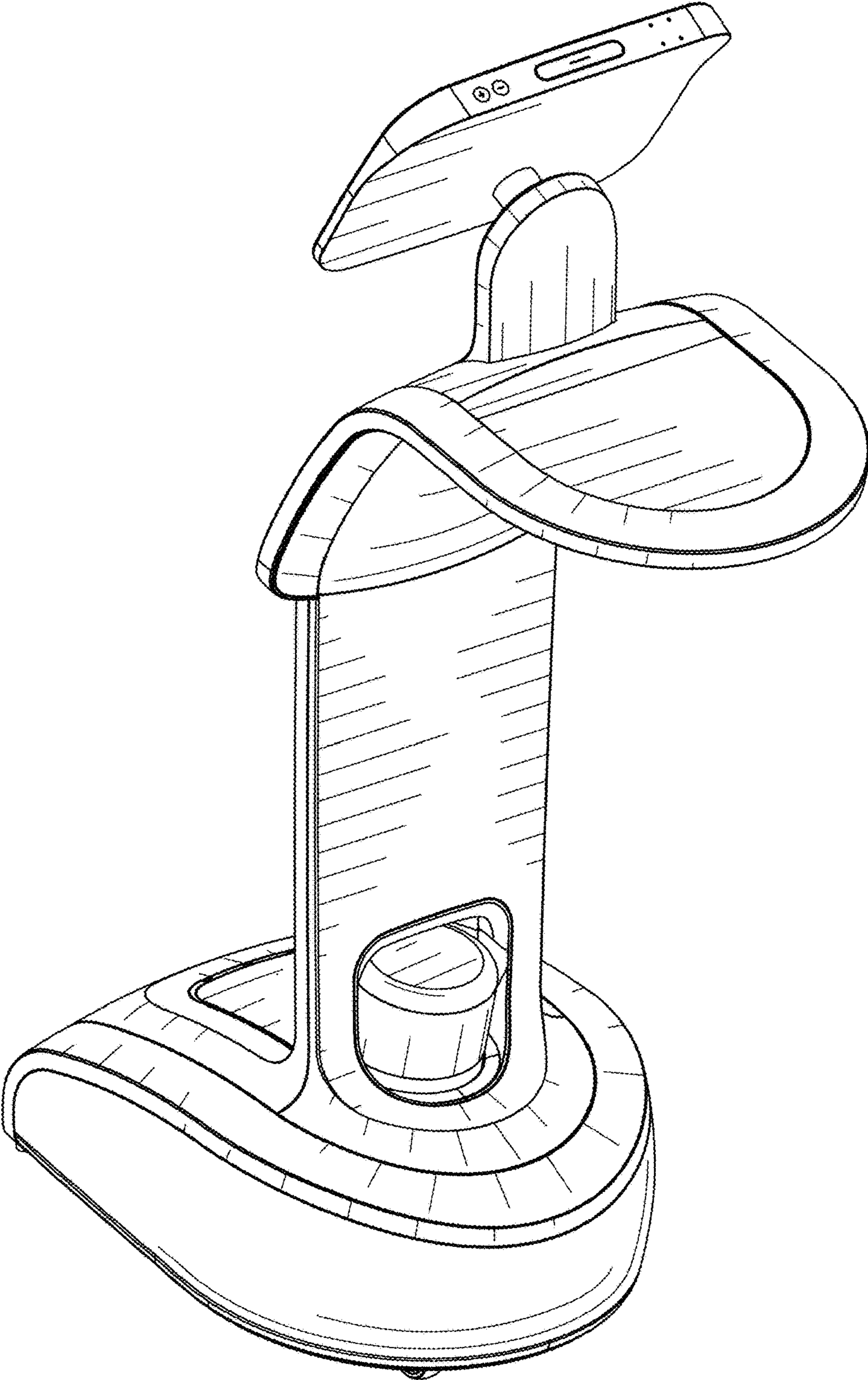


FIG.2

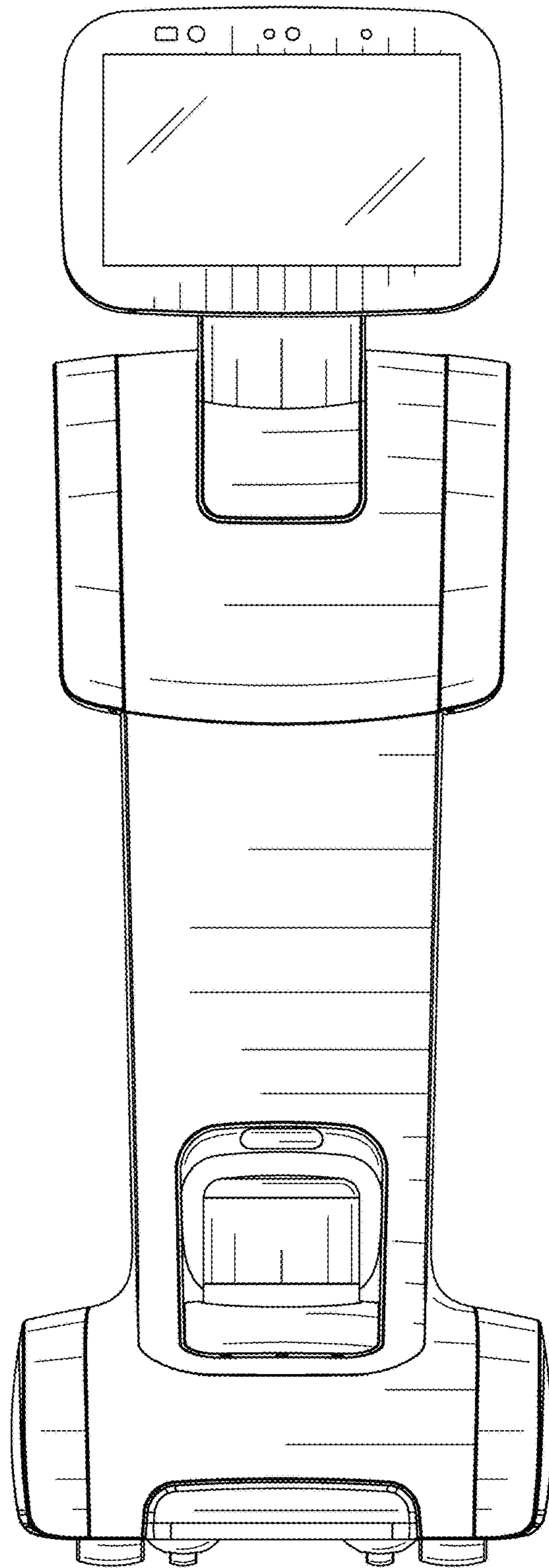


FIG. 3

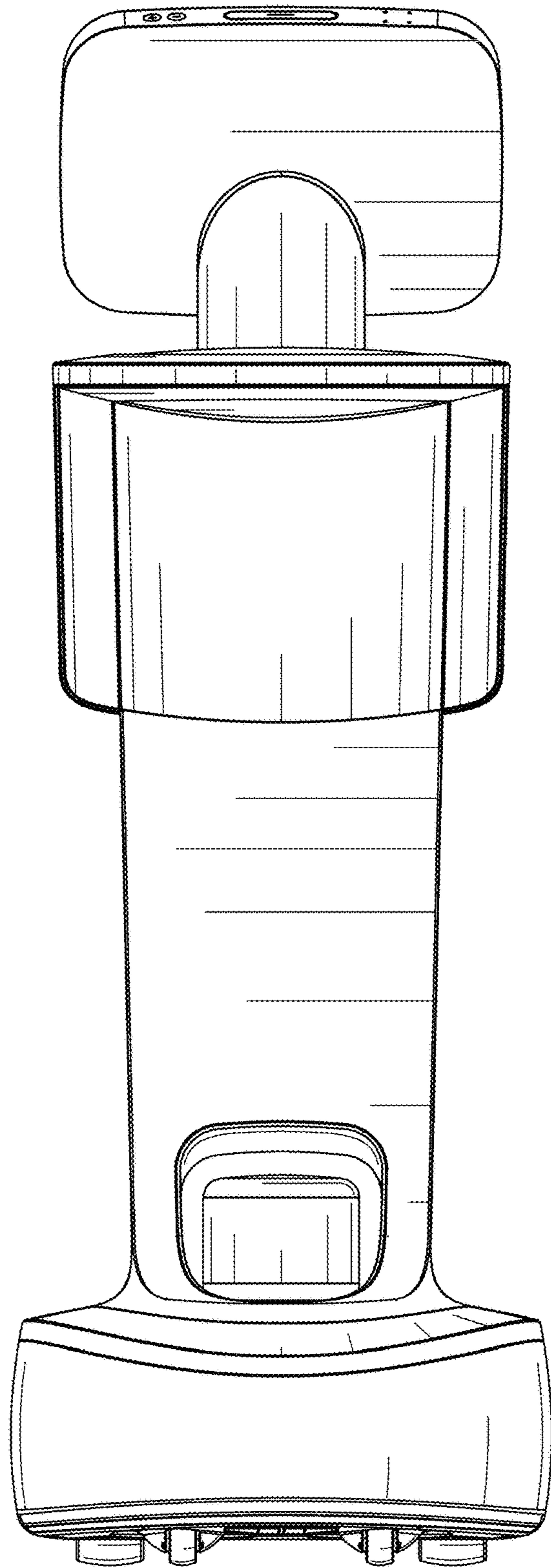


FIG. 4

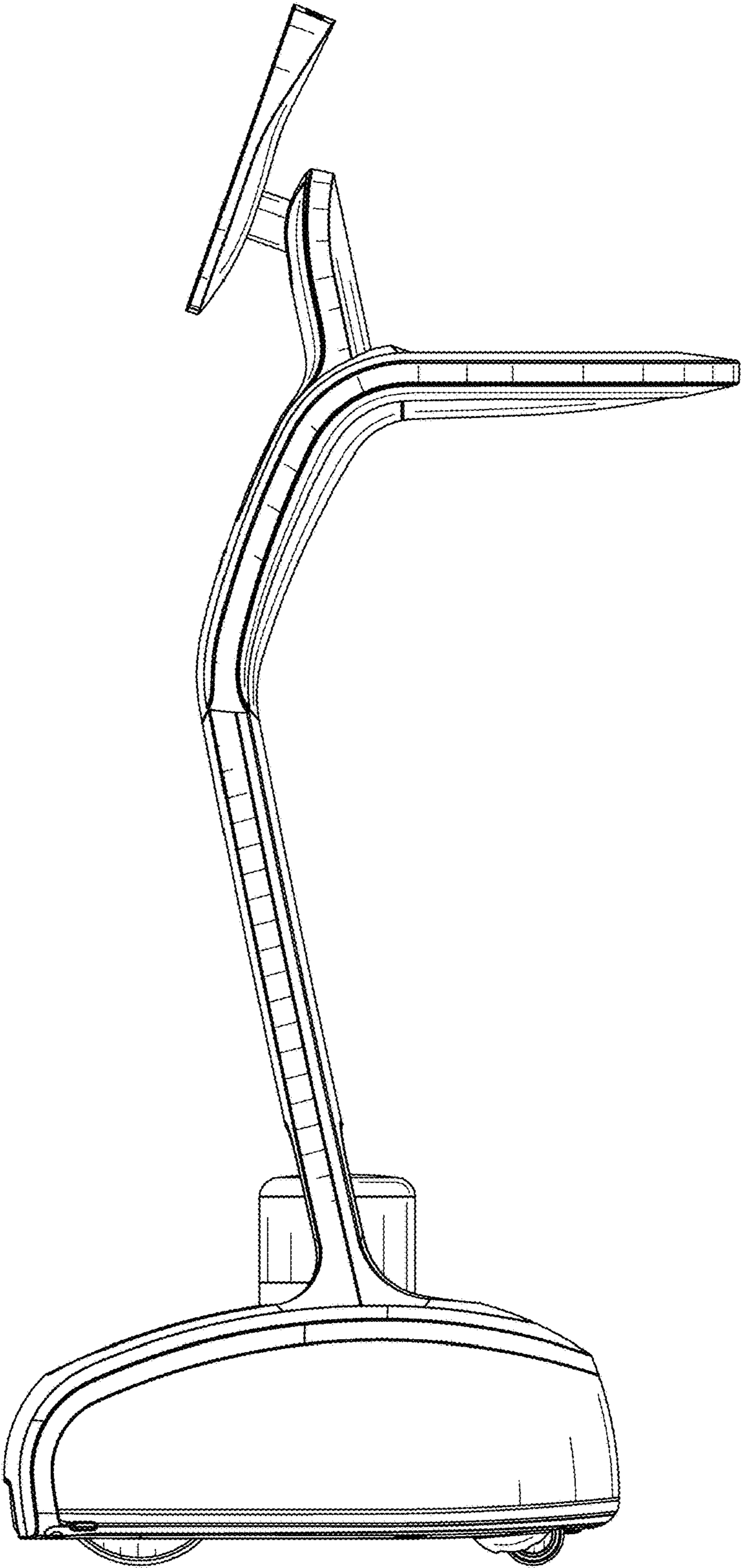


FIG. 5

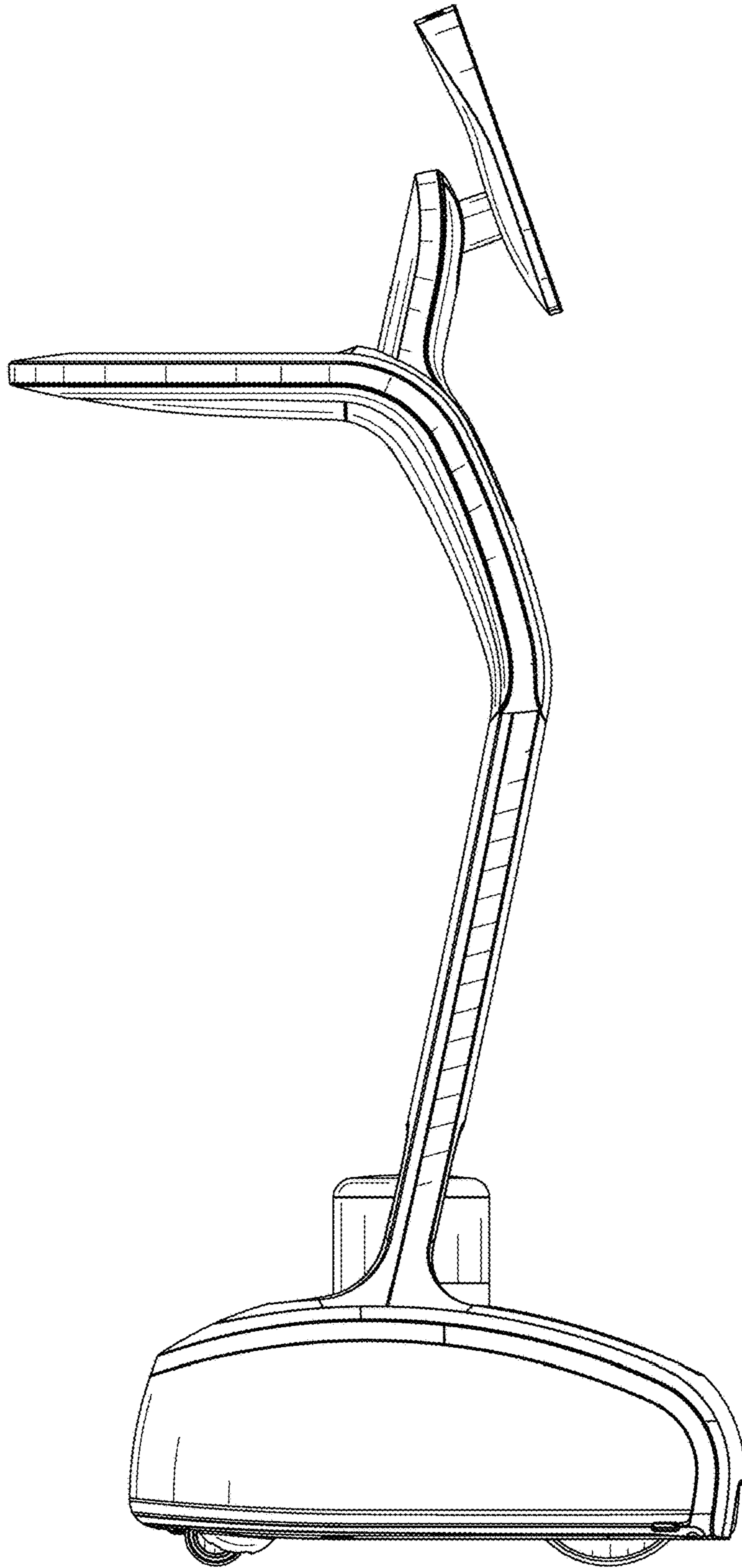


FIG. 6

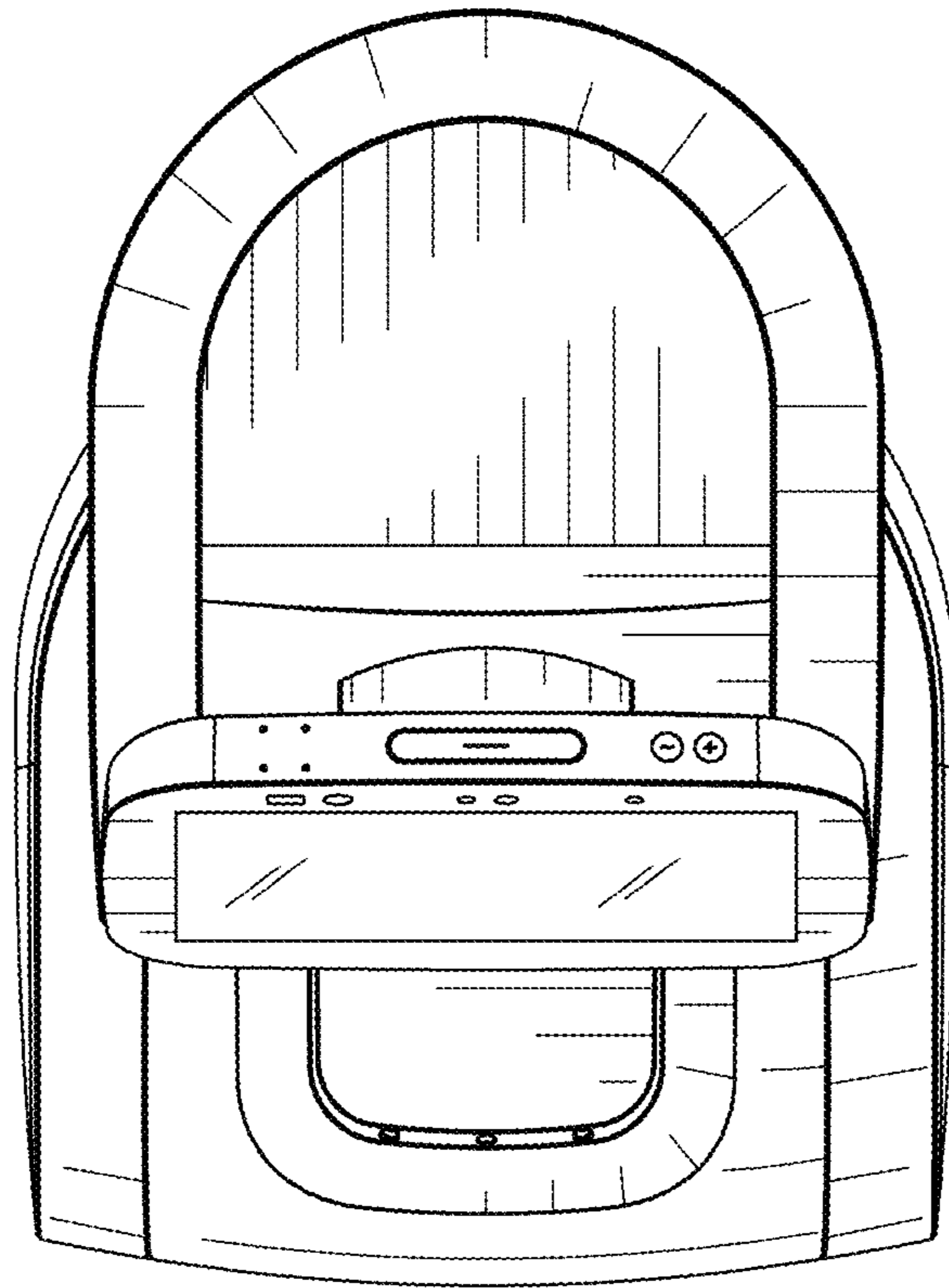


FIG. 7